



US00D623709S

(12) **United States Design Patent**  
**Serrano et al.**

(10) **Patent No.:** **US D623,709 S**  
(45) **Date of Patent:** **\*\* Sep. 14, 2010**

(54) **GOLF CLUB HEAD**  
(75) Inventors: **Anthony D. Serrano**, Anthem, AZ (US);  
**Xiaojian Chen**, Phoenix, AZ (US)  
(73) Assignee: **Karsten Manufacturing Corporation**,  
Phoenix, AZ (US)

5,320,353 A 6/1994 Moore  
5,324,031 A 6/1994 Green  
D356,846 S 3/1995 Murrill  
5,482,281 A 1/1996 Anderson  
5,580,058 A 12/1996 Coughlin

(Continued)

(\*\*) Term: **14 Years**  
(21) Appl. No.: **29/358,703**  
(22) Filed: **Mar. 31, 2010**

**OTHER PUBLICATIONS**

Serrano, et al., "Golf Club Head," U.S. Appl. No. 29/358,700, filed Mar. 31, 2010.

(Continued)

*Primary Examiner*—Mitchell I Siegel

(51) **LOC (9) Cl.** ..... **21-02**  
(52) **U.S. Cl.** ..... **D21/736**  
(58) **Field of Classification Search** ..... D21/736-746,  
D21/759; 473/324-331, 341-342, 251-256  
See application file for complete search history.

(57) **CLAIM**

The ornamental design for a golf club head, as shown and described.

(56) **References Cited**

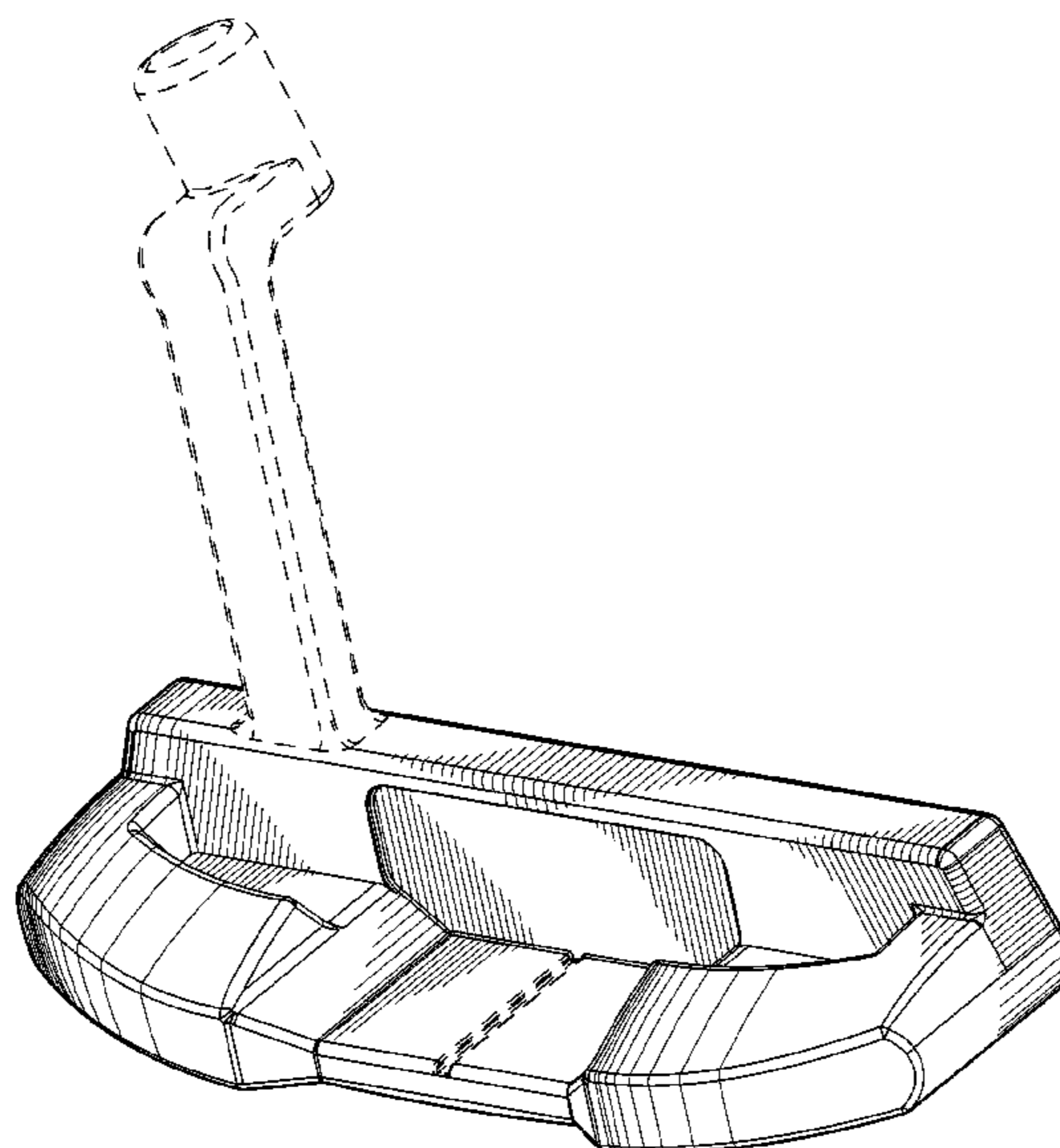
**DESCRIPTION**

**U.S. PATENT DOCUMENTS**

1,897,264 A	2/1933	Lamb
1,901,562 A	3/1933	Main
2,014,829 A	9/1935	Young
2,486,952 A	11/1949	Kearsley et al.
3,042,405 A	7/1962	Solheim
D235,668 S	7/1975	Swash
3,954,265 A	5/1976	Taylor
4,222,566 A	9/1980	Berry
4,390,184 A	6/1983	Rudell
4,695,054 A	9/1987	Tunstall
4,714,252 A	12/1987	Roraback
4,722,528 A	2/1988	Tsao
4,741,535 A	5/1988	Leonhardt
4,834,387 A	5/1989	Waites et al.
D324,555 S	3/1992	Evans
D333,331 S	2/1993	Evans
5,211,401 A	5/1993	Hainey
D342,112 S	12/1993	Diesterheft
5,320,346 A	6/1994	Phillips

FIG. 1 is a top perspective view of a golf club head;  
FIG. 2 is a bottom perspective view of the golf club head of FIG. 1;  
FIG. 3 is a rear perspective view of the golf club head of FIG. 1;  
FIG. 4 is a bottom view of the golf club head of FIG. 1;  
FIG. 5 is a front elevational view of the golf club head of FIG. 1;  
FIG. 6 is a rear elevational view of the golf club head of FIG. 1;  
FIG. 7 is a left side view of the golf club head of FIG. 1; and,  
FIG. 8 is a right side view of the golf club head of FIG. 1.  
The broken lines shown in one or more of the figures are for illustrative purposes only and form no part of the claimed design.

**1 Claim, 4 Drawing Sheets**



# US D623,709 S

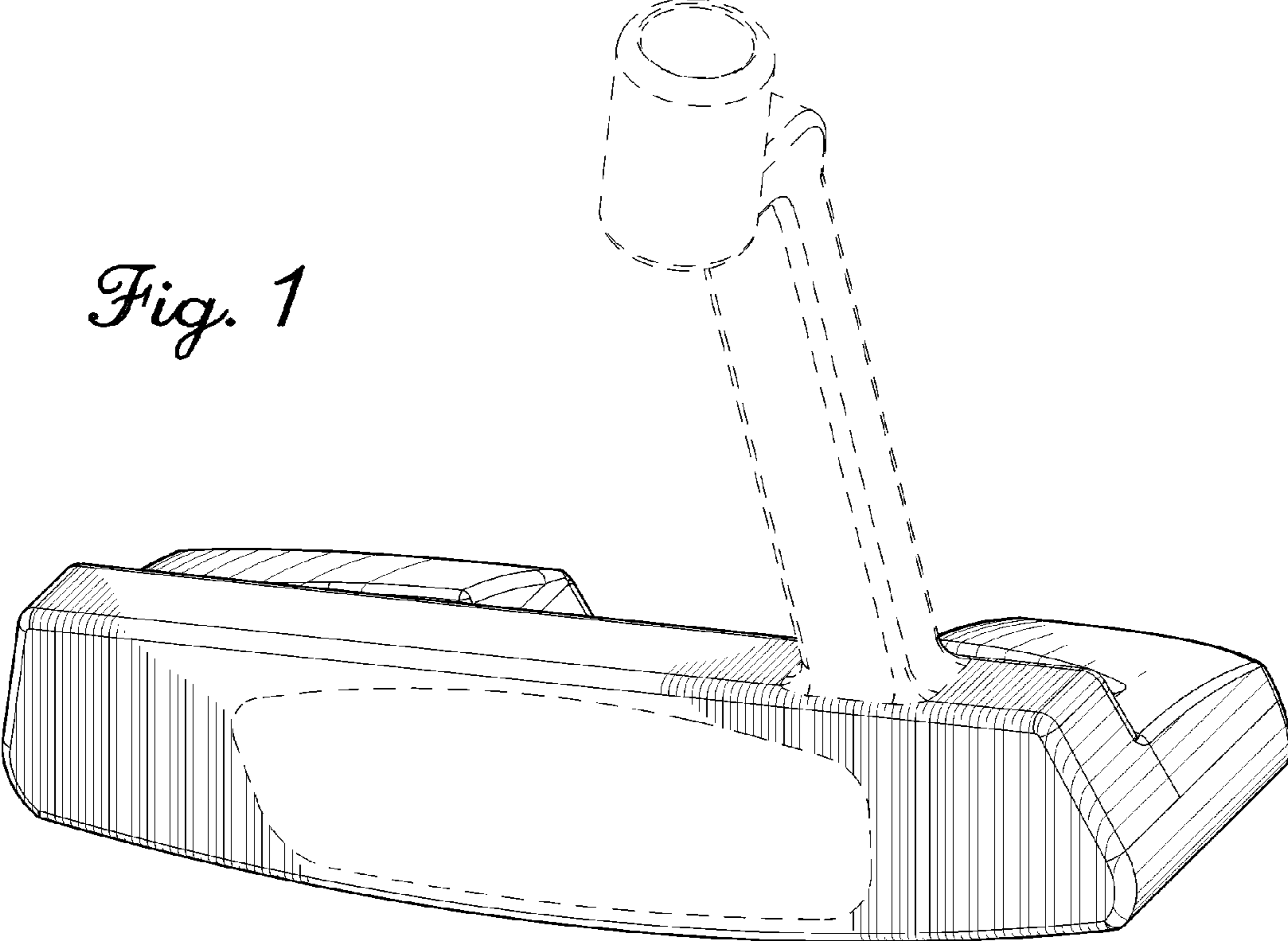
Page 2

## U.S. PATENT DOCUMENTS

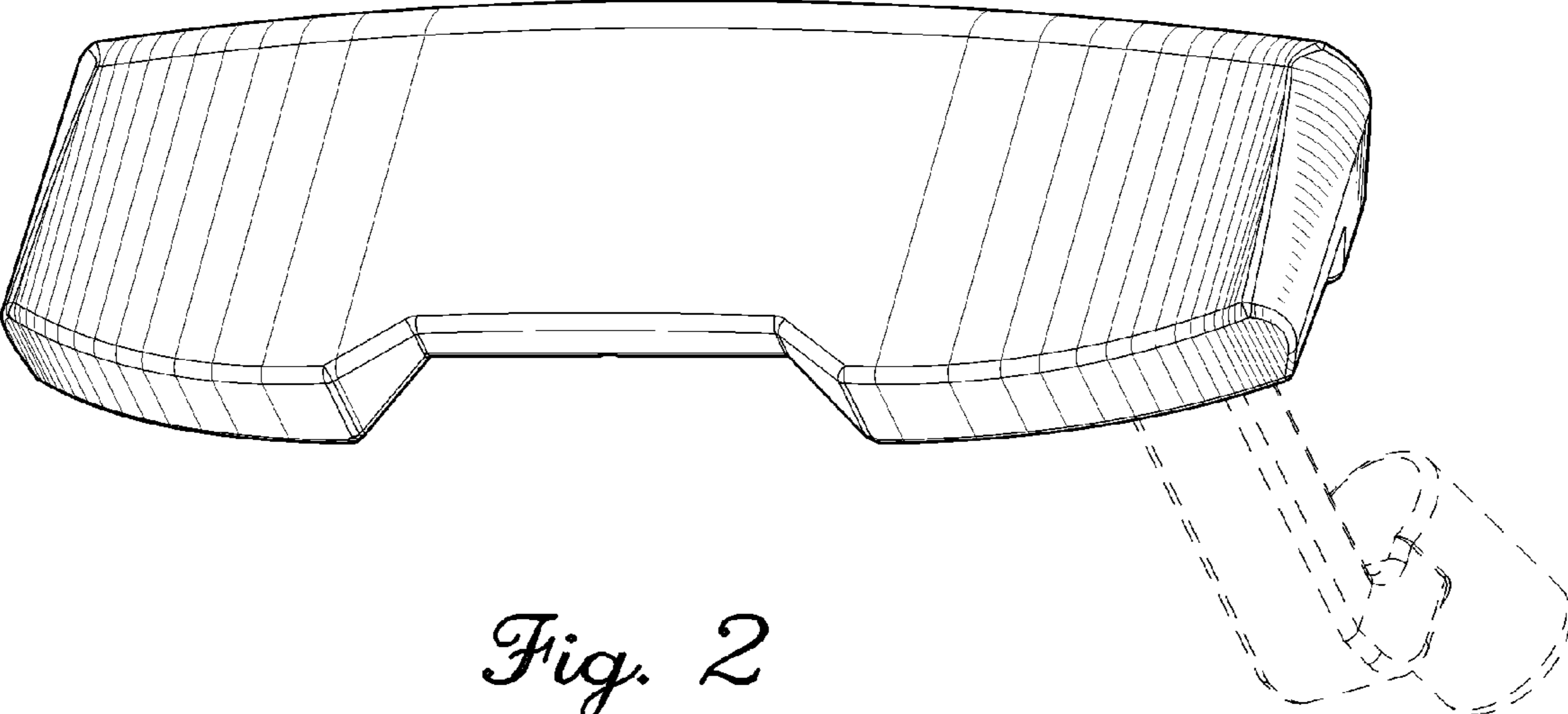
5,716,290	A	2/1998	Baker et al.	D574,908	S	8/2008 Hettinger et al.
5,820,481	A	10/1998	Raudman	D575,366	S	8/2008 Rollinson
6,402,638	B1	6/2002	Kelley	D577,398	S	9/2008 Hilton
D477,041	S	7/2003	Cameron	D579,505	S	10/2008 Jones
6,634,956	B1	10/2003	Pegg	7,455,599	B2	11/2008 Jones
6,663,497	B2	12/2003	Cameron	D582,497	S	12/2008 Rollinson
D488,200	S	4/2004	Olsavsky et al.	D585,510	S	1/2009 Murrieta
D494,237	S	8/2004	Ware	7,481,713	B2	1/2009 Beckman
D499,778	S	12/2004	Cameron	D587,325	S	2/2009 Solheim et al.
D500,109	S	12/2004	Solheim et al.	D590,035	S	4/2009 Hilton
D500,110	S	12/2004	Solheim et al.	D590,461	S	4/2009 Kim et al.
D500,539	S	1/2005	Holloway	D591,371	S	4/2009 Hilton
D502,234	S	2/2005	Grace	D591,372	S	4/2009 Tang et al.
D502,748	S	3/2005	Burrows	D591,806	S	5/2009 Cameron
D505,702	S	5/2005	Wood	D591,807	S	5/2009 Rollinson
D506,796	S	6/2005	Li	D592,717	S	5/2009 Rollinson
D507,613	S	7/2005	Baiocchi	D594,073	S	6/2009 Kadoya
D508,273	S	8/2005	Garner et al.	D594,517	S	6/2009 Tang et al.
D510,394	S	10/2005	Tang et al.	D594,917	S	6/2009 Stellander
6,960,140	B2	11/2005	Solheim et al.	D595,372	S	6/2009 Rollinson
6,966,845	B2	11/2005	Solheim et al.	D595,373	S	6/2009 Kim et al.
D514,182	S	1/2006	Olsavsky et al.	D595,793	S	7/2009 Rollinson
D515,646	S	2/2006	Perry	D596,685	S	7/2009 Wallans
7,004,849	B2	2/2006	Cameron	D599,423	S	9/2009 Serrano et al.
D517,143	S	3/2006	Petsel et al.	D599,424	S	9/2009 Serrano et al.
D518,127	S	3/2006	Tang et al.	D599,425	S	9/2009 Laub
D520,583	S	5/2006	Rollinson et al.	D599,868	S	9/2009 Serrano et al.
D521,582	S	5/2006	Souza et al.	D599,869	S	9/2009 Serrano et al.
7,052,411	B2	5/2006	Solheim et al.	D599,870	S	9/2009 Serrano et al.
D522,598	S	6/2006	Solheim et al.	D600,298	S	9/2009 Serrano et al.
7,077,758	B2	7/2006	Rohrer	D600,760	S	9/2009 Serrano et al.
D527,777	S	9/2006	Solheim et al.	D600,761	S	9/2009 Solheim et al.
D529,560	S	10/2006	Madore	D600,762	S	9/2009 Serrano et al.
D532,842	S	11/2006	Jones et al.	D601,214	S *	9/2009 Serrano et al. .... D21/736
D532,843	S	11/2006	Jones et al.	D603,008	S	10/2009 Donahue
D532,845	S	11/2006	Rollinson	7,601,076	B2	10/2009 Rollinson
D532,846	S	11/2006	Lee et al.	D606,139	S	12/2009 Ines et al.
D533,243	S	12/2006	Fife, Jr. et al.	7,645,199	B2	1/2010 Cameron
D533,609	S	12/2006	Moore et al.	2003/0228925	A1	12/2003 Rohrer
7,147,569	B2	12/2006	Tang et al.	2007/0021229	A1	1/2007 Haack
D534,974	S	1/2007	Haack	2007/0049402	A1	3/2007 Sanchez et al.
D536,400	S	2/2007	DiBattista, Sr.	2007/0298904	A1	12/2007 Dworzan
D537,135	S	2/2007	Rollinson et al.	2009/0029800	A1	1/2009 Jones et al.
D539,860	S	4/2007	Fussell	2009/0105008	A1	4/2009 Kuan et al.
D542,873	S	5/2007	Oldknow et al.	2009/0170629	A1	7/2009 Hilton
D545,385	S	6/2007	Tang et al.	2009/0270196	A1	10/2009 Solheim et al.
D548,295	S	8/2007	Jertson et al.	2009/0270198	A1	10/2009 Solheim et al.
7,255,650	B2	8/2007	Braynt et al.	2009/0305806	A1	12/2009 Campadore et al.
D552,197	S	10/2007	Wells et al.	2009/0305807	A1	12/2009 Solheim et al.
D557,361	S	12/2007	Rollinson			
7,326,121	B2	2/2008	Roake	OTHER PUBLICATIONS		
D564,606	S	3/2008	Oldknow et al.	Serrano et al., "Golf Club Head," U.S. Appl. No. 29/358,701, filed Mar. 31, 2010.		
D564,607	S	3/2008	Oldknow et al.	Serrano et al., "Golf Club Head," U.S. Appl. No. 29/358,702, filed Mar. 31, 2010.		
D565,138	S	3/2008	Wilson	Serrano et al., "Golf Club Head," U.S. Appl. No. 29/358,704, filed Mar. 31, 2010.		
D569,461	S	5/2008	Morris	Serrano et al., "Golf Club Head," U.S. Appl. No. 29/358,707, filed Mar. 31, 2010.		
D569,462	S	5/2008	Rollinson	Serrano et al., "Golf Club Head," U.S. Appl. No. 29/358,709, filed Mar. 31, 2010.		
D571,877	S *	6/2008	Jones et al. .... D21/736			
D571,879	S	6/2008	Jones et al.			
7,390,267	B2	6/2008	Grace			
D573,673	S	7/2008	Noyes			
D574,906	S *	8/2008	Jones et al. .... D21/736			
D574,907	S	8/2008	Jones et al.			

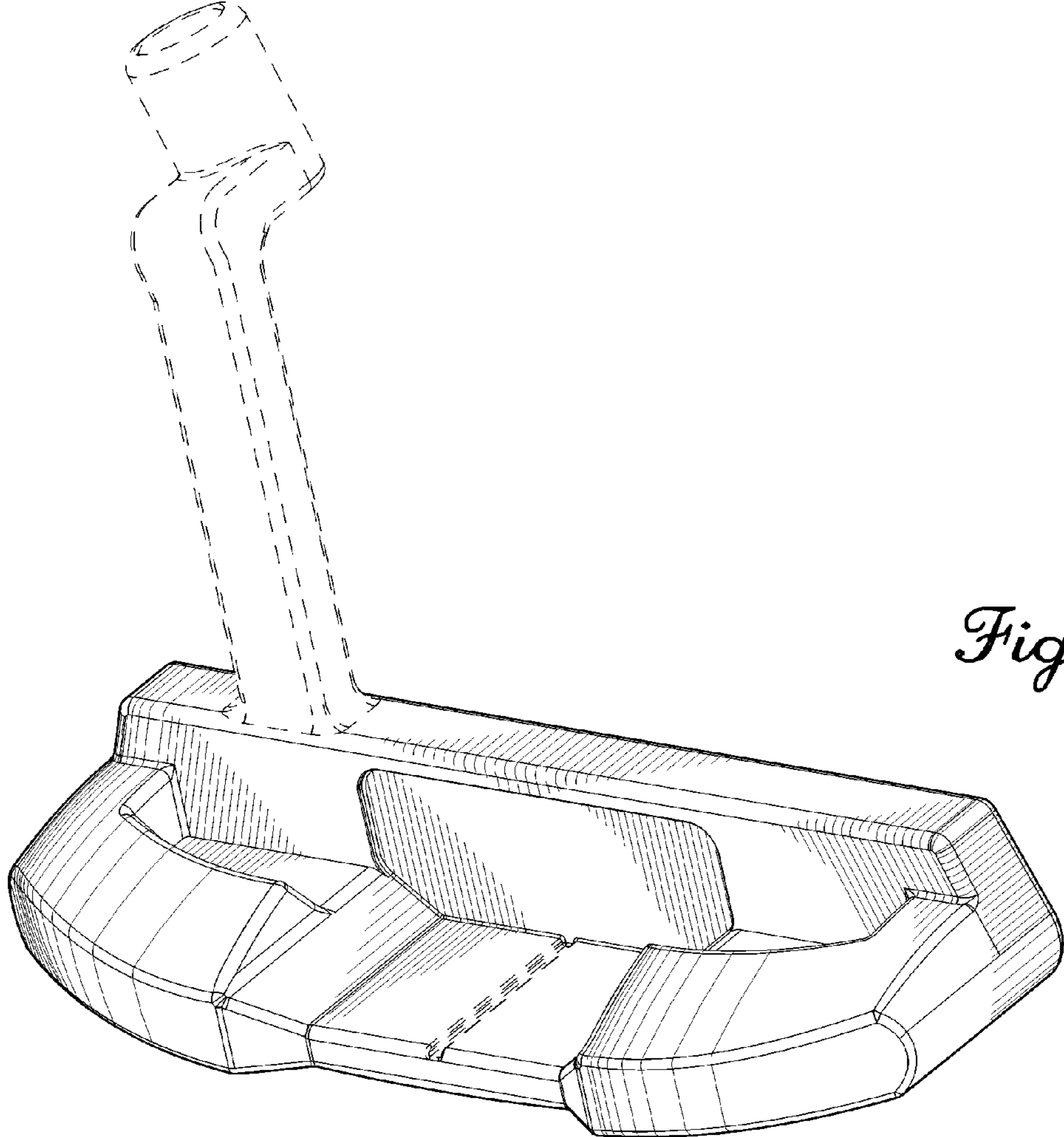
\* cited by examiner

*Fig. 1*

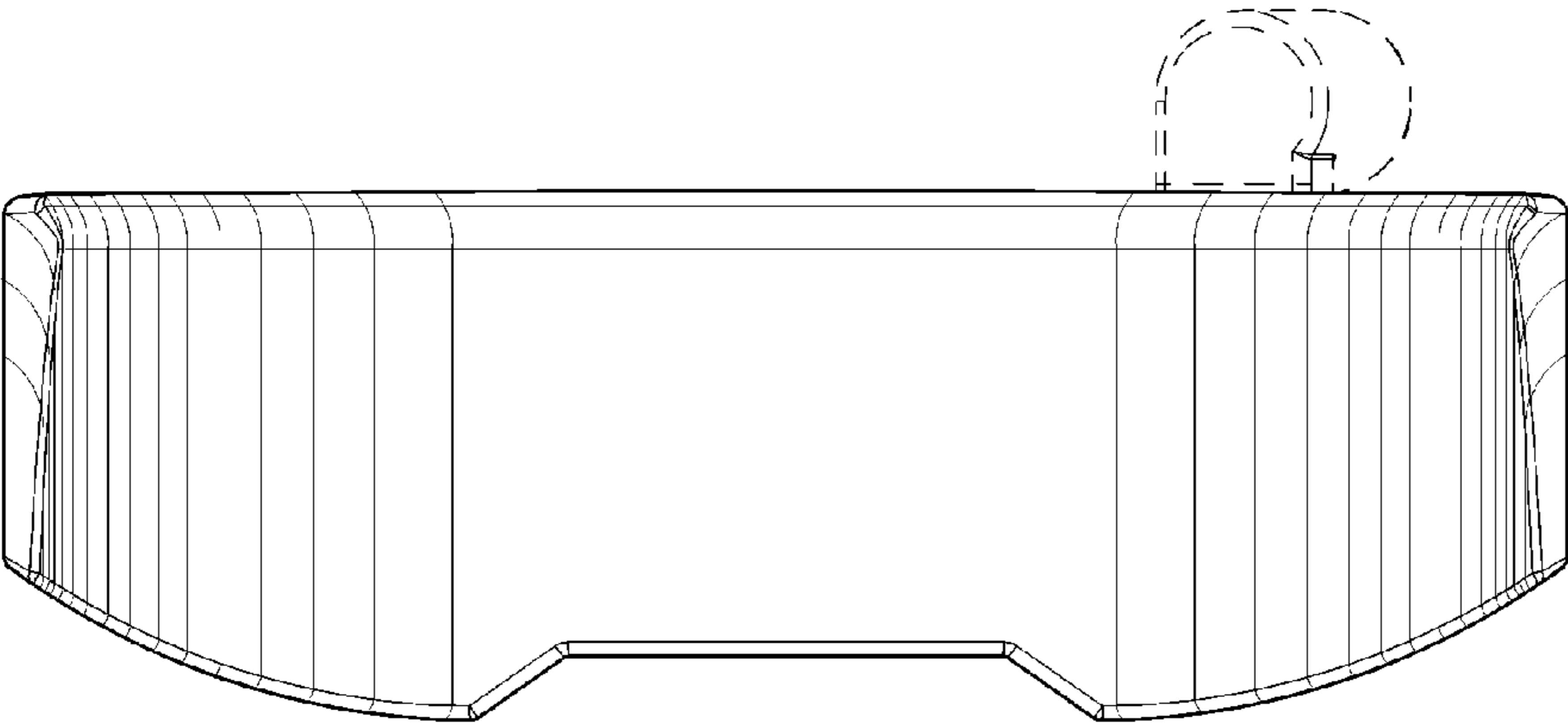


*Fig. 2*

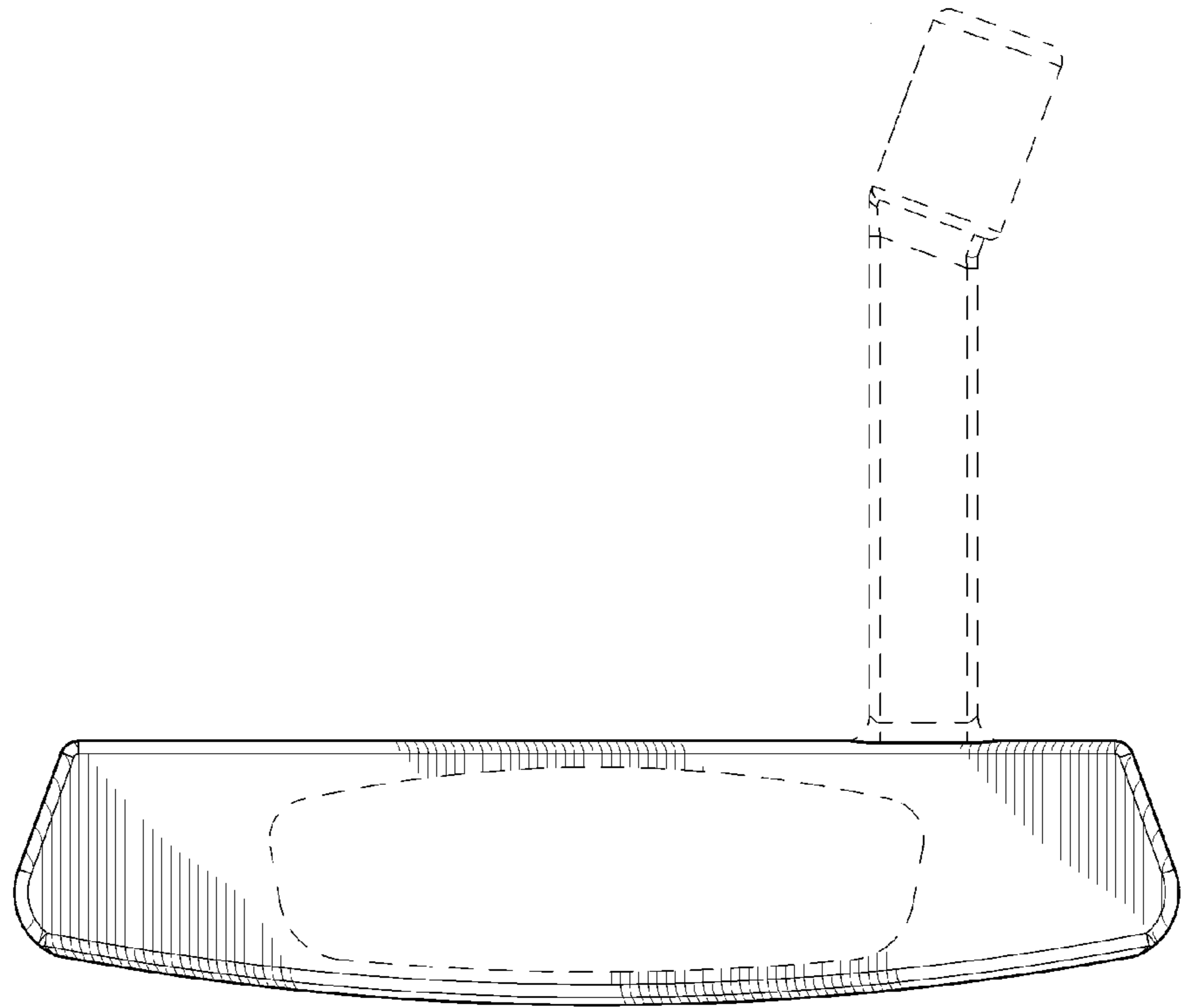




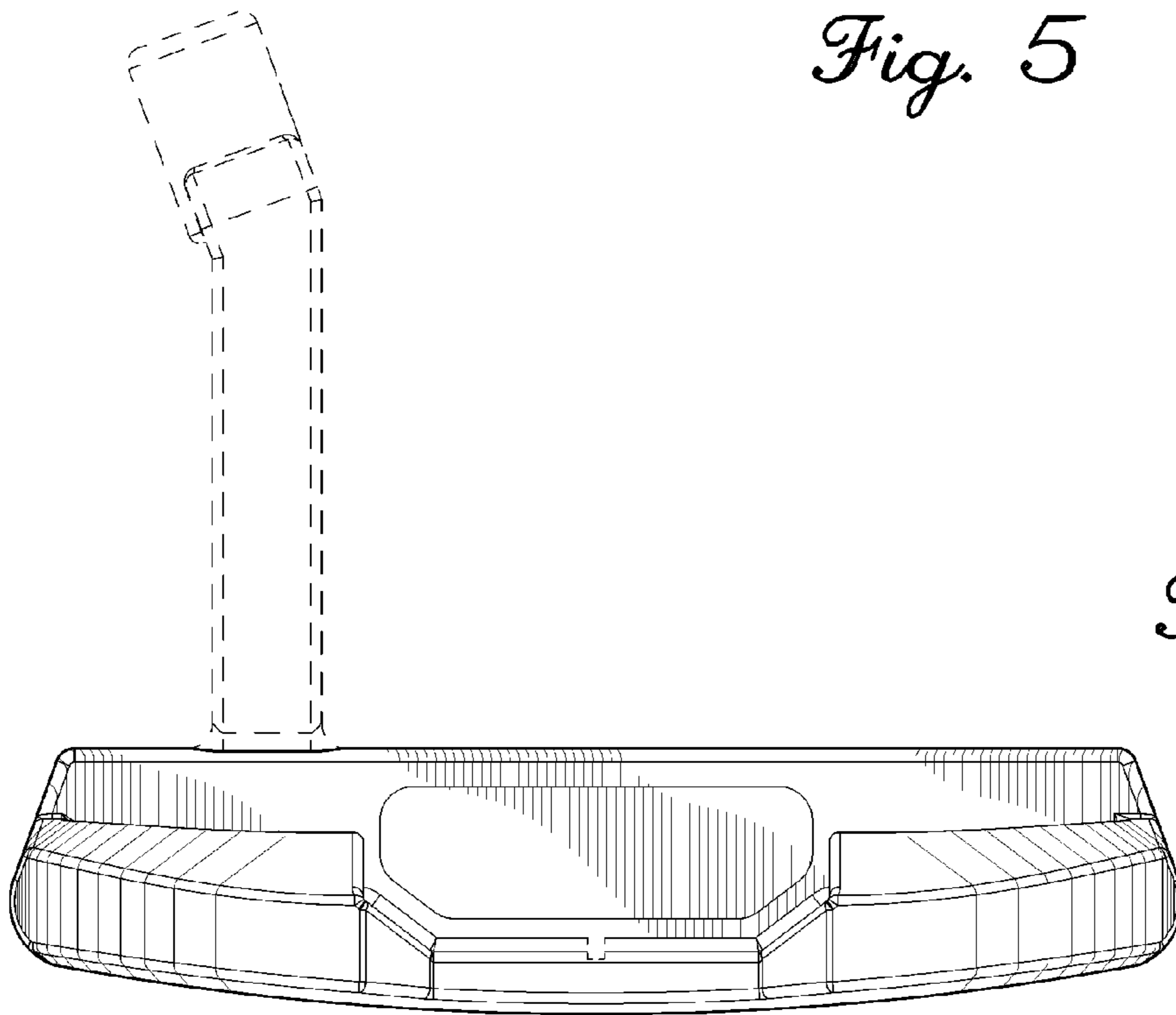
*Fig. 3*



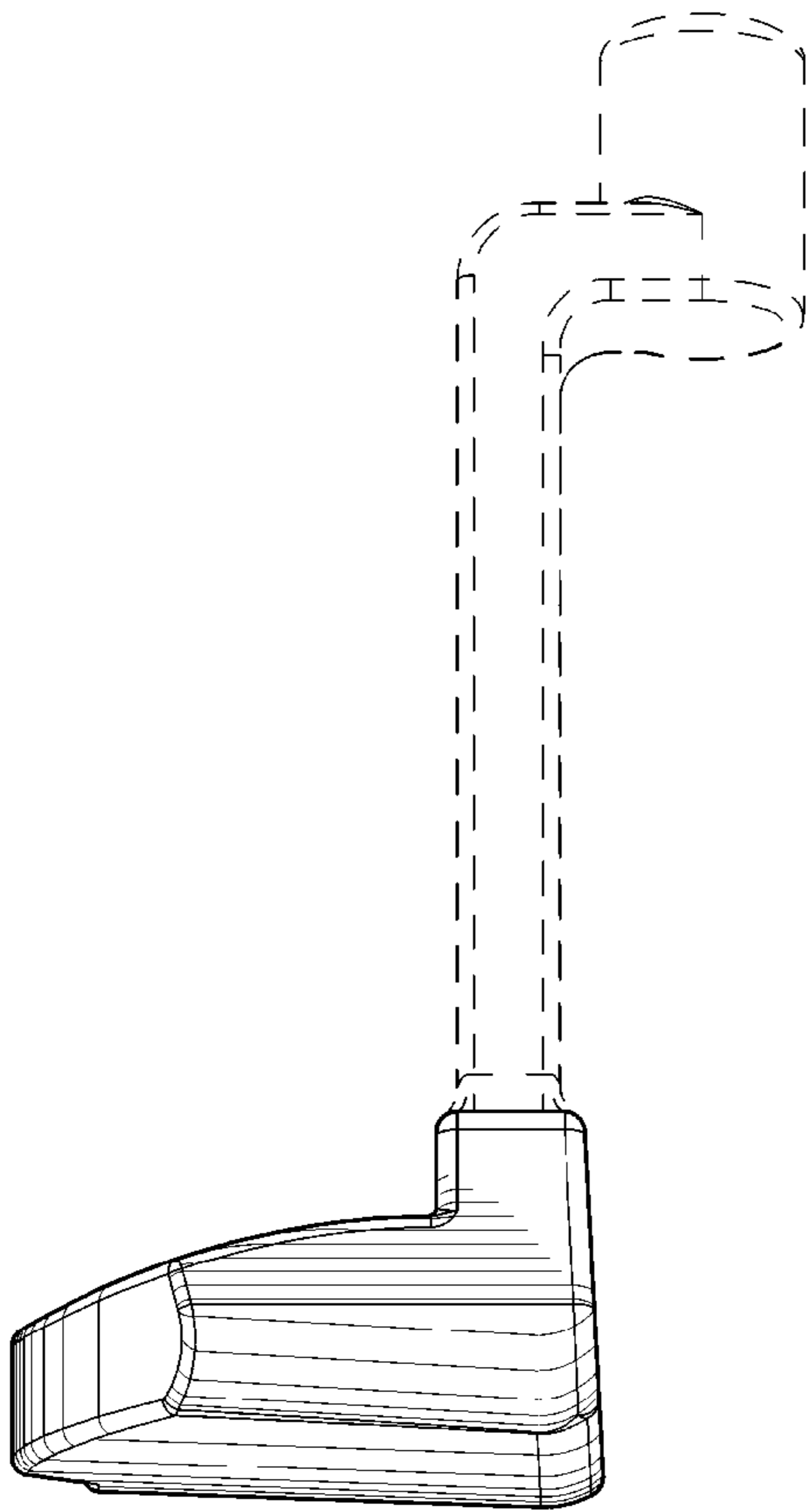
*Fig. 4*



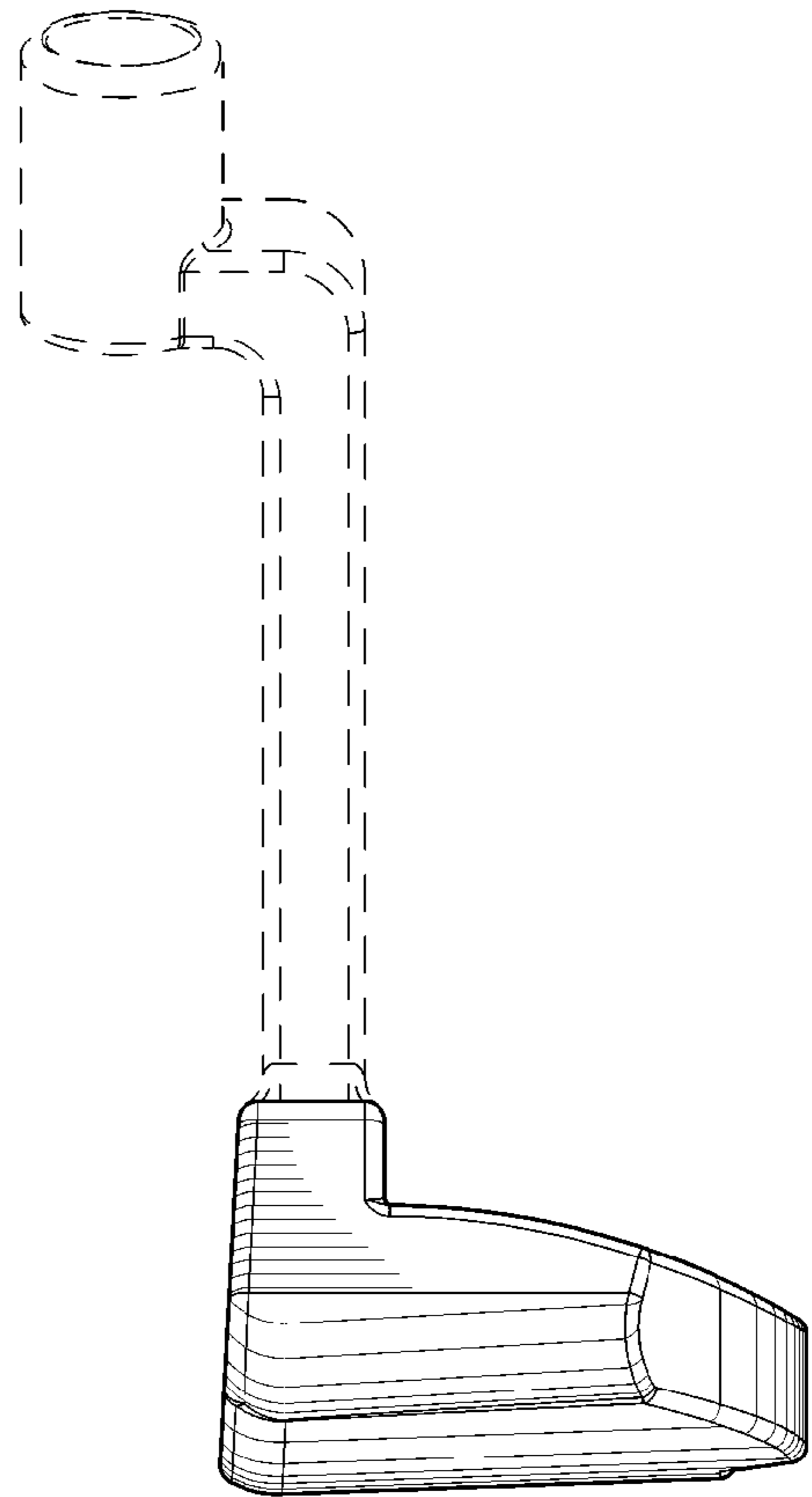
*Fig. 5*



*Fig. 6*



*Fig. 7*



*Fig. 8*