

US00D623708S

(12) **United States Design Patent**
Masters

(10) **Patent No.:** **US D623,708 S**

(45) **Date of Patent:** **** Sep. 14, 2010**

(54) **BATTING TRAINING DEVICE**

(76) **Inventor:** **John A. Masters**, 276 Fir St., San Carlos, CA (US) 94070

(**) **Term:** **14 Years**

(21) **Appl. No.:** **29/356,854**

(22) **Filed:** **Mar. 3, 2010**

Related U.S. Application Data

(63) Continuation-in-part of application No. 11/970,254, filed on Jan. 7, 2008.

(51) **LOC (9) Cl.** **21-02**

(52) **U.S. Cl.** **D21/719; D21/720; D21/780**

(58) **Field of Classification Search** D21/301-303, D21/688, 698, 715-723, 725, 753, 780, 789, D21/791, 796, 454, 466; 473/131, 139, 147, 473/217, 218, 266, 269-273, 417, 422-425, 473/451-453, 468, 497, 506-508, 511, 569, 473/575; 434/247, 252; 124/4, 6, 7, 34, 124/36, 41.1, 79; 273/317.6-335
See application file for complete search history.

(56) **References Cited**

U.S. PATENT DOCUMENTS

1,506,171 A * 8/1924 Filberg 124/4
1,674,715 A * 6/1928 Caulkins 273/129 K
1,912,360 A * 6/1933 Blanchard 124/7

D138,093 S * 6/1944 Schlitz D21/385
2,862,712 A * 12/1958 Delia et al. 473/423
3,368,541 A * 2/1968 Brink 124/7
D216,904 S * 3/1970 Van Skyhawk D21/720
4,095,798 A * 6/1978 Marple 473/147
4,544,161 A * 10/1985 Guendling, Jr. 473/270
4,778,177 A * 10/1988 Taksony 473/451
5,240,256 A * 8/1993 Hartman 473/507
6,422,872 B1 * 7/2002 Outlaw 434/247
7,488,265 B2 * 2/2009 Miller et al. 473/452

* cited by examiner

Primary Examiner—Catherine Tuttle

(74) *Attorney, Agent, or Firm*—Dale J. Ream

(57) **CLAIM**

The ornamental design for a batting training device, as shown and described.

DESCRIPTION

FIG. 1 is a perspective view of a batting training device showing my new design;

FIG. 2 is a front view thereof;

FIG. 3 is a back view thereof;

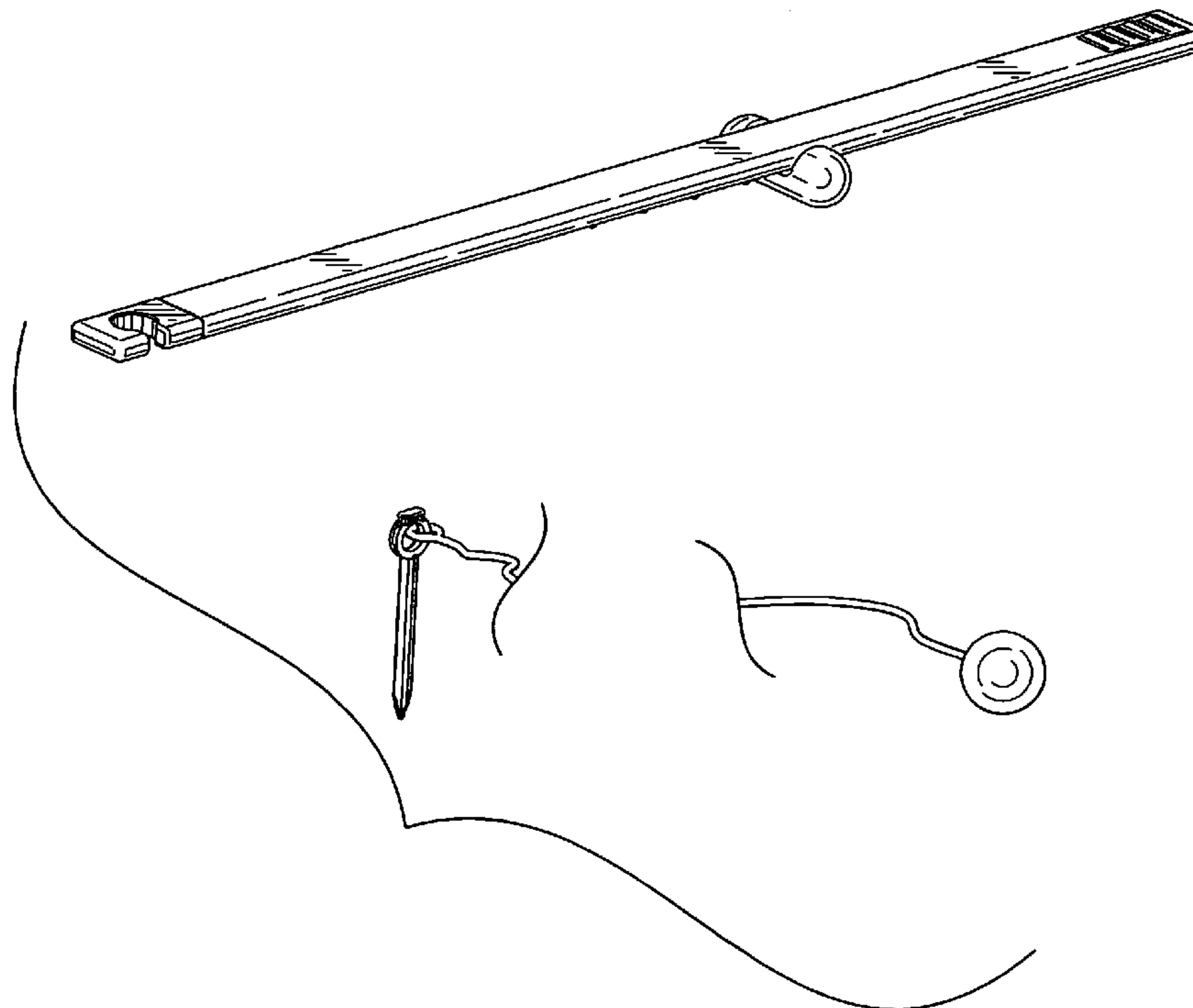
FIG. 4 is a left side view thereof;

FIG. 5 is a right side view thereof;

FIG. 6 is a top view thereof; and,

FIG. 7 is a bottom view thereof.

1 Claim, 5 Drawing Sheets



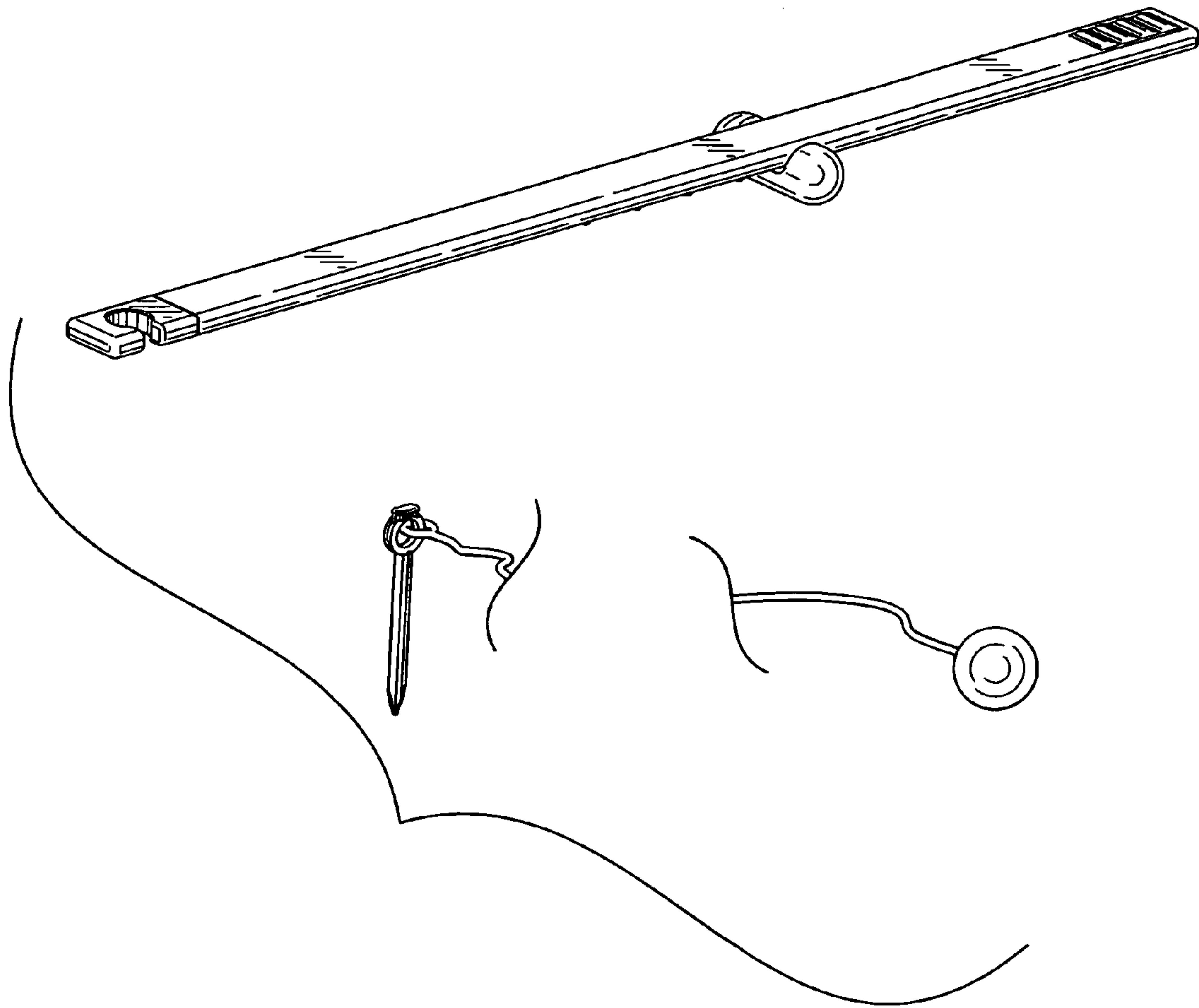


Fig. 1

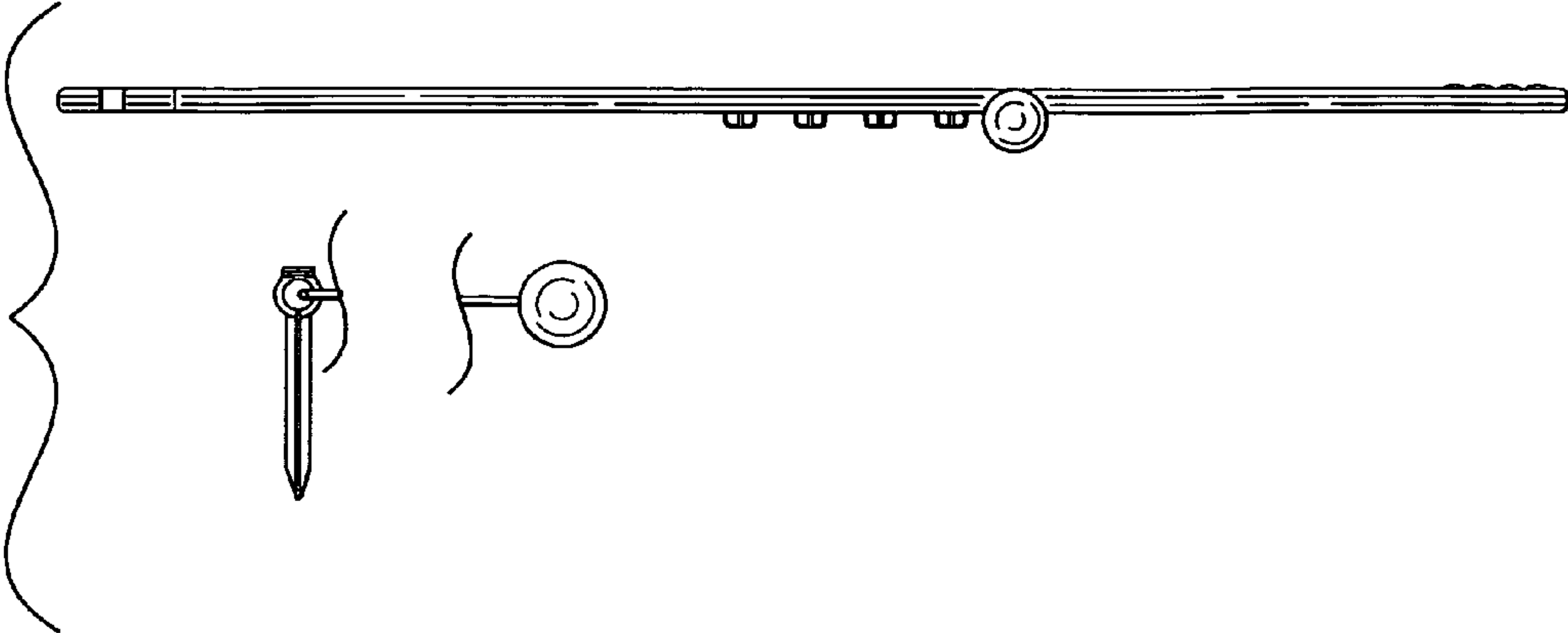


Fig. 2

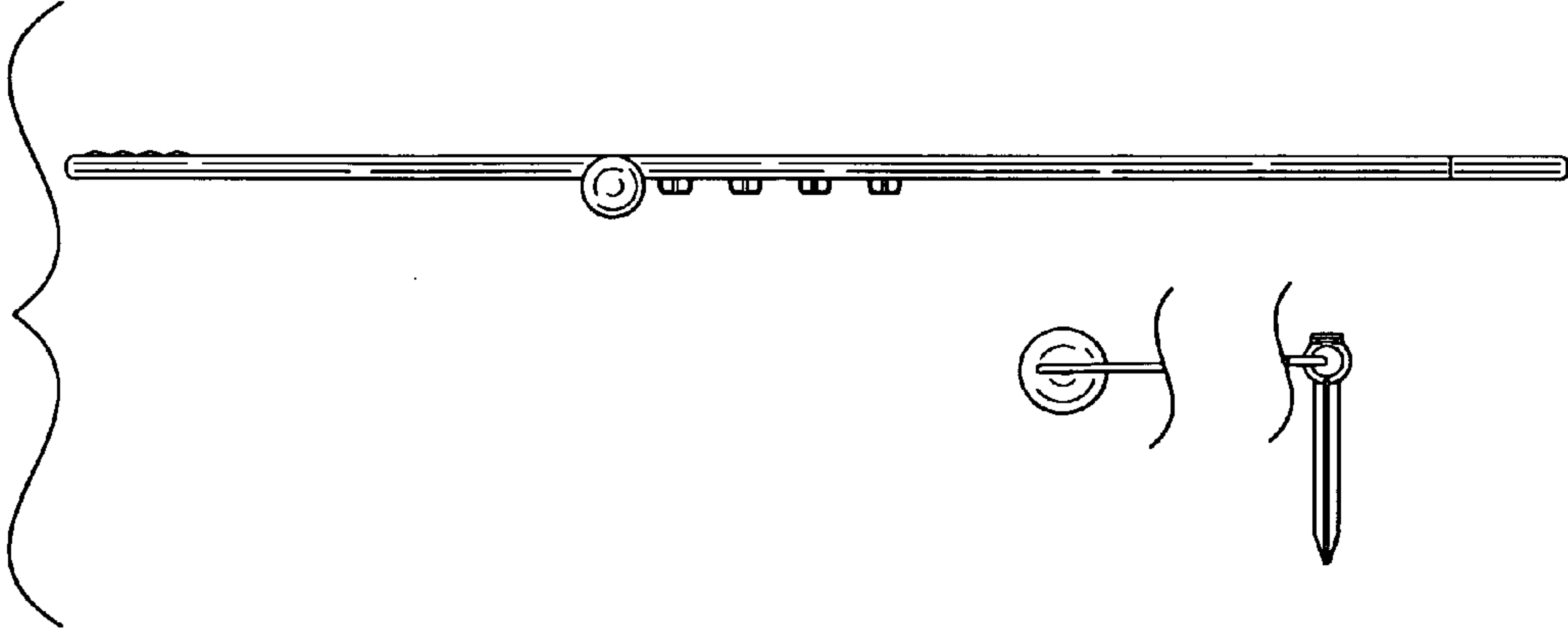


Fig. 3

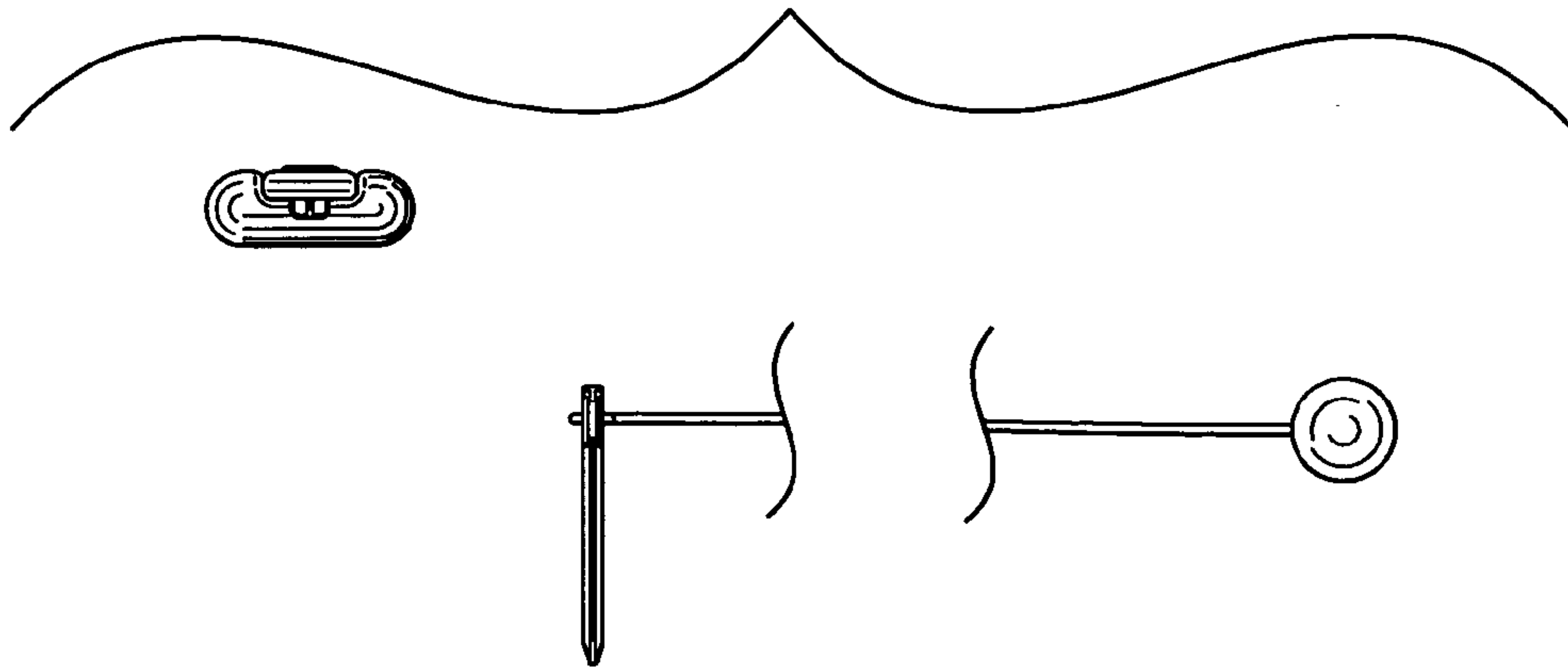


Fig. 4

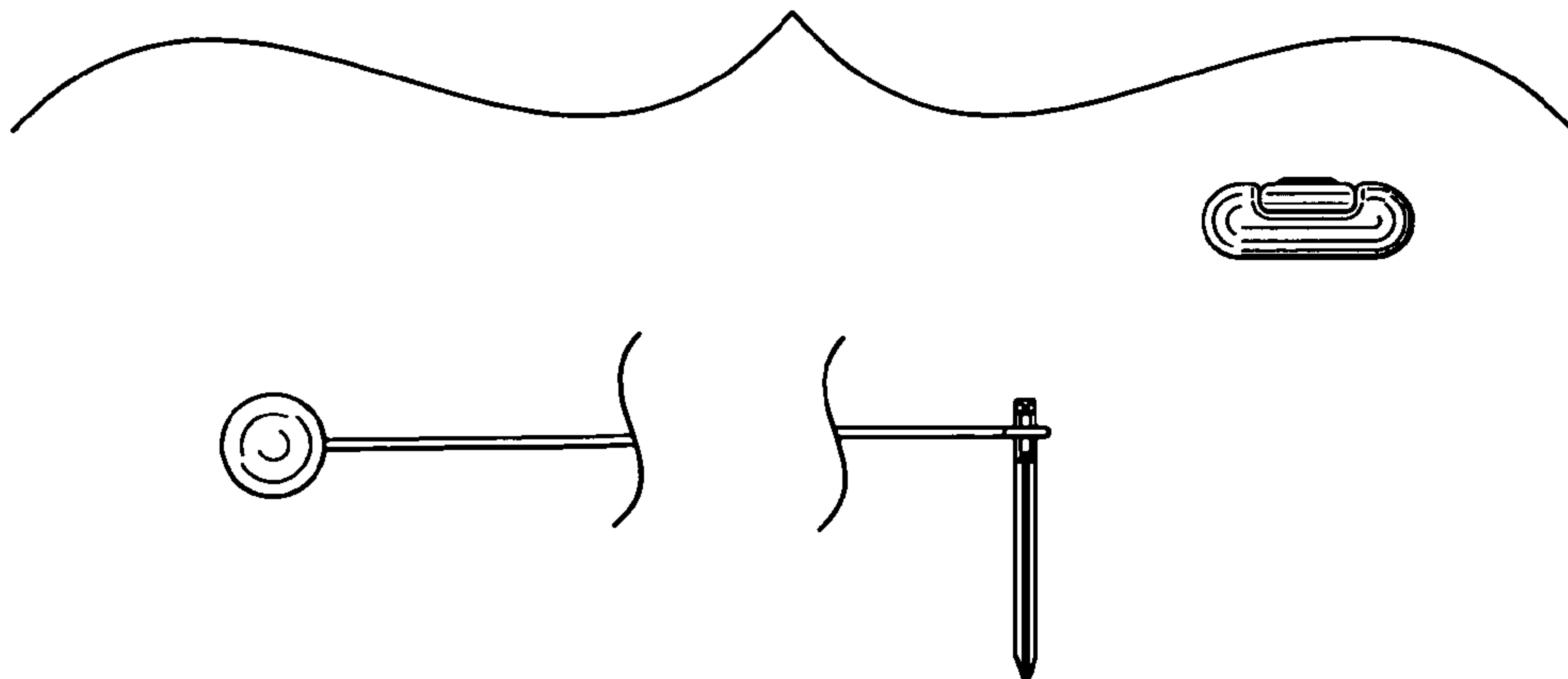


Fig. 5

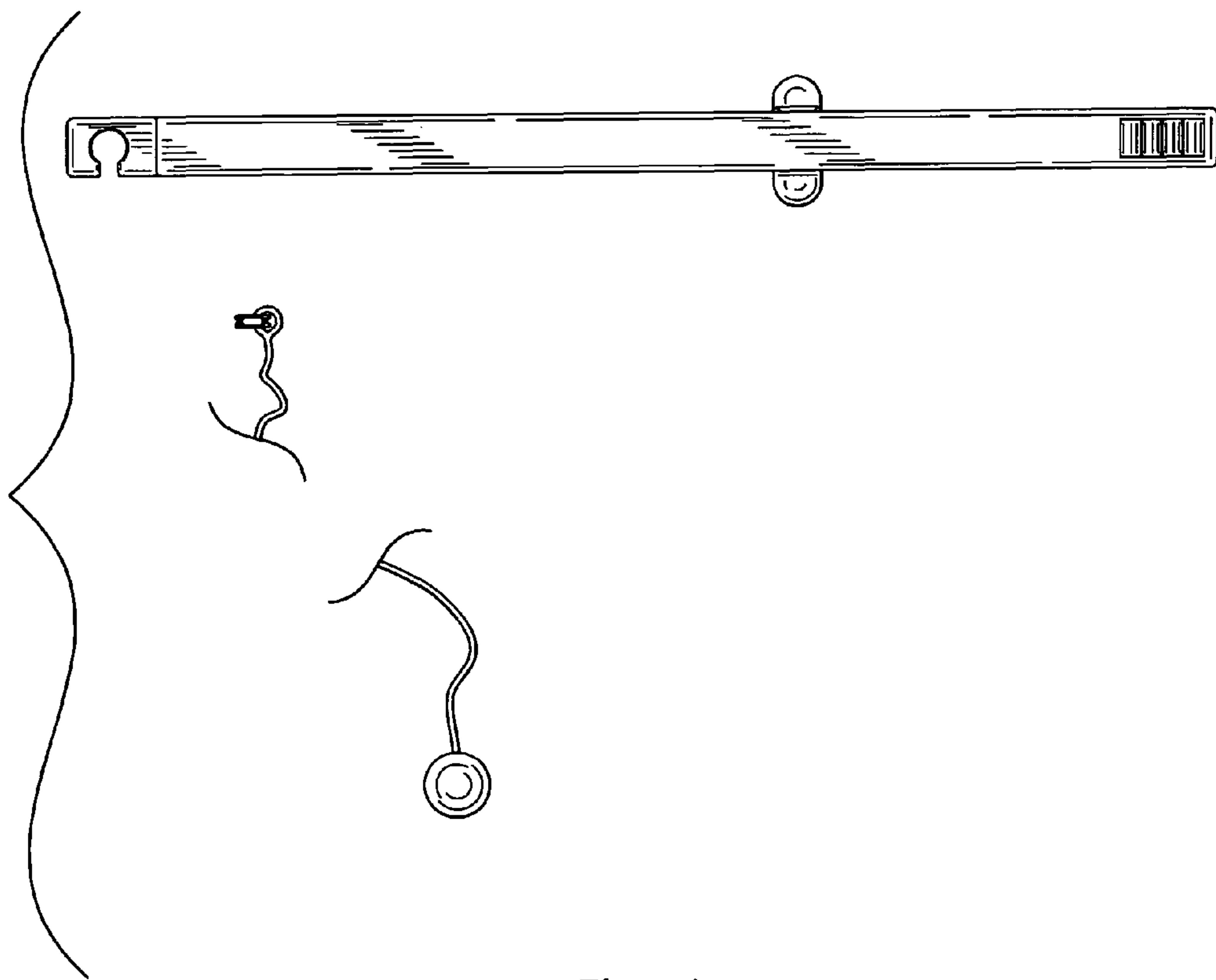


Fig. 6

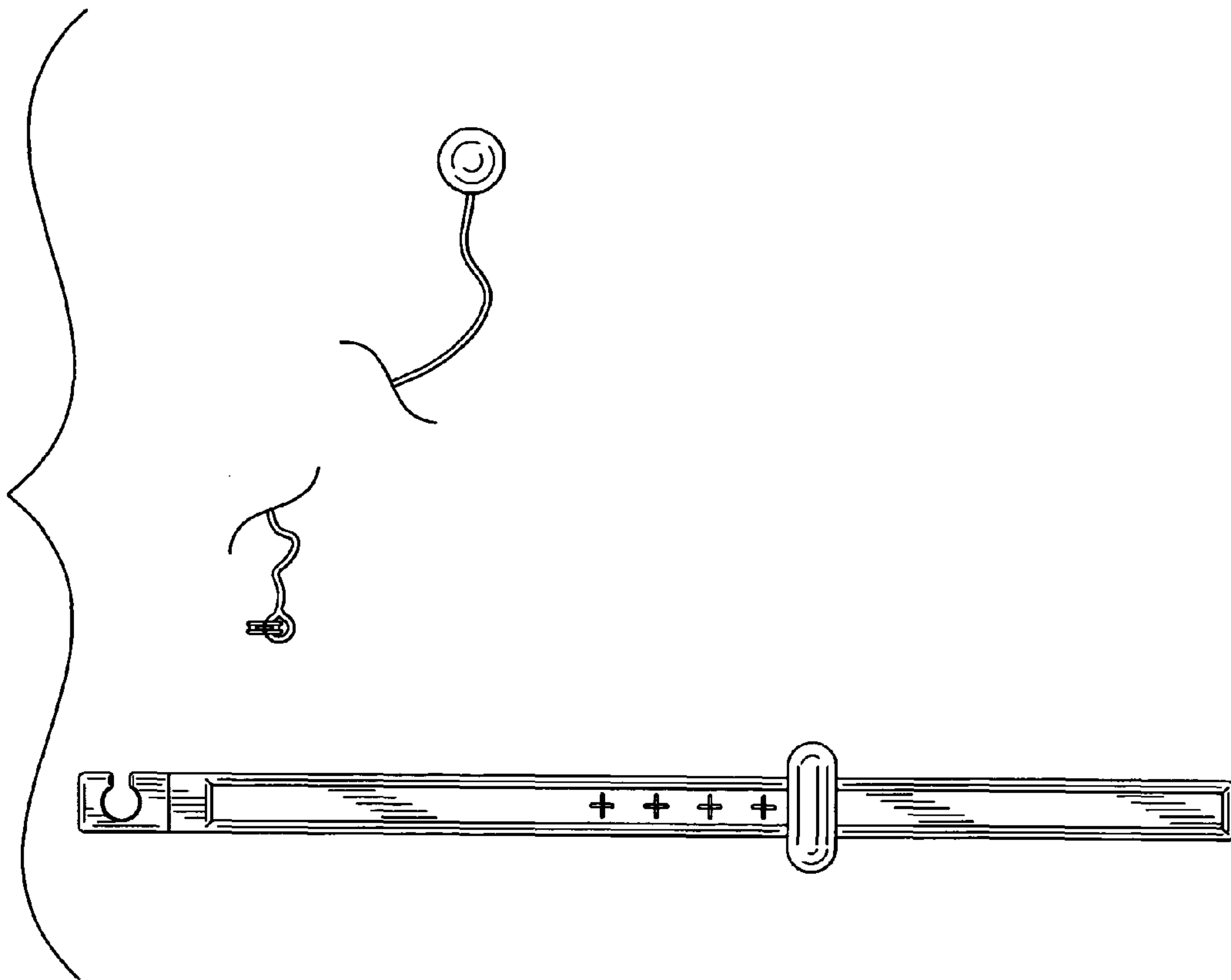


Fig. 7