



US00D623707S

(12) **United States Design Patent**
Ritchie

(10) **Patent No.:** **US D623,707 S**

(45) **Date of Patent:** **** Sep. 14, 2010**

(54) **ADJUSTABLE PULL UP AND EXERCISE BAR**

7,717,837 B2 * 5/2010 Florczak 482/143
D617,400 S * 6/2010 Hetzel et al. D21/691

(76) Inventor: **Mark P. Ritchie**, 520 Peach Way, San
Marcos, CA (US) 92069

* cited by examiner

(**) Term: **14 Years**

Primary Examiner—Robert M Spear

Assistant Examiner—Cynthia Underwood

(21) Appl. No.: **29/334,225**

(74) *Attorney, Agent, or Firm*—Richard D. Clarke

(22) Filed: **Mar. 23, 2009**

(57) **CLAIM**

(51) **LOC (9) Cl.** **21-02**

I claim the ornamental design for a adjustable pull up and exercise bar, as shown and described.

(52) **U.S. Cl.** **D21/679; D21/691**

(58) **Field of Classification Search** D21/797,
D21/691, 679, 665, 694, 686, 662; D6/552;
482/106, 93, 141, 38

DESCRIPTION

See application file for complete search history.

FIG. 1 is a perspective view of the adjustable pull up and exercise bar, showing the bar mounted in the lower position;

FIG. 2 is a perspective view of the adjustable pull up and exercise bar, showing the bar mounted in the upper position;

(56) **References Cited**

U.S. PATENT DOCUMENTS

1,019,861	A *	3/1912	Titus	482/123
1,495,536	A *	5/1924	Smith	482/38
2,666,640	A *	1/1954	Jennings, Sr.	482/141
5,156,580	A *	10/1992	Holland et al.	482/39
D355,005	S *	1/1995	Voohanel, Jr.	D21/691
5,389,055	A *	2/1995	Gangloff	482/38
5,527,242	A *	6/1996	Gangloff	482/38
D381,715	S *	7/1997	Reeder	D21/691
5,662,556	A *	9/1997	Gangloff	482/38
D487,124	S *	2/2004	Toniolo	D21/691
D600,482	S *	9/2009	St. John	D6/552

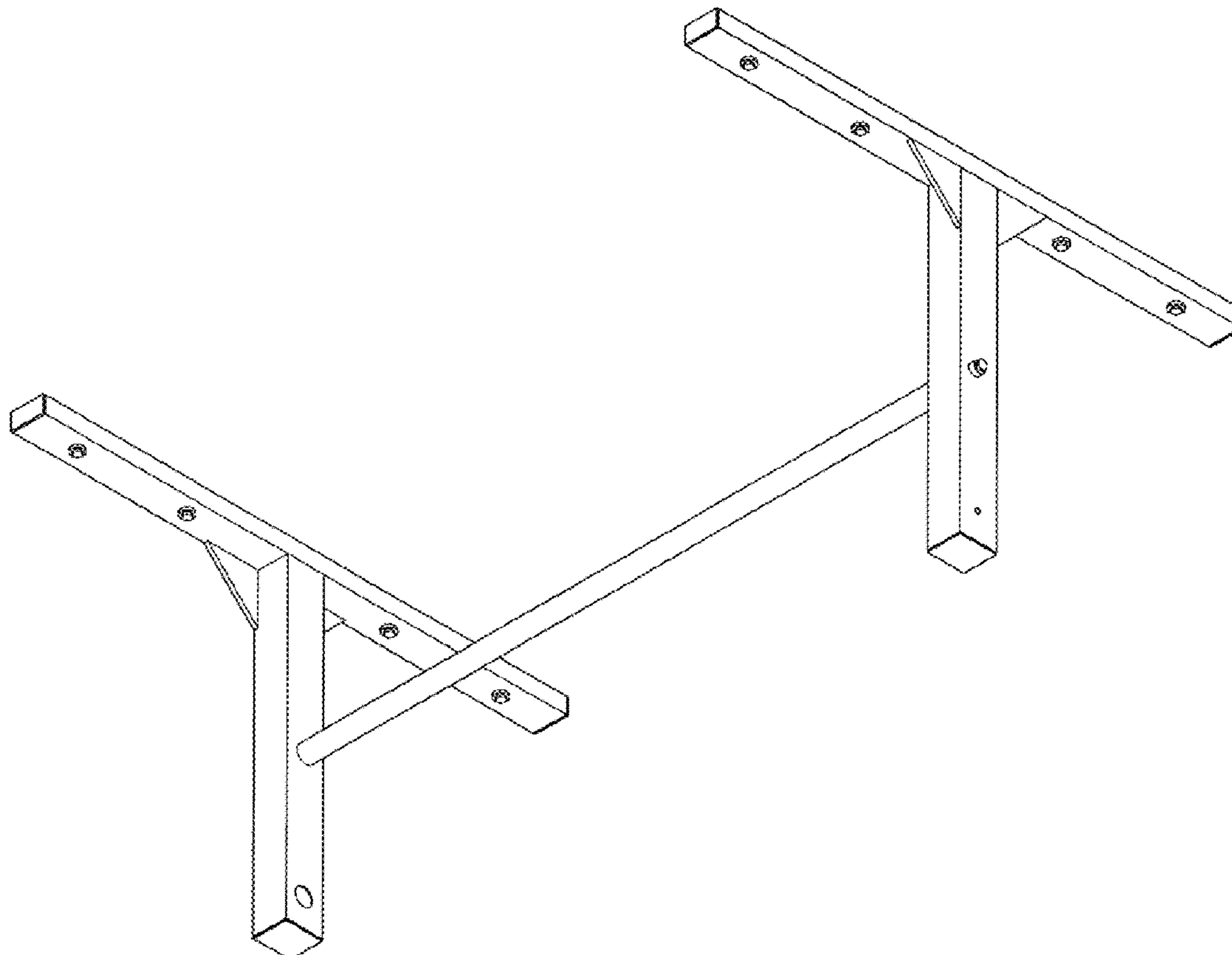
FIG. 3 is a side elevation view of the adjustable pull up and exercise bar;

FIG. 4 is front view of the adjustable pull up and exercise bar, showing the bar mounted in the lower position;

FIG. 5 is top plan view of the adjustable pull up and exercise bar; and,

FIG. 6 is bottom view of the adjustable pull up and exercise bar.

1 Claim, 6 Drawing Sheets



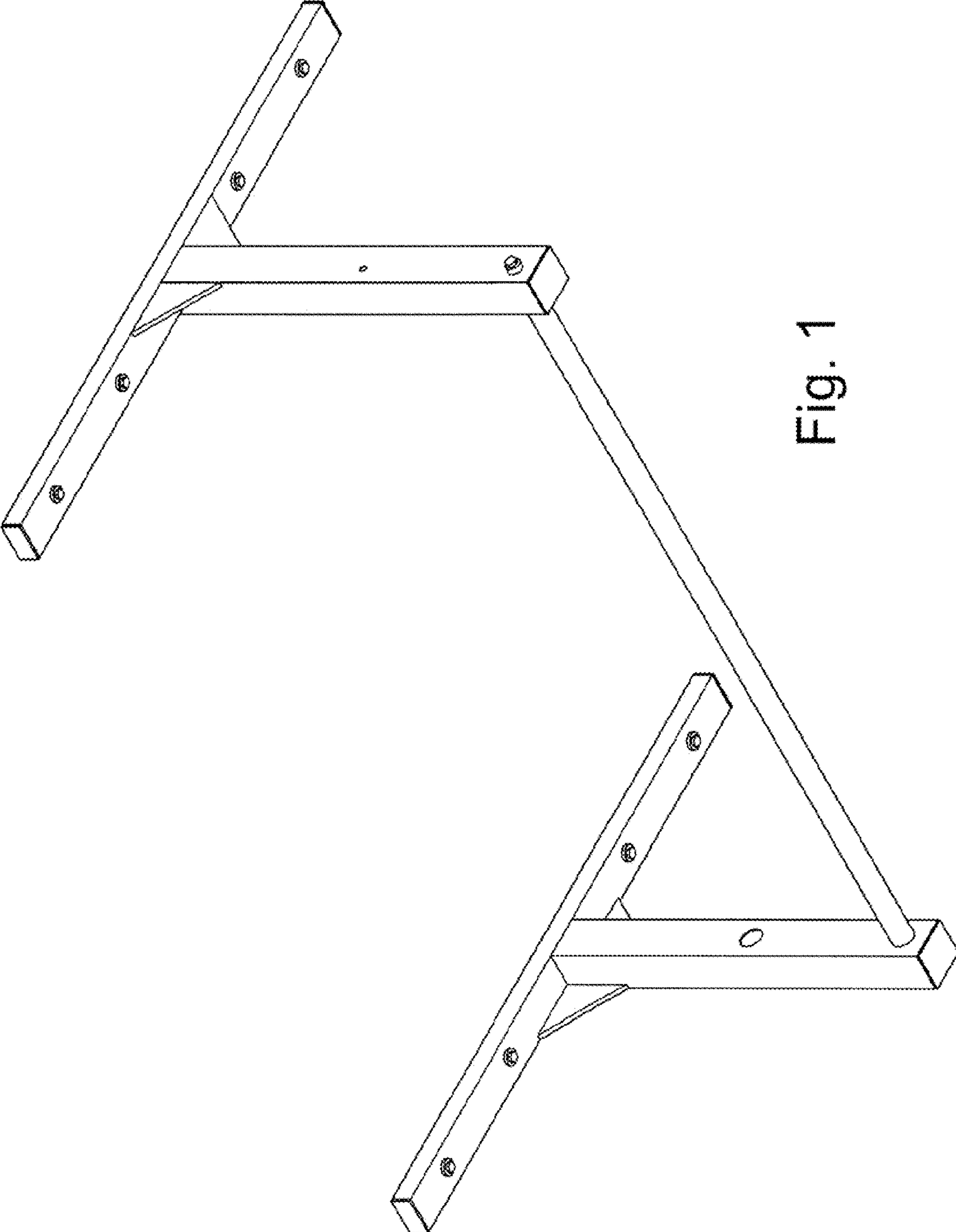


Fig. 1

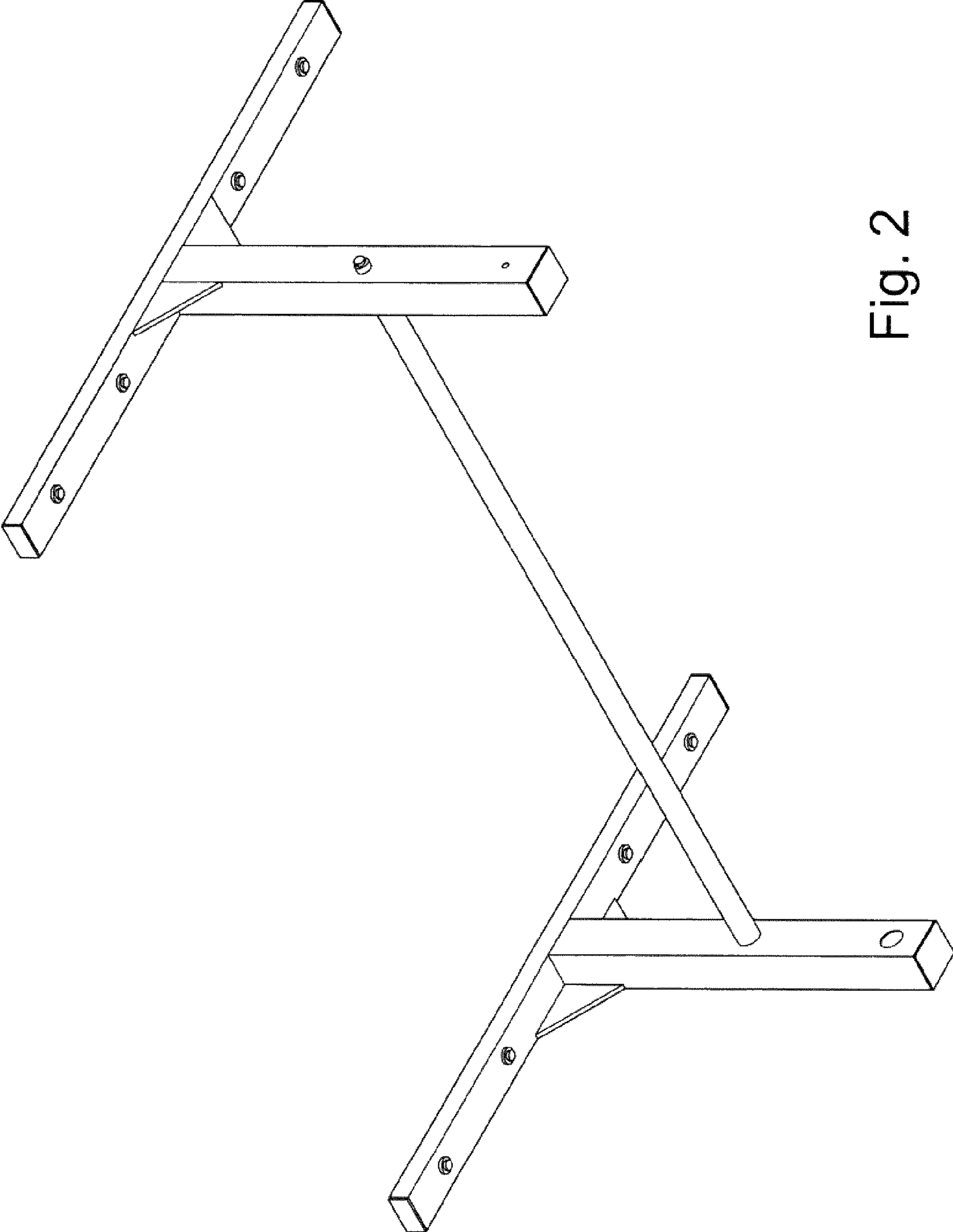


Fig. 2

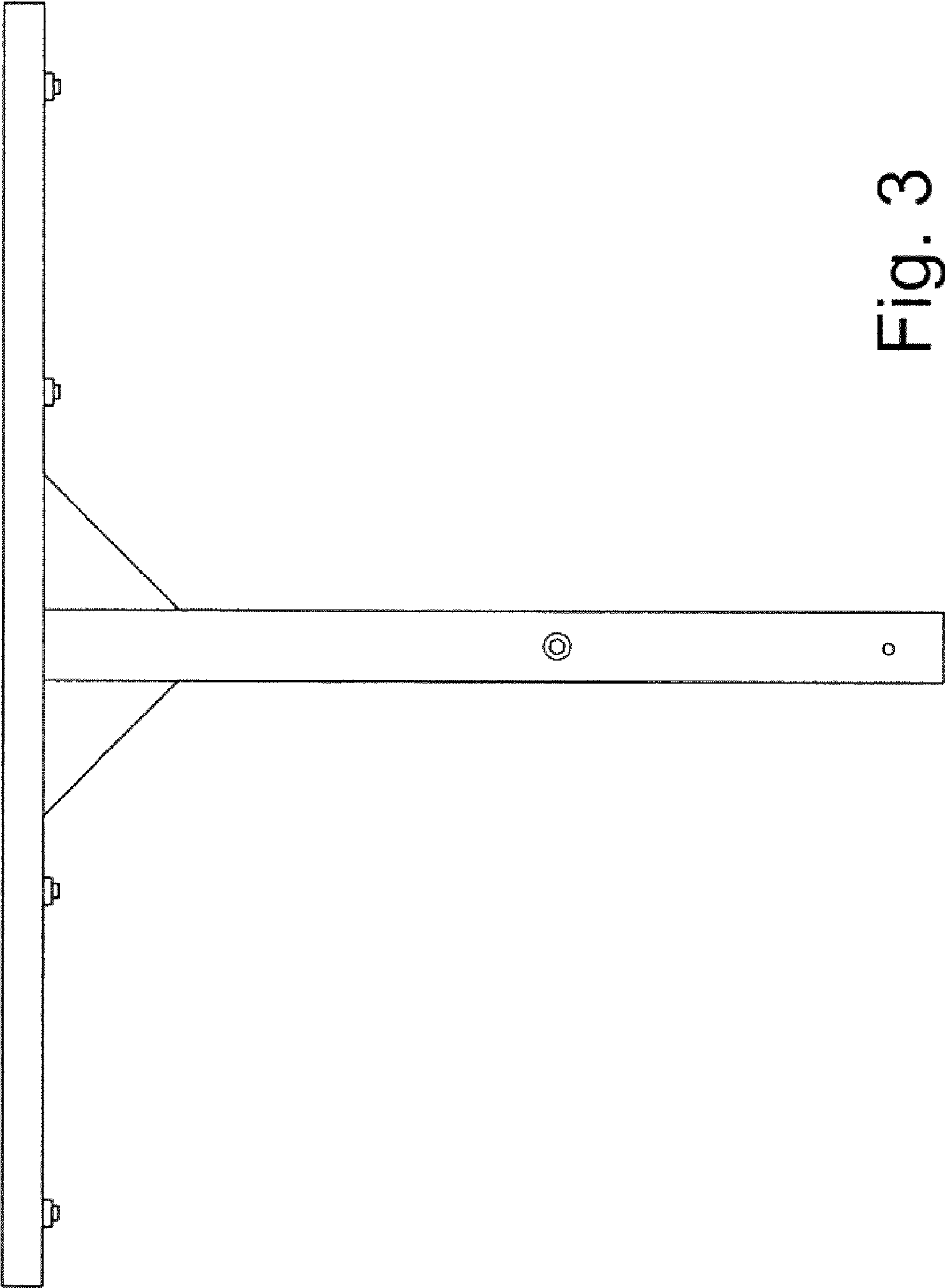
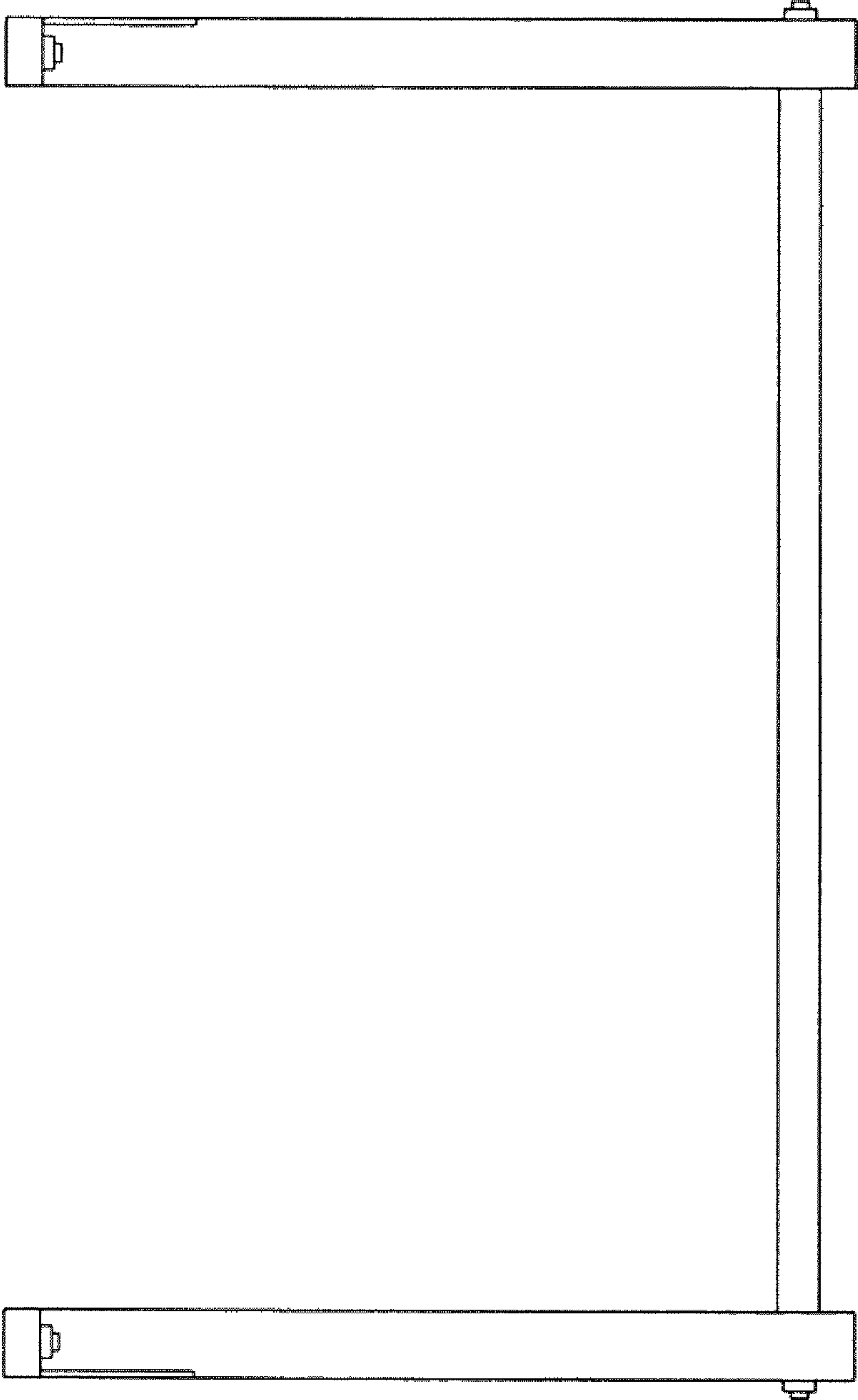


Fig. 3

Fig. 4



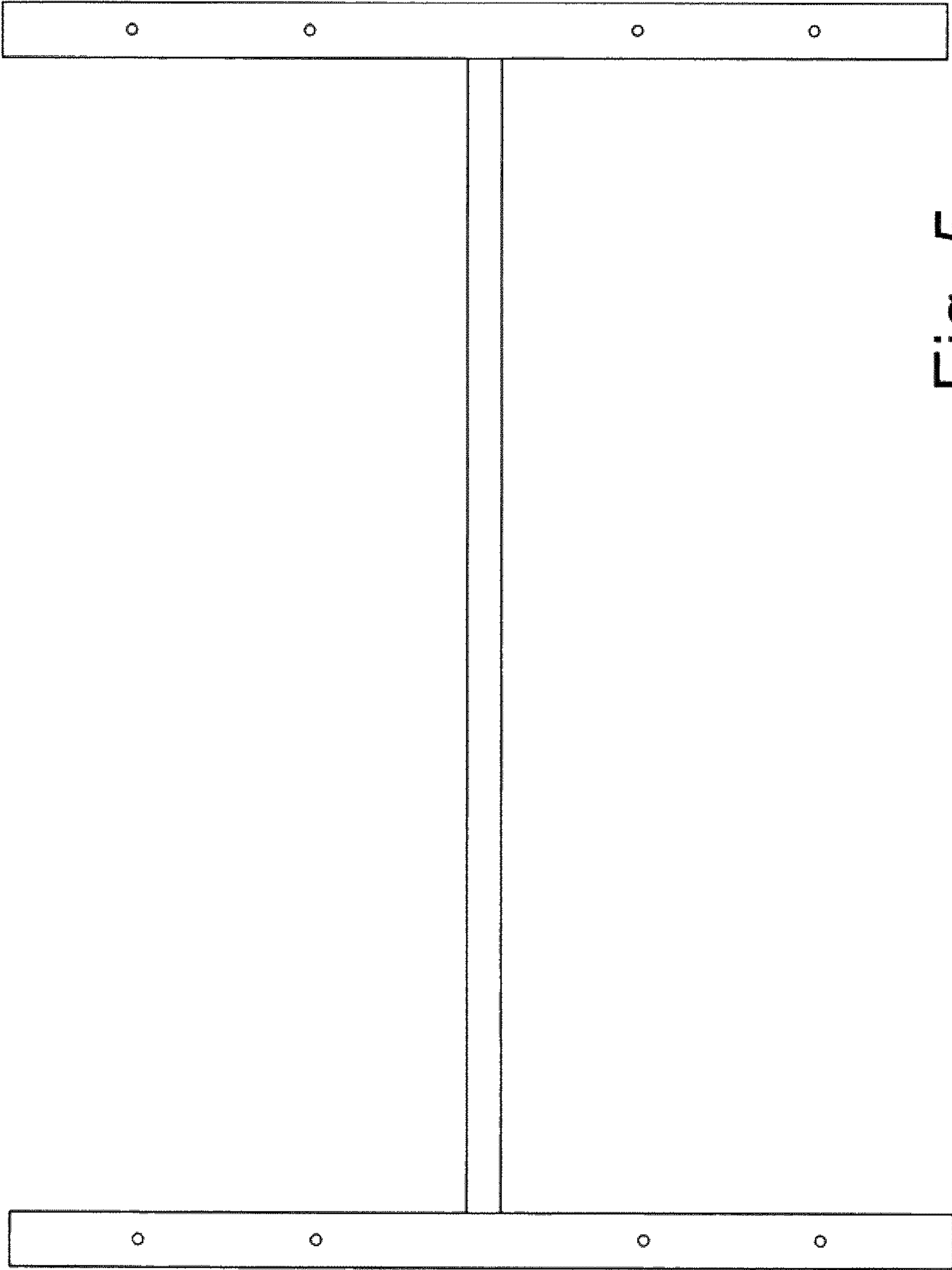


Fig. 5

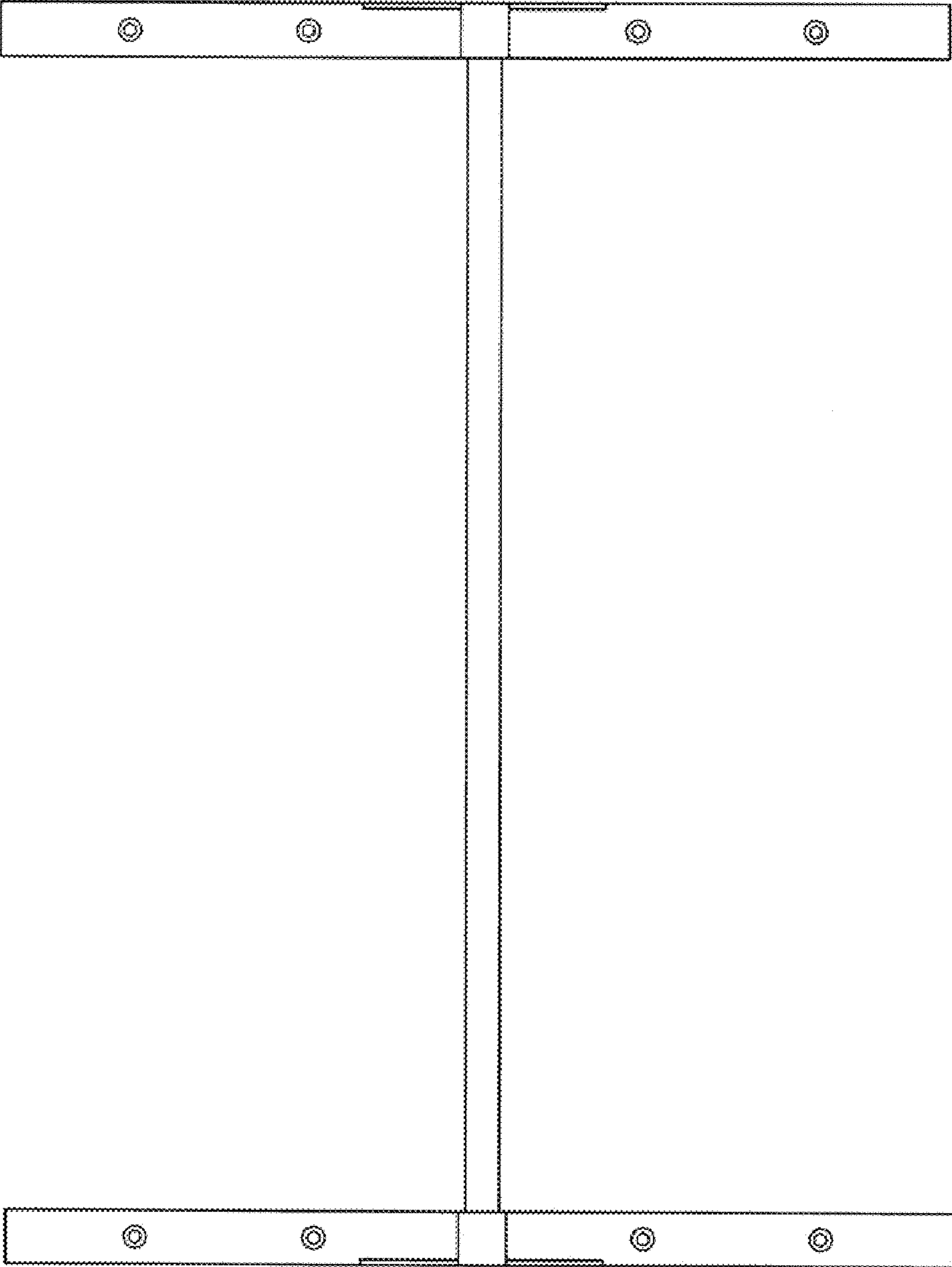


Fig. 6