



US00D623706S

(12) **United States Design Patent**
Thomason et al.

(10) **Patent No.:** **US D623,706 S**
(45) **Date of Patent:** **** Sep. 14, 2010**

- (54) **EXERCISE CHAIR WITH SIDE SUPPORTS**
- (75) Inventors: **Rodger Thomason**, Santa Monica, CA (US); **Andy Tobias**, Pacific Palisades, CA (US); **Andrew Spivak**, Los Angeles, CA (US)
- (73) Assignee: **Guthy-Renker LLC**, Santa Monica, CA (US)
- (**) Term: **14 Years**
- (21) Appl. No.: **29/314,141**
- (22) Filed: **Mar. 5, 2009**

D398,677 S *	9/1998	Kysilka	D21/684
5,865,710 A	2/1999	Wilson-Hyde	
6,056,675 A	5/2000	Aruin et al.	
6,117,056 A	9/2000	Cataldi, Jr. et al.	
6,129,651 A	10/2000	Denaro	
6,371,895 B1	4/2002	Endelman et al.	
6,438,769 B1 *	8/2002	Luckenbill	4/667
D465,250 S *	11/2002	San-Ching	D21/694
6,634,997 B2	10/2003	Briebart et al.	
6,676,581 B1	1/2004	Lin	
D490,867 S *	6/2004	Chen	D21/676
6,945,604 B2 *	9/2005	Splane, Jr.	297/313
D528,174 S *	9/2006	McVay et al.	D21/690
D575,835 S *	8/2008	Lin	D21/662
D617,856 S *	6/2010	Brinser	D21/692
2002/0137607 A1	9/2002	Endelman	

- (51) **LOC (9) Cl.** **21-02**
- (52) **U.S. Cl.** **D21/676**
- (58) **Field of Classification Search** 482/142, 482/148, 10, 130; 272/95; 128/76 B, 76 R, 128/857, 858, 863, 206.19, 201.25–201.28; 172/119; 607/109; 2/206, 207; 433/136; 446/27, 11; 297/313, 339, DIG. 10; D21/676, D21/686, 690, 694, 662, 673, 696, 668, 669, D21/670

See application file for complete search history.

(56) **References Cited**
U.S. PATENT DOCUMENTS

3,473,843 A	10/1969	Hart	
3,707,284 A	12/1972	Waldeck	
D226,771 S *	4/1973	Lambert et al.	D21/687
D262,814 S *	1/1982	Lambert et al.	D21/694
4,466,613 A	8/1984	Reese	
4,648,593 A	3/1987	Wilkinson	
4,979,726 A *	12/1990	Geraci	297/313
5,002,271 A	3/1991	Gonzales	
5,044,633 A	9/1991	Rice	
5,090,694 A	2/1992	Pauls et al.	
D342,106 S	12/1993	Campbell et al.	
5,316,528 A	5/1994	Ziparo	
D347,668 S *	6/1994	Wang	D21/670
D380,242 S	6/1997	Wang et al.	
5,681,249 A	10/1997	Endelman	
5,690,594 A	11/1997	Mankovitz	

(Continued)

FOREIGN PATENT DOCUMENTS

WO	WO 06/26402	11/1996
----	-------------	---------

Primary Examiner—Robert M Spear
Assistant Examiner—Cynthia Underwood
(74) *Attorney, Agent, or Firm*—Cislo & Thomas, LLP

(57) **CLAIM**

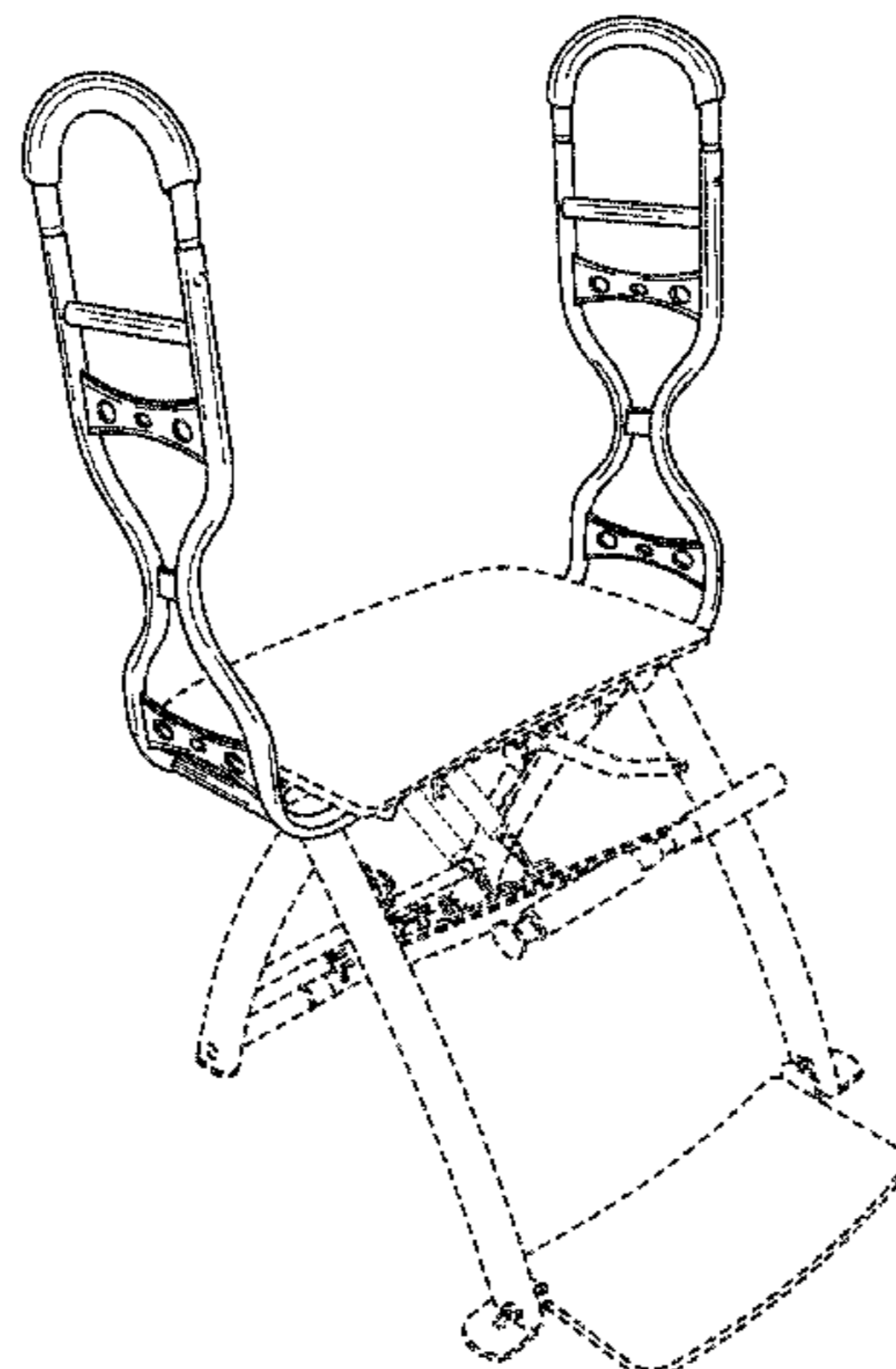
The ornamental design for exercise chair with side supports, as shown and described.

DESCRIPTION

- FIG. 1. Is a perspective view of my exercise chair with side supports;
- FIG. 2. Is a right side view thereof;
- FIG. 3. Is a left side view thereof;
- FIG. 4. Is a front view thereof;
- FIG. 5. Is a rear view thereof; and,
- FIG. 6. Is a top view thereof.

The broken line portions of the disclosure depict environmental structure only and form no part of the claim.

1 Claim, 6 Drawing Sheets



US D623,706 S

Page 2

U.S. PATENT DOCUMENTS

2003/0119635 A1 6/2003 Arbuckle et al.
2004/0043880 A1 3/2004 Johnston
2004/0138034 A1 7/2004 Endelman

2004/0152572 A1 8/2004 Reitz et al.
2004/0229738 A1 11/2004 Hobson

* cited by examiner

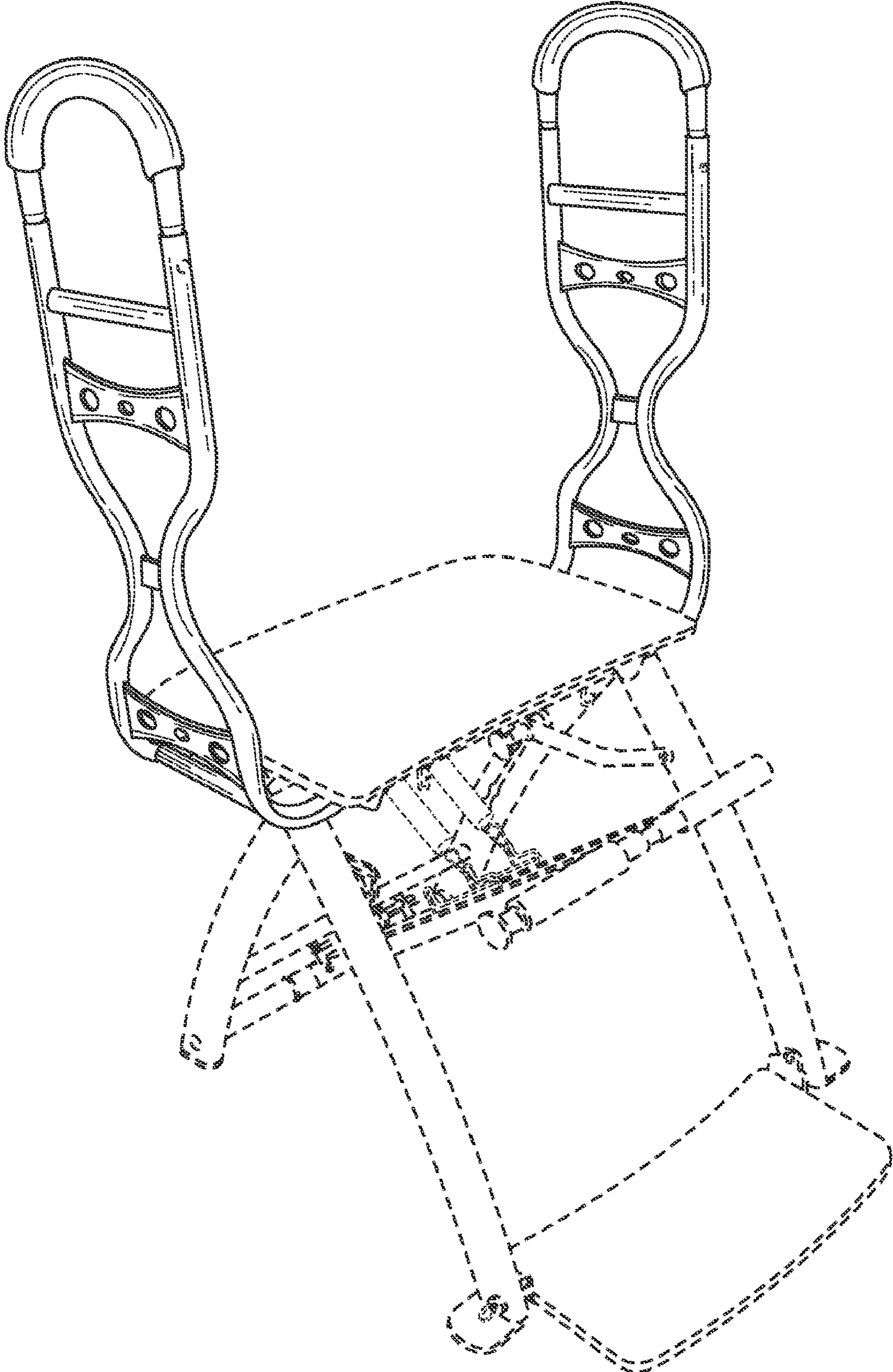


FIG. 1

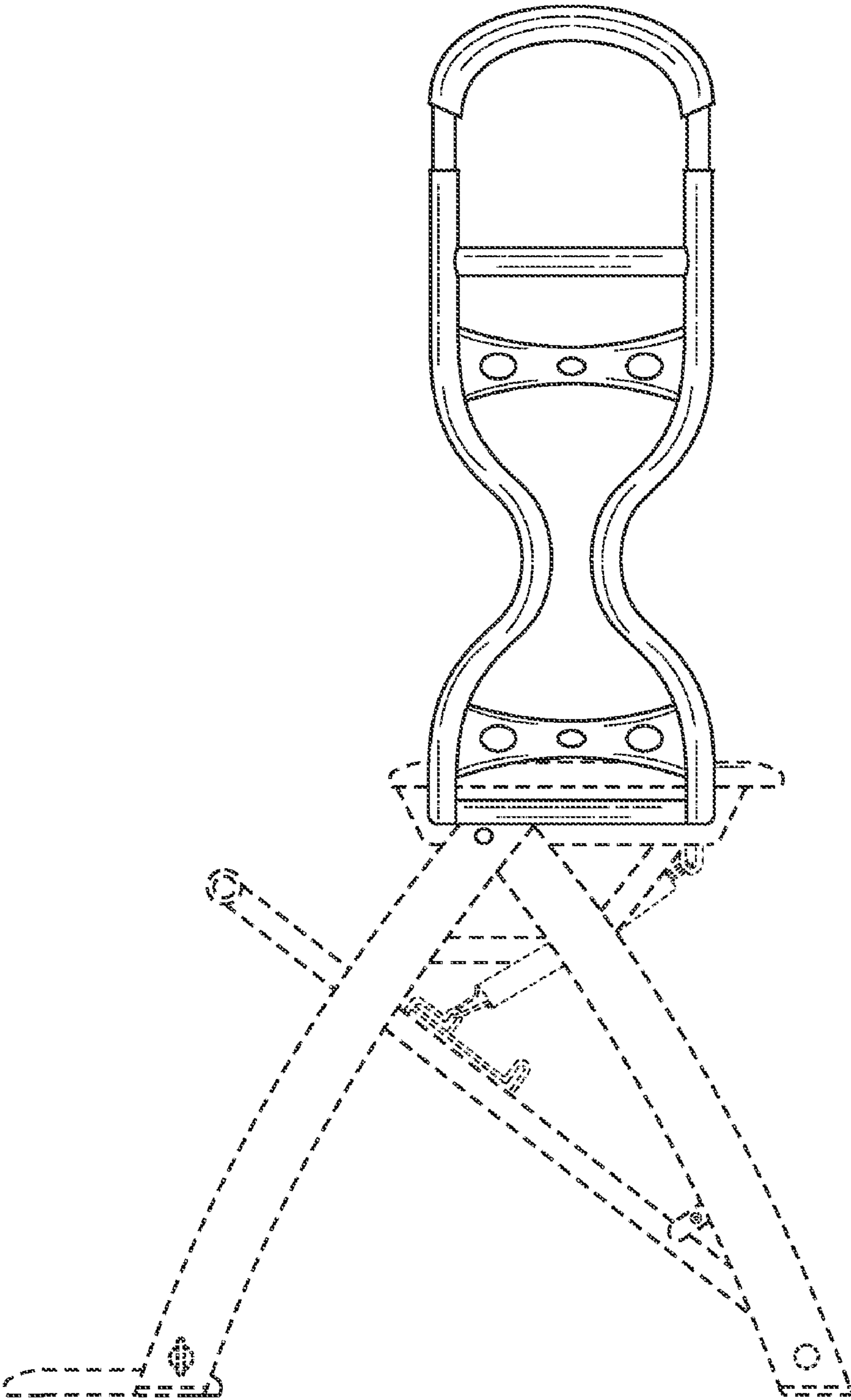


FIG. 2

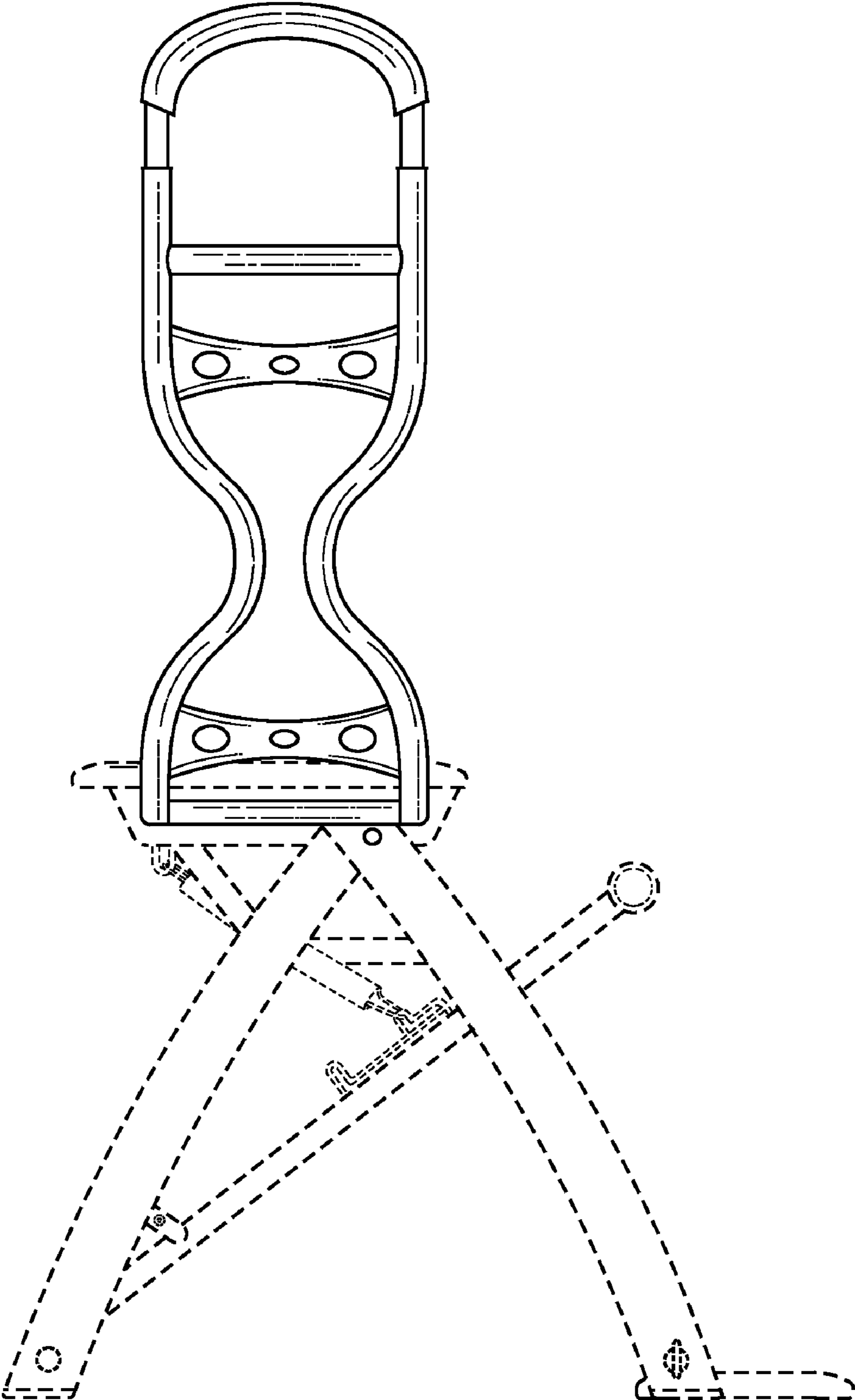


FIG. 3

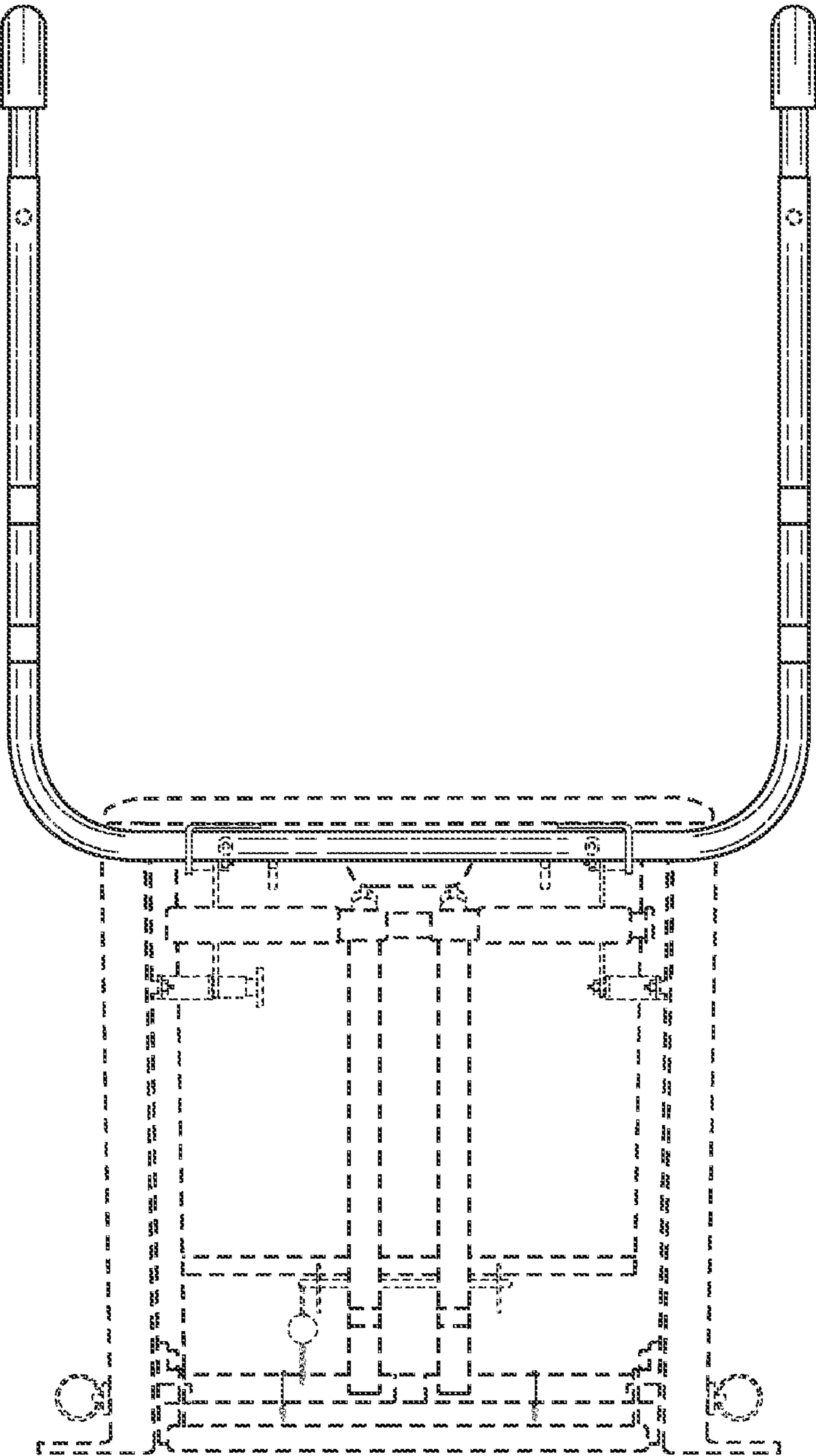


FIG. 4

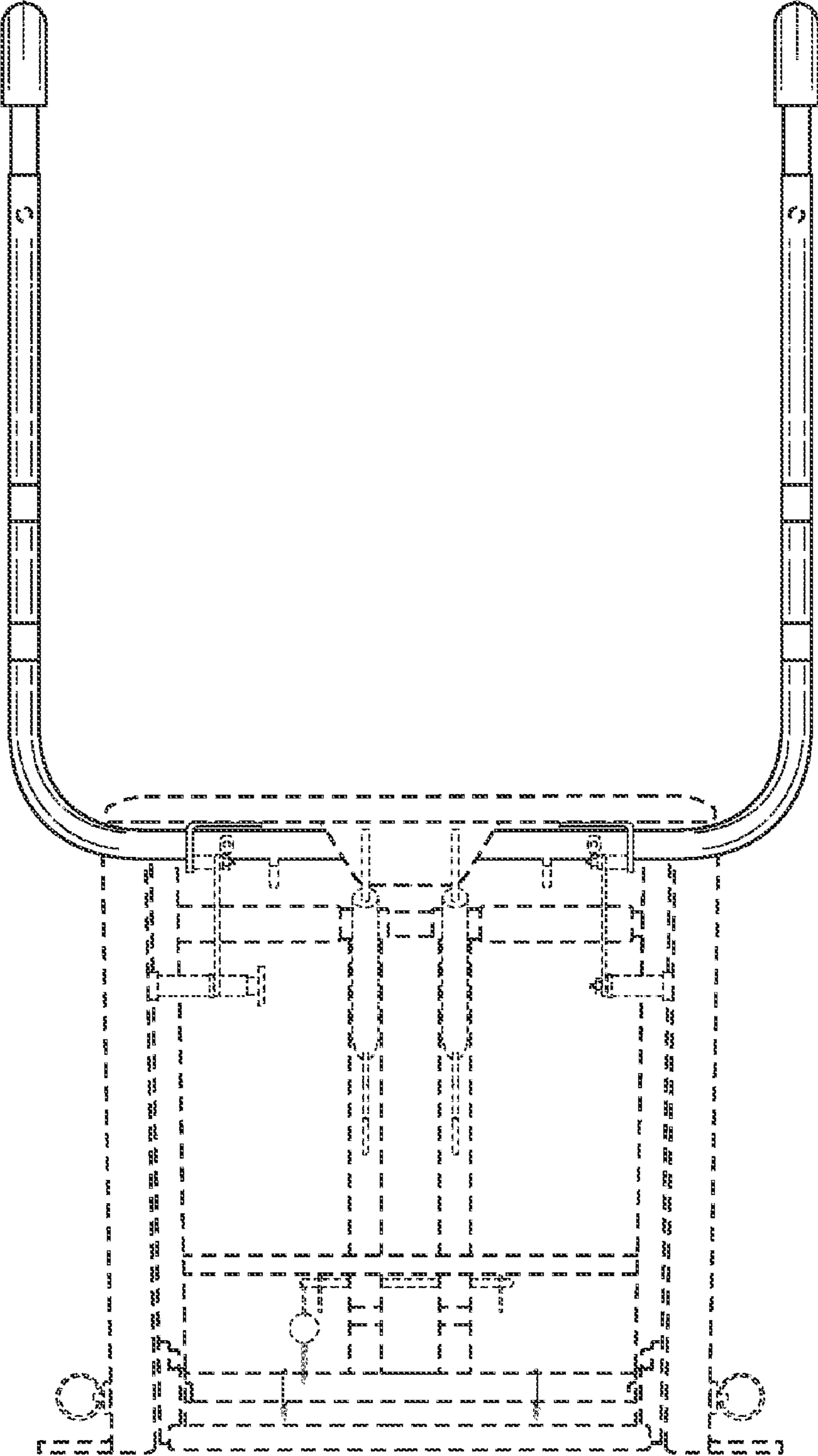


FIG. 5

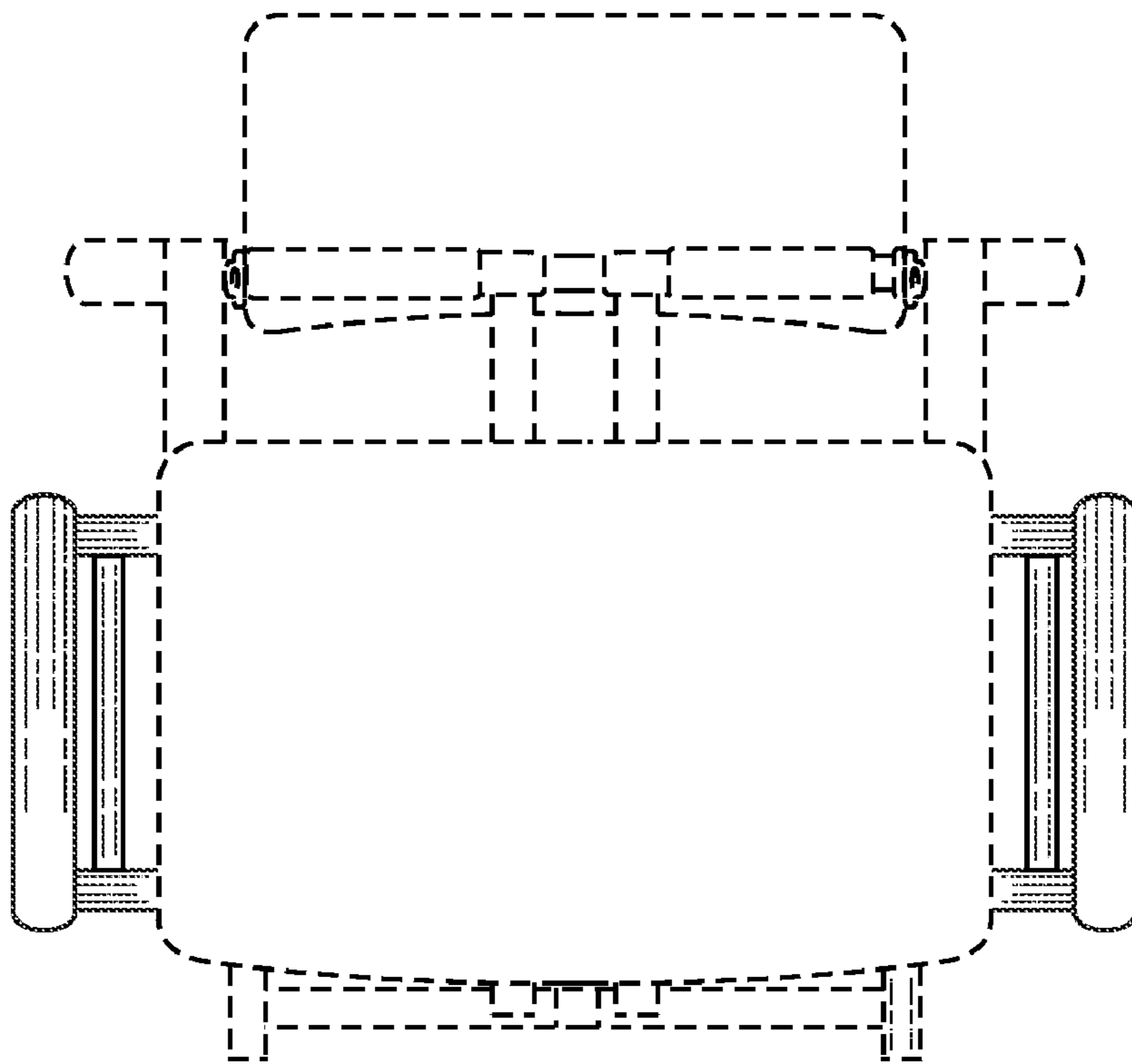


FIG. 6