



US00D623704S

(12) **United States Design Patent**  
**Yuen**

(10) **Patent No.:** **US D623,704 S**  
(45) **Date of Patent:** **\*\* Sep. 14, 2010**

(54) **TOY HELICOPTER ROTORS**

EM 000769252-0001 \* 8/2007  
EM 000839782-0001 \* 1/2008

(75) Inventor: **Terry Yuen**, Kowloon (HK)

\* cited by examiner

(73) Assignee: **Golden Bright Manufacturer Limited**,  
Hong Kong (HK)

*Primary Examiner*—Catherine Tuttle  
(74) *Attorney, Agent, or Firm*—Baker & McKenzie LLP

(\*\*) Term: **14 Years**

(57) **CLAIM**

(21) Appl. No.: **29/324,019**

The ornamental design for toy helicopter rotors, as illustrated and described.

(22) Filed: **Sep. 4, 2008**

(30) **Foreign Application Priority Data**

**DESCRIPTION**

Mar. 4, 2008 (HK) ..... 0800608

(51) **LOC (9) Cl.** ..... **21-01**

(52) **U.S. Cl.** ..... **D21/442**

(58) **Field of Classification Search** ..... D21/436-454;  
D12/319-345; 446/34-68, 230-232, 430;  
244/17.11-17.27

See application file for complete search history.

FIG. 1 is a front perspective view of the toy helicopter rotors in accordance with my design;

FIG. 2 is a rear perspective view of the toy helicopter rotors shown in FIG. 1;

FIG. 3 is a front view of the toy helicopter rotors shown in FIGS. 1-2;

FIG. 4 is a rear view of the toy helicopter rotors shown in FIGS. 1-3;

FIG. 5 is a left side view of the toy helicopter rotors shown in FIGS. 1-4;

FIG. 6 is a right side view of the toy helicopter rotors shown in FIGS. 1-5;

FIG. 7 is a top view of the toy helicopter rotors shown in FIGS. 1-6; and,

FIG. 8 is a bottom view of the toy helicopter rotors shown in FIGS. 1-7.

The broken lines are included for the purpose of illustrating portions of the toy helicopter that form no part of the claimed design.

(56) **References Cited**

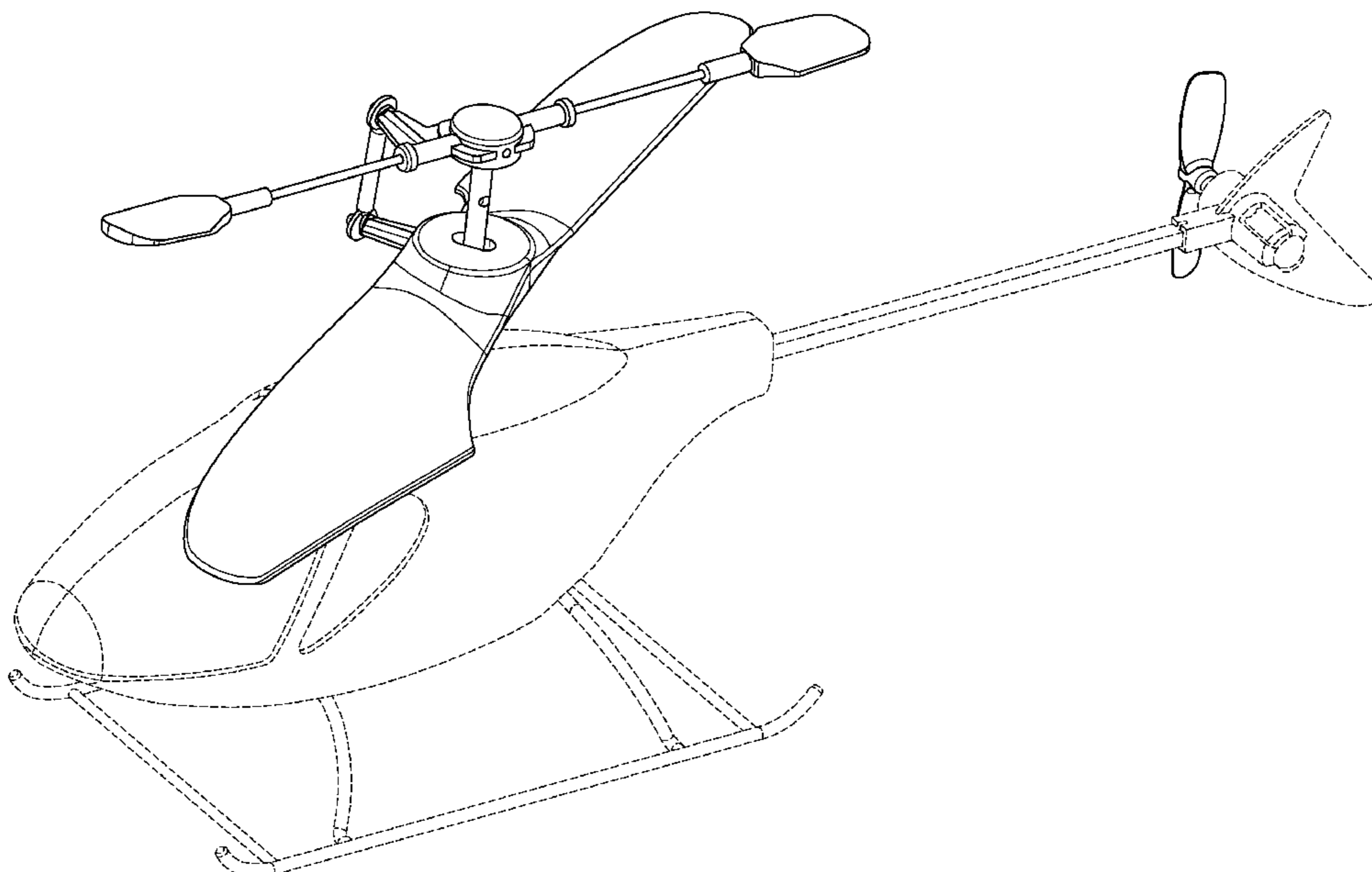
**U.S. PATENT DOCUMENTS**

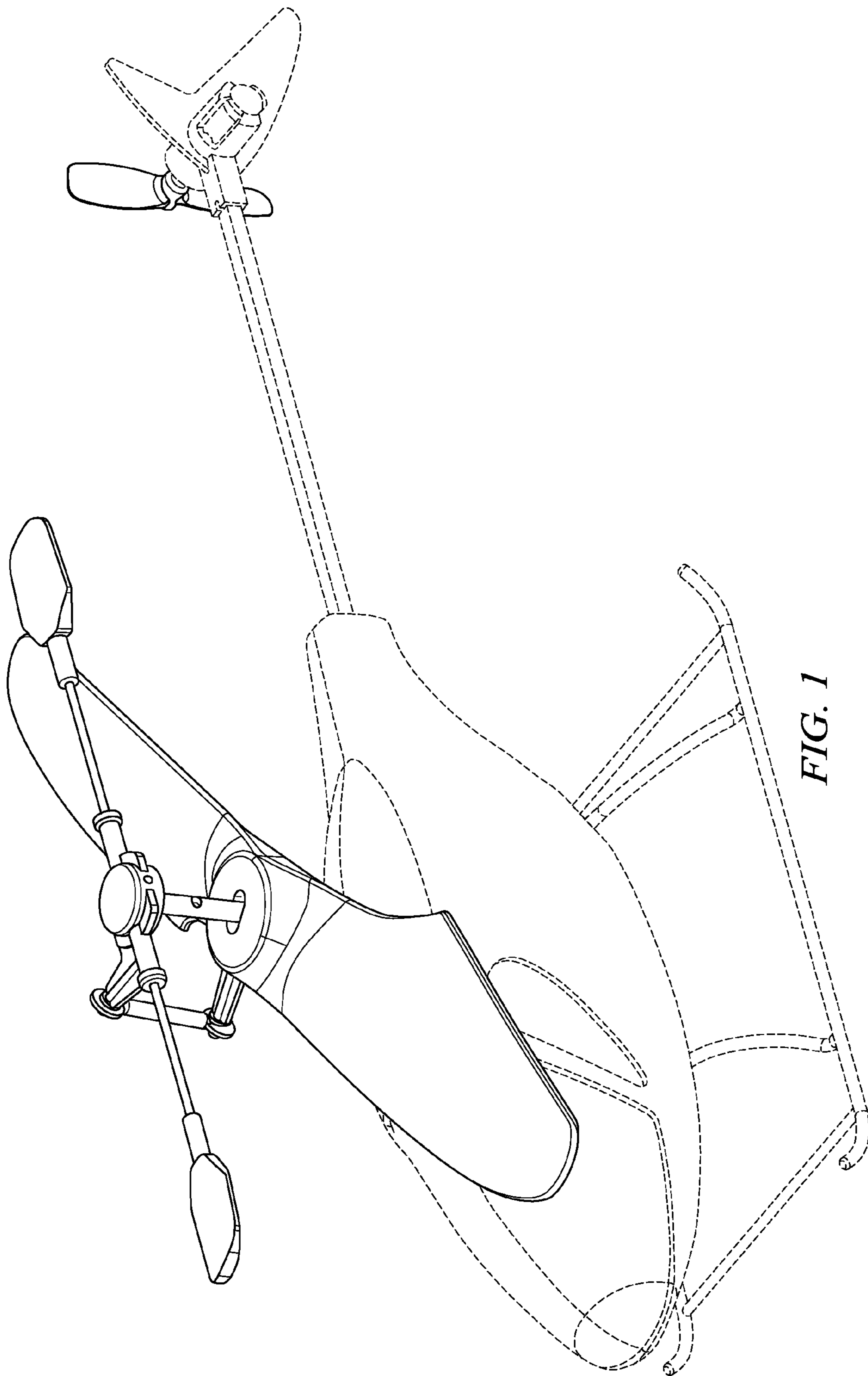
2,429,502 A \* 10/1947 Young ..... 244/154  
2,534,353 A \* 12/1950 Hiller, Jr. et al. .... 416/18  
D544,825 S \* 6/2007 Van de Rostyne et al. .. D12/345  
D561,085 S \* 2/2008 Wai ..... D12/345  
2004/0245378 A1 \* 12/2004 Nonami et al. .... 244/17.13  
2006/0231677 A1 \* 10/2006 Zimet et al. .... 244/17.23  
2007/0012818 A1 \* 1/2007 Miyazawa et al. .... 244/17.25  
2007/0178798 A1 \* 8/2007 Lai ..... 446/36  
2007/0181742 A1 \* 8/2007 Van de Rostyne  
et al. .... 244/17.23

**FOREIGN PATENT DOCUMENTS**

EM 000734629-0001 \* 6/2006

**1 Claim, 7 Drawing Sheets**





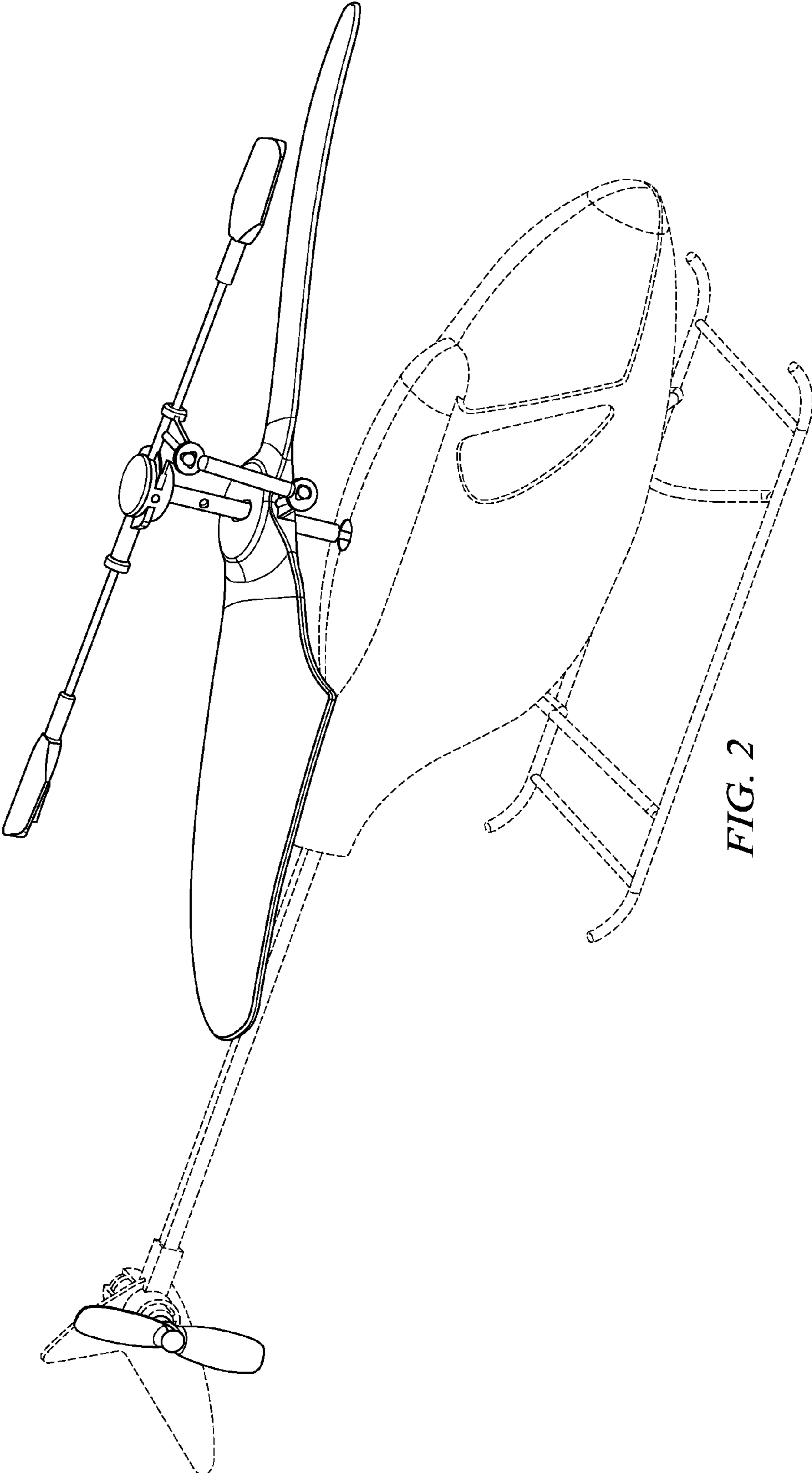


FIG. 2

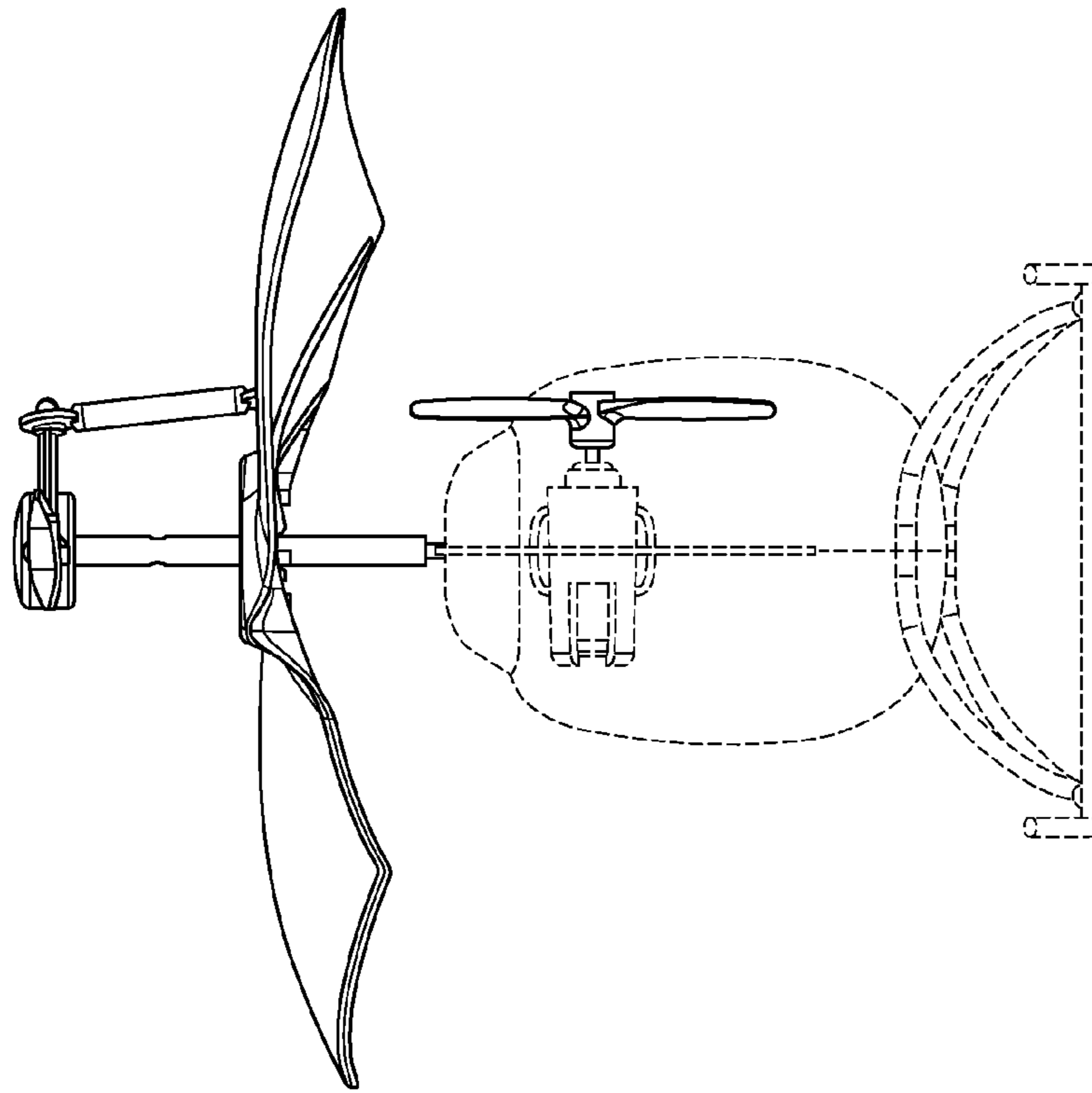


FIG. 4

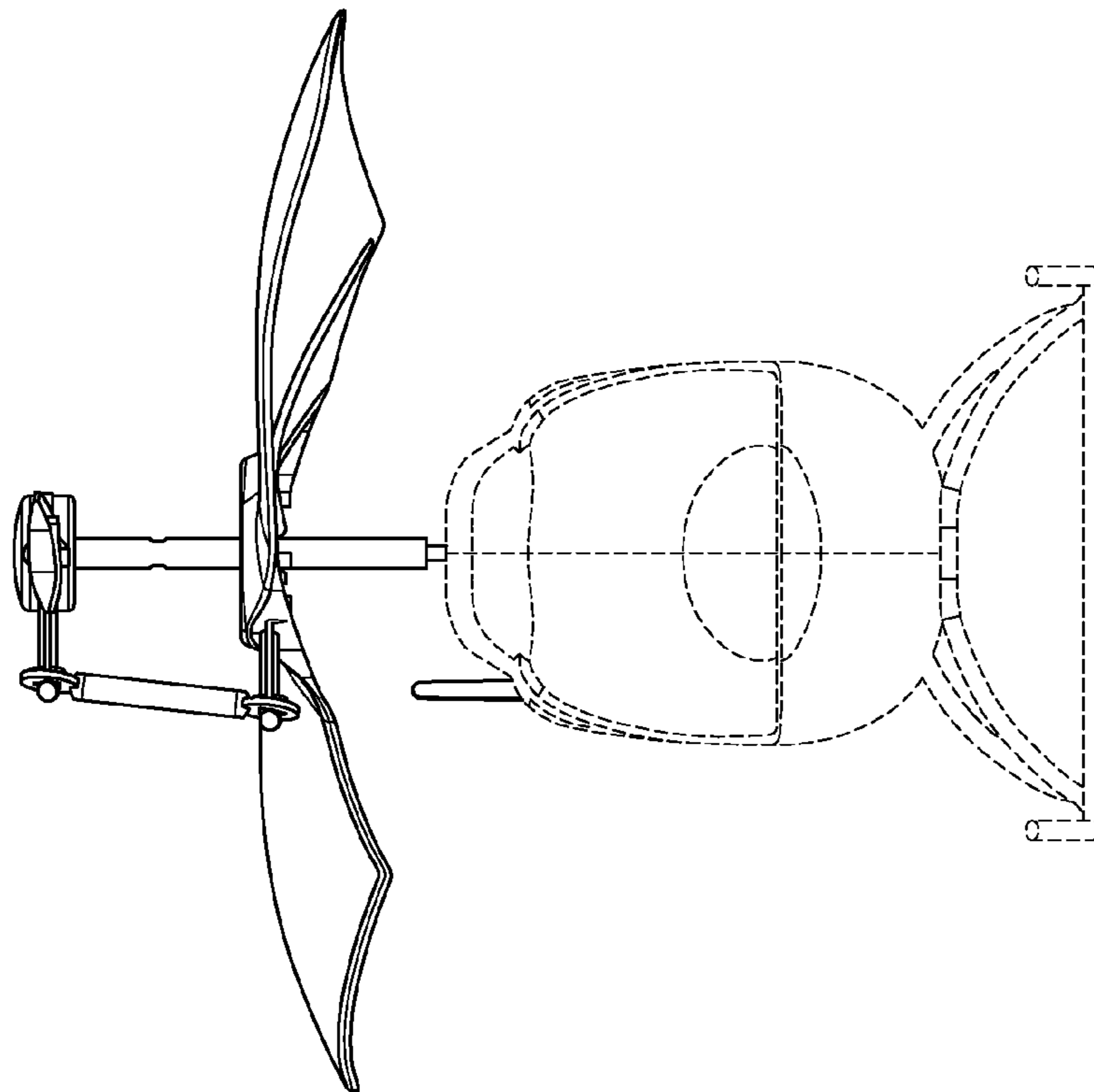


FIG. 3

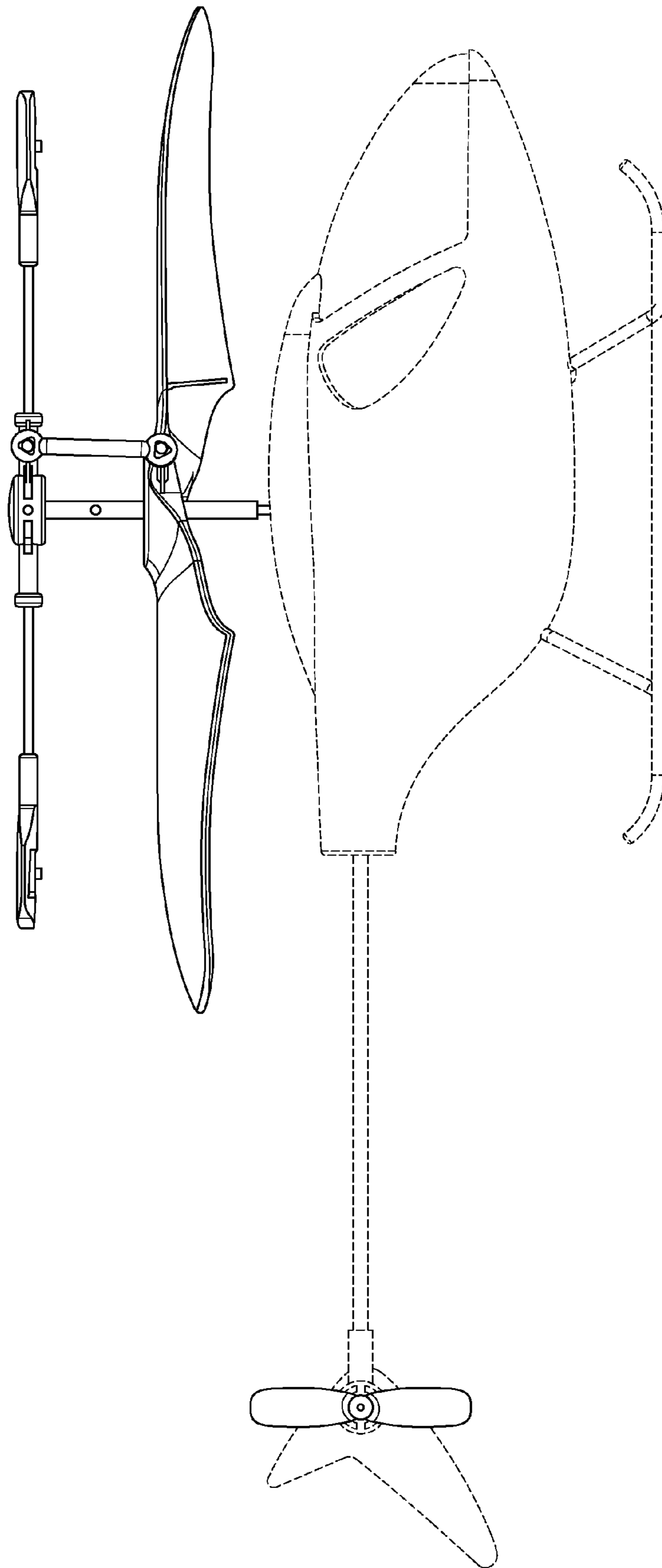
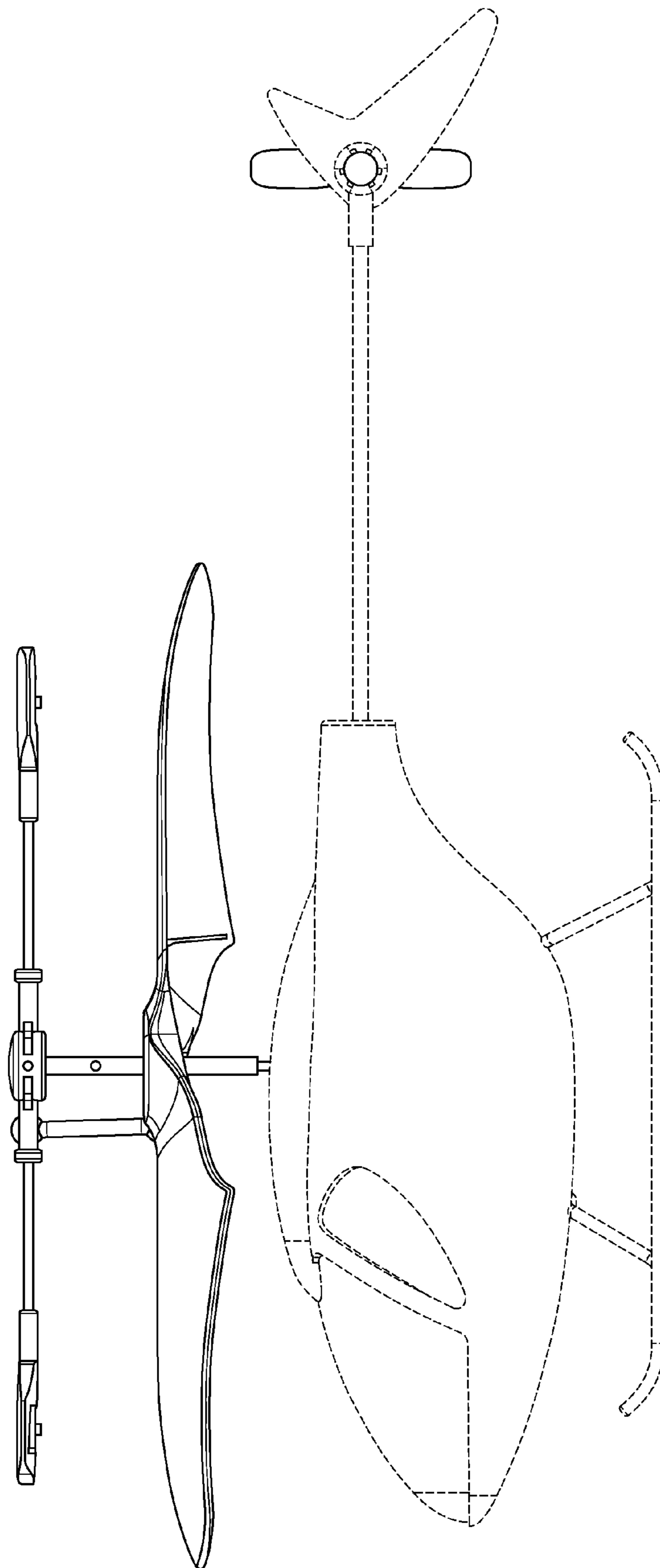
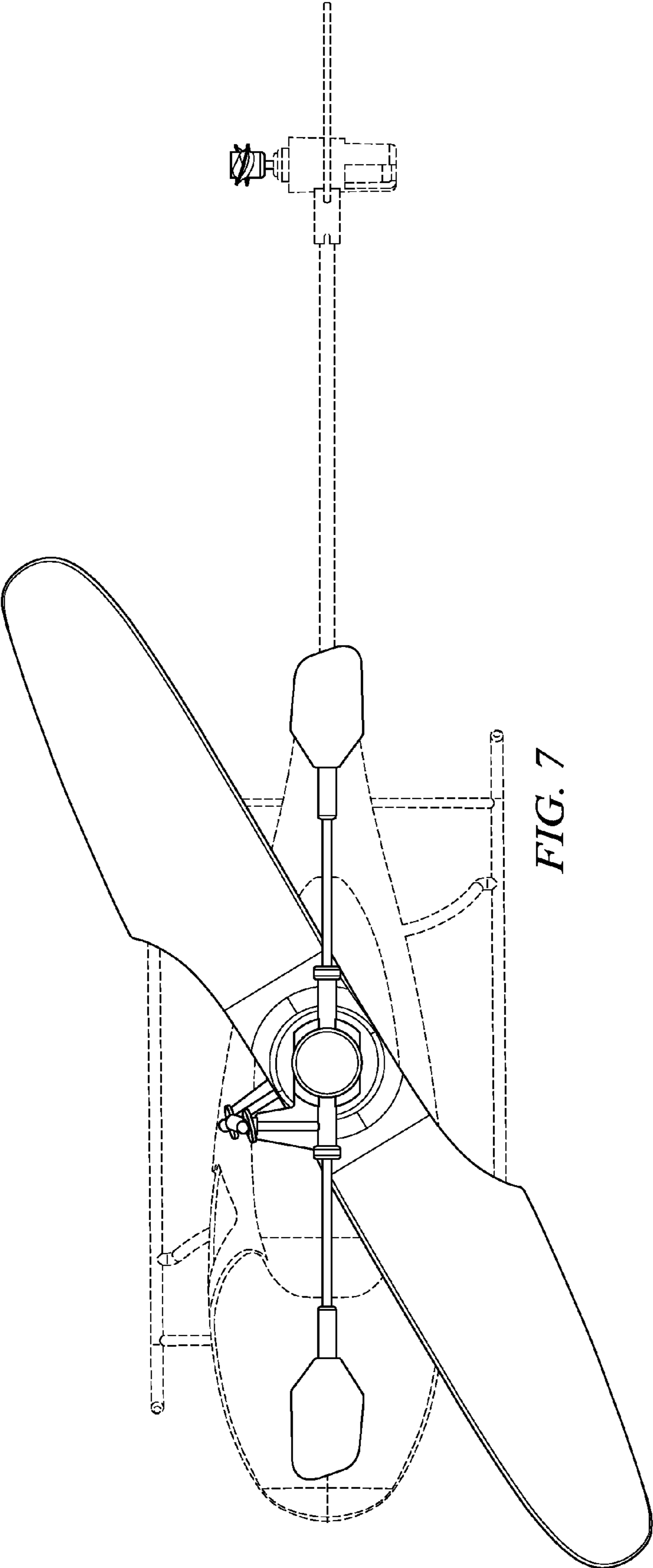


FIG. 5





*FIG. 6*



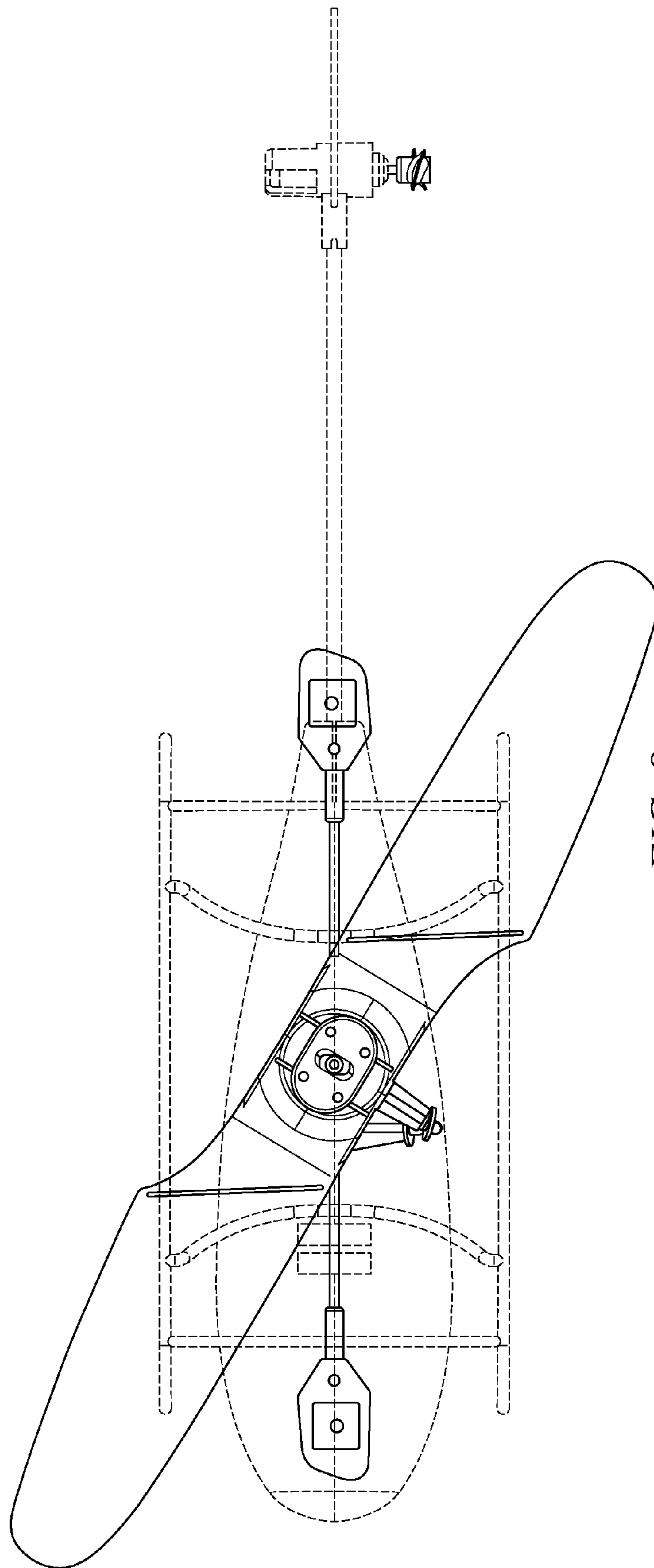


FIG. 8