



US00D623702S

(12) **United States Design Patent**
Dalgaard et al.

(10) **Patent No.:** **US D623,702 S**
(45) **Date of Patent:** **** Sep. 14, 2010**

(54) **CASTER SCOOTER**

(75) Inventors: **Martin Dalgaard**, Topanga, CA (US);
James Ibon, Porter Ranch, CA (US)

(73) Assignee: **Jasun Weiner**, Laguna Beach, CA (US)

(**) Term: **14 Years**

(21) Appl. No.: **29/345,597**

(22) Filed: **Oct. 19, 2009**

(51) **LOC (9) Cl.** **21-01**

(52) **U.S. Cl.** **D21/423; D21/771**

(58) **Field of Classification Search** D21/419,
D21/421, 423, 426, 769, 760, 765, 771, 803;
D12/1, 8; 280/14.21, 14.25, 14.26, 87.041,
280/87.042, 263, 288.1, 288.2, 288.4, 200,
280/214, 809; 180/180, 181

See application file for complete search history.

(56) **References Cited**

U.S. PATENT DOCUMENTS

D399,902 S *	10/1998	Lee	D21/765
D418,567 S *	1/2000	Robinette	D21/760
6,481,913 B2	11/2002	Chen		
D470,898 S *	2/2003	Chen	D21/423
D479,734 S *	9/2003	Schaffer et al.	D21/423
D516,132 S	2/2006	Sramek		
D552,201 S *	10/2007	Kwak	D21/765
7,338,056 B2	3/2008	Chen et al.		
D569,448 S	5/2008	Sramek et al.		
7,367,572 B2 *	5/2008	Jiang	280/87.042
D572,332 S *	7/2008	Sramek et al.	D21/765
D575,352 S	8/2008	Sramek et al.		
D583,006 S *	12/2008	Hennings, III	D21/803
7,600,768 B2	10/2009	Chen et al.		
2002/0067018 A1	6/2002	Shaw		
2002/0105157 A1 *	8/2002	Chen	280/87.041

2006/0055137 A1 *	3/2006	Jiang	280/87.042
2006/0163830 A1 *	7/2006	Kwak	280/87.042
2007/0001414 A1 *	1/2007	Kang	280/87.041
2007/0273118 A1	11/2007	Conrad		
2009/0058028 A1 *	3/2009	Chen et al.	280/87.042

OTHER PUBLICATIONS

Street Surfing LLC; The Wave Owner's Manual; 2005; 4 pages.
Razor USA LLC; Razor Kick Scooter Owner's Manual: A-Type, Cruiser & ProModel Scooter; 2007; 6 pages.
Razor USA LLC; Ripstick Caster Board Owner's Manual; Revision: Jan. 25, 2008; 4 pages.

* cited by examiner

Primary Examiner—Cynthia M Chin

(74) *Attorney, Agent, or Firm*—Mind Law Firm, P.C.;
Jerome V. Sartain; Justin G. Sanders

(57) **CLAIM**

The ornamental design for caster scooter, as shown and described.

DESCRIPTION

FIG. 1 is a perspective view of a scooter showing the new design;

FIG. 2 is a top plan view of the scooter of FIG. 1;

FIG. 3 is a bottom plan view of the scooter of FIG. 1;

FIG. 4 is a side elevational view of the scooter of FIG. 1;

FIG. 5 is another side elevational view of the scooter of FIG. 1;

FIG. 6 is a front elevational view of the scooter of FIG. 1; and,
FIG. 7 is a rear elevational view of the scooter of FIG. 1.

The broken lines represent portions of the design and the environment in which it resides and forms no part of the claim.

1 Claim, 6 Drawing Sheets

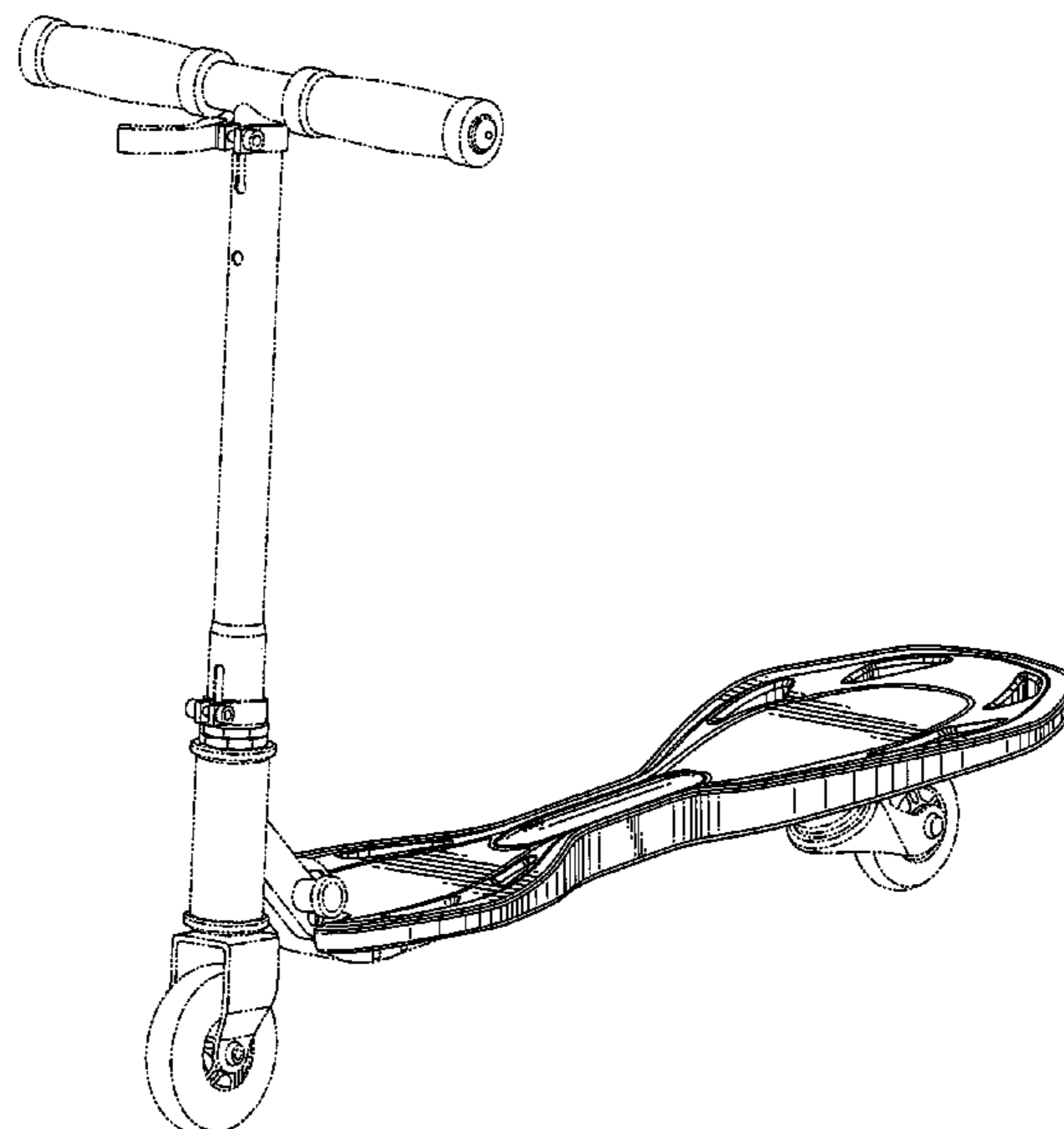
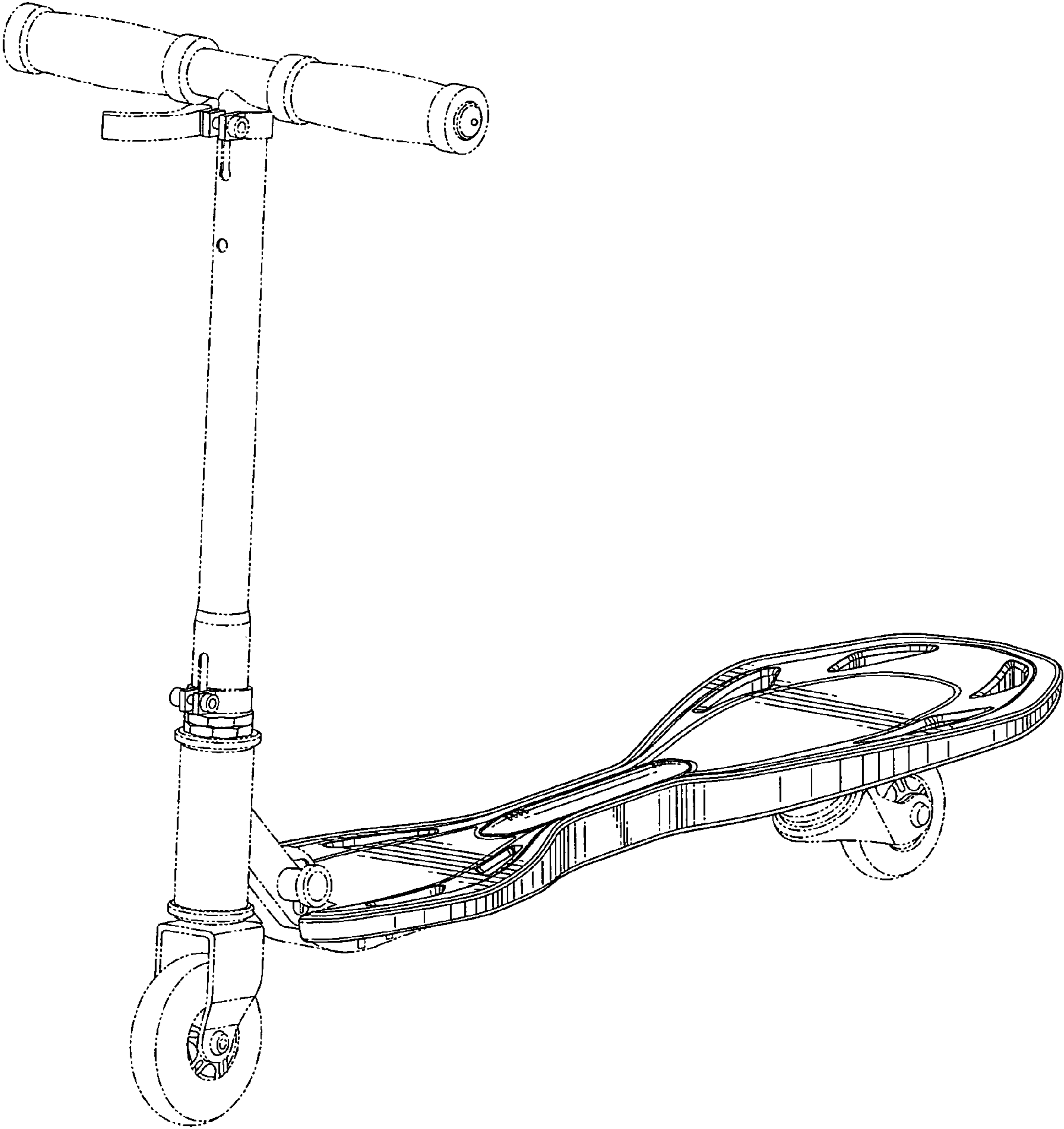


FIG. 1



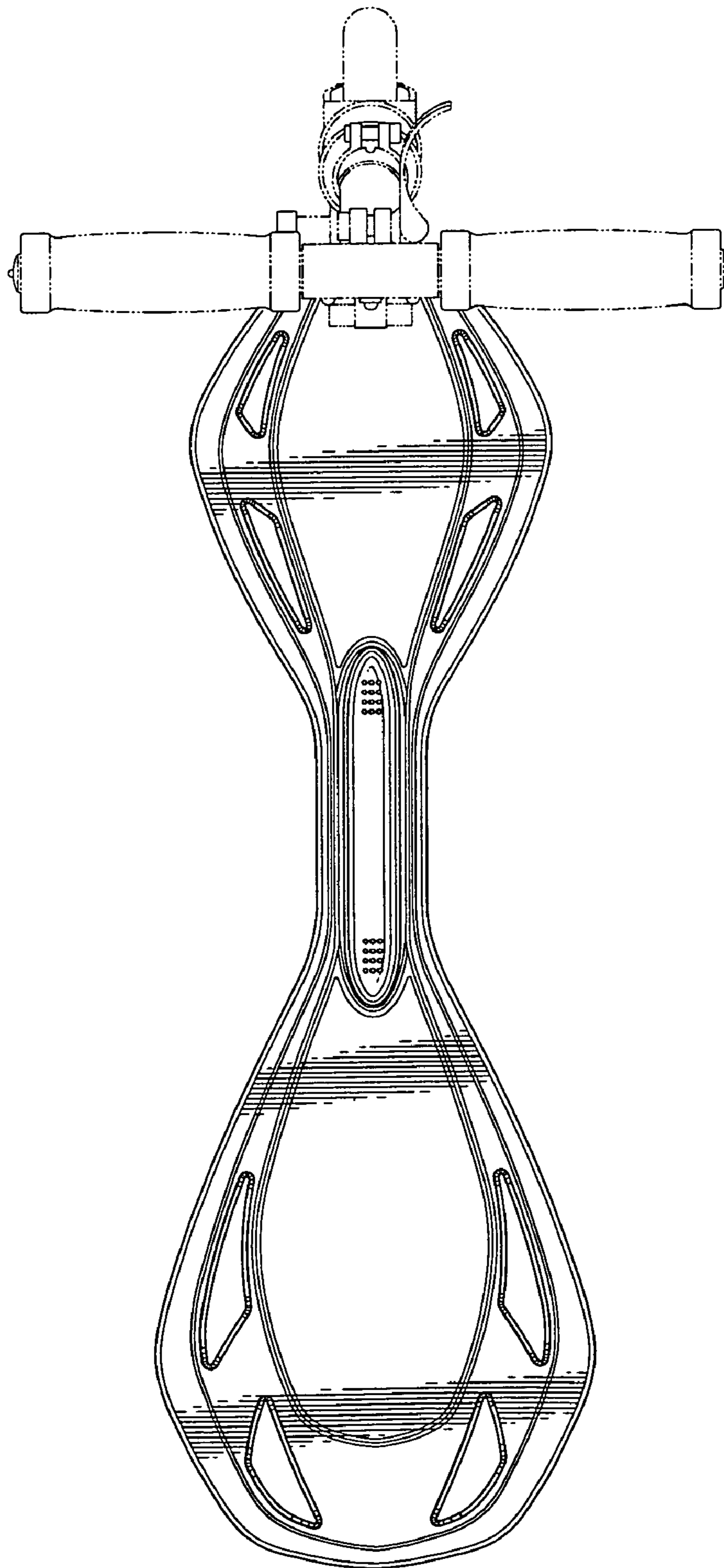


FIG. 2

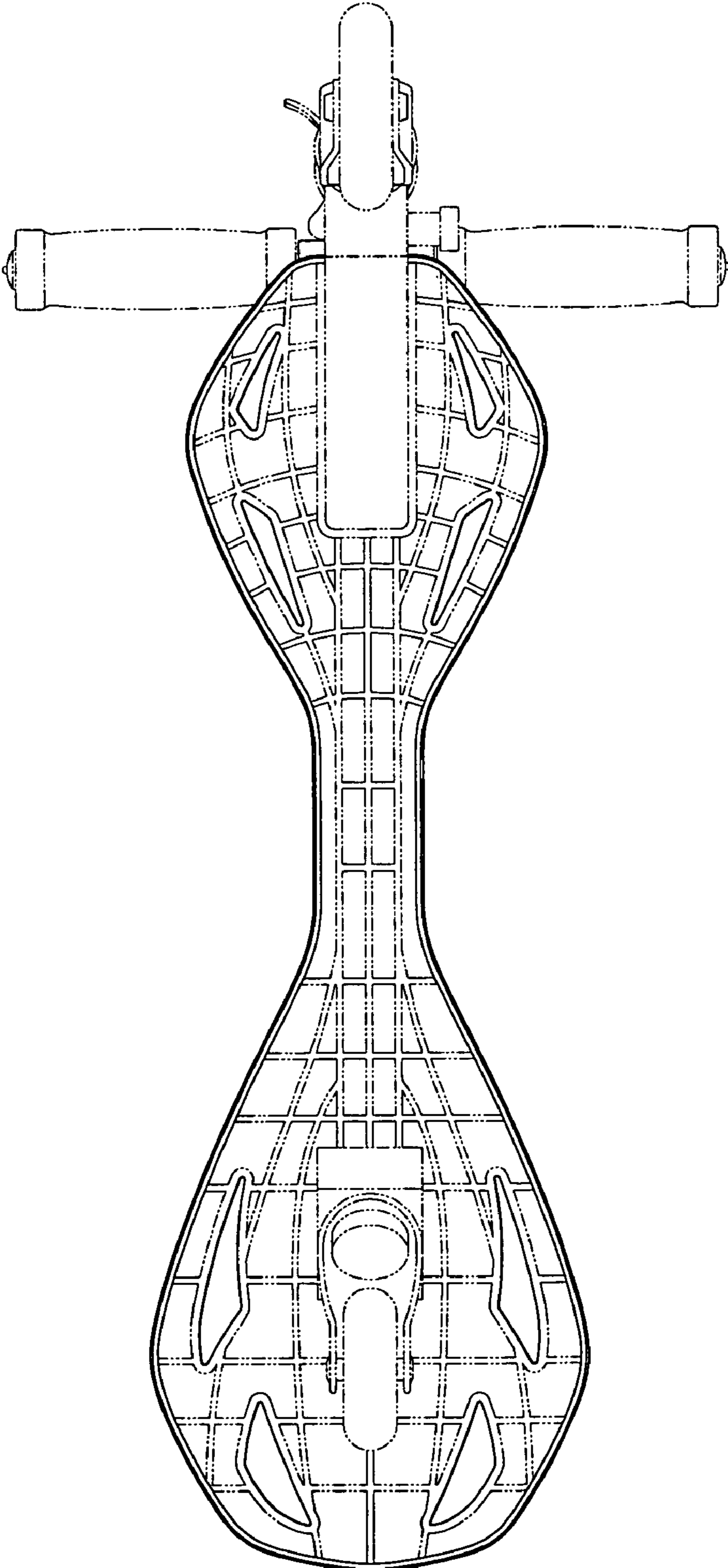


FIG. 3

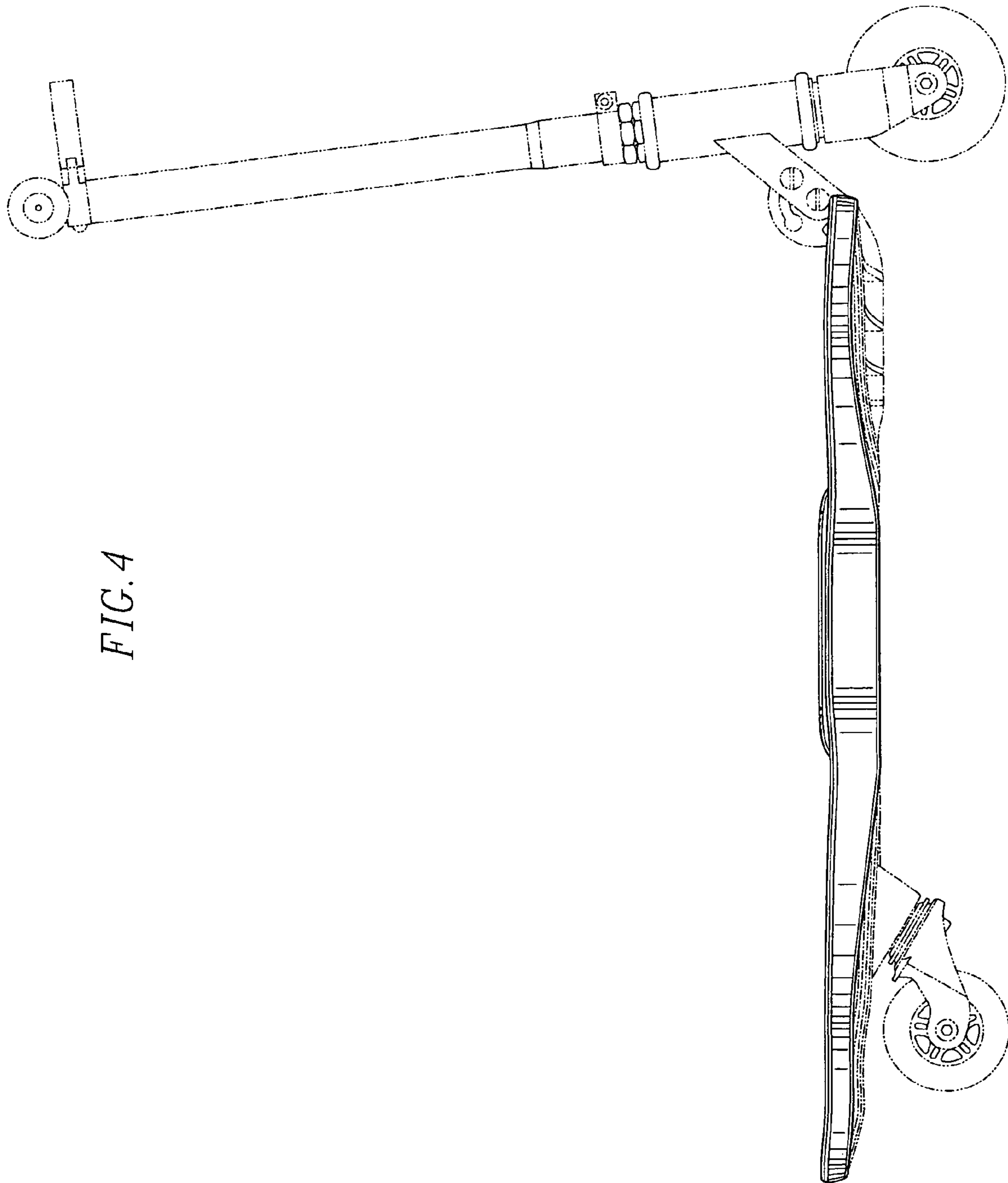


FIG. 4

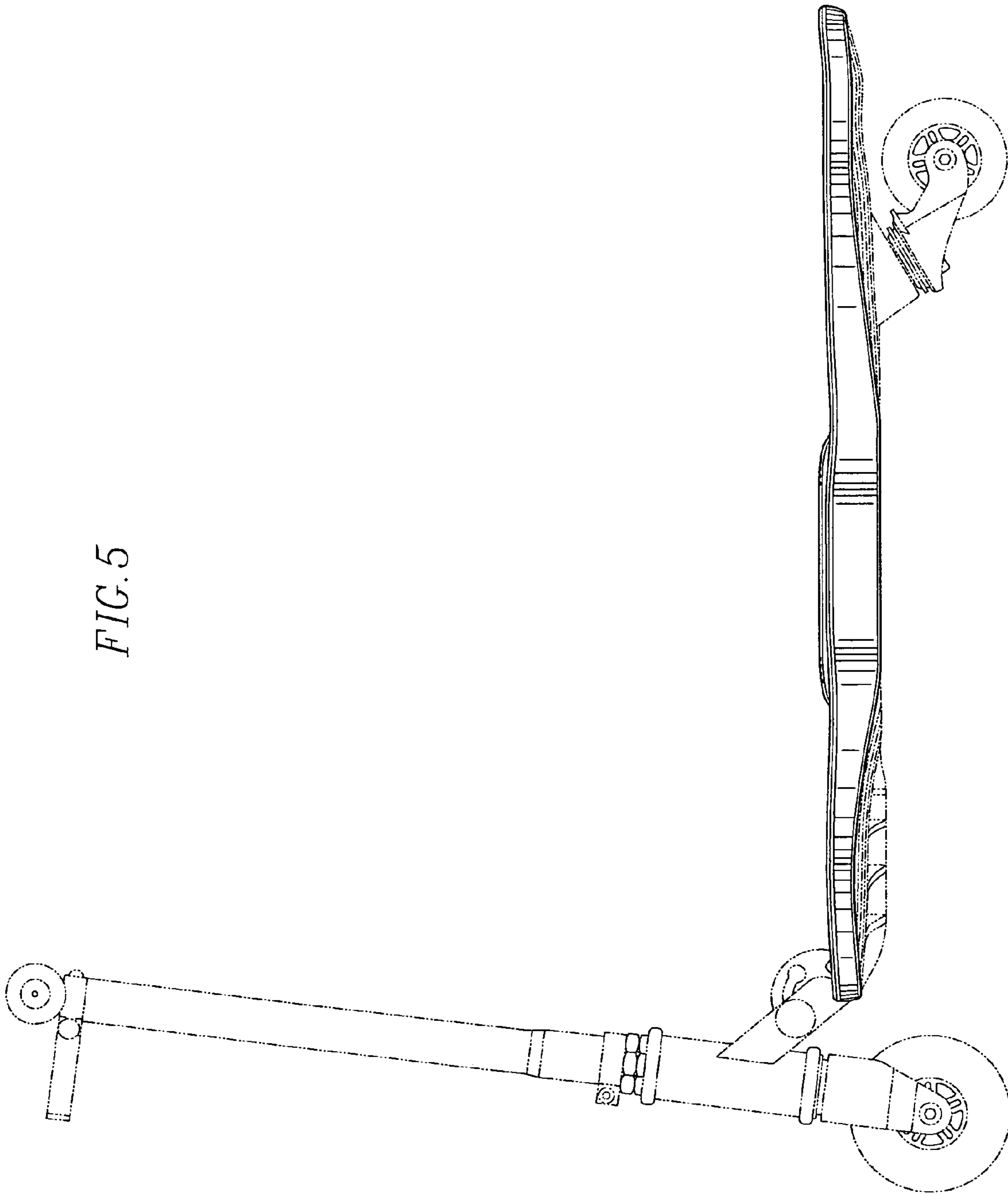


FIG. 5

