



US00D623701S

(12) **United States Design Patent**
Dalgaard et al.

(10) **Patent No.:** **US D623,701 S**

(45) **Date of Patent:** **** Sep. 14, 2010**

(54) **CASTER SCOOTER**

(75) Inventors: **Martin Dalgaard**, Topanga, CA (US);
James Ibon, Porter Ranch, CA (US)

(73) Assignee: **Jasun Weiner**, Laguna Beach, CA (US)

(**) Term: **14 Years**

(21) Appl. No.: **29/345,596**

(22) Filed: **Oct. 19, 2009**

(51) **LOC (9) Cl.** **21-01**

(52) **U.S. Cl.** **D21/423; D21/771**

(58) **Field of Classification Search** D21/419,
D21/421, 423, 426, 769, 760, 765, 771, 803;
D12/1, 8; 280/14.21, 14.25, 14.26, 87.041,
280/87.042, 263, 288.1, 288.2, 288.4, 200,
280/214, 809; 180/180, 181

See application file for complete search history.

(56) **References Cited**

U.S. PATENT DOCUMENTS

4,082,306	A *	4/1978	Sheldon	280/87.042
D261,544	S *	10/1981	Cramer	D21/765
D418,567	S *	1/2000	Robinette	D21/760
6,481,913	B2	11/2002	Chen		
D470,898	S *	2/2003	Chen	D21/423
D479,734	S *	9/2003	Schaffer et al.	D21/423
6,834,867	B2 *	12/2004	Smith	280/14.21
D516,132	S	2/2006	Sramek		
D552,201	S *	10/2007	Kwak	D21/765
7,338,056	B2 *	3/2008	Chen et al.	280/87.042
7,347,431	B2 *	3/2008	Hill et al.	280/87.042
D569,448	S	5/2008	Sramek et al.		
7,367,572	B2 *	5/2008	Jiang	280/87.042
D572,332	S	7/2008	Sramek et al.		
D575,352	S	8/2008	Sramek et al.		
D577,789	S *	9/2008	Mazur	D21/765
D583,006	S *	12/2008	Hennings, III	D21/803
7,484,742	B2 *	2/2009	Choi	280/87.042
7,600,768	B2	10/2009	Chen et al.		

2002/0067018	A1	6/2002	Shaw		
2002/0105157	A1 *	8/2002	Chen	280/87.041
2004/0262872	A1 *	12/2004	Kang	280/87.042
2006/0055137	A1 *	3/2006	Jiang	280/87.042
2006/0163830	A1 *	7/2006	Kwak	280/87.042

(Continued)

OTHER PUBLICATIONS

Street Surfing LLC; The Wave Owner's Manual; 2005; 4 pages.

(Continued)

Primary Examiner—Cynthia M Chin
(74) *Attorney, Agent, or Firm*—Mind Law Firm, P.C.;
Jeromye V. Sartain; Justin G. Sanders

(57) **CLAIM**

The ornamental design for caster scooter, as shown and described.

DESCRIPTION

FIG. 1 is a perspective view of a scooter showing the new design;

FIG. 2 is a top plan view of the scooter of FIG. 1;

FIG. 3 is a bottom plan view of the scooter of FIG. 1;

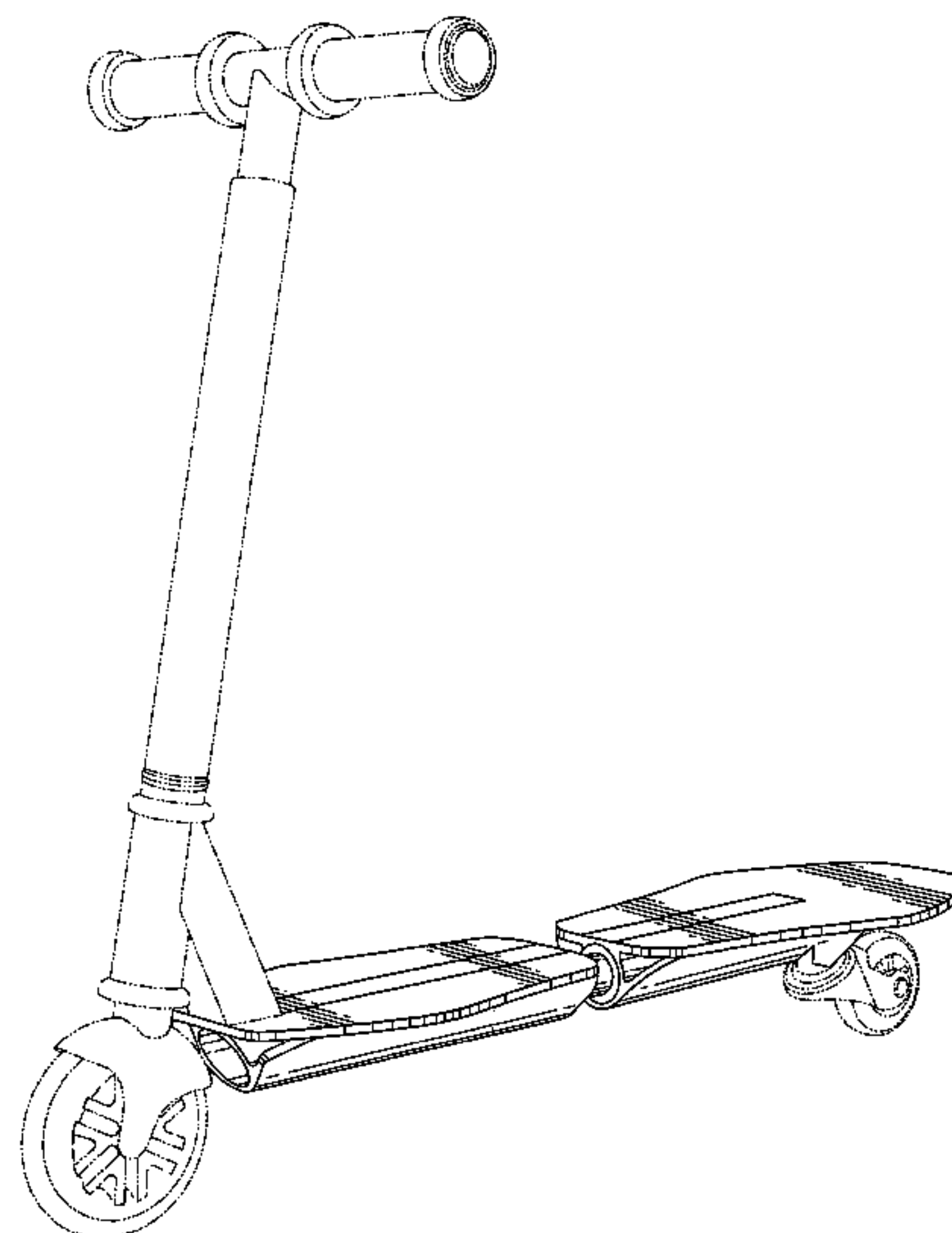
FIG. 4 is a side elevational view of the scooter of FIG. 1;

FIG. 5 is a front elevational view of the scooter of FIG. 1; and,

FIG. 6 is a rear elevational view of the scooter of FIG. 1.

The broken lines represent portions of the design and the environment in which it resides and forms no part of the claim.

1 Claim, 5 Drawing Sheets



US D623,701 S

Page 2

U.S. PATENT DOCUMENTS

2007/0001414 A1* 1/2007 Kang 280/87.041
2007/0273118 A1* 11/2007 Conrad 280/87.042
2009/0058028 A1* 3/2009 Chen et al. 280/87.042
2009/0134591 A1* 5/2009 Chen et al. 280/87.042
2009/0200764 A1* 8/2009 Jang et al. 280/87.042

OTHER PUBLICATIONS

Razor USA LLC; Razor Kick Scooter Owner's Manual: A-Type, Cruiser & ProModel Scooter; 2007; 6 pages.

Razor USA LLC; Ripstick Caster Board Owner's Manual; Revision: Jan. 25, 2008; 4 pages.

* cited by examiner

FIG. 1

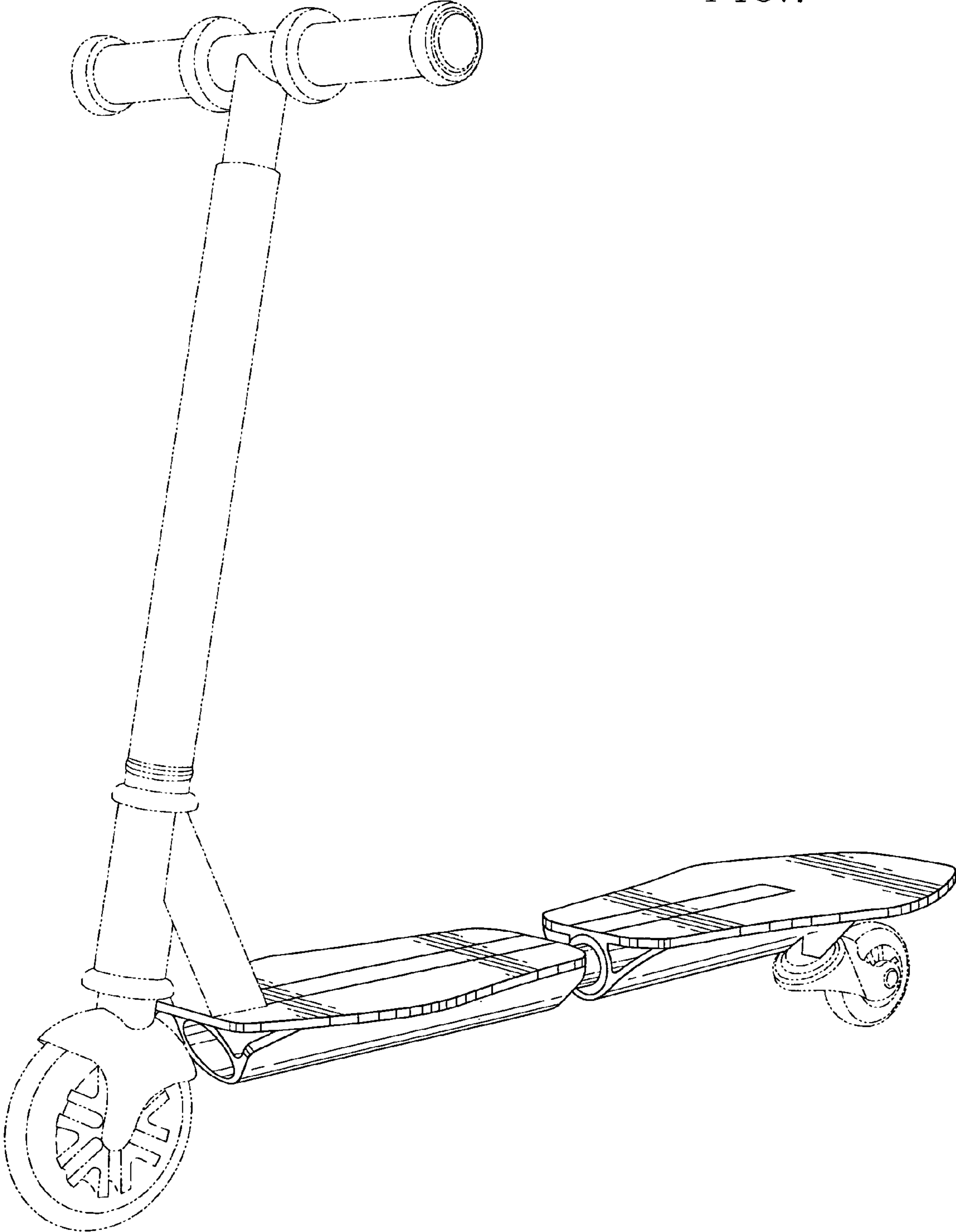


FIG. 2

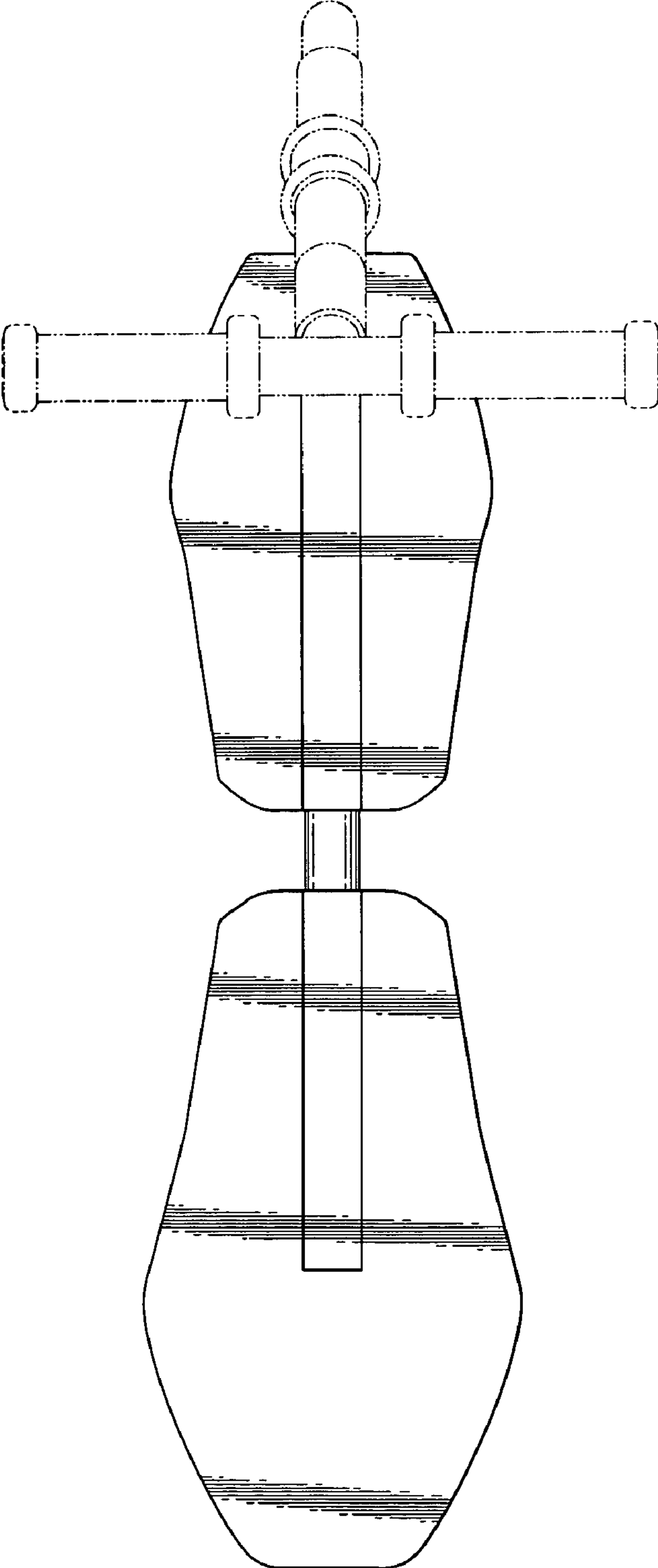
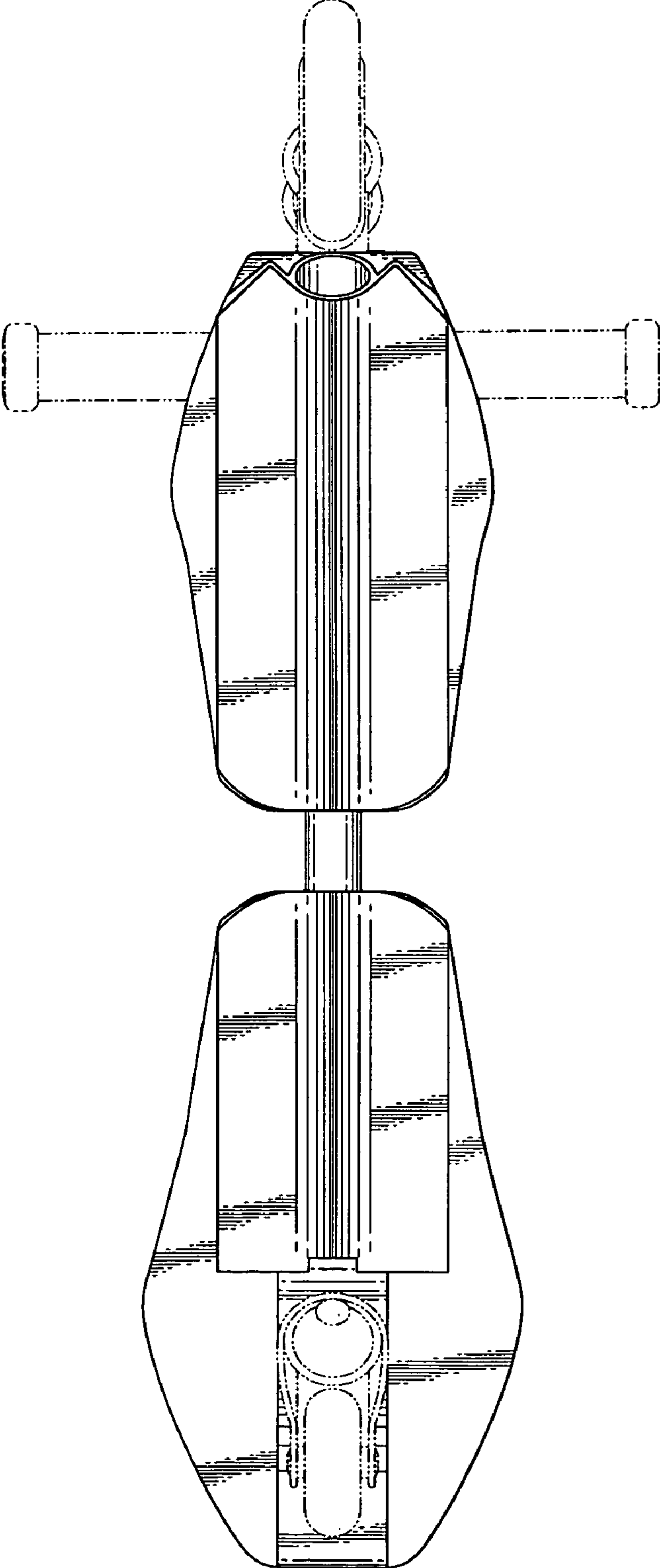


FIG. 3



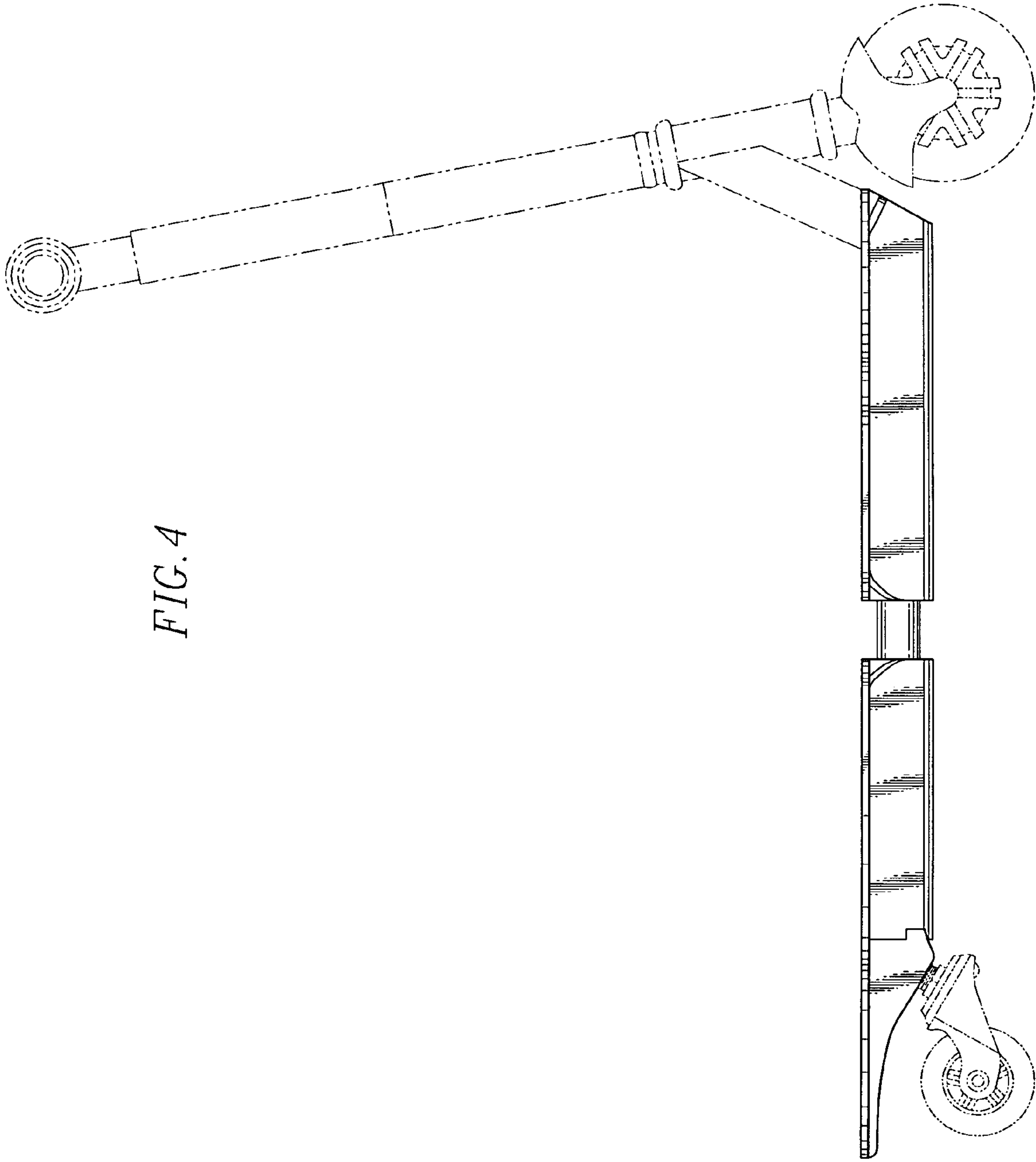


FIG. 4

