

US00D623694S

(12) **United States Design Patent**
Tomiyoshi et al.

(10) **Patent No.:** **US D623,694 S**

(45) **Date of Patent:** **** Sep. 14, 2010**

(54) **DOCUMENT VALIDATOR**

(75) Inventors: **Tetsuya Tomiyoshi**, Osaka (JP);
Tomonori Kitano, Osaka (JP)

(73) Assignee: **Japan Cash Machine Co., Ltd.**, Osaka (JP)

(**) Term: **14 Years**

(21) Appl. No.: **29/326,472**

(22) Filed: **Oct. 20, 2008**

(30) **Foreign Application Priority Data**

Apr. 21, 2008 (JP) 2008-010261

(51) **LOC (9) Cl.** **20-01**

(52) **U.S. Cl.** **D20/8**

(58) **Field of Classification Search** D20/1-9,
D20/99; 194/206, 217, 229, 232, 239, 302,
194/342, 344, 350, 750; D18/3.1, 3.2, 3.3;
D99/28; 209/534; 271/177, 181, 240

See application file for complete search history.

(56) **References Cited**

U.S. PATENT DOCUMENTS

D288,377	S	*	2/1987	Kobayashi et al.	D20/9
D320,814	S	*	10/1991	Yukimoto et al.	D20/9
D321,013	S	*	10/1991	Yukimoto et al.	D20/9
D331,781	S	*	12/1992	Nishiumi et al.	D20/9
5,653,436	A	*	8/1997	Zouzoulas	271/177
D404,075	S	*	1/1999	Hatamachi et al.	D20/8
6,149,150	A	*	11/2000	Onipchenko et al.	271/240
D452,873	S		1/2002	Nakao		
D476,688	S	*	7/2003	Yu	D20/8
D477,902	S	*	7/2003	Bergeron et al.	D99/28
D488,512	S	*	4/2004	Knobel	D20/8
D490,473	S	*	5/2004	Knobel	D20/8
D523,482	S		6/2006	Uemizo		

D547,806	S	*	7/2007	Uemizo	D20/8
2002/0066636	A1	*	6/2002	Saltsov et al.	194/302
2004/0050651	A1	*	3/2004	Heidel	194/217
2006/0225987	A1	*	10/2006	Chien et al.	194/350
2008/0116034	A1	*	5/2008	Yang	194/350

FOREIGN PATENT DOCUMENTS

TW	488854	5/1990
TW	D112556	7/1994

* cited by examiner

Primary Examiner—Mary Ann Calabrese

(74) *Attorney, Agent, or Firm*—Bachman & LaPointe, PC

(57) **CLAIM**

The ornamental design for a document validator, as shown.

DESCRIPTION

FIG. 1 is a front elevation view of the document validator according to the new design;

FIG. 2 is a rear elevation view thereof;

FIG. 3 is a right side elevation view thereof;

FIG. 4 is a left side elevation view thereof;

FIG. 5 is a plan view thereof;

FIG. 6 is a bottom view thereof;

FIG. 7 is a front perspective view thereof from right upper side;

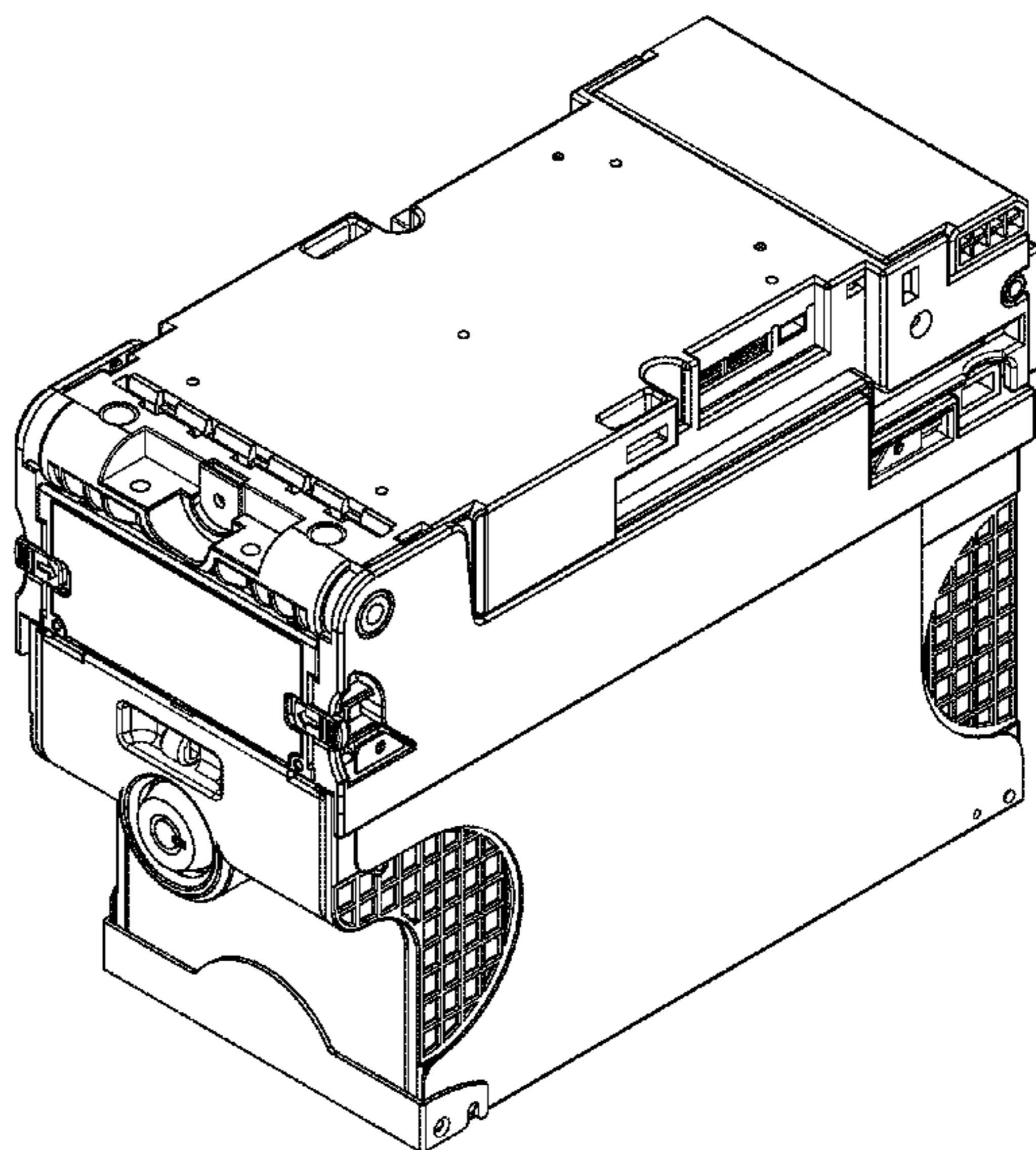
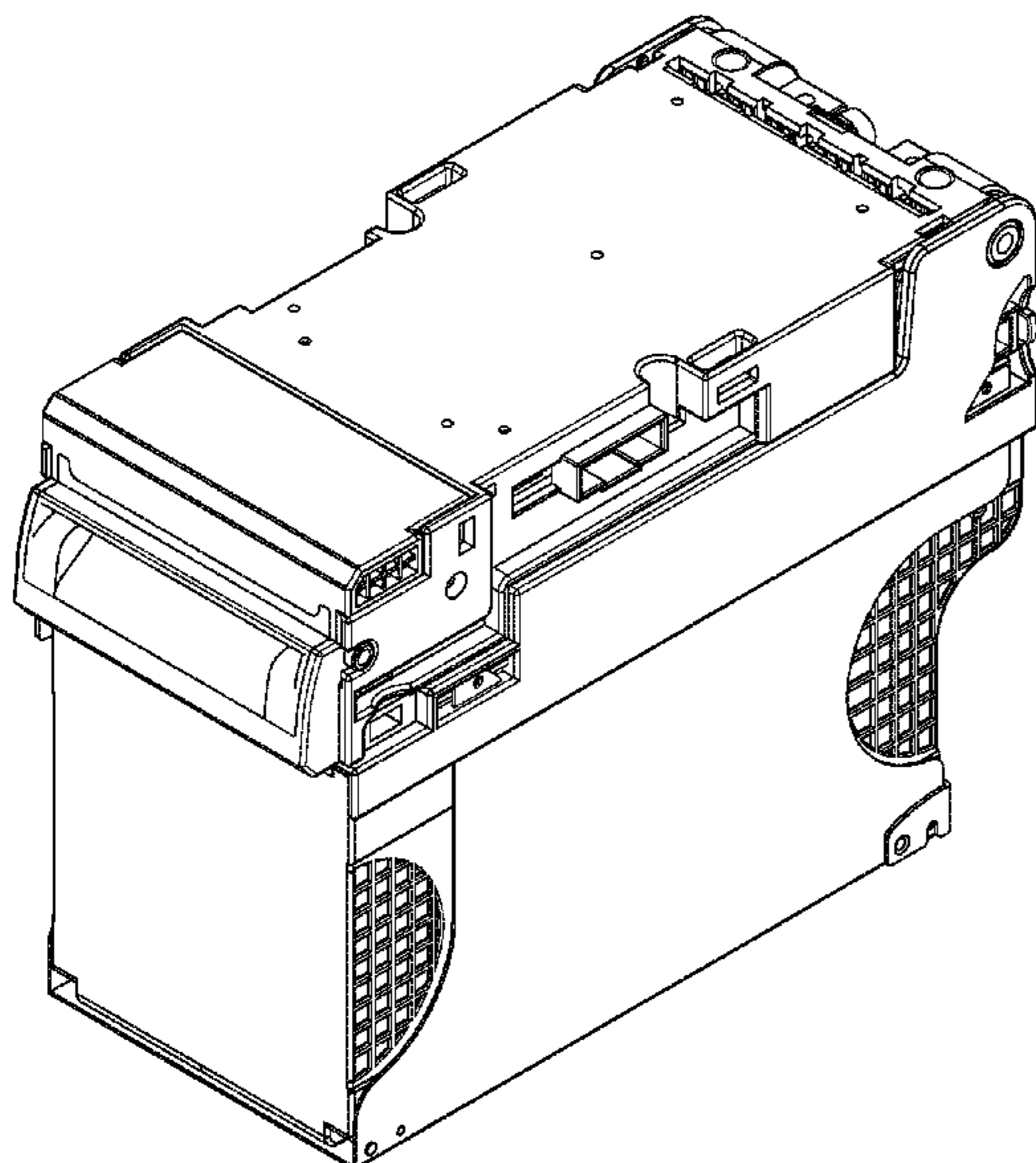
FIG. 8 is a front perspective view thereof from left upper side;

FIG. 9 is a rear perspective view thereof from right upper side; and,

FIG. 10 is a rear perspective view thereof from left upper side.

The broken line shown in the drawings represent unclaimed portions of the document validator.

1 Claim, 10 Drawing Sheets



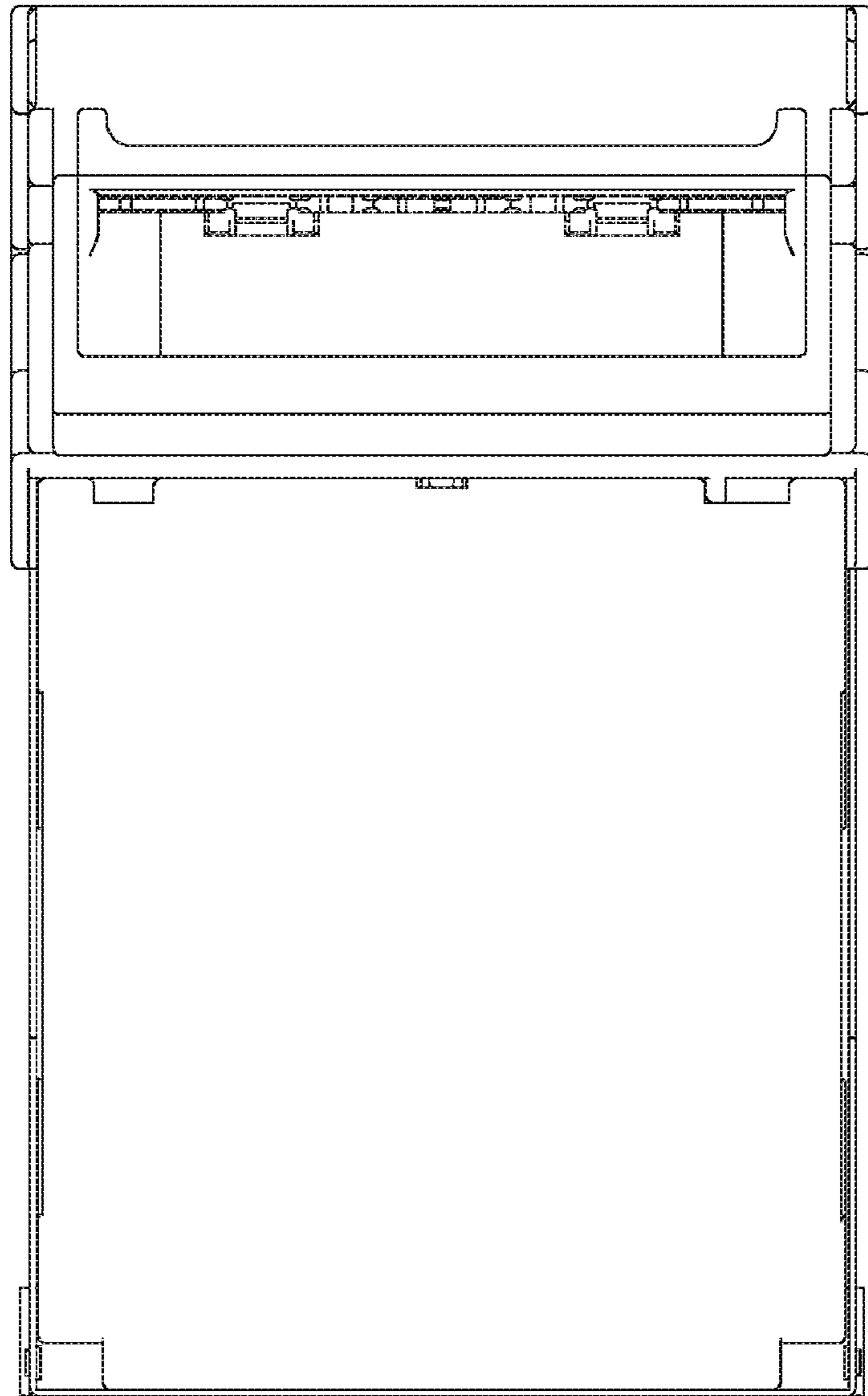


FIG. 1

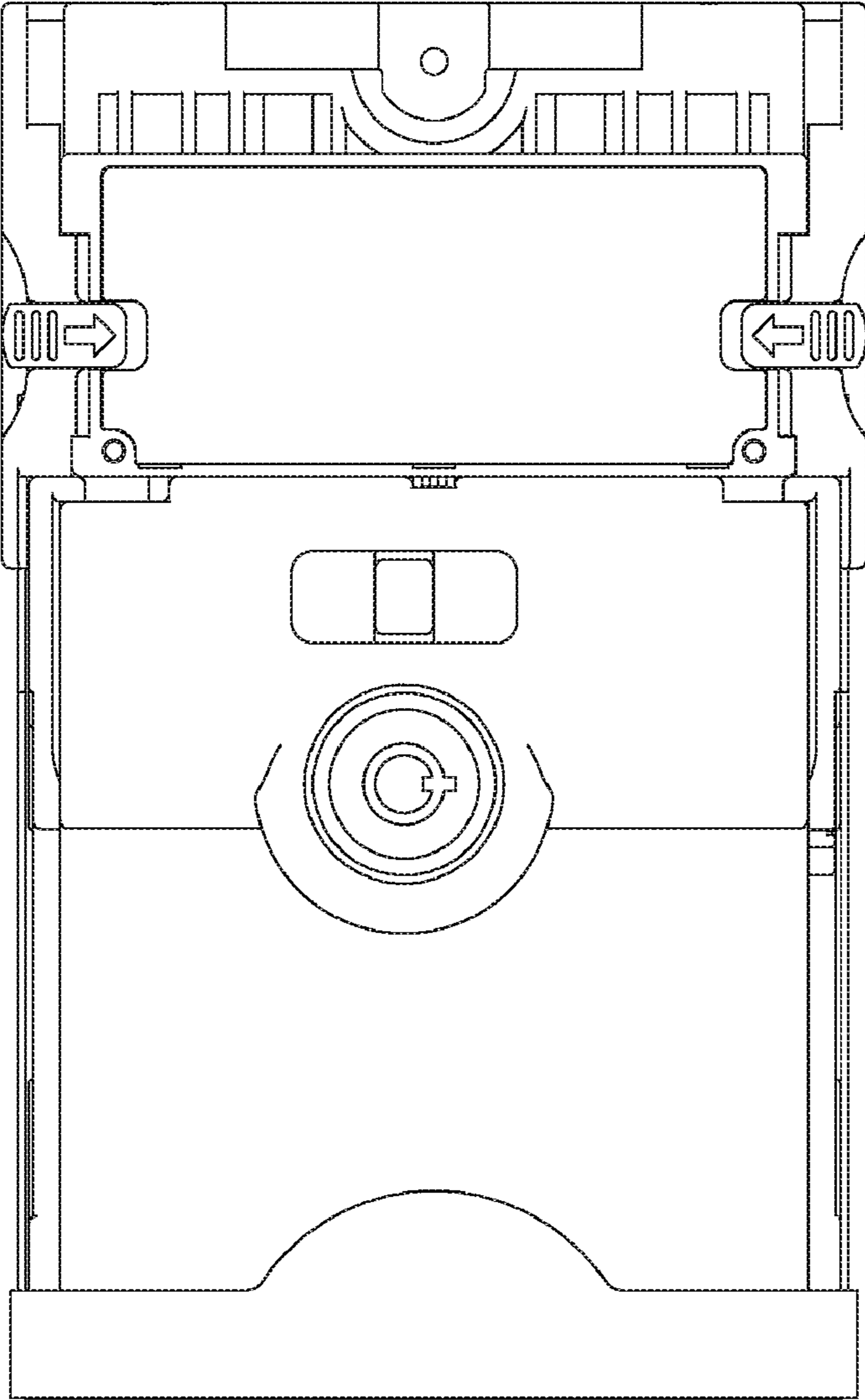


FIG. 2

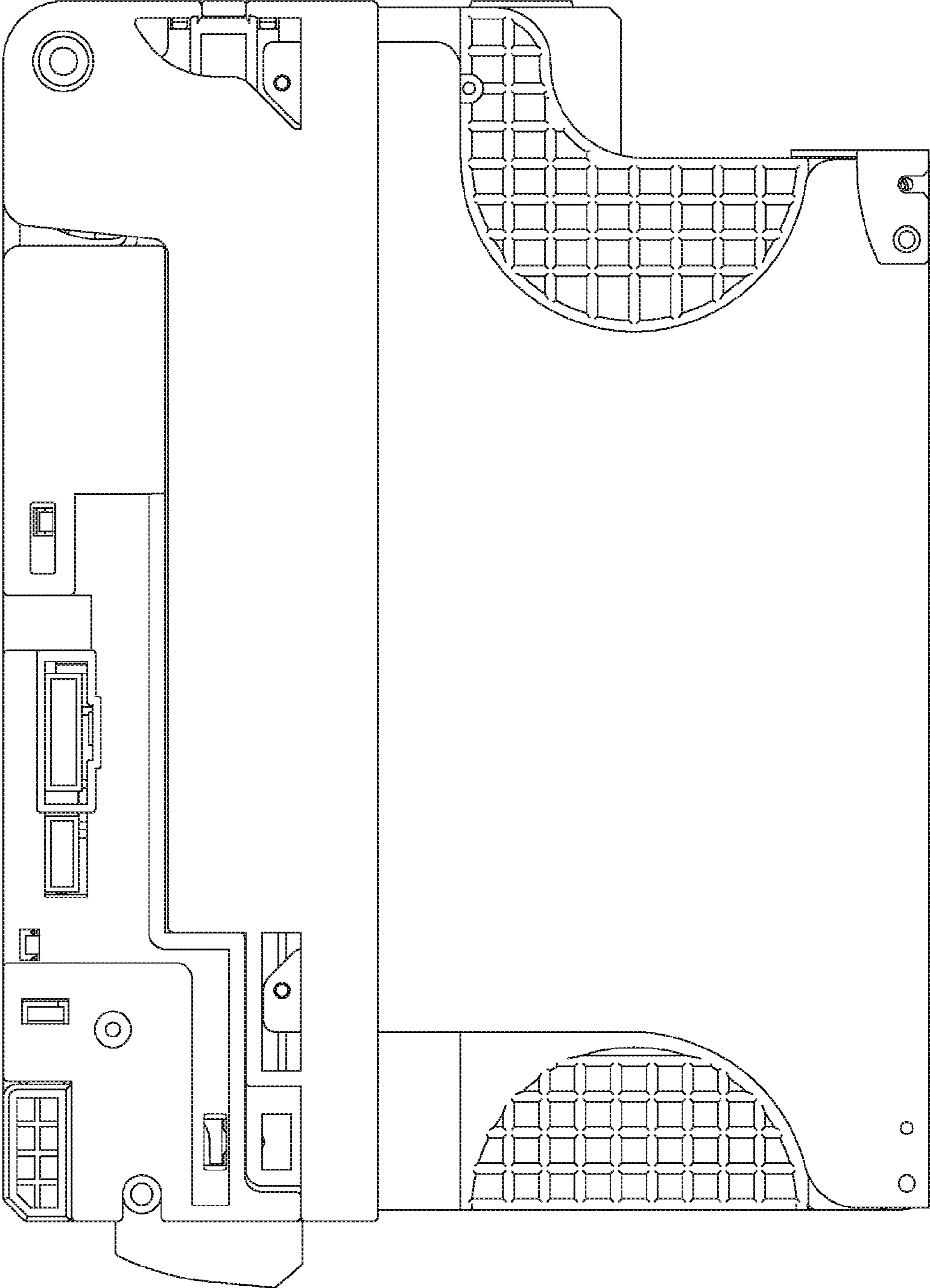


FIG. 3

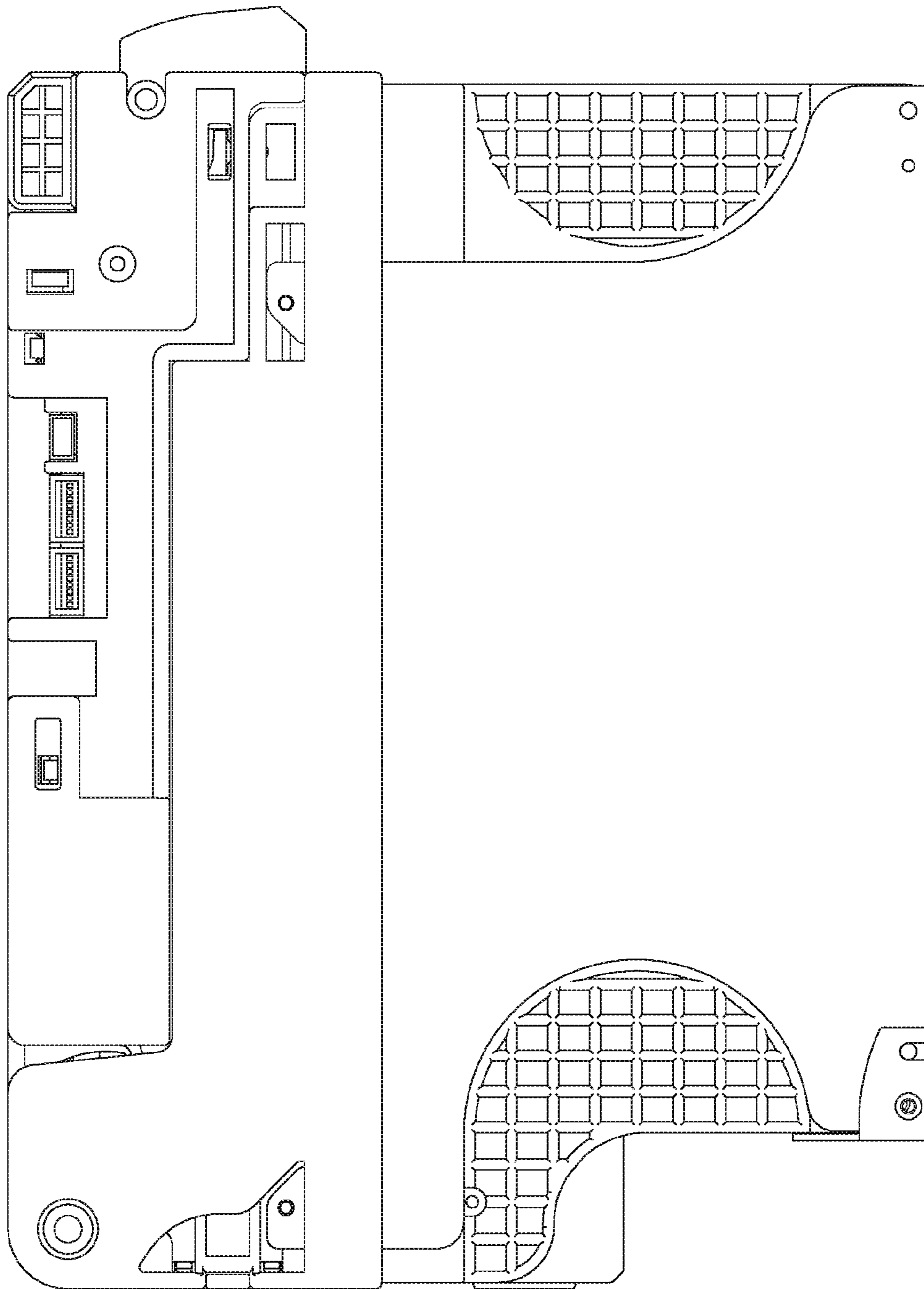


FIG. 4

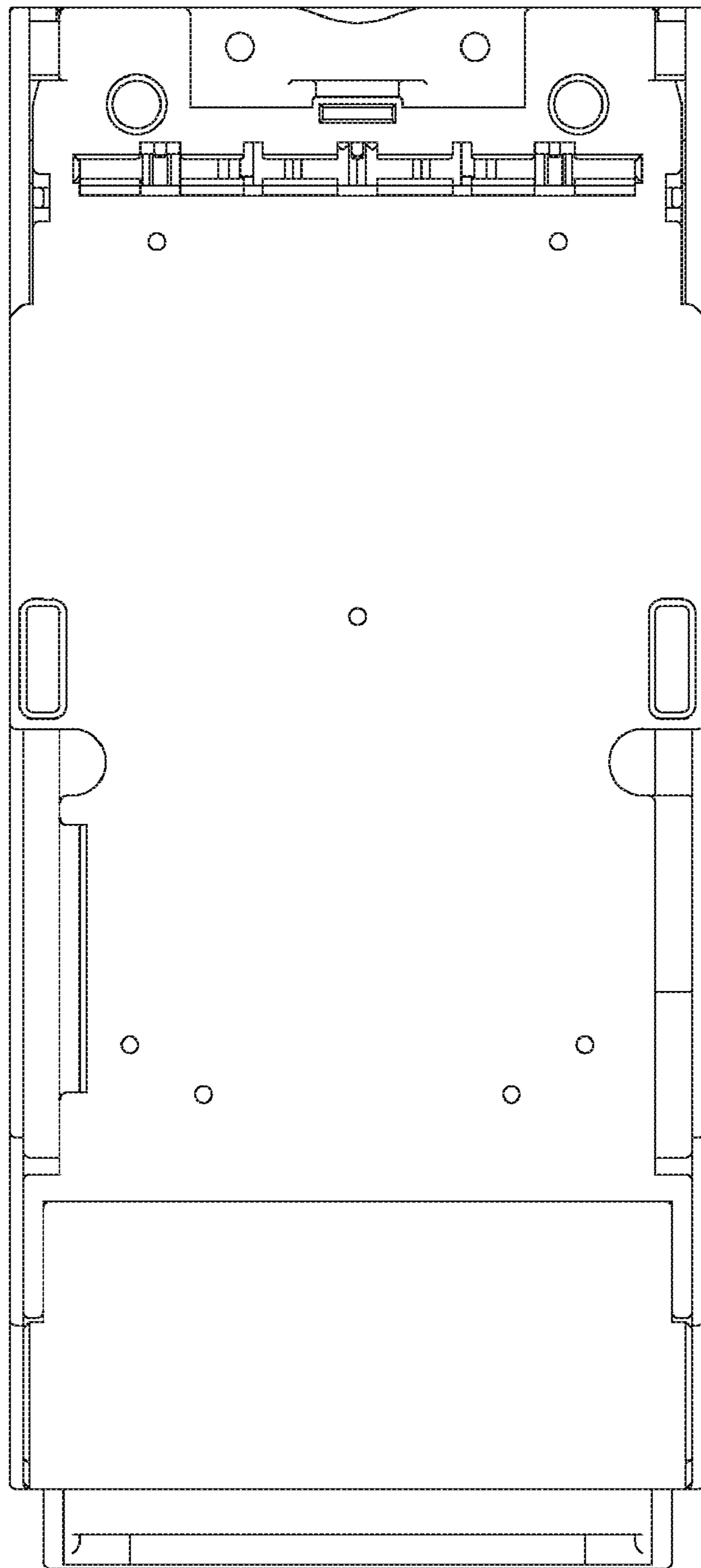


FIG. 5

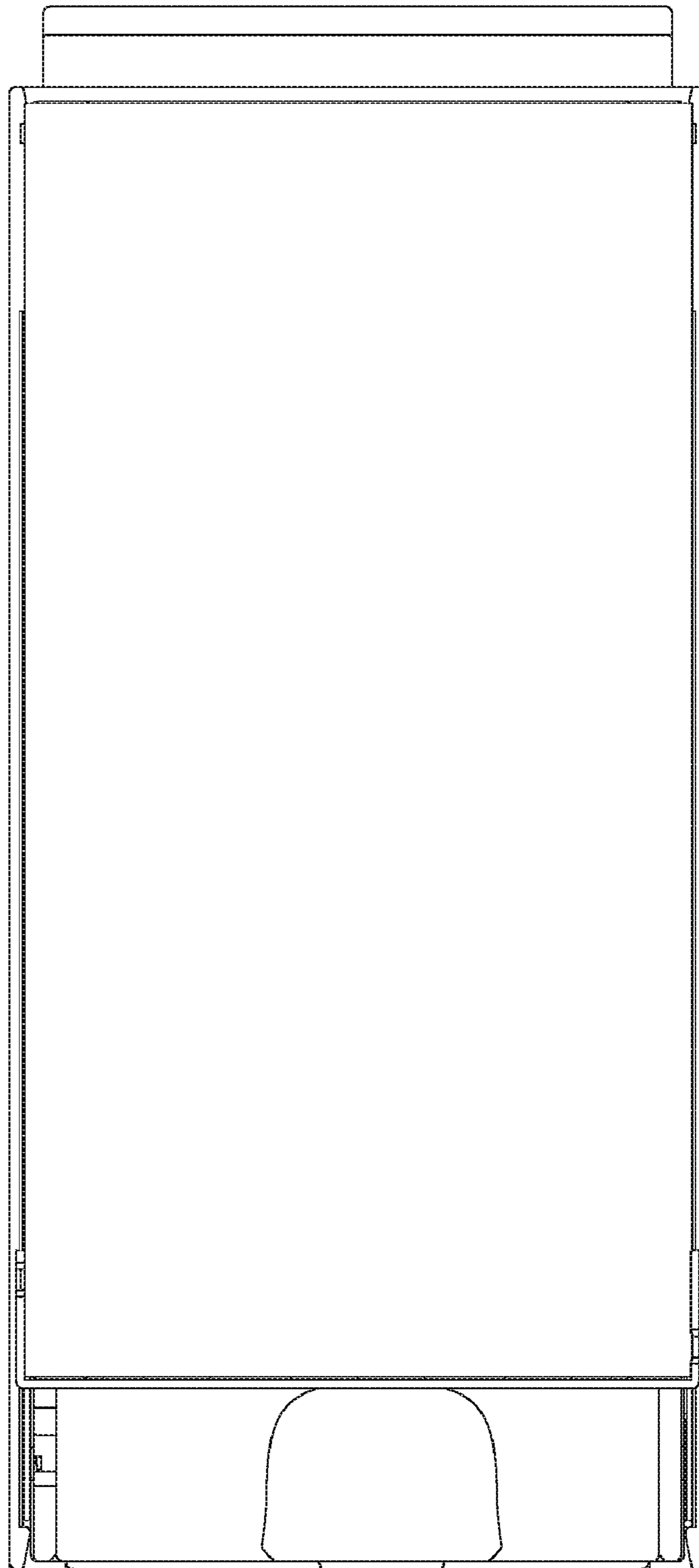


FIG. 6

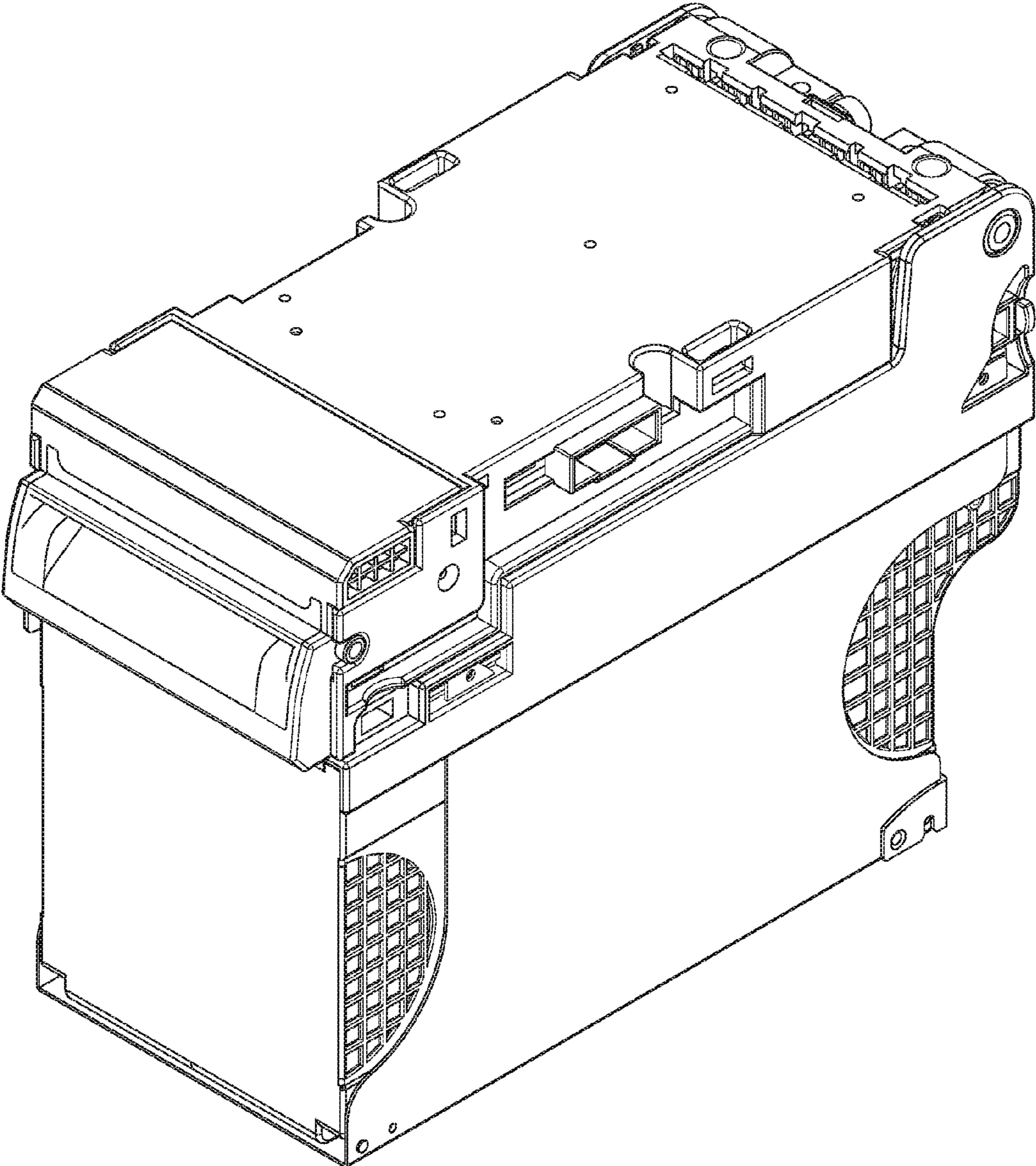


FIG. 7

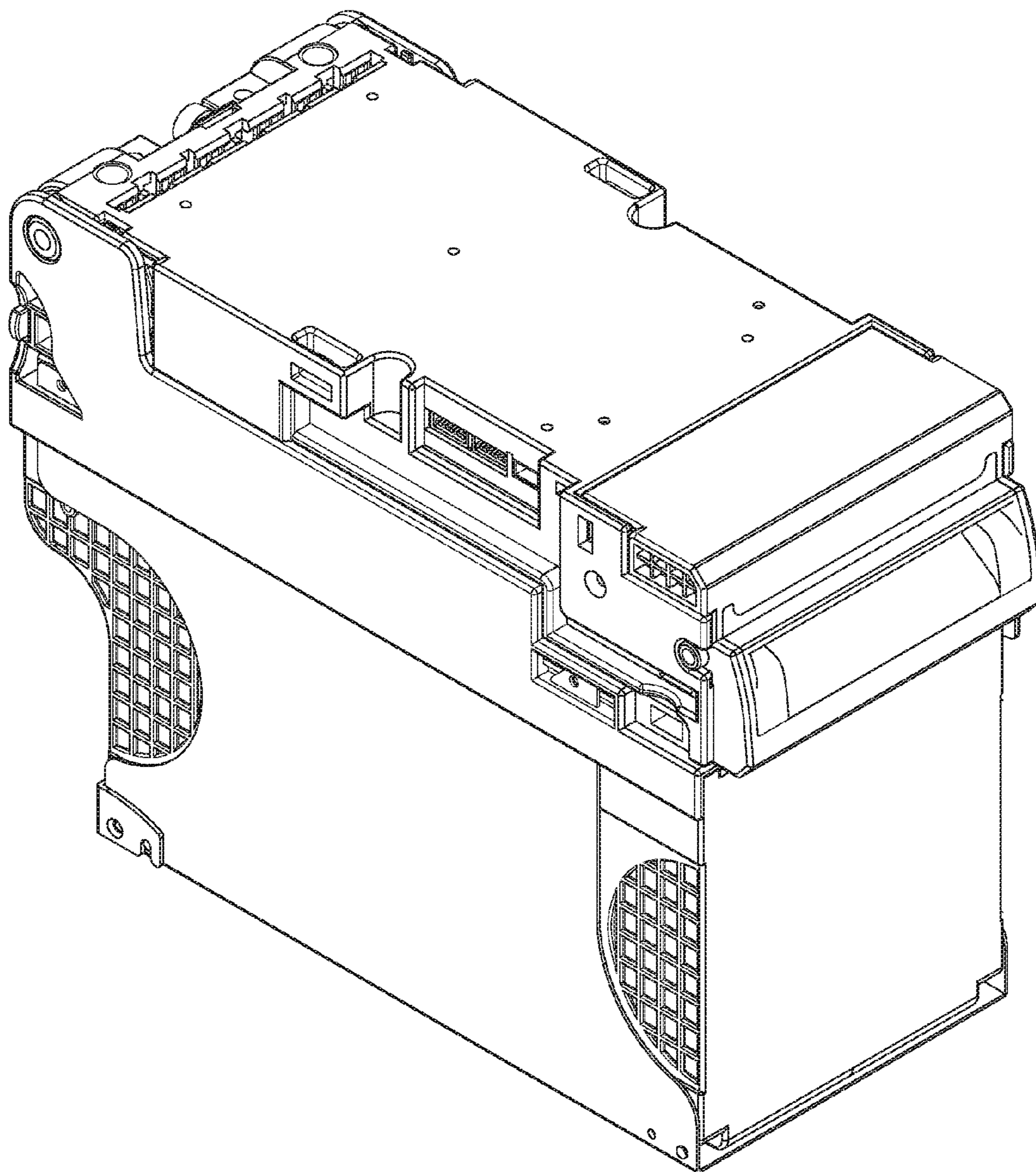


FIG. 8

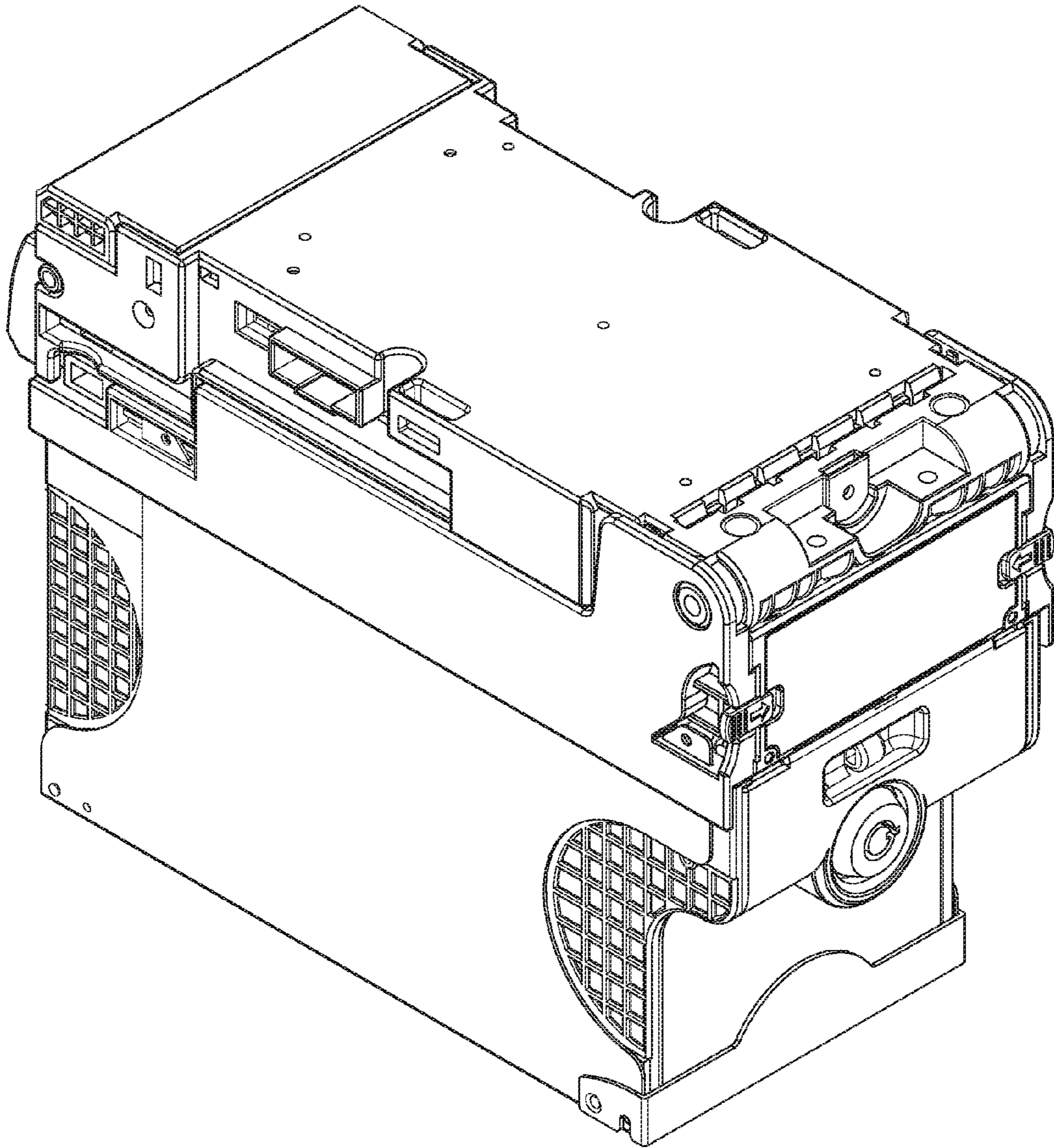


FIG. 9

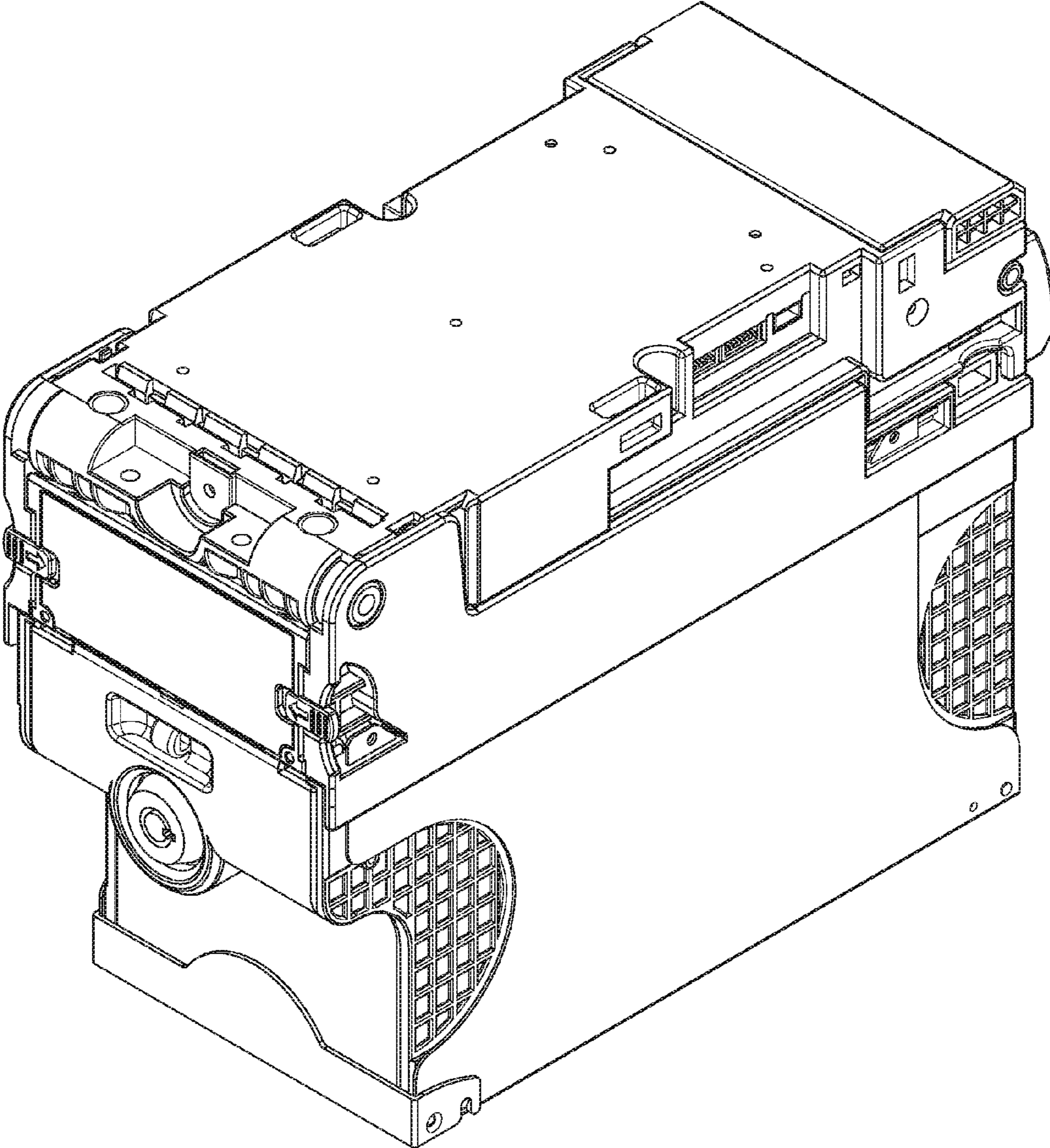


FIG. 10