

US00D623685S

(12) **United States Design Patent**  
**Tsukuda et al.**

(10) **Patent No.:** **US D623,685 S**

(45) **Date of Patent:** **\*\* Sep. 14, 2010**

(54) **PRINTER FOR CASSETTE**

D450,750 S \* 11/2001 Sasaki ..... D18/39  
D544,534 S \* 6/2007 Reece ..... D18/53

(75) Inventors: **Masabumi Tsukuda**, Chiba (JP); **Koji Fujimoto**, Chiba (JP)

\* cited by examiner

(73) Assignee: **Seiko Instruments Inc.**, Chiba (JP)

*Primary Examiner*—Ian Simmons

*Assistant Examiner*—Dana L Sipos

(\*\*) Term: **14 Years**

(74) *Attorney, Agent, or Firm*—Finnegan, Henderson, Farabow, Garrett & Dunner, L.L.P.

(21) Appl. No.: **29/328,146**

(57) **CLAIM**

(22) Filed: **Nov. 19, 2008**

The ornamental design for a printer for cassette, as shown and described.

(30) **Foreign Application Priority Data**

May 20, 2008 (JP) ..... 2008-012550

**DESCRIPTION**

(51) **LOC (9) Cl.** ..... **18-02**

(52) **U.S. Cl.** ..... **D18/53**

(58) **Field of Classification Search** ..... D18/14,  
D18/18, 34.1, 34.3, 36, 39, 50, 53, 56, 59,  
D18/99; 101/212–213, 216, 232

See application file for complete search history.

FIG. 1 is a perspective view of the top, front and right side of a printer for cassette showing our new design;

FIG. 2 is a front view thereof;

FIG. 3 is a rear view thereof;

FIG. 4 is a top plan view thereof;

FIG. 5 is a bottom view thereof;

FIG. 6 is a left side view thereof;

FIG. 7 is a right side view thereof; and,

FIG. 8 is a perspective view showing the printer for cassette of FIG. 1 in the open position.

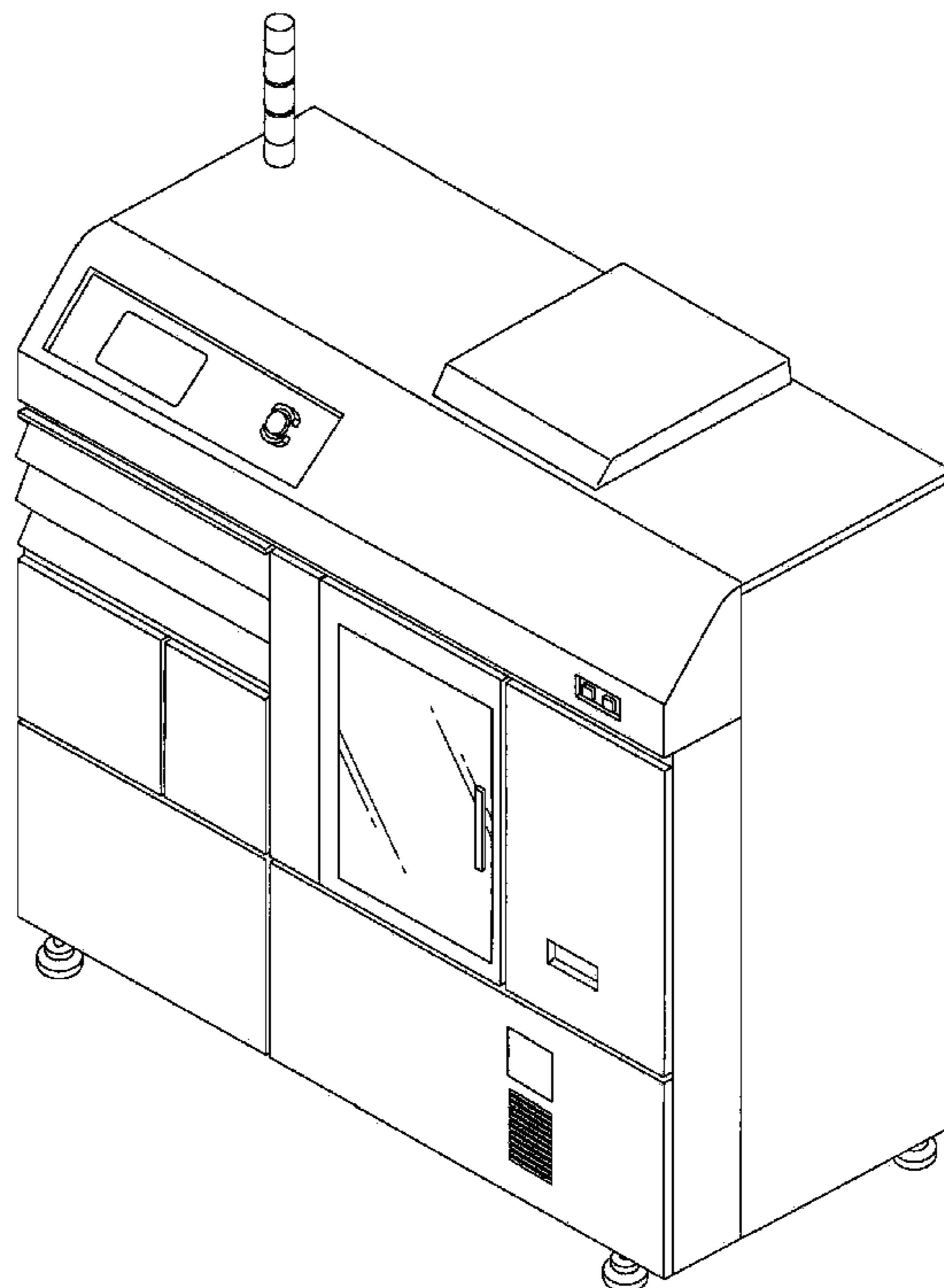
The broken lines in the drawings showing the inside compartments and contents of the printer for cassette illustrate the portions of the design that form no part of the claim.

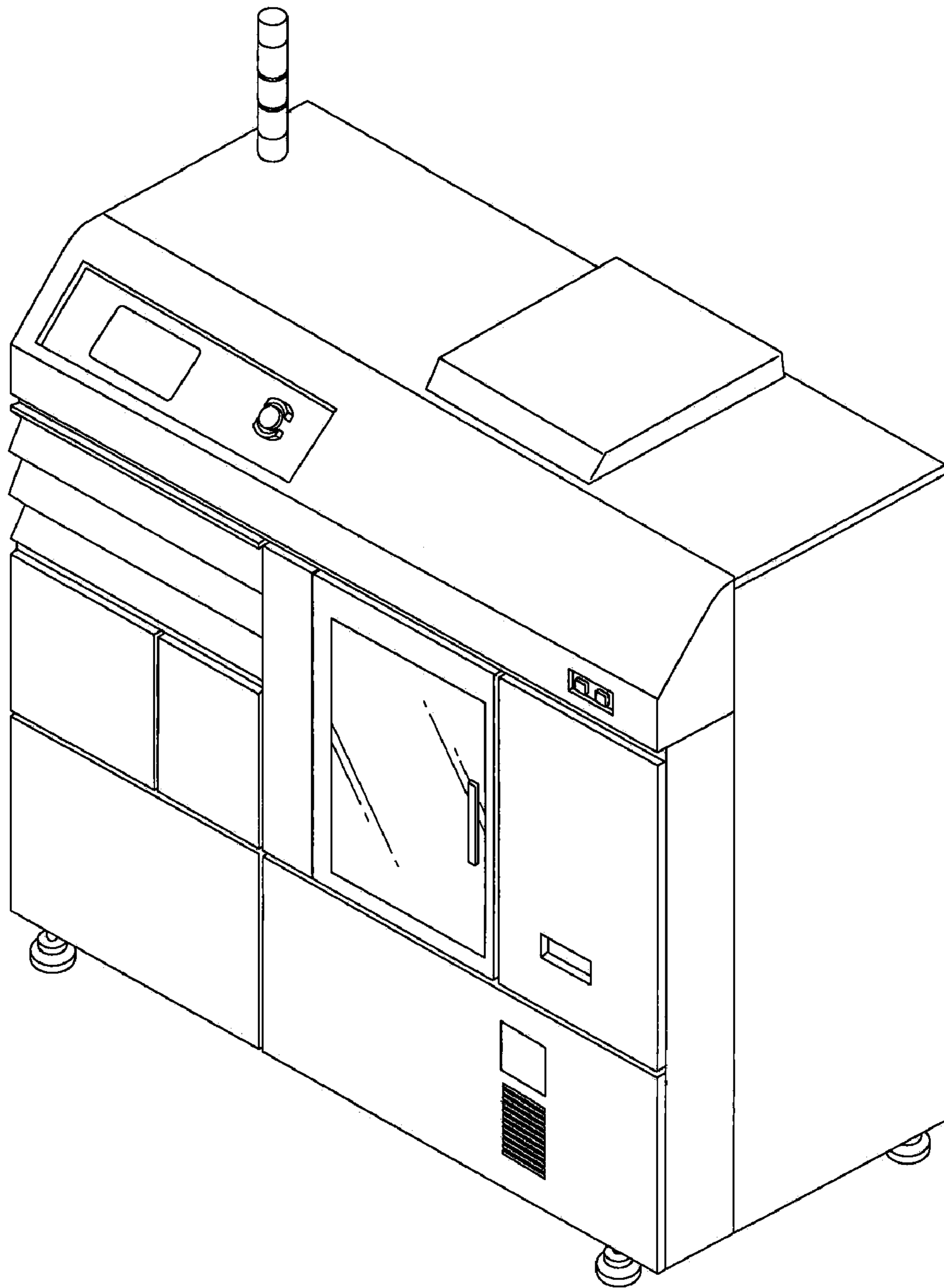
(56) **References Cited**

**U.S. PATENT DOCUMENTS**

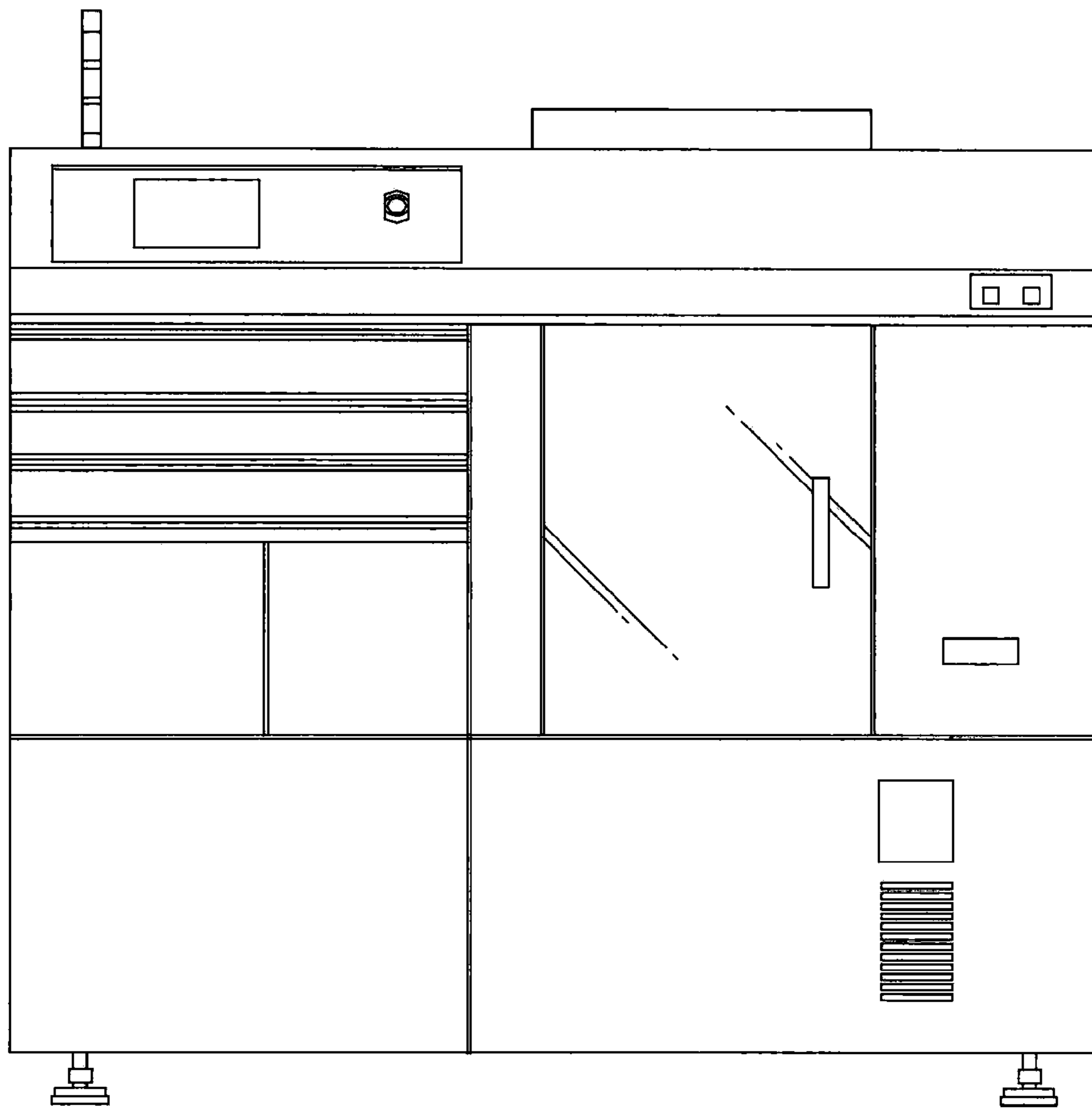
D123,606 S \* 11/1940 Tupper ..... D18/39  
D258,446 S \* 3/1981 Beehler et al. .... D18/38  
D263,289 S \* 3/1982 Onoue et al. .... D18/38  
D263,478 S \* 3/1982 Yoshihama ..... D14/463  
D305,130 S \* 12/1989 Ohtani et al. .... D18/53  
D318,479 S \* 7/1991 Nishiseko et al. .... D16/246  
D329,251 S \* 9/1992 Olswold et al. .... D18/59  
D350,766 S \* 9/1994 Tomatsu et al. .... D18/39

**1 Claim, 6 Drawing Sheets**

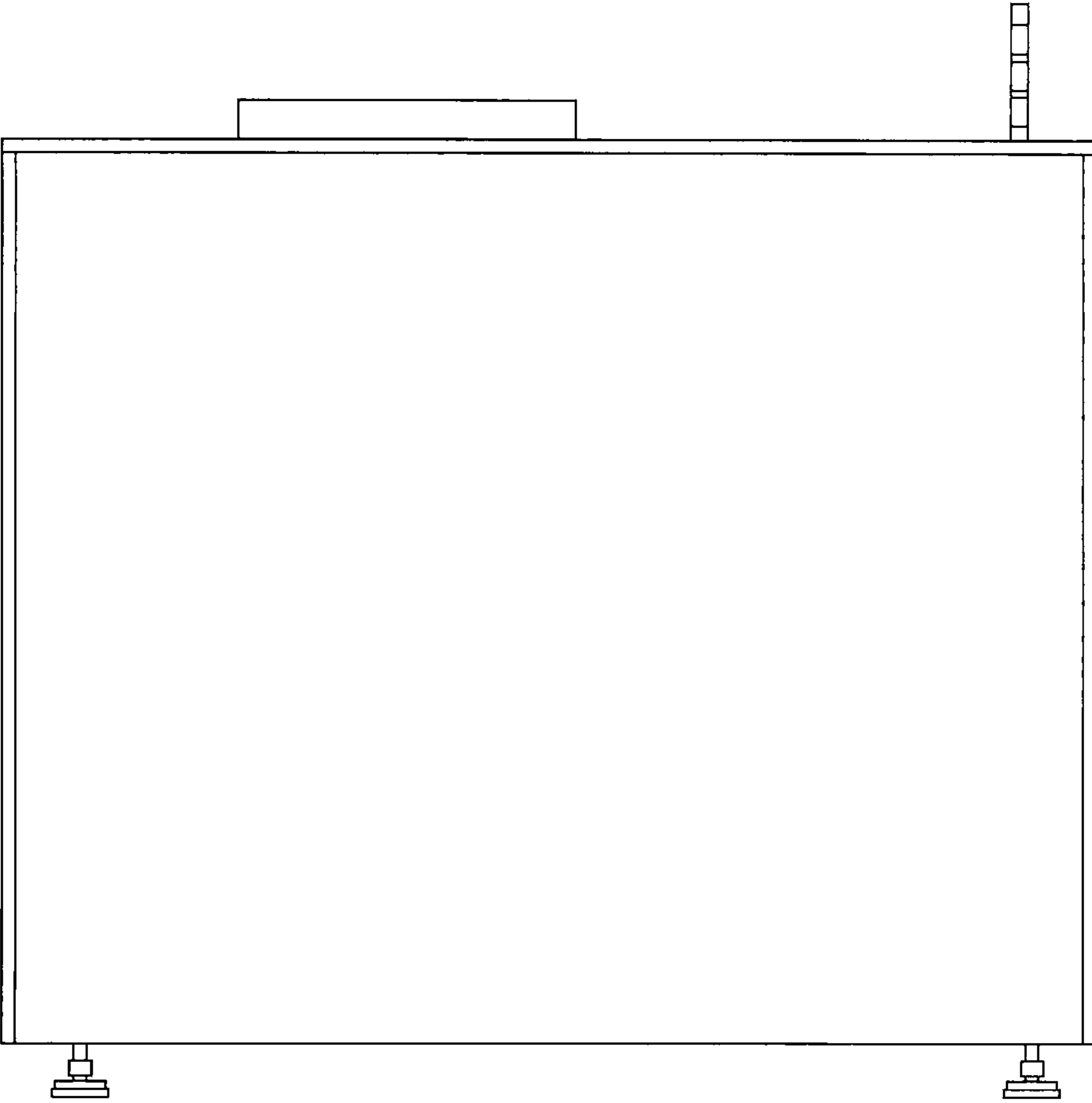




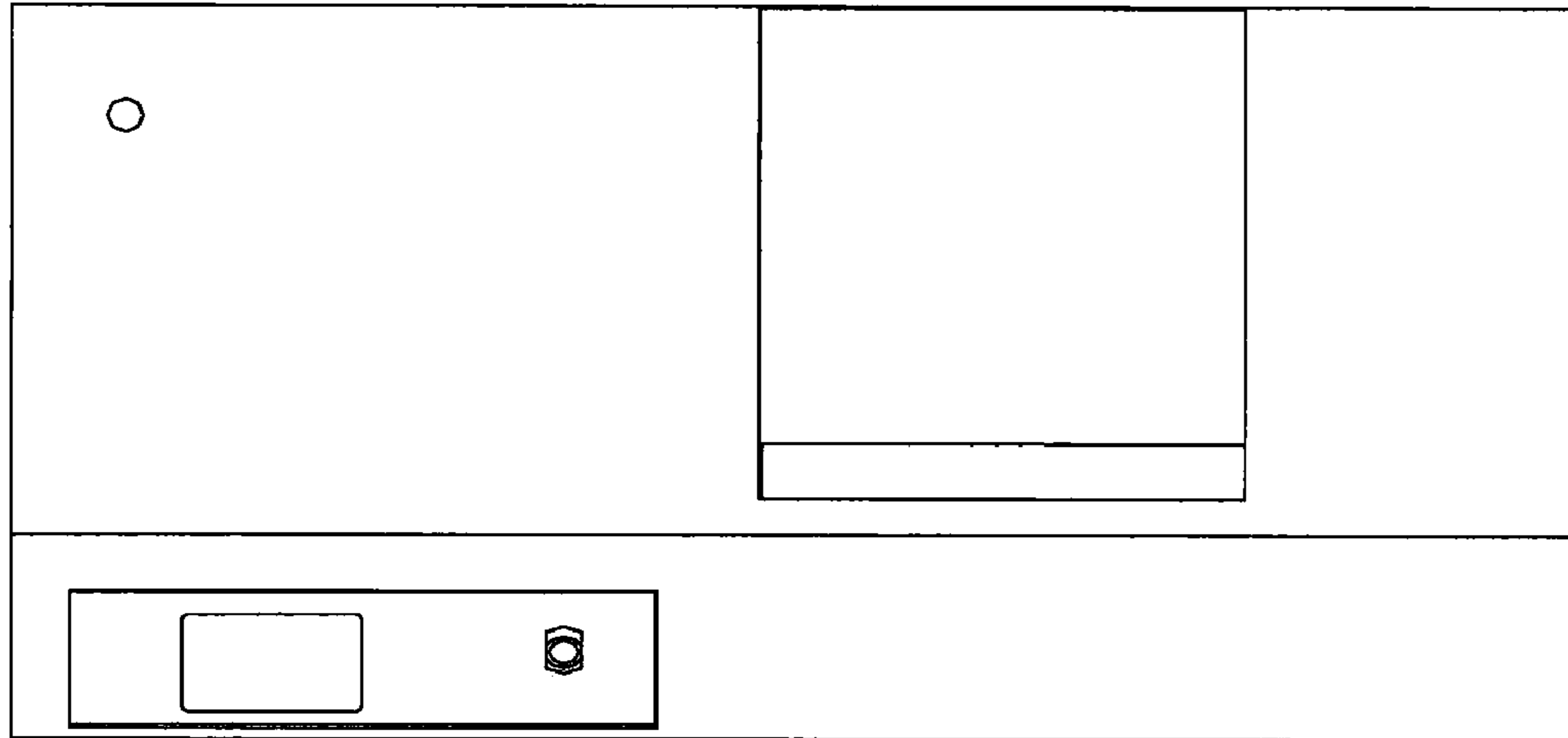
**FIG. 1**



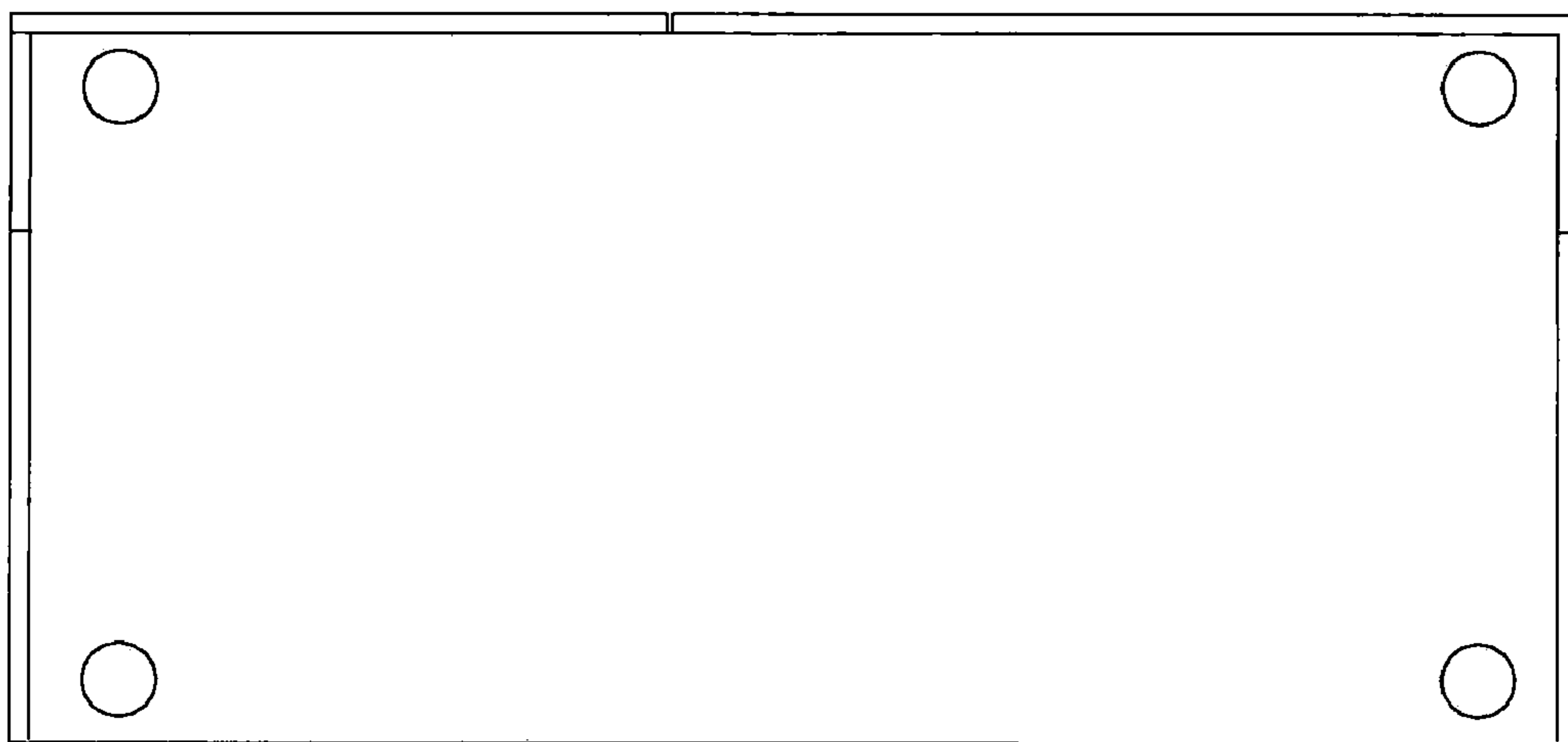
*FIG. 2*



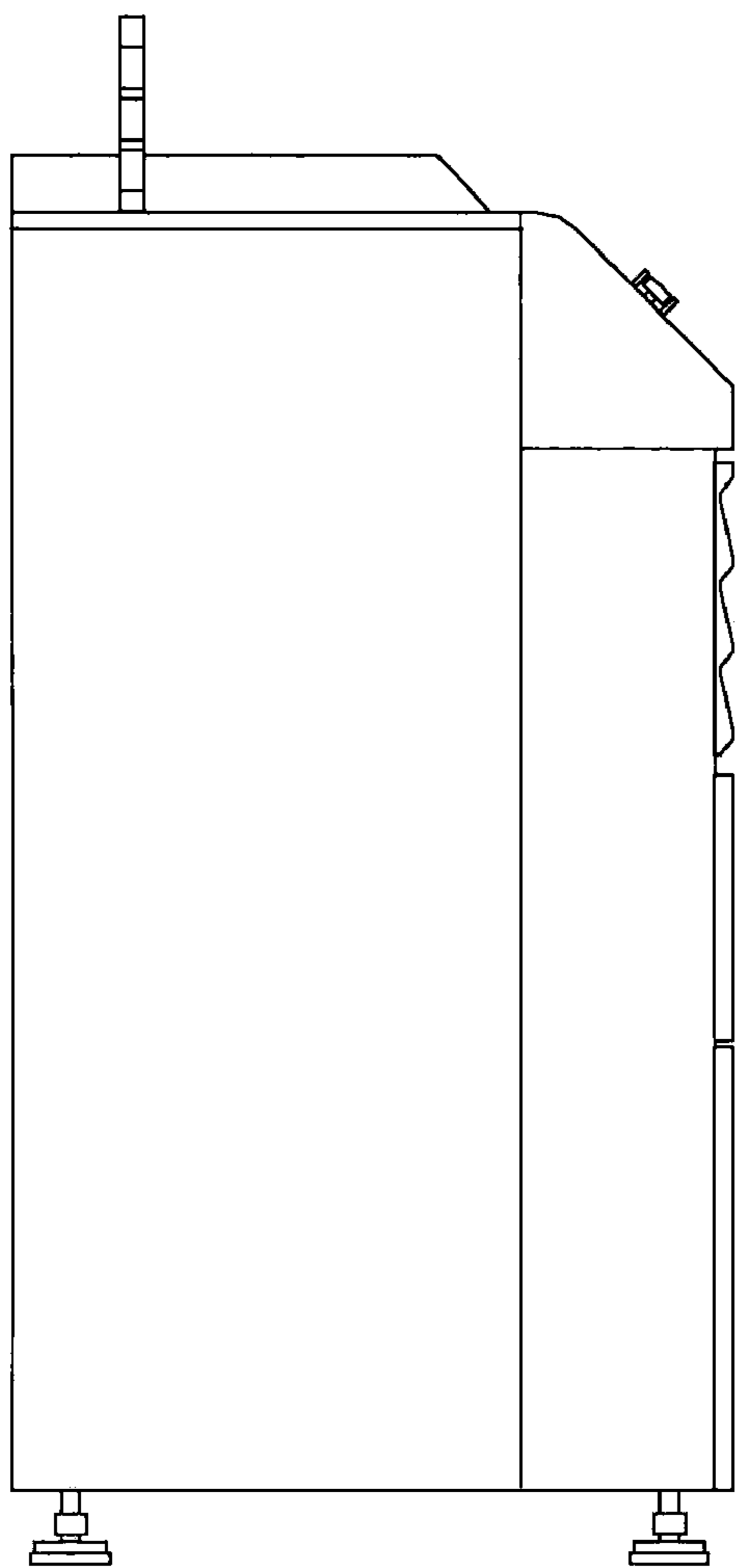
*FIG. 3*



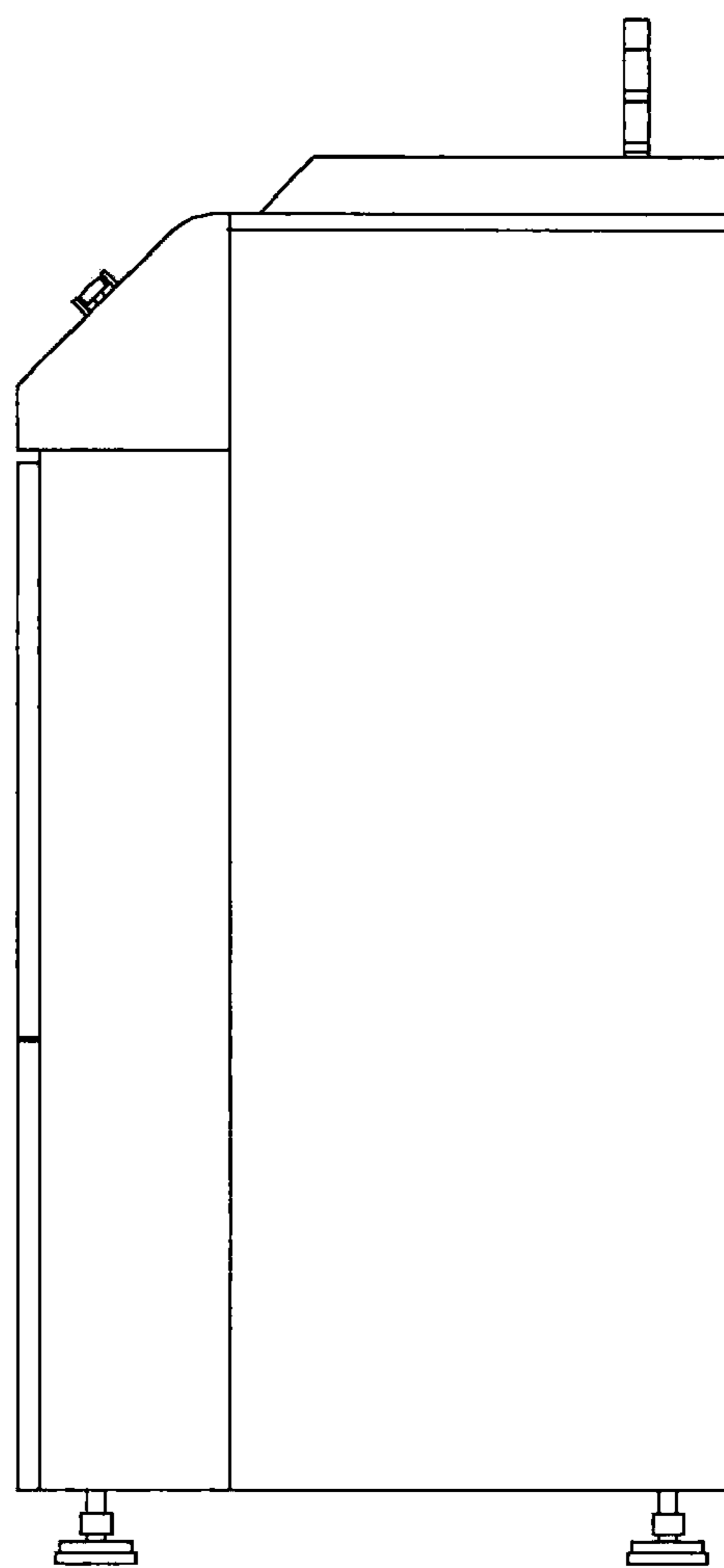
**FIG. 4**



**FIG. 5**



*FIG. 6*



*FIG. 7*

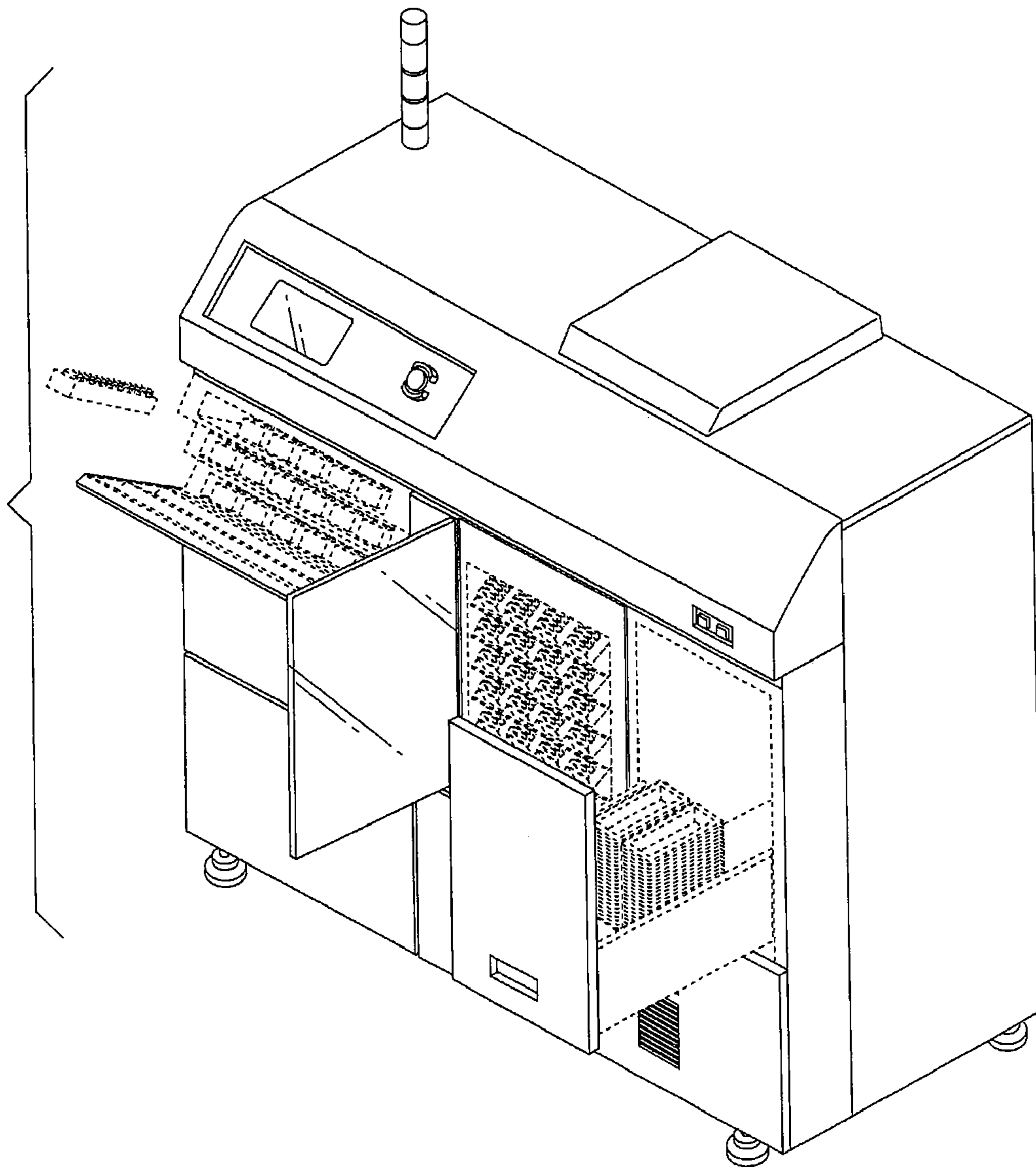


FIG. 8