

US00D623682S

(12) **United States Design Patent**
Volpato

(10) **Patent No.:** **US D623,682 S**
(45) **Date of Patent:** **** Sep. 14, 2010**

(54) **SUPPORT HEAD FOR VIDEO AND PHOTOGRAPHIC APPARATUS**

(75) Inventor: **Michele Volpato**, Riese Pio X (IT)

(73) Assignee: **Gitzo, S.A.**, Rungis (FR)

(**) Term: **14 Years**

(21) Appl. No.: **29/312,271**

(22) Filed: **Oct. 10, 2008**

(30) **Foreign Application Priority Data**

Aug. 6, 2008 (EM) 000982590

(51) **LOC (9) Cl.** **16-05**

(52) **U.S. Cl.** **D16/245; D16/242**

(58) **Field of Classification Search** D16/237,
D16/242, 244-245; 248/176.1, 177.1, 185.1,
248/187.1, 179.1; 352/243; 396/419, 421-422,
396/428

See application file for complete search history.

(56) **References Cited**

U.S. PATENT DOCUMENTS

D292,982 S * 12/1987 Nakatani D16/245
D382,288 S * 8/1997 Usui D16/245
6,708,943 B2 * 3/2004 Ursan et al. 248/187.1
6,739,559 B2 * 5/2004 Nakatani 248/187.1
D564,567 S * 3/2008 Dordick D16/242

D600,736 S * 9/2009 Zen D16/242
D602,974 S * 10/2009 Zen D16/245
2006/0175482 A1 * 8/2006 Johnson 248/176.1

* cited by examiner

Primary Examiner—Ian Simmons

Assistant Examiner—Wan Laymon

(74) *Attorney, Agent, or Firm*—James C. Evans, Jr.;
Greenebaum Doll & McDonald PLLC

(57) **CLAIM**

The ornamental design for a support head for video and photographic apparatus, as shown and described.

DESCRIPTION

FIG. 1 is a perspective view of a support head for video and photographic apparatus of the present design;

FIG. 2 is a bottom plan view thereof;

FIG. 3 is a right side elevational view thereof;

FIG. 4 is a front elevational view thereof;

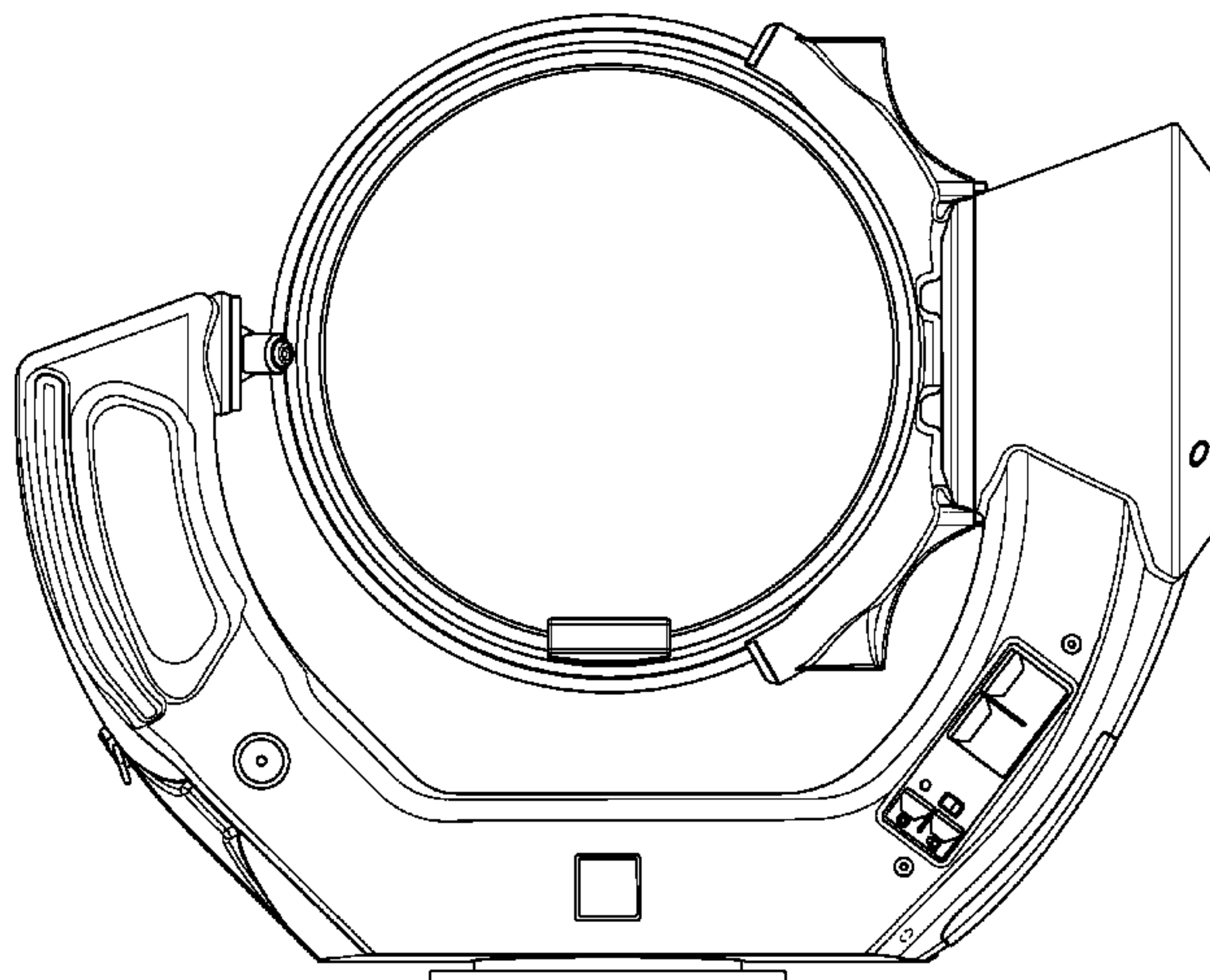
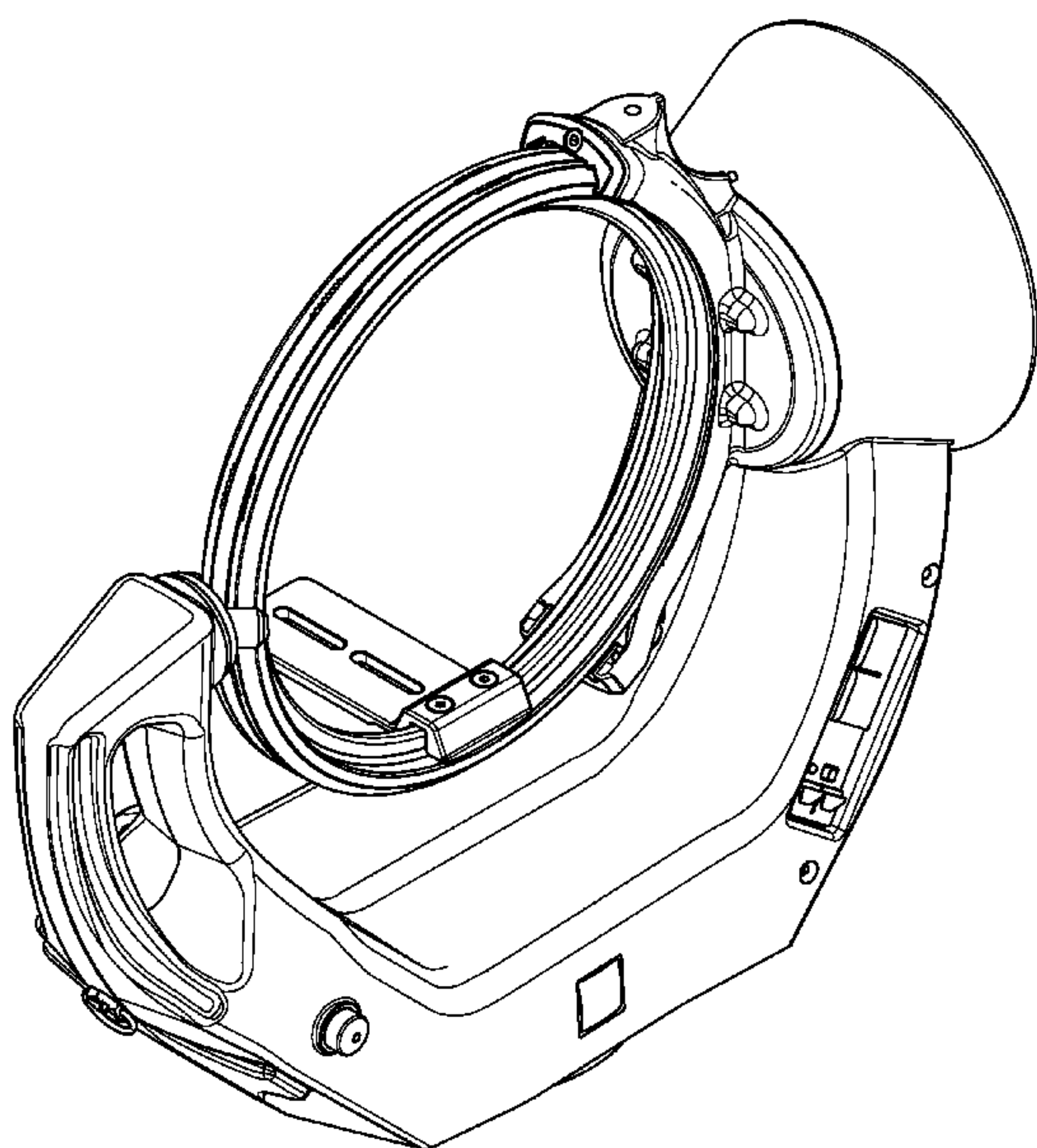
FIG. 5 is a left side elevational view thereof;

FIG. 6 is a rear elevational view thereof; and,

FIG. 7 is a top plan view thereof.

The broken line showing portions of a support head for video and photographic apparatus is included for the purpose of illustrating environmental structure and forms no part of the claimed design.

1 Claim, 7 Drawing Sheets



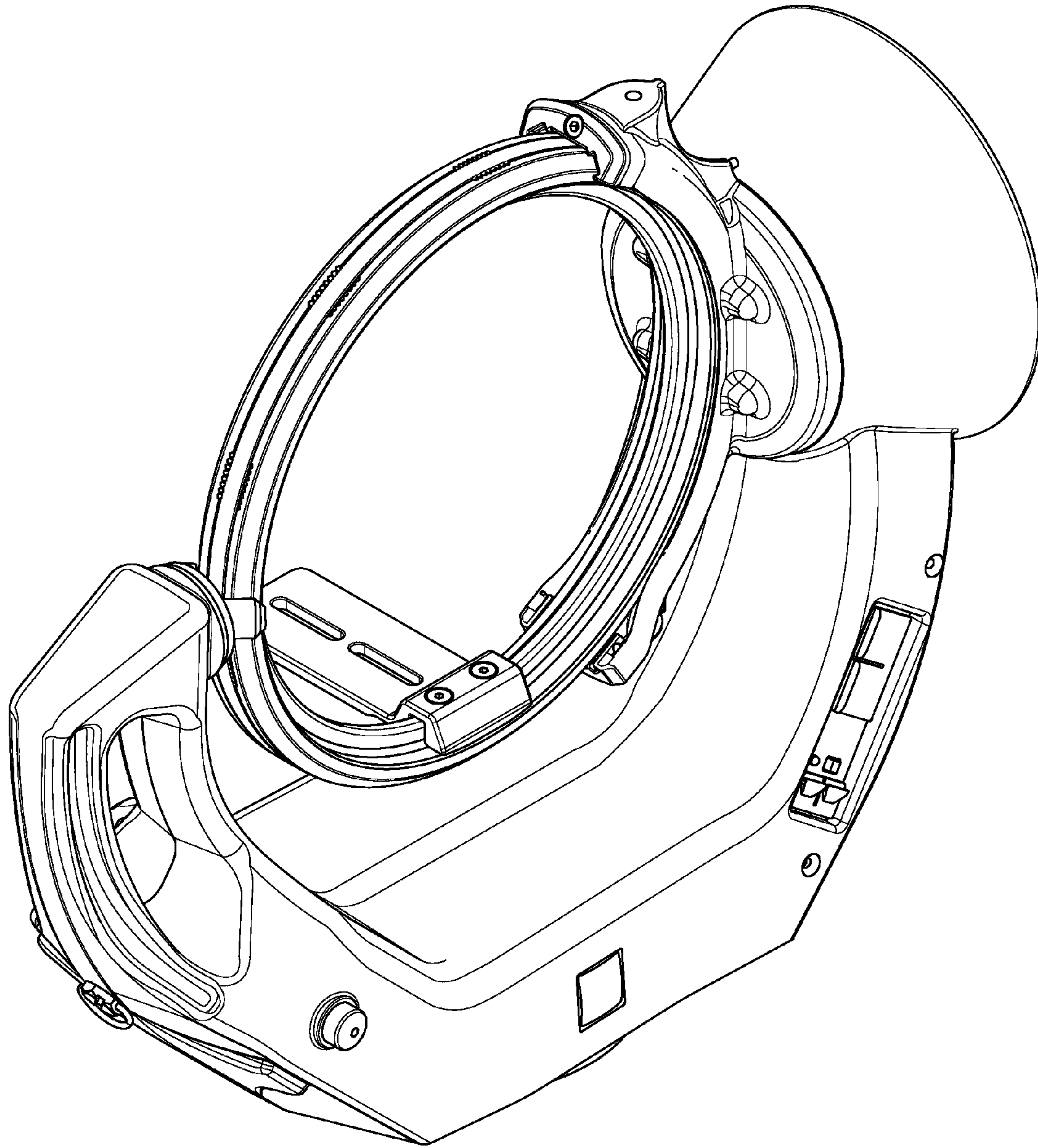


FIG. 1

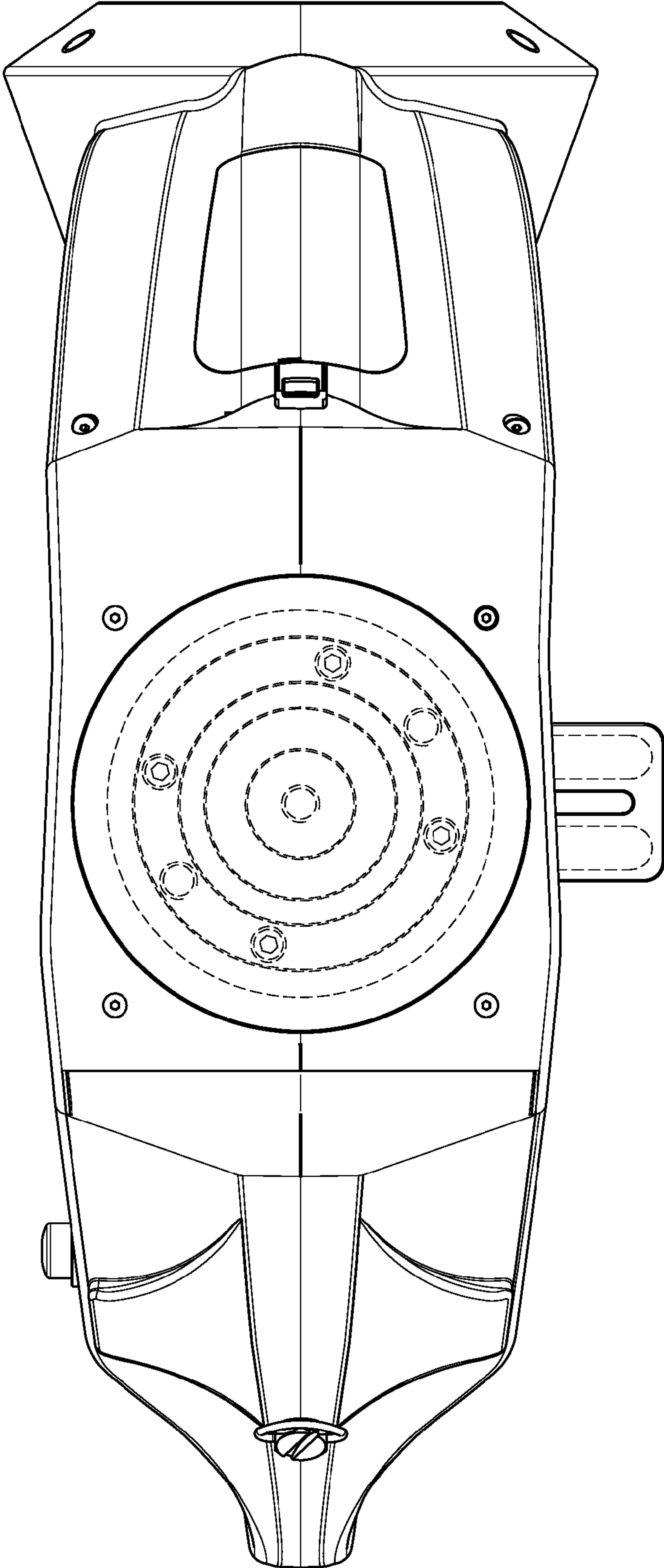


FIG. 2

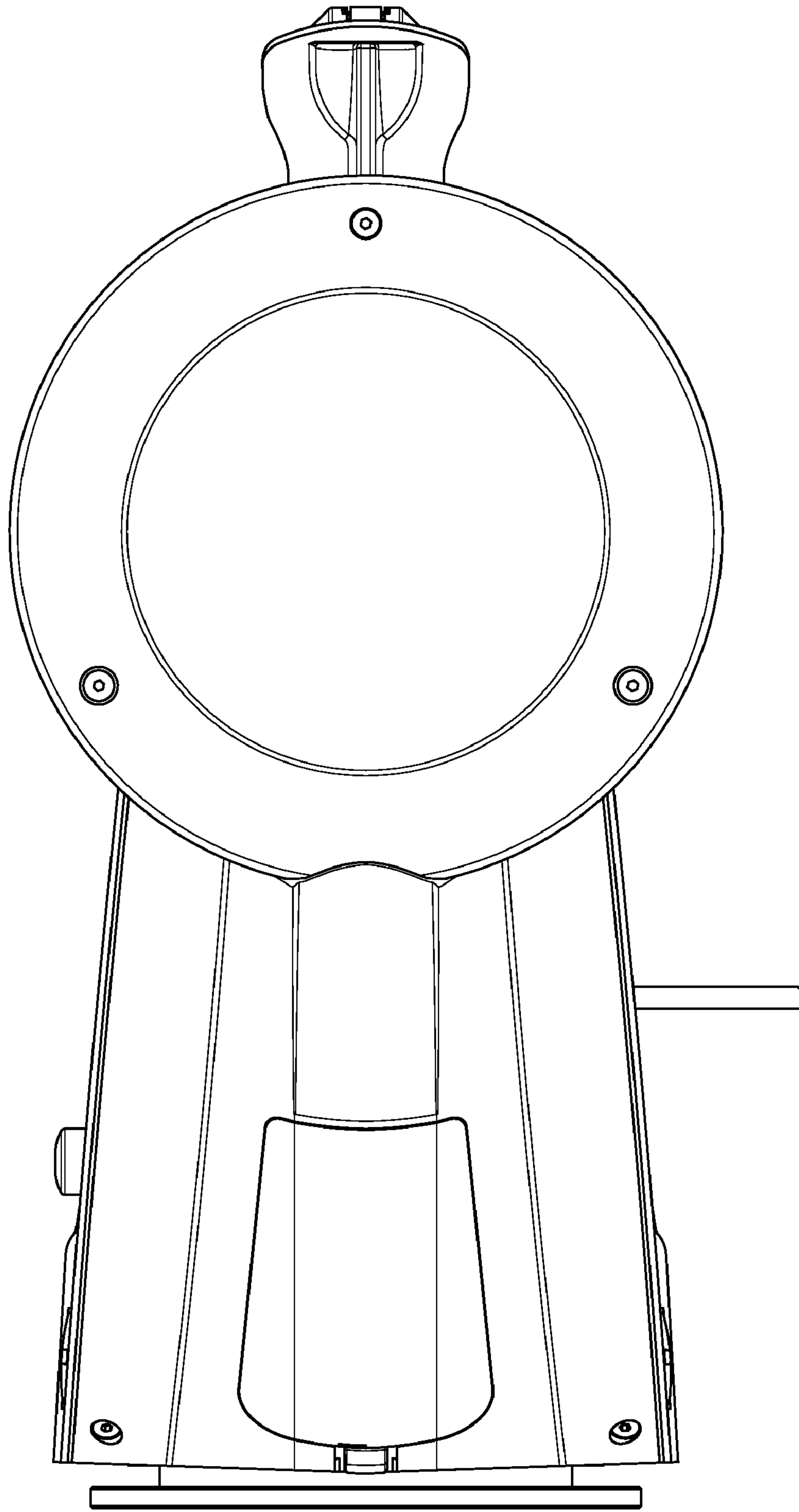


FIG. 3

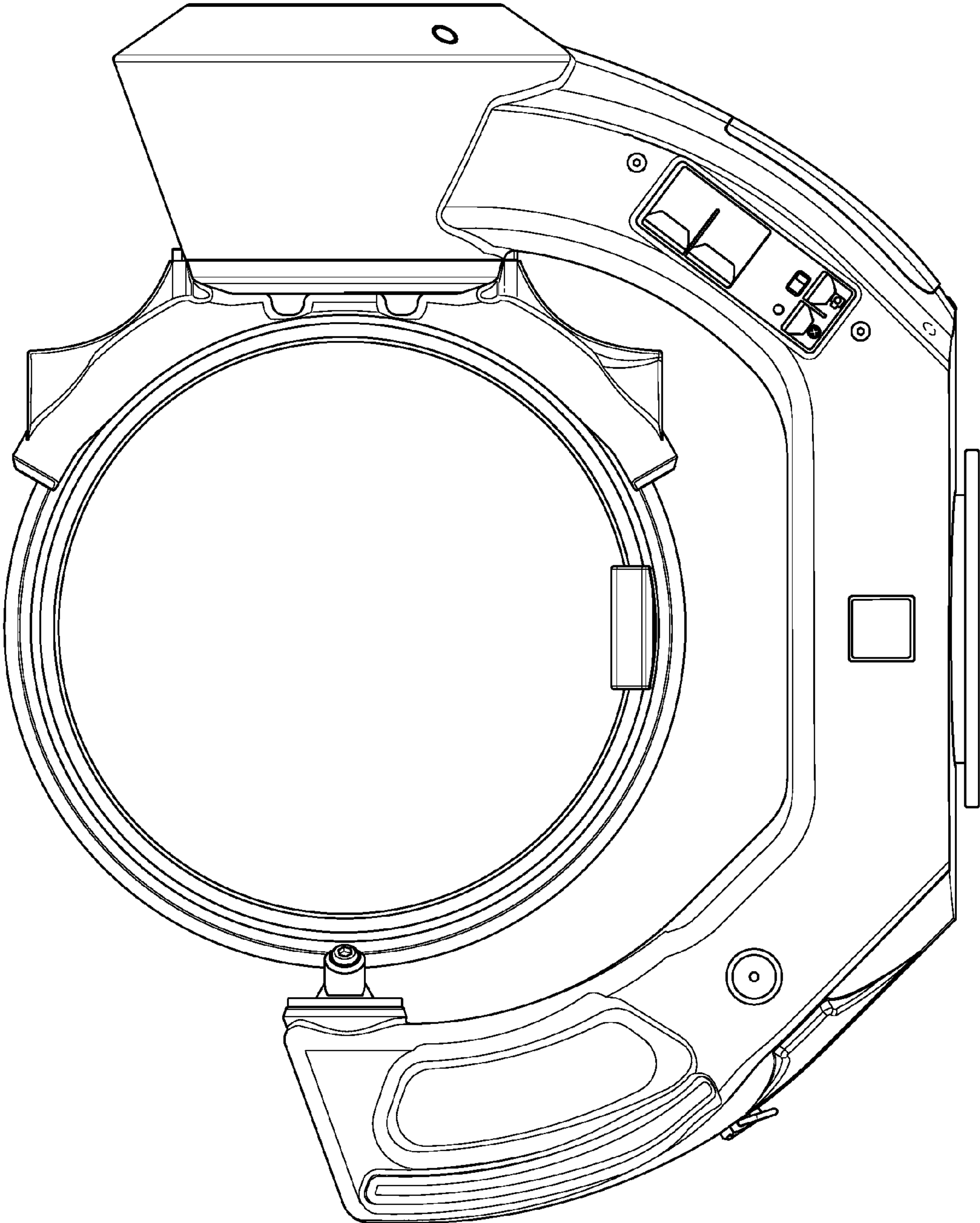


FIG. 4

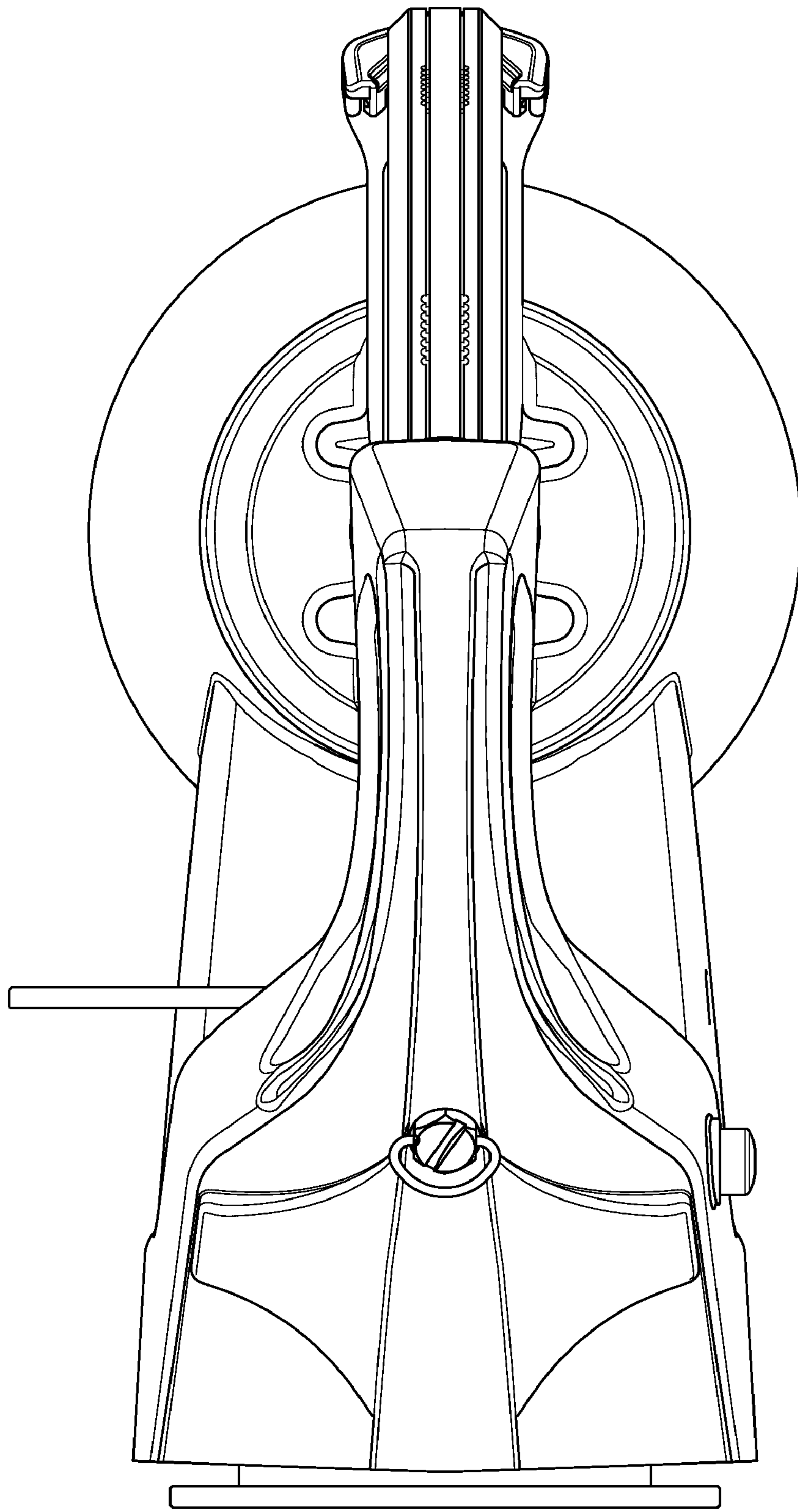


FIG. 5

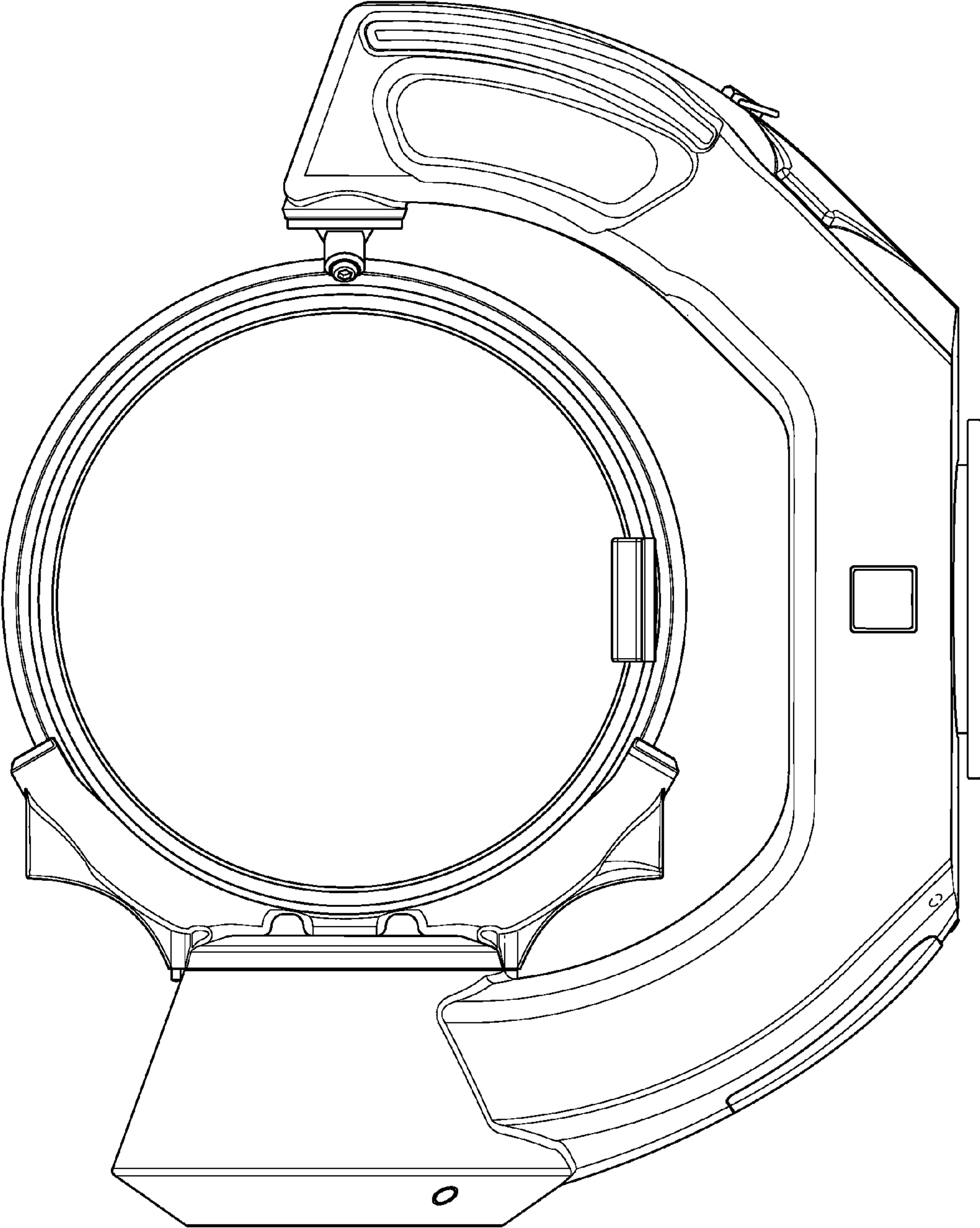


FIG. 6

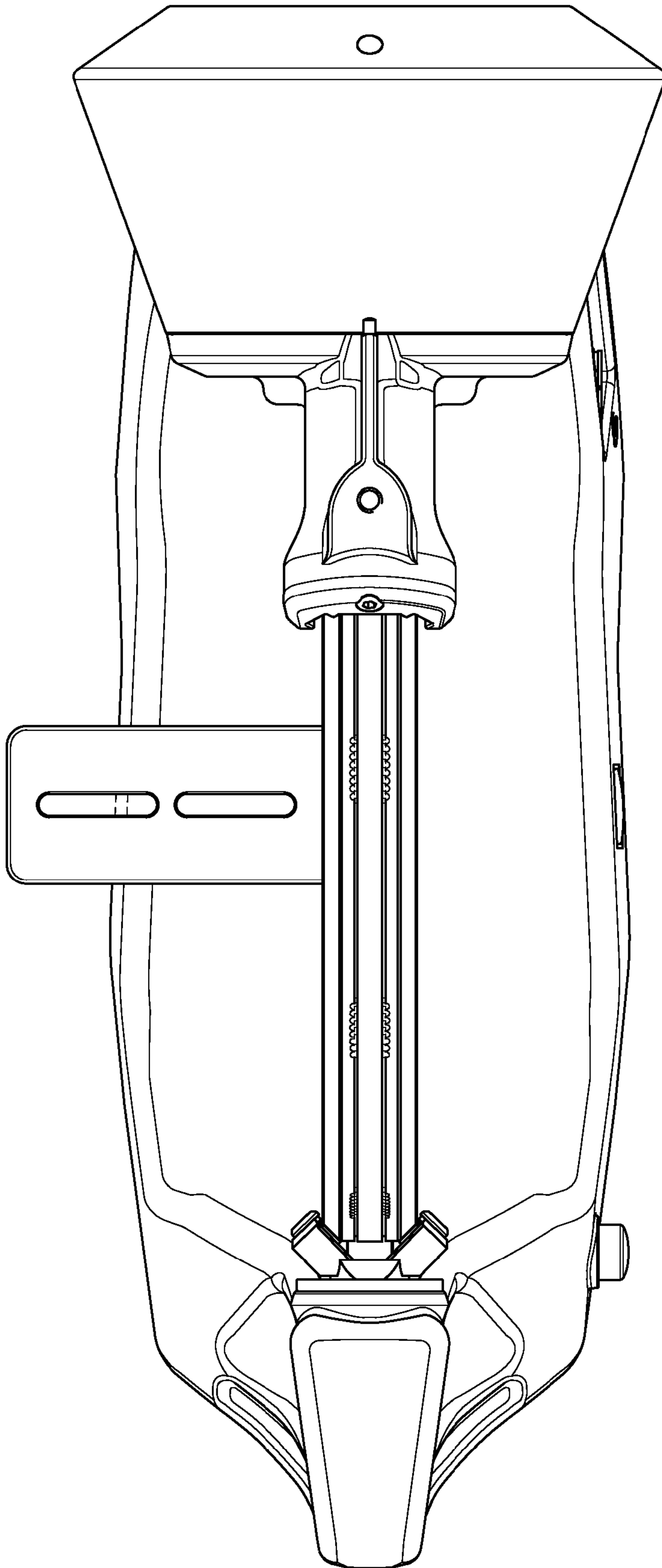


FIG. 7