



US00D623679S

(12) **United States Design Patent**
Dittmer

(10) **Patent No.:** **US D623,679 S**

(45) **Date of Patent:** **** Sep. 14, 2010**

(54) **SHORT THROW PROJECTOR MOUNT**

(75) Inventor: **Jay Dittmer**, Prior Lake, MN (US)

(73) Assignee: **Milestone AV Technologies LLC**,
Savage, MN (US)

(**) Term: **14 Years**

(21) Appl. No.: **29/335,288**

(22) Filed: **Apr. 13, 2009**

(51) **LOC (9) Cl.** **16-02**

(52) **U.S. Cl.** **D16/235**

(58) **Field of Classification Search** D16/235,
D16/242, 244–245; D8/349, 354–355, 363;
352/243; 353/69, 70, 79–80, 119, 122; 248/917,
248/918, 919, 900, 920, 924, 124.1, 176.1,
248/279.1, 324, 344, 519

See application file for complete search history.

(56) **References Cited**

U.S. PATENT DOCUMENTS

3,951,534	A	4/1976	Altman	
4,958,907	A *	9/1990	Davis	248/918
D359,379	S *	6/1995	Haviland	D8/363
D417,137	S *	11/1999	Vogels	D8/363
D445,819	S *	7/2001	Backs et al.	D16/243
6,394,609	B1	5/2002	Rodriguez, Jr. et al.	
6,394,610	B2	5/2002	Rodriguez, Jr.	
6,485,146	B2 *	11/2002	Rodriguez, Jr.	353/79
6,530,664	B2 *	3/2003	Vanderwerf et al.	353/74
6,540,366	B2	4/2003	Keenan et al.	
6,604,829	B2 *	8/2003	Rodriguez, Jr.	353/79
6,736,516	B1	5/2004	Kepley, Jr. et al.	
6,915,995	B2 *	7/2005	Gillespie	248/918
7,290,888	B2 *	11/2007	Kepley et al.	353/79
7,537,184	B1	5/2009	Basilicato et al.	
D598,945	S *	8/2009	Gillespie	D16/235
7,604,210	B2 *	10/2009	Odds et al.	248/917
2006/0060735	A1 *	3/2006	Odds et al.	248/278.1

2007/0002289	A1 *	1/2007	Oh	353/119
2008/0259030	A1 *	10/2008	Holtzman et al.	345/158
2009/0015798	A1	1/2009	Unsworth	

OTHER PUBLICATIONS

U.S. Appl. No. 29/335,289, filed Apr. 13, 2009, Dittmer.

* cited by examiner

Primary Examiner—Ian Simmons

Assistant Examiner—Wan Laymon

(74) *Attorney, Agent, or Firm*—Patterson Thunten Christensen Pedersen, P.A.

(57) **CLAIM**

The ornamental design for a short throw projector mount, as shown and described.

DESCRIPTION

FIG. 1 is a front perspective view of a short throw projector mount according to the invention;

FIG. 2 is a front elevation view of the short throw projector mount depicted in FIG. 1;

FIG. 3 is a side elevation view of the short throw projector mount depicted in FIG. 1;

FIG. 4 is an opposing side elevation view of the short throw projector mount depicted in FIG. 1;

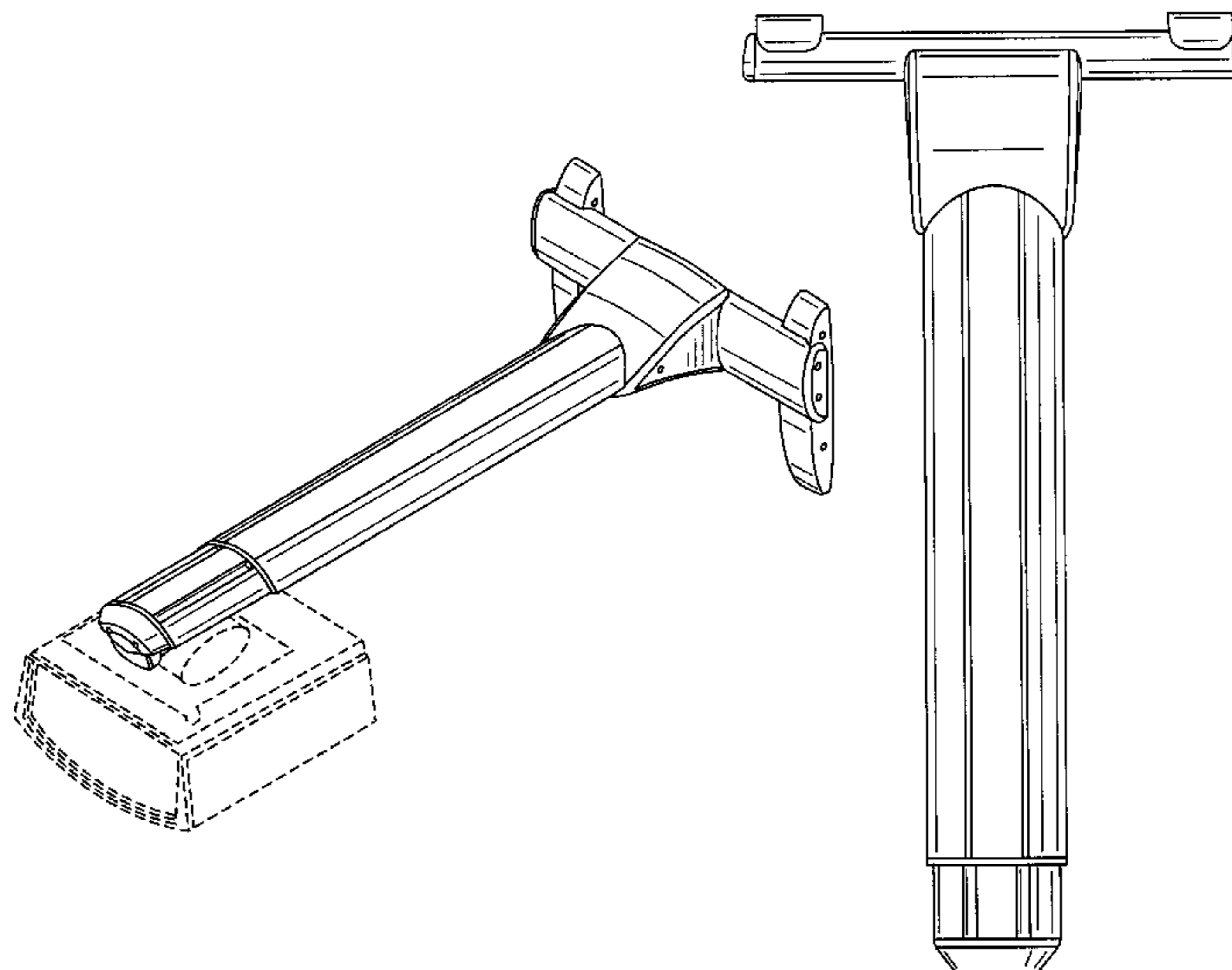
FIG. 5 is a top plan view of the short throw projector mount depicted in FIG. 1; and,

FIG. 6 is a bottom plan view of the short throw projector mount depicted in FIG. 1.

The rear elevation of the depicted mount is not claimed, and hence is not depicted.

The broken line showing portions of a short throw projector mount is included for the purpose of illustrating environmental structure and forms no part of the claimed design.

1 Claim, 5 Drawing Sheets



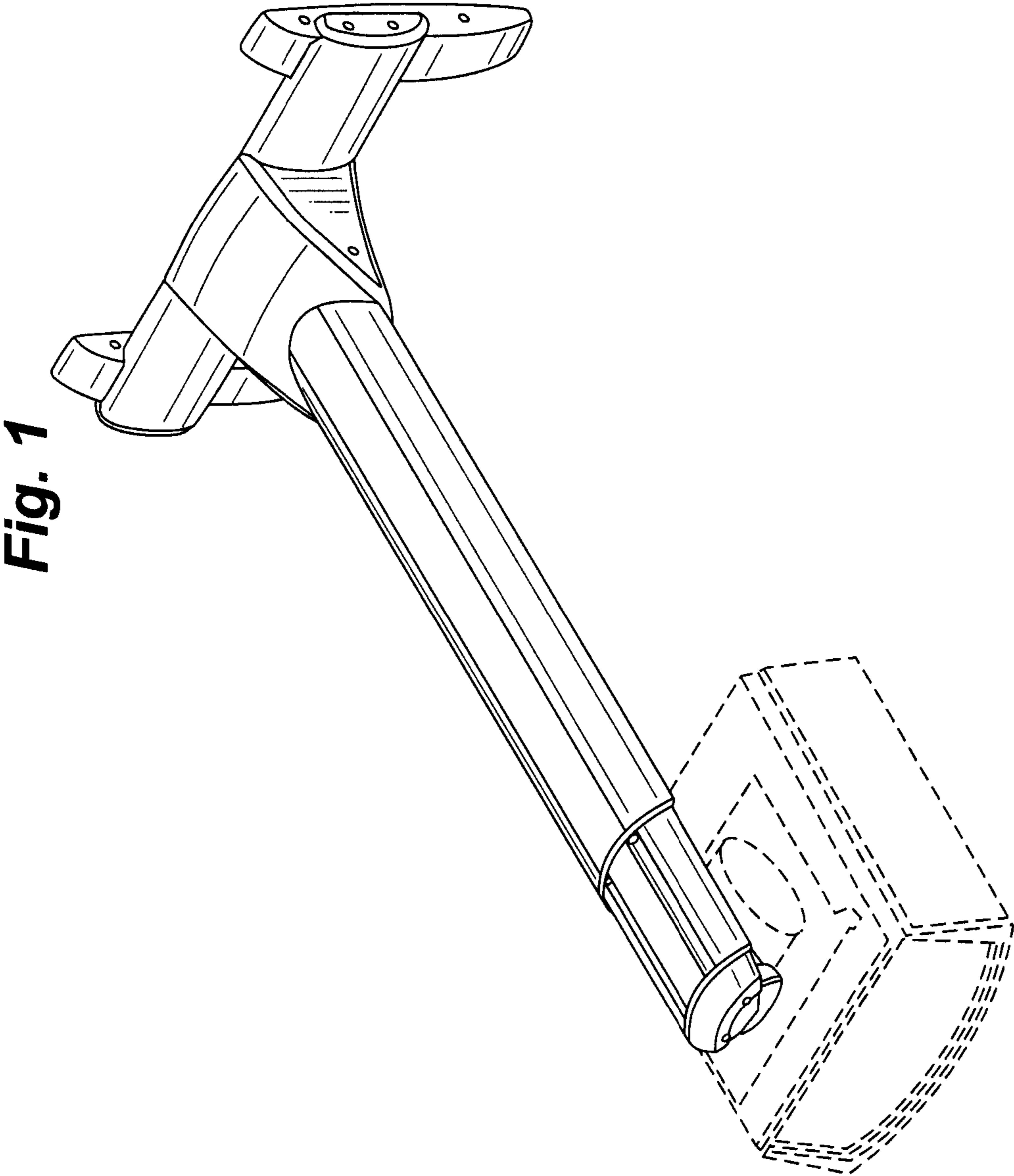


Fig. 1

Fig. 2

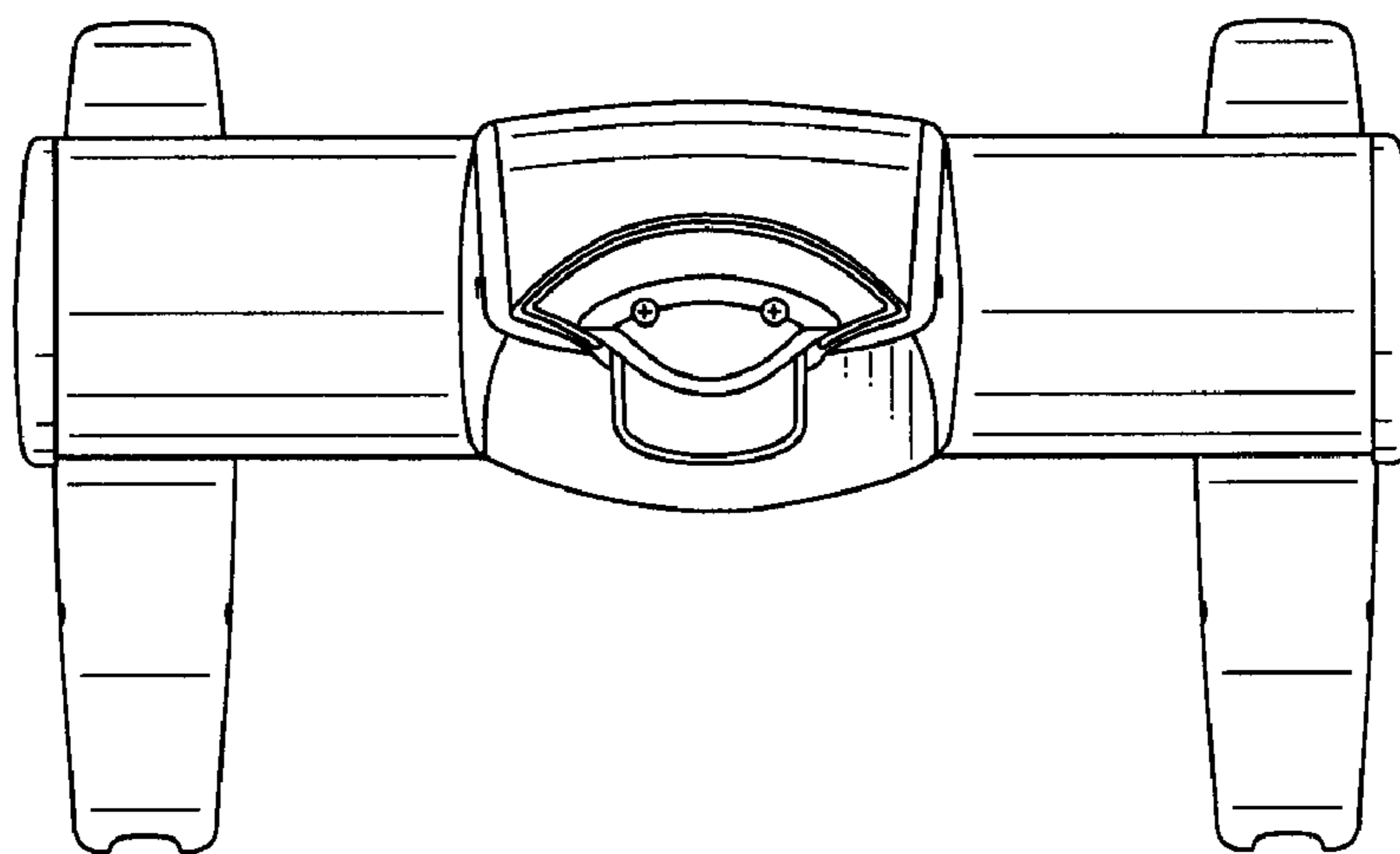
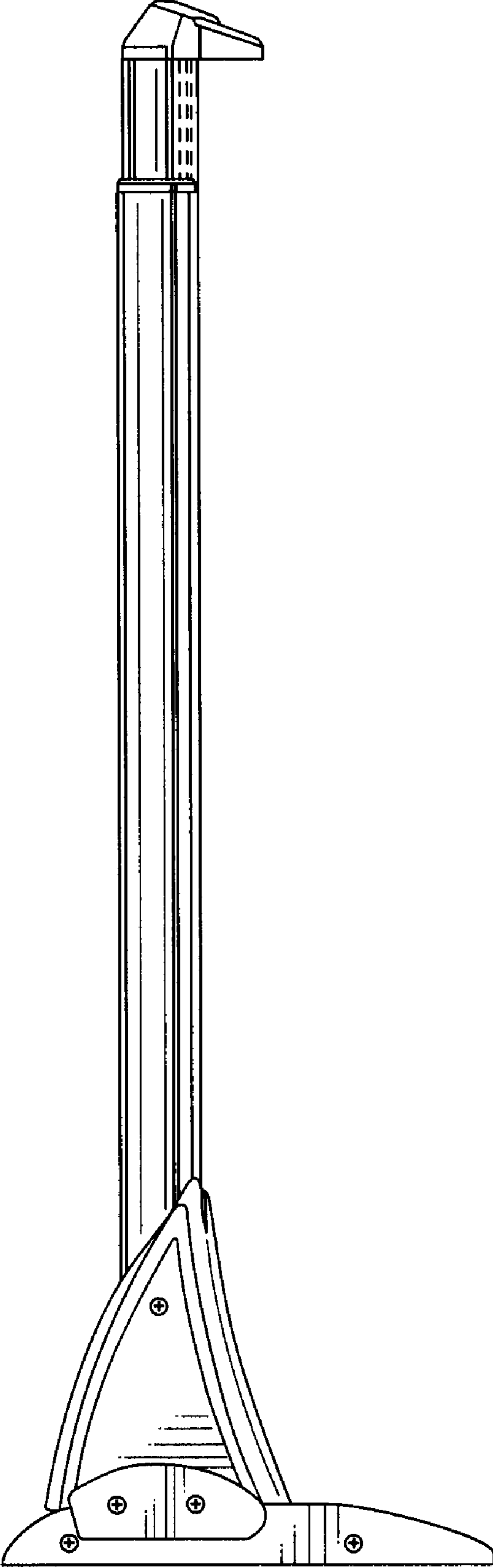


Fig. 3



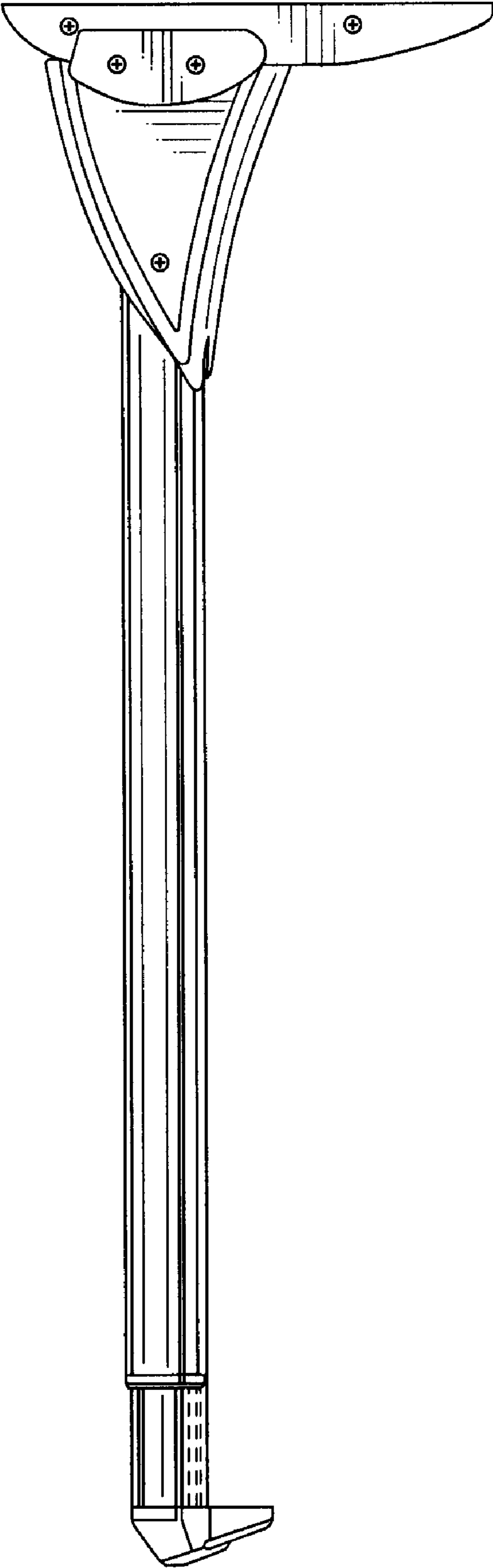


Fig. 4

Fig. 5

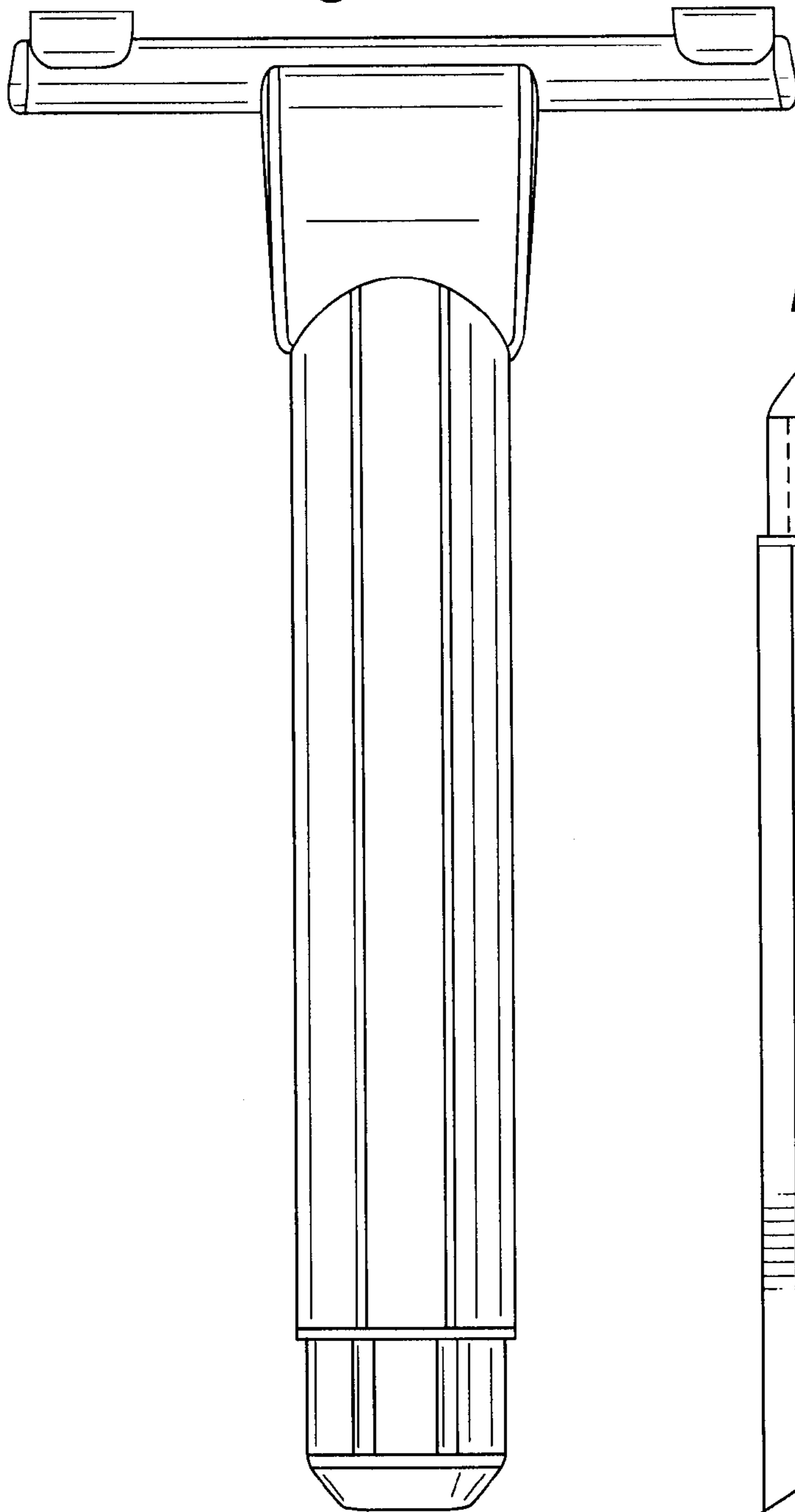


Fig. 6

