



US00D623678S

(12) **United States Design Patent**
Nakayama et al.

(10) **Patent No.:** **US D623,678 S**

(45) **Date of Patent:** **** Sep. 14, 2010**

(54) **PROJECTOR**

(75) Inventors: **Tetsu Nakayama**, Matsumoto (JP);
Genta Kawabe, Matsumoto (JP); **Isao Sakamaki**, Hemel Hempstead (GB);
Yasutomo Takahashi, Matsumoto (JP);
Nobuyuki Otsuki, Matsumoto (JP);
Toshimitsu Watanabe, Matsumoto (JP)

(73) Assignee: **Seiko Epson Corporation**, Tokyo (JP)

(**) Term: **14 Years**

(21) Appl. No.: **29/345,723**

(22) Filed: **Oct. 21, 2009**

(30) **Foreign Application Priority Data**

Jun. 16, 2009 (JP) 2009-013593

(51) **LOC (9) Cl.** **16-02**

(52) **U.S. Cl.** **D16/225; D16/230**

(58) **Field of Classification Search** D16/205,
D16/208, 221, 225, 229, 230-234; D21/514;
353/115, 119, 122

See application file for complete search history.

(56) **References Cited**

U.S. PATENT DOCUMENTS

6,485,144 B1 * 11/2002 Liao 353/122
D572,290 S * 7/2008 Lim et al. D16/230
7,540,618 B2 * 6/2009 Kim et al. 353/119
D605,682 S * 12/2009 Messner D16/230
2009/0316118 A1 * 12/2009 Dittmer 353/119

* cited by examiner

Primary Examiner—Ian Simmons

Assistant Examiner—Wan Laymon

(74) *Attorney, Agent, or Firm*—Oliff & Berridge, PLC

(57) **CLAIM**

The ornamental design for a projector, as shown and described.

DESCRIPTION

FIG. 1 is a bottom and rear perspective view of a projector;

FIG. 2 is a top and front perspective view thereof;

FIG. 3 is a front view thereof;

FIG. 4 is a rear view thereof;

FIG. 5 is a left-side view thereof;

FIG. 6 is a right-side view thereof;

FIG. 7 is a top view thereof;

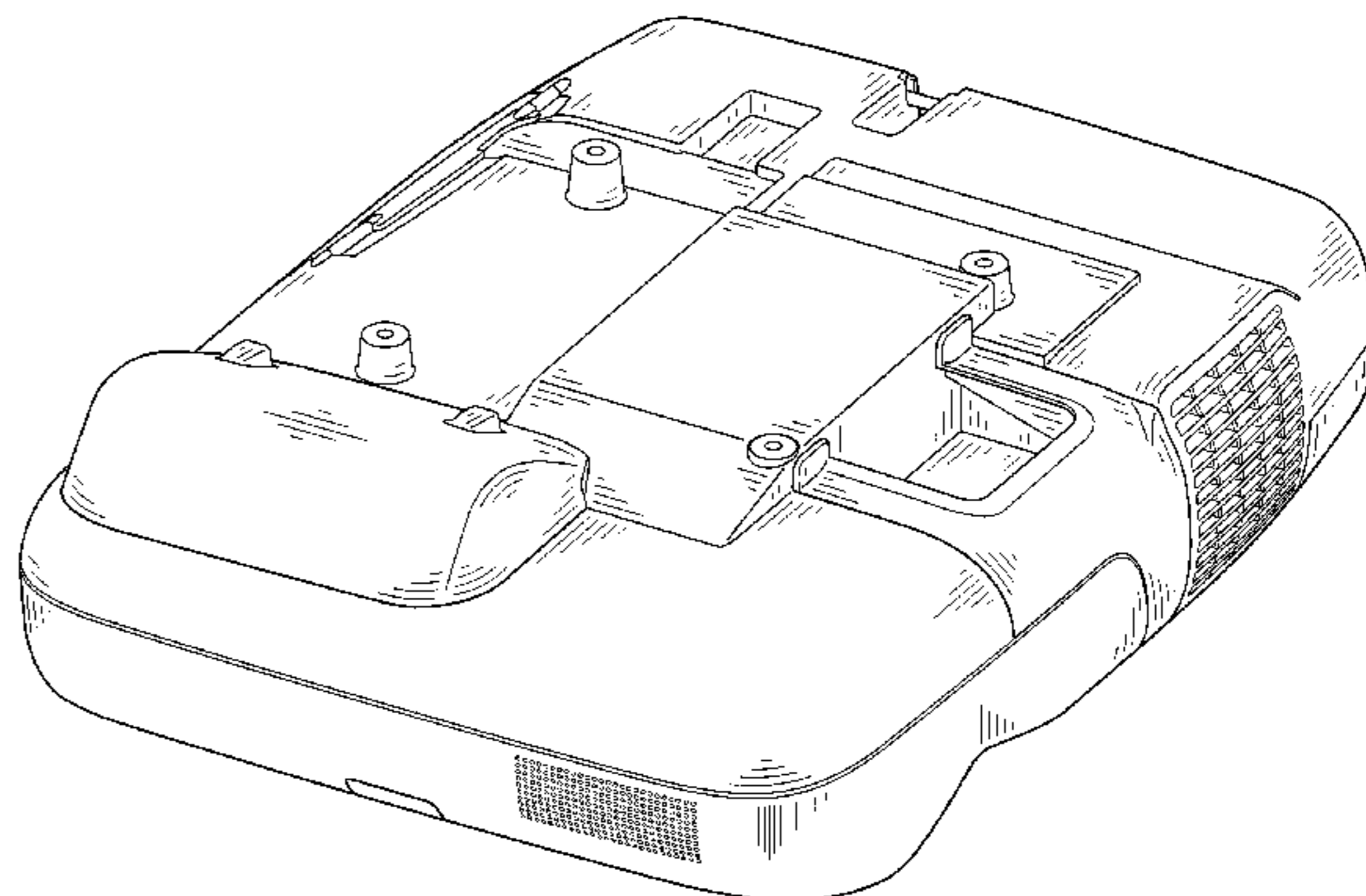
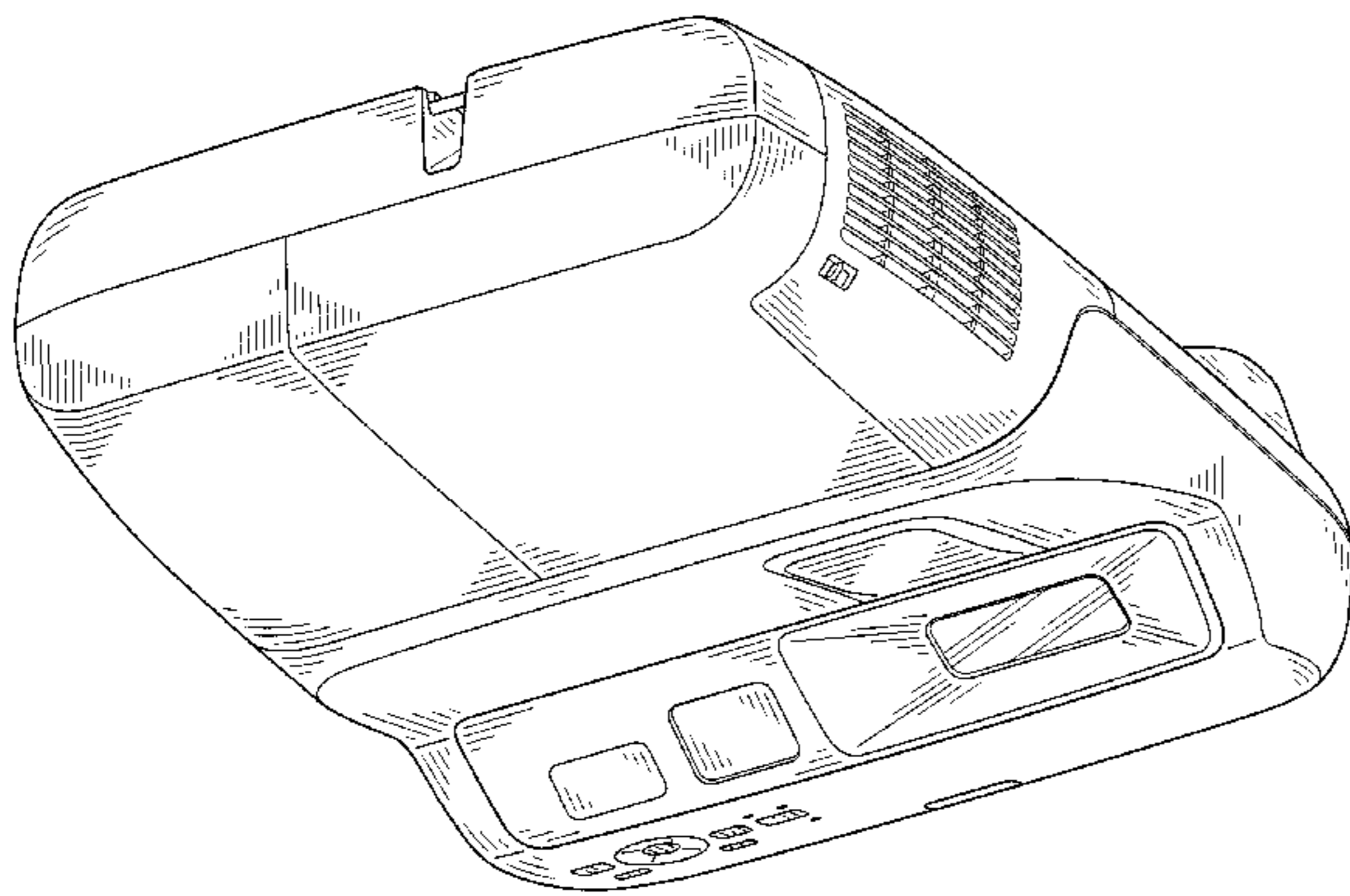
FIG. 8 is a bottom view thereof;

FIG. 9 is a perspective view thereof, with the projector attached to a mount; and,

FIG. 10 is a cross-sectional view taken along the line 10—10 of FIGS. 4 and 8 and between the lines 10'—40' of FIGS. 4 and 10"—10" of FIG. 8.

The broken lines in FIG. 9 are included for the purpose of illustrating a portion of the projector that forms no part of the claimed design. The broken lines immediately adjacent to the claimed areas shown in FIG. 10 represent the boundaries of the design. None of the broken lines form any part of the claimed design.

1 Claim, 8 Drawing Sheets



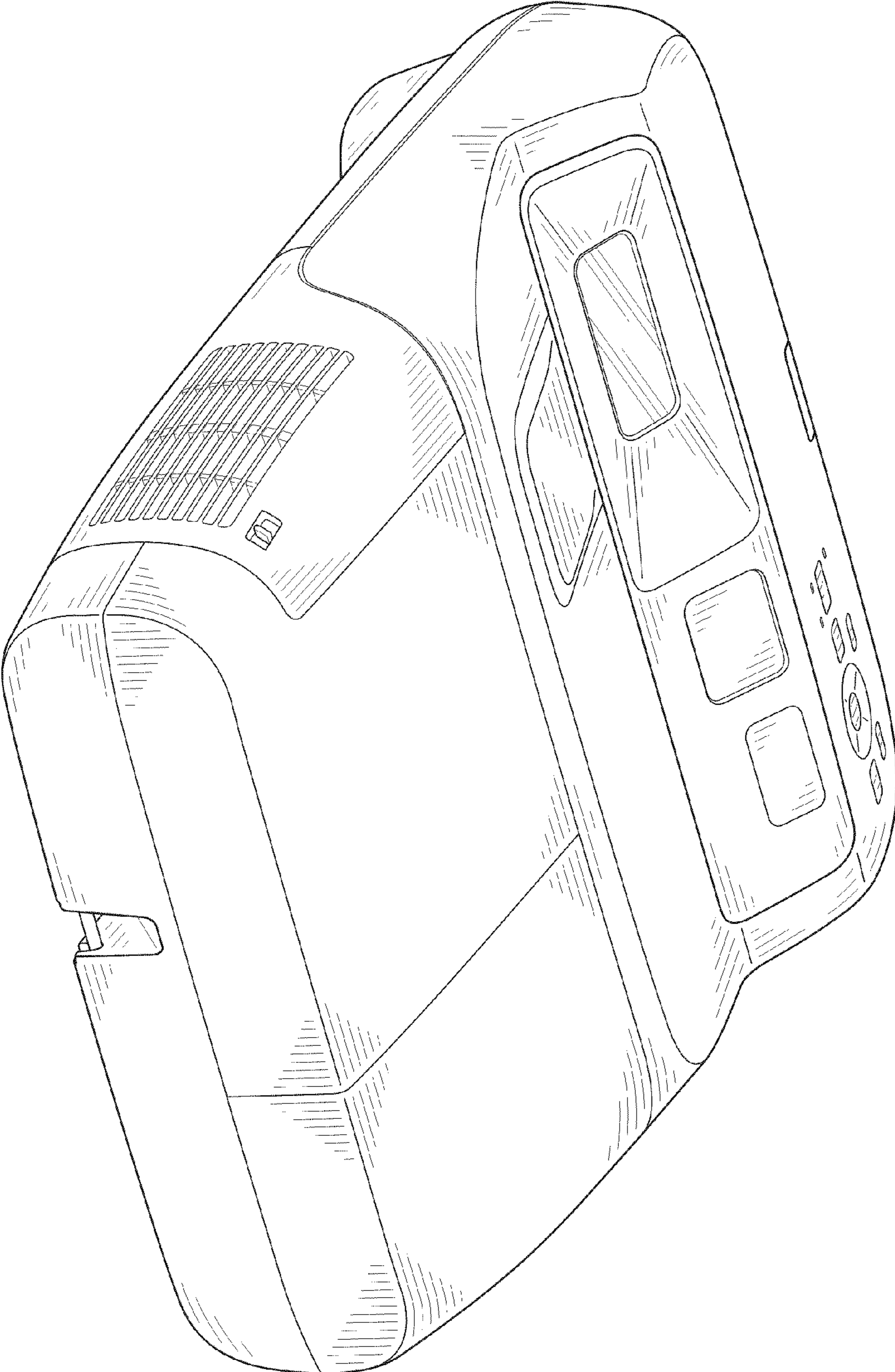


FIG. 1

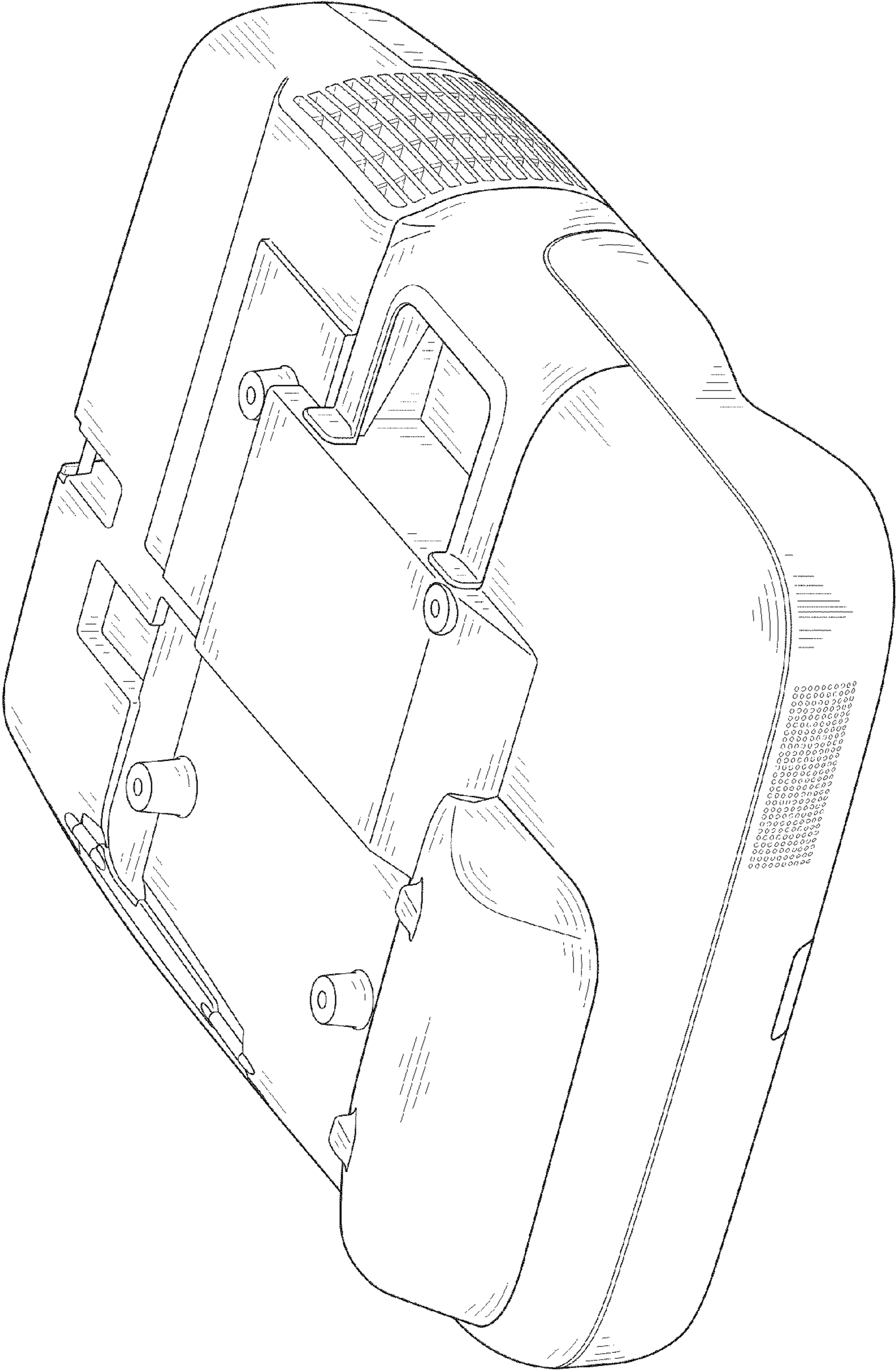


FIG. 2

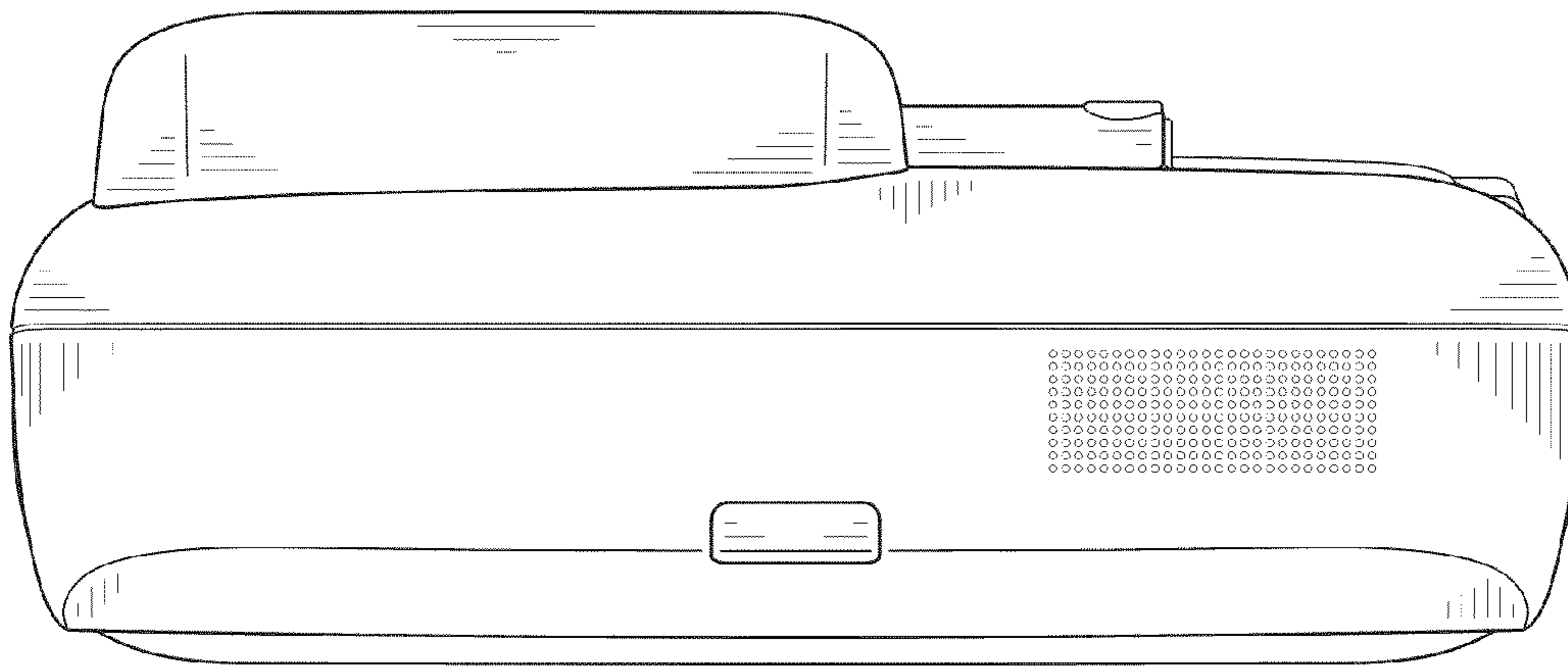


FIG. 3

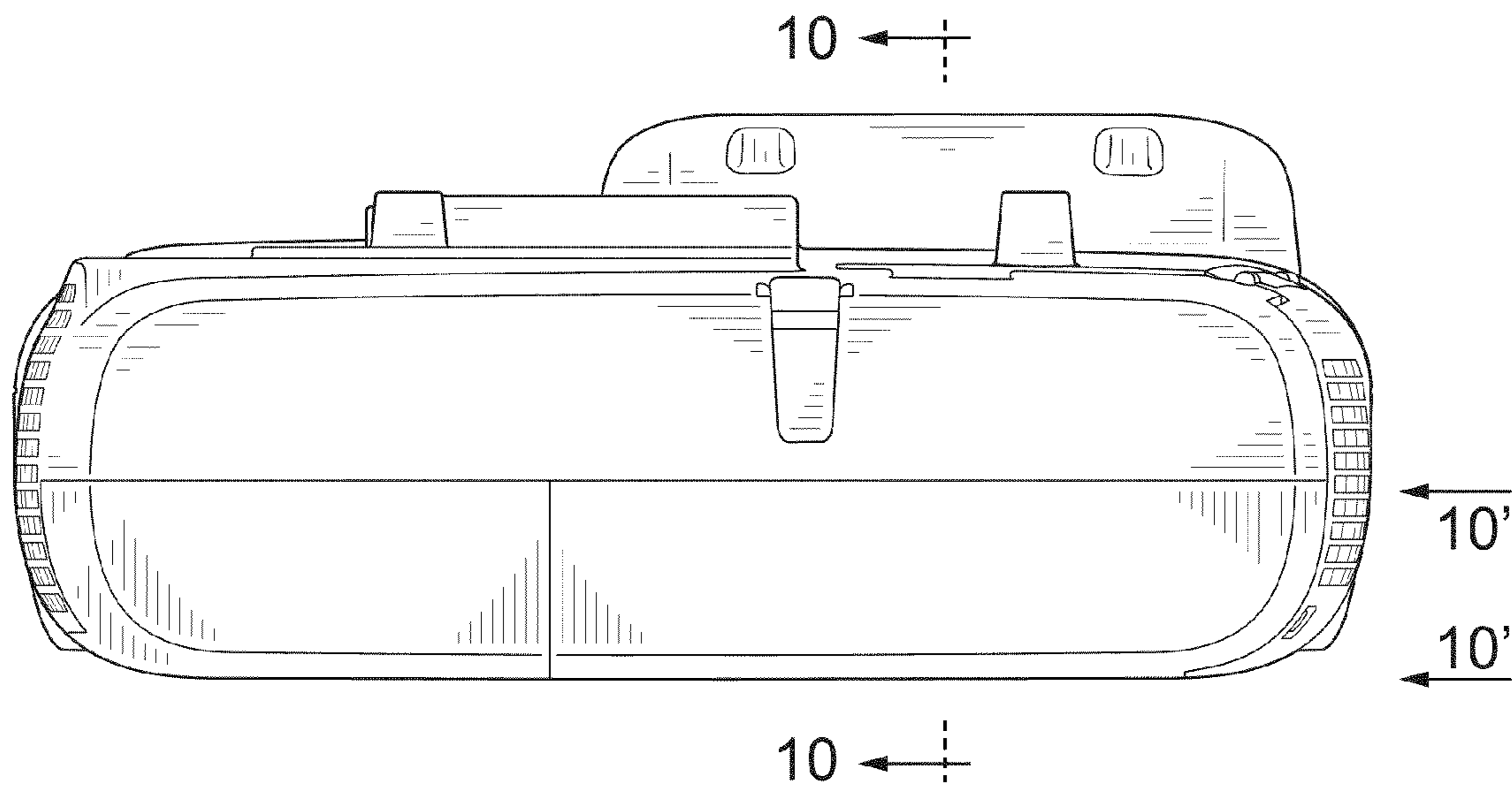


FIG. 4

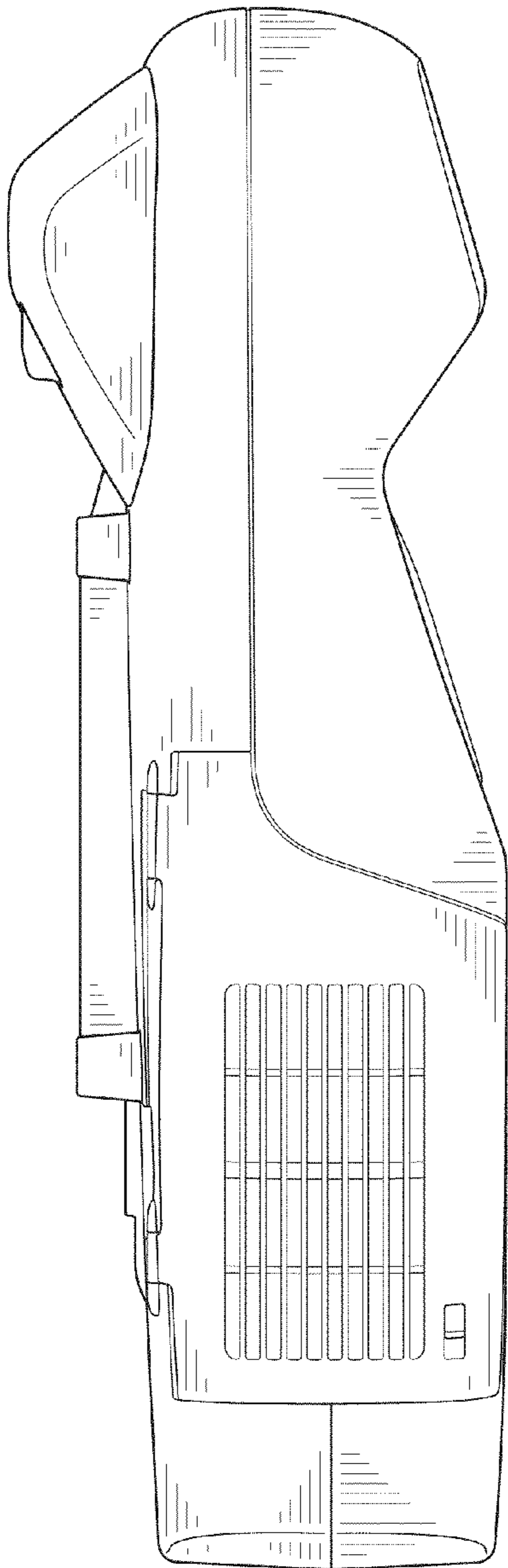


FIG. 5

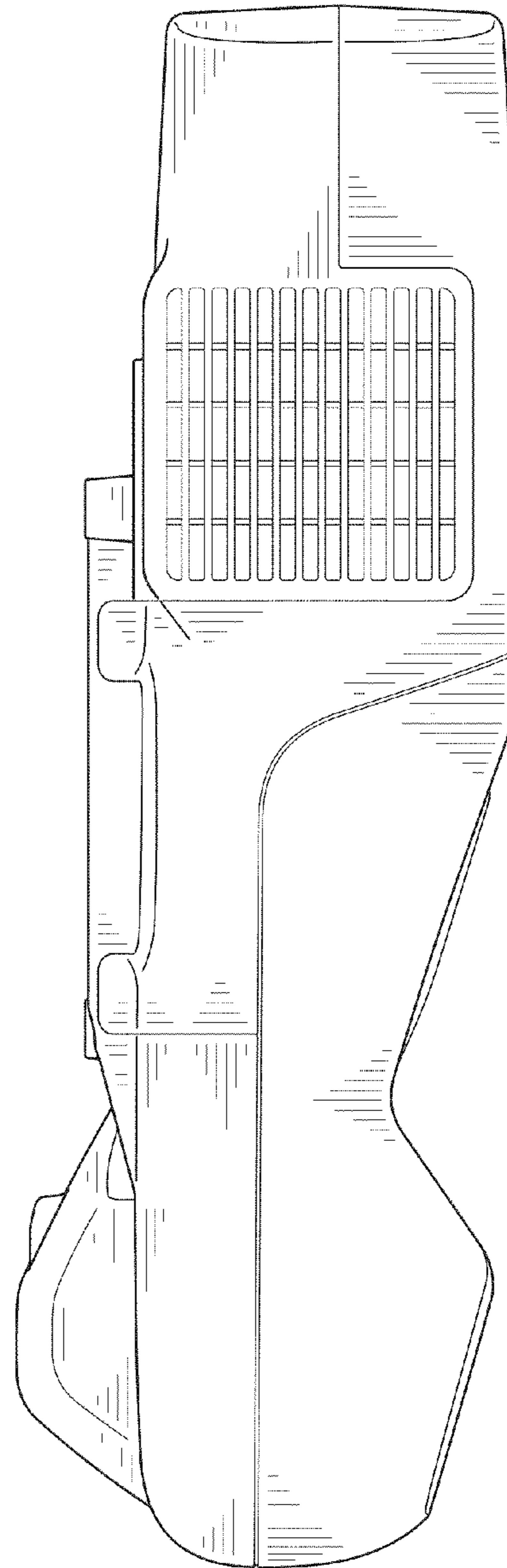


FIG. 6

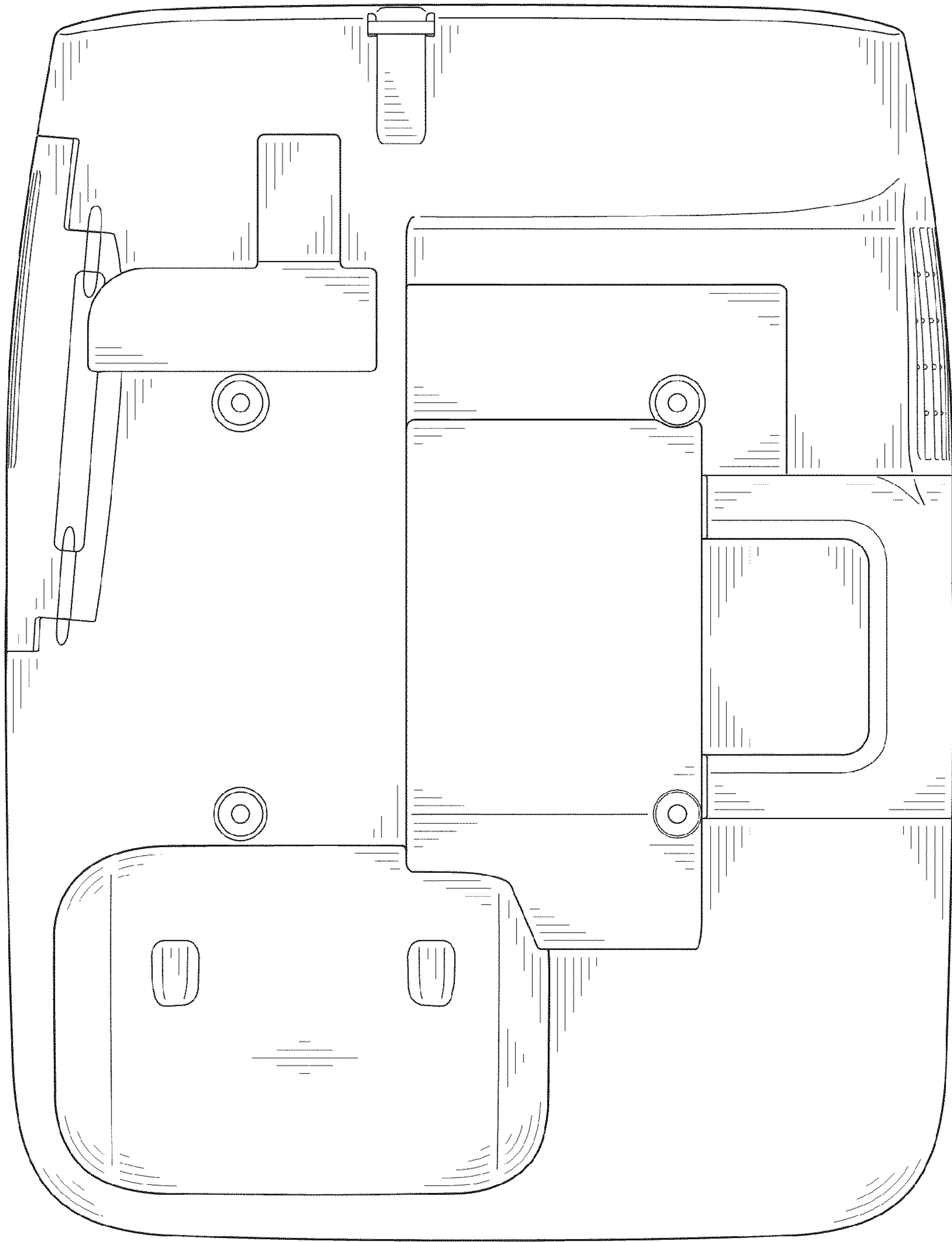


FIG. 7

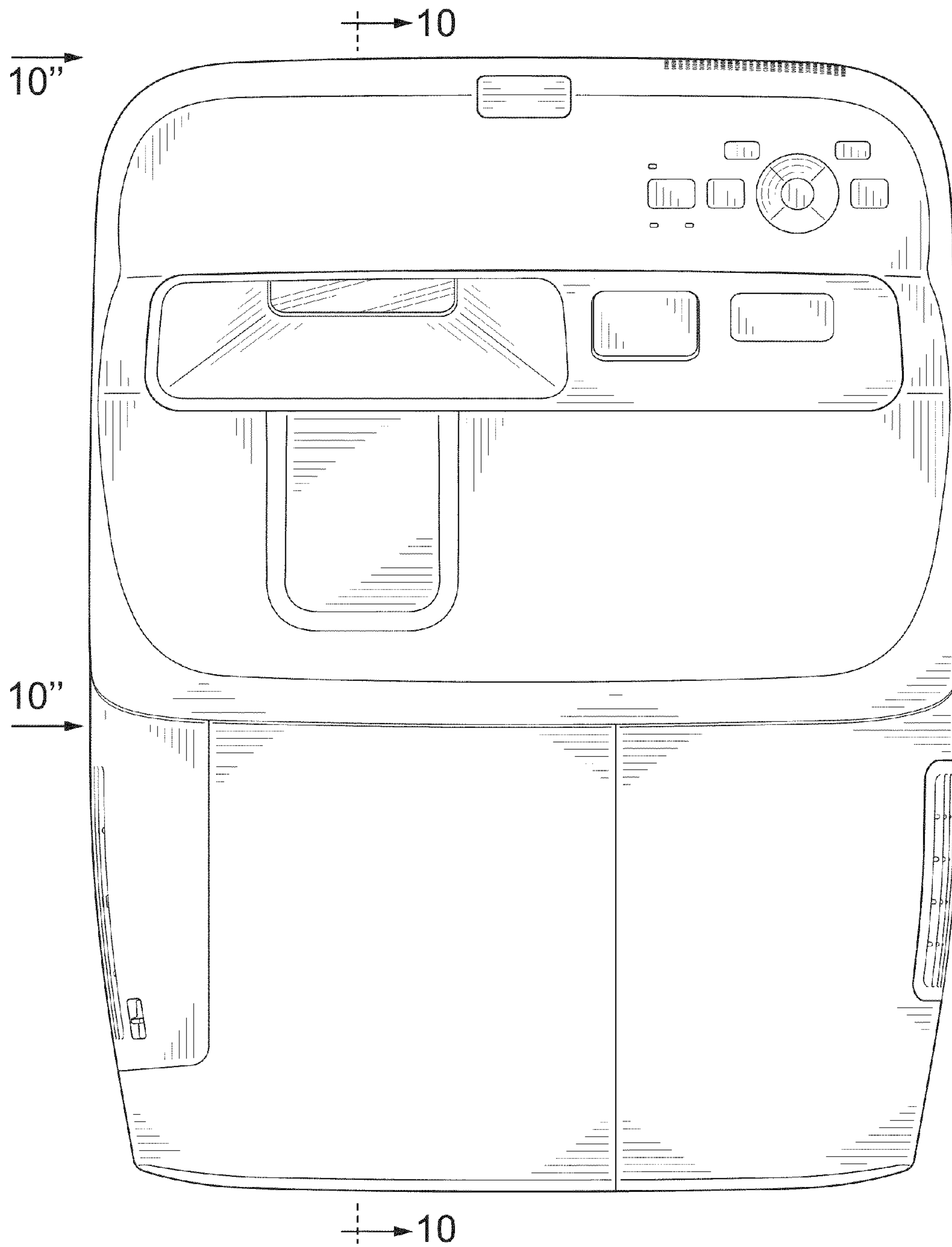


FIG. 8

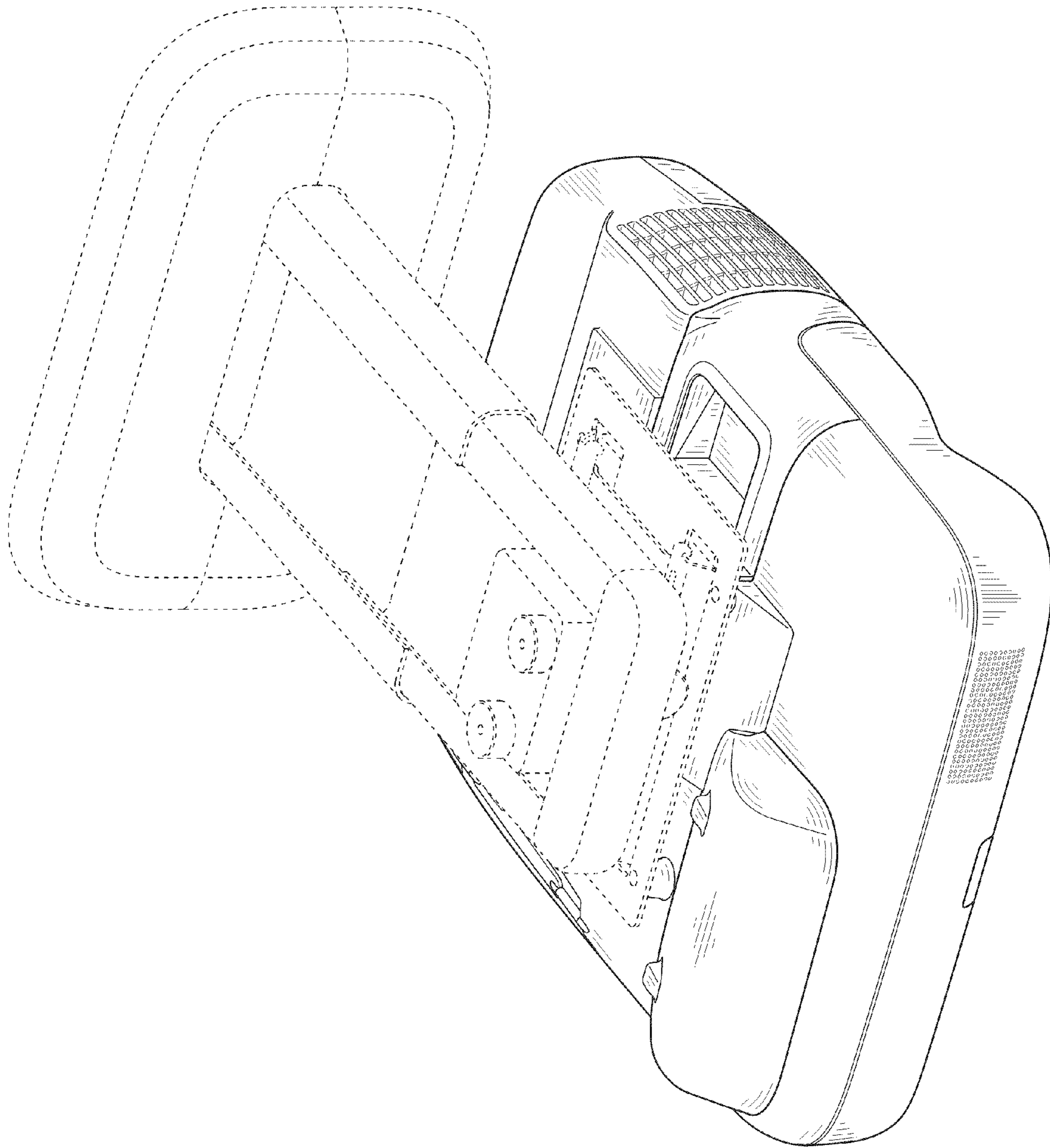


FIG. 9

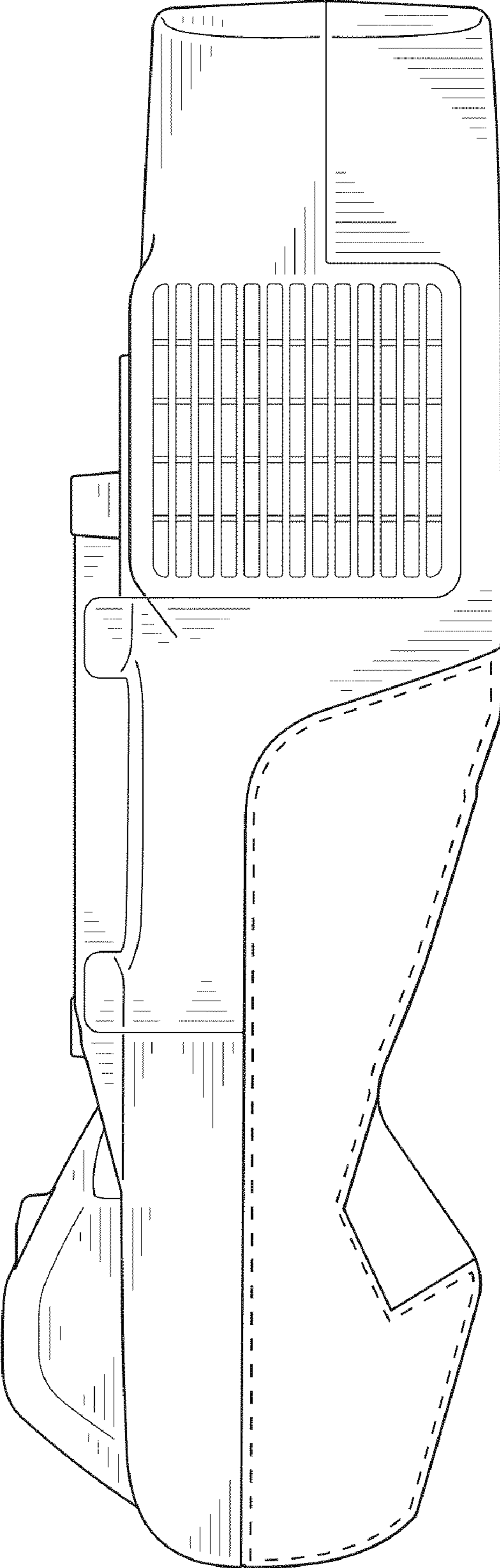


FIG. 10