



US00D623677S

(12) **United States Design Patent**  
**Hibi**

(10) **Patent No.:** **US D623,677 S**  
(45) **Date of Patent:** **\*\* Sep. 14, 2010**

(54) **VIDEO CAMERA**

(75) Inventor: **Keita Hibi**, Tokyo (JP)

(73) Assignee: **Sony Corporation**, Tokyo (JP)

(\*\*) Term: **14 Years**

(21) Appl. No.: **29/309,138**

(22) Filed: **Jun. 26, 2008**

(30) **Foreign Application Priority Data**

Dec. 28, 2007 (JP) ..... D2007-036230

(51) **LOC (9) Cl.** ..... **16-05**

(52) **U.S. Cl.** ..... **D16/219**

(58) **Field of Classification Search** ..... D16/200–205,  
D16/218, 219; 348/373–376; 358/906; 396/535–541  
See application file for complete search history.

(56) **References Cited**

**U.S. PATENT DOCUMENTS**

5,499,052	A *	3/1996	Nakanishi et al. ....	348/373
D368,922	S	4/1996	Tanaka	
D384,963	S	10/1997	Sekita	
D431,582	S	10/2000	Sumita et al.	
D435,575	S	12/2000	Kanatani	
D463,469	S	9/2002	Kawase	
D488,495	S	4/2004	Shimizu	
D496,061	S	9/2004	Hayashi	
D500,512	S	1/2005	Hayashi	
D500,776	S	1/2005	Miyashita	
D511,350	S	11/2005	Sumita	

D516,597	S	3/2006	Tsuchiya	
D516,600	S	3/2006	Tsuchiya	
D557,719	S	12/2007	Yasutomi	
D558,244	S	12/2007	Ikenaga	
D558,245	S	12/2007	Ikenaga	
D565,625	S *	4/2008	Ikenaga et al. ....	D16/219
D566,150	S	4/2008	Sadatsuki	
D584,754	S *	1/2009	Chung et al. ....	D16/202
D593,590	S *	6/2009	Tanifuji et al. ....	D16/202

\* cited by examiner

*Primary Examiner*—Adir Aronovich

(74) *Attorney, Agent, or Firm*—Rader, Fishman & Grauer PLLC

(57) **CLAIM**

The ornamental design for a video camera, as shown and described.

**DESCRIPTION**

FIG. 1 is a front perspective view of a video camera showing my new design;

FIG. 2 is a front elevational view thereof;

FIG. 3 is a rear elevational view thereof;

FIG. 4 is a left side elevational view thereof;

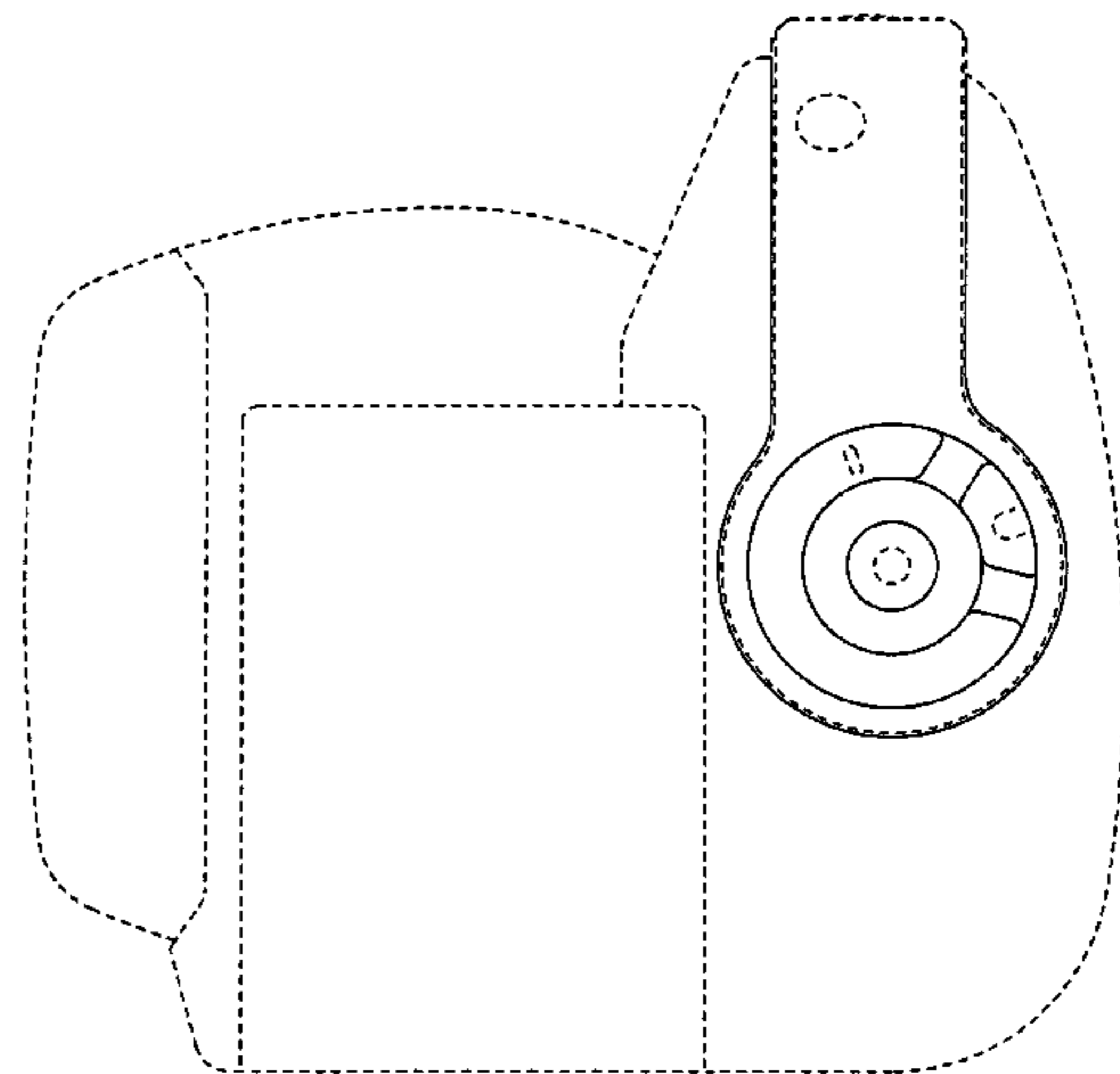
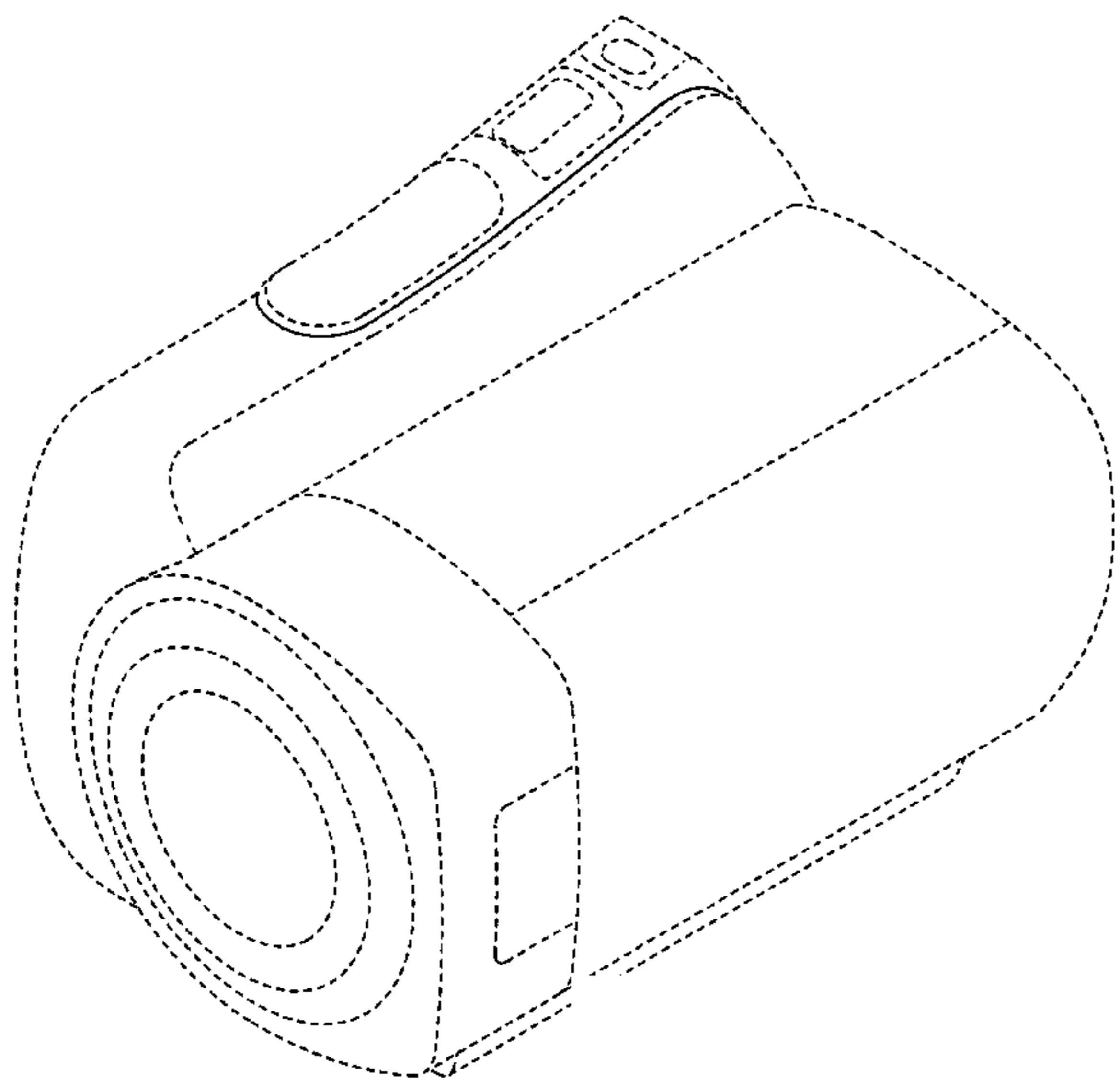
FIG. 5 is a right side elevational view thereof;

FIG. 6 is a top plan view thereof; and,

FIG. 7 is a bottom plan view thereof.

The portions indicated in broken lines are for illustrative purposes only and form no part of the claimed design.

**1 Claim, 7 Drawing Sheets**



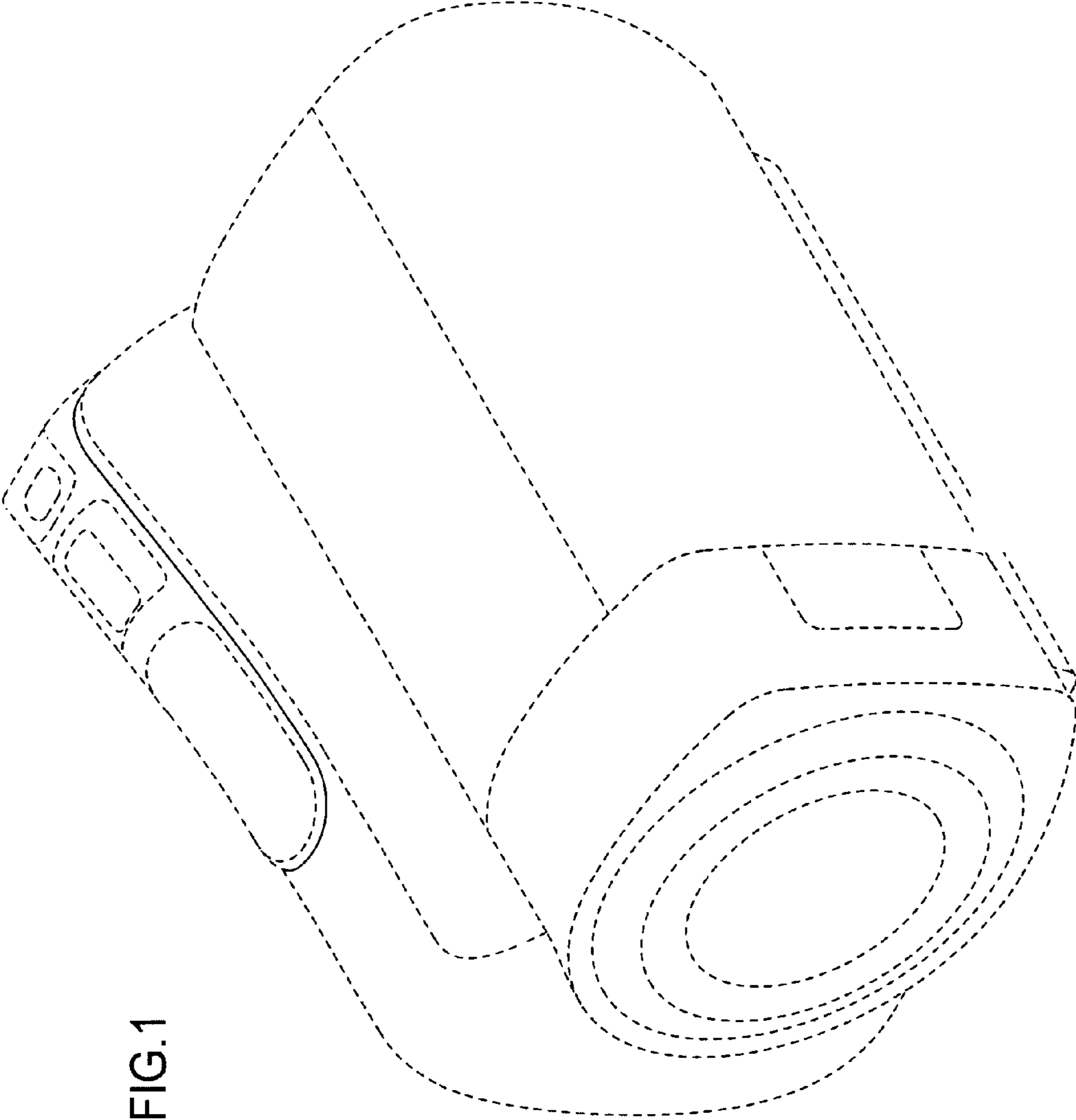


FIG. 1

FIG.2

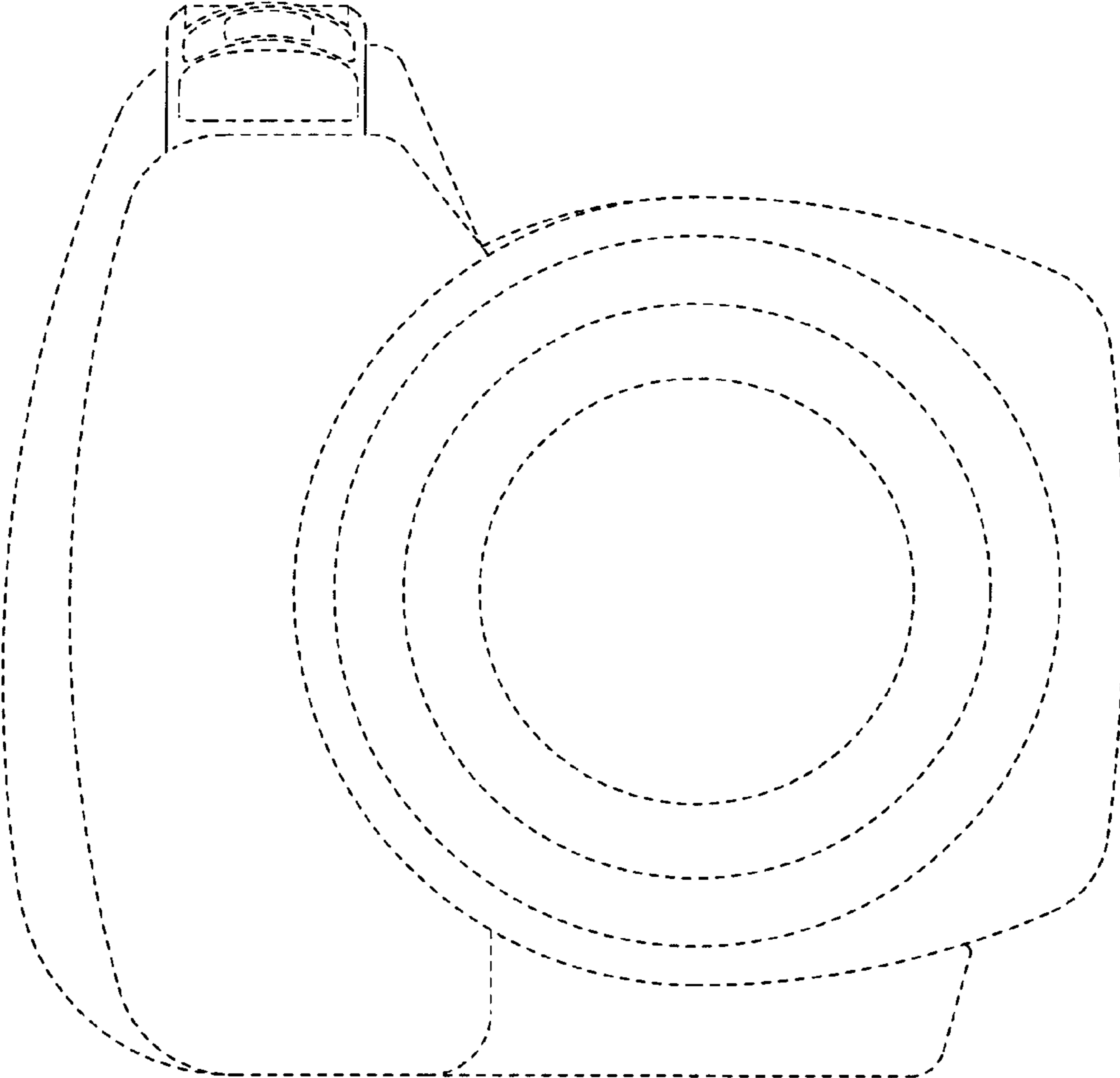


FIG.3

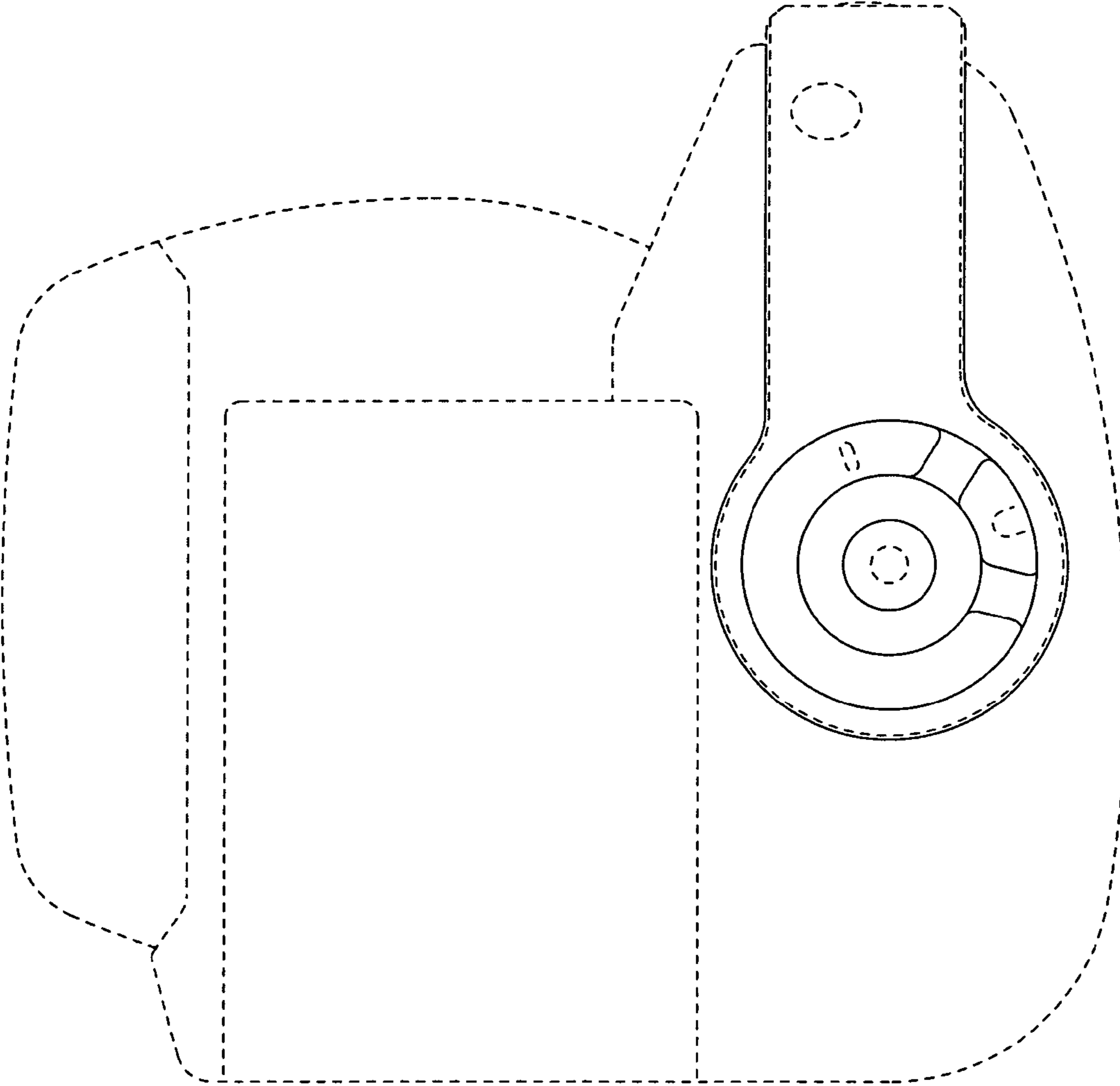


FIG.4

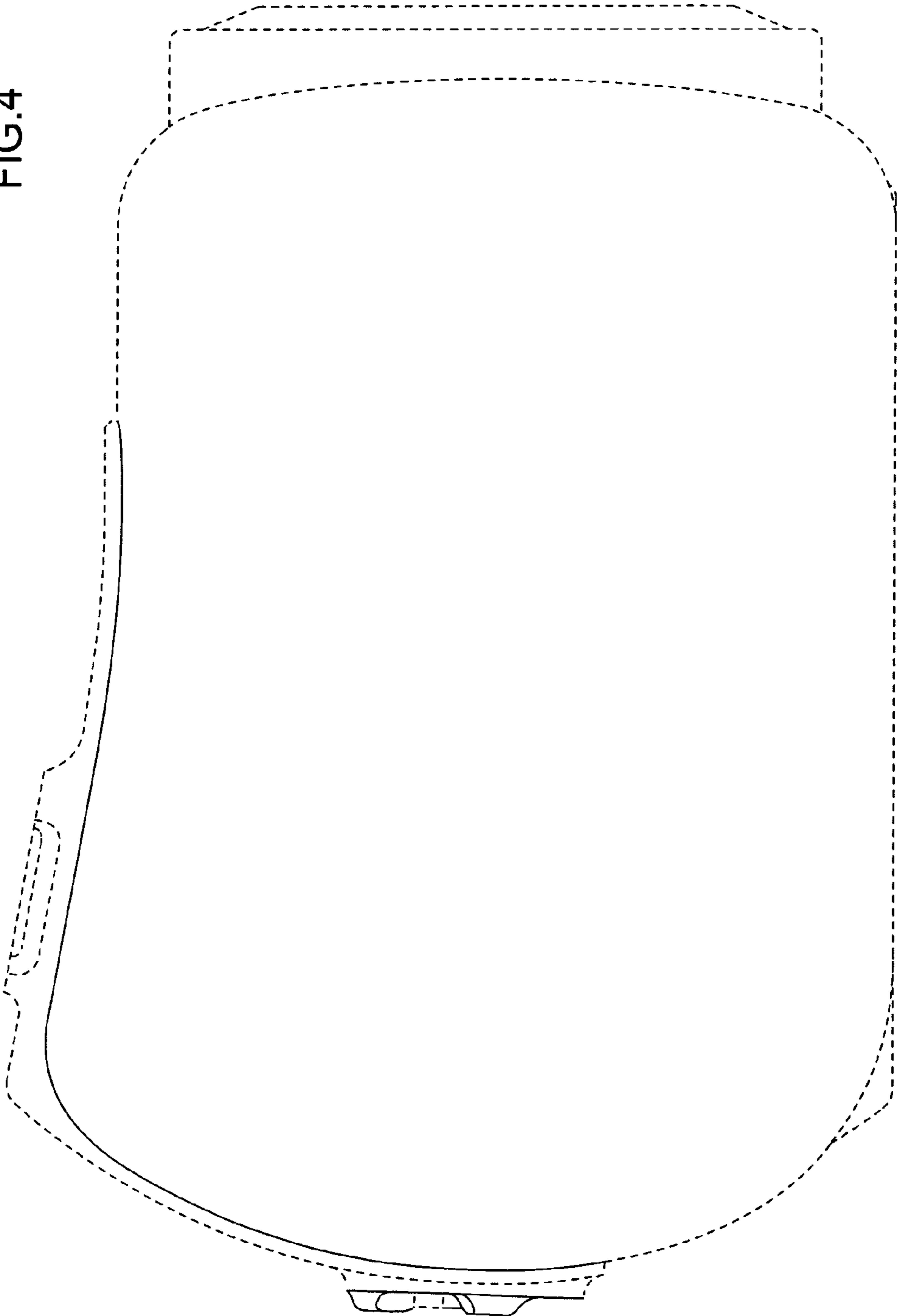


FIG.5

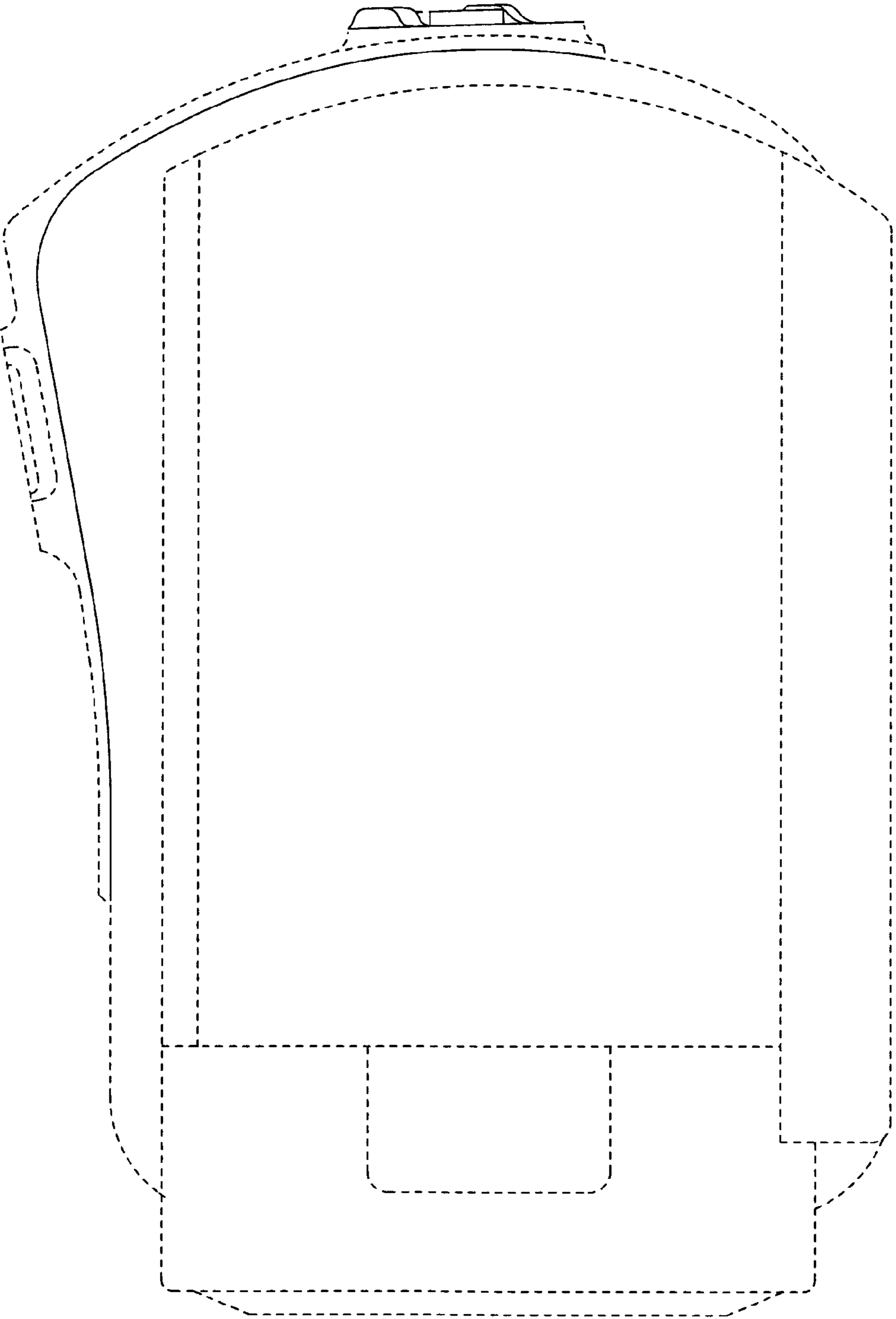


FIG.6

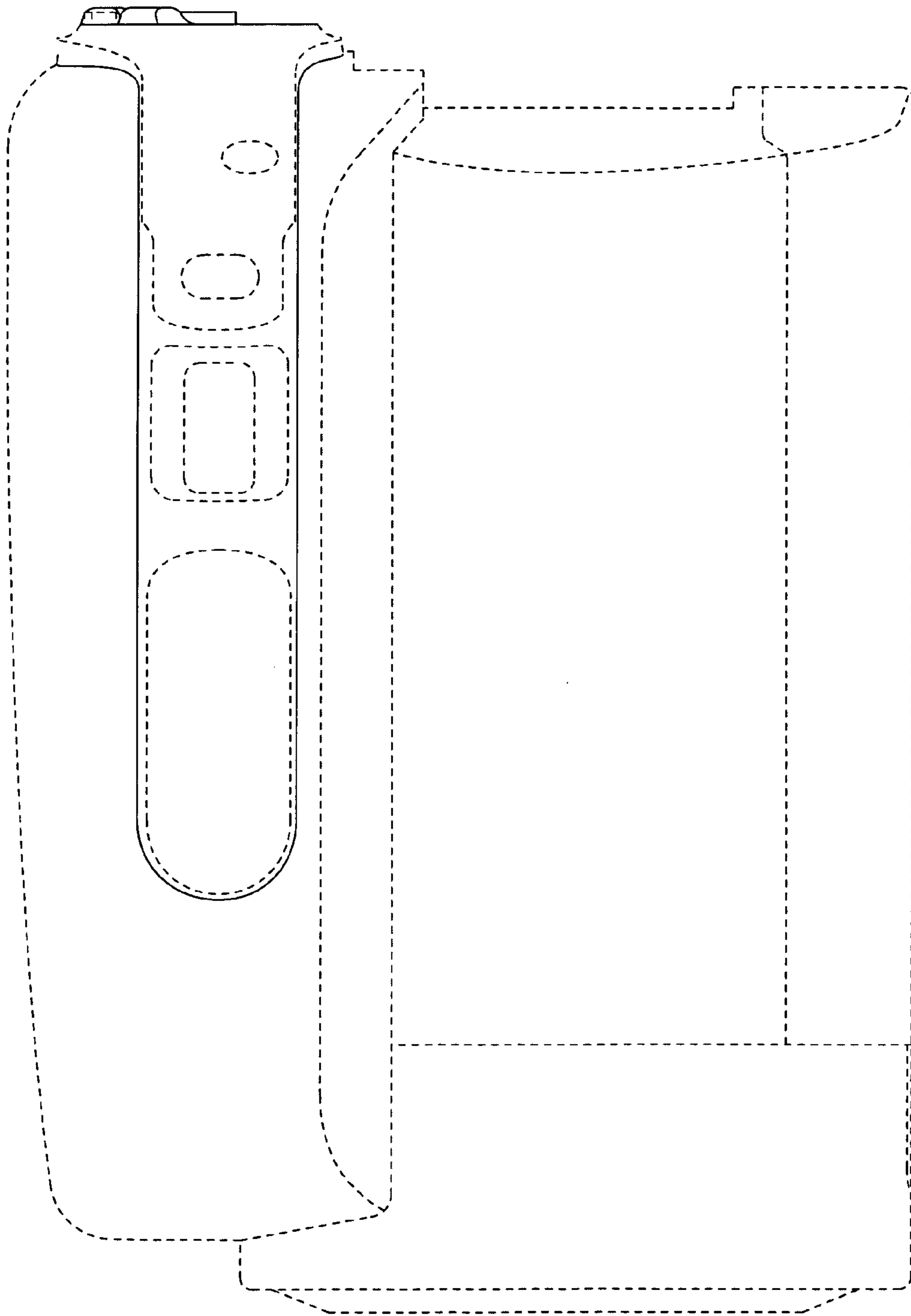


FIG.7

