



US00D623676S

(12) **United States Design Patent**  
**Yanagisawa**

(10) **Patent No.:** **US D623,676 S**  
(45) **Date of Patent:** **\*\* Sep. 14, 2010**

(54) **BINOCULARS**

(75) Inventor: **Masaaki Yanagisawa**, Chigasaki (JP)

(73) Assignee: **Nikon Vision Co., Ltd.**, Tokyo (JP)

(\*\*) Term: **14 Years**

(21) Appl. No.: **29/350,683**

(22) Filed: **Nov. 20, 2009**

(51) **LOC (9) Cl.** ..... **16-06**

(52) **U.S. Cl.** ..... **D16/133**

(58) **Field of Classification Search** ..... D16/133;  
D21/483; 359/407, 408, 412, 414, 415, 416,  
359/417, 418, 419, 420, 422, 481, 426, 554,  
359/555, 556, 557, 558, 804, 809, 835  
See application file for complete search history.

(56) **References Cited**

**U.S. PATENT DOCUMENTS**

D83,934 S *	4/1931	Trautmann	.....	D16/133
D140,730 S *	4/1945	Kende	.....	D16/133
D195,146 S *	4/1963	Jensen	.....	D16/133
4,329,013 A *	5/1982	Hengst	.....	359/418
D359,972 S *	7/1995	Takahashi	.....	D16/133
D412,177 S *	7/1999	Fujii	.....	D16/133
D469,455 S *	1/2003	Yanagisawa	.....	D16/133
D470,160 S *	2/2003	Meinzer	.....	D16/133
D486,507 S *	2/2004	Fujii	.....	D16/133
D492,335 S *	6/2004	Watanabe	.....	D16/133
D492,711 S *	7/2004	Watanabe	.....	D16/133
D503,730 S *	4/2005	Hamamura	.....	D16/133
D523,047 S *	6/2006	Swift et al.	.....	D16/133

7,271,954 B2 *	9/2007	Perger et al.	.....	359/407
D567,275 S *	4/2008	Hayamizu	.....	D16/133
D575,315 S *	8/2008	Inaba	.....	D16/133
D579,472 S *	10/2008	Yanagisawa	.....	D16/133
D590,855 S *	4/2009	Watanabe	.....	D16/133
D590,857 S *	4/2009	Fujii	.....	D16/133
D602,059 S *	10/2009	Inaba	.....	D16/133

**FOREIGN PATENT DOCUMENTS**

JP	S-1022356	10/1998
JP	S-1336368	7/2008

\* cited by examiner

*Primary Examiner*—Paula Greene

(74) *Attorney, Agent, or Firm*—Olliff & Berridge, PLC

(57) **CLAIM**

The ornamental design for binoculars, as shown and described.

**DESCRIPTION**

FIG. 1 is a perspective view of binoculars;

FIG. 2 is a front view thereof;

FIG. 3 is a rear view thereof;

FIG. 4 is a right-side view thereof;

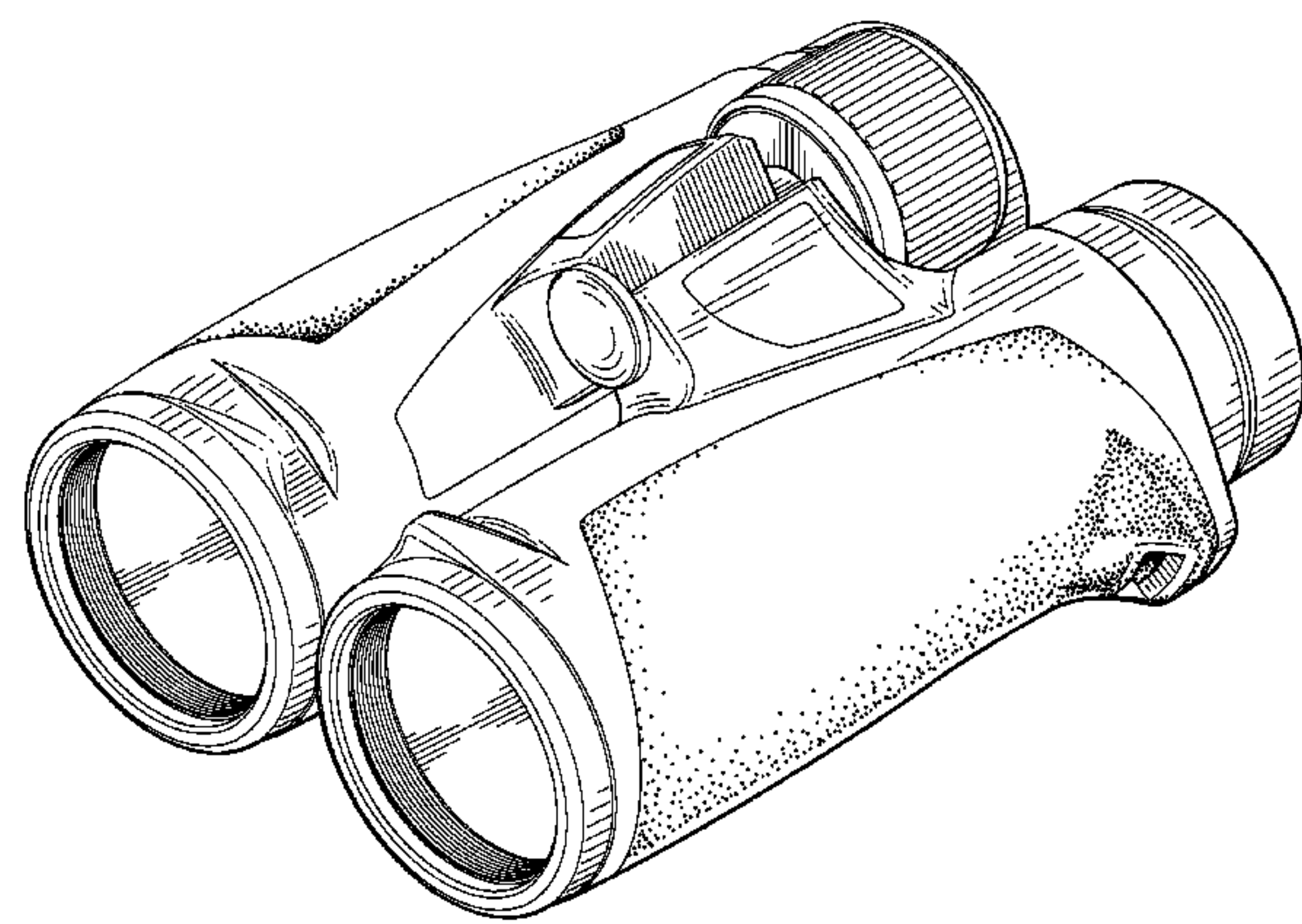
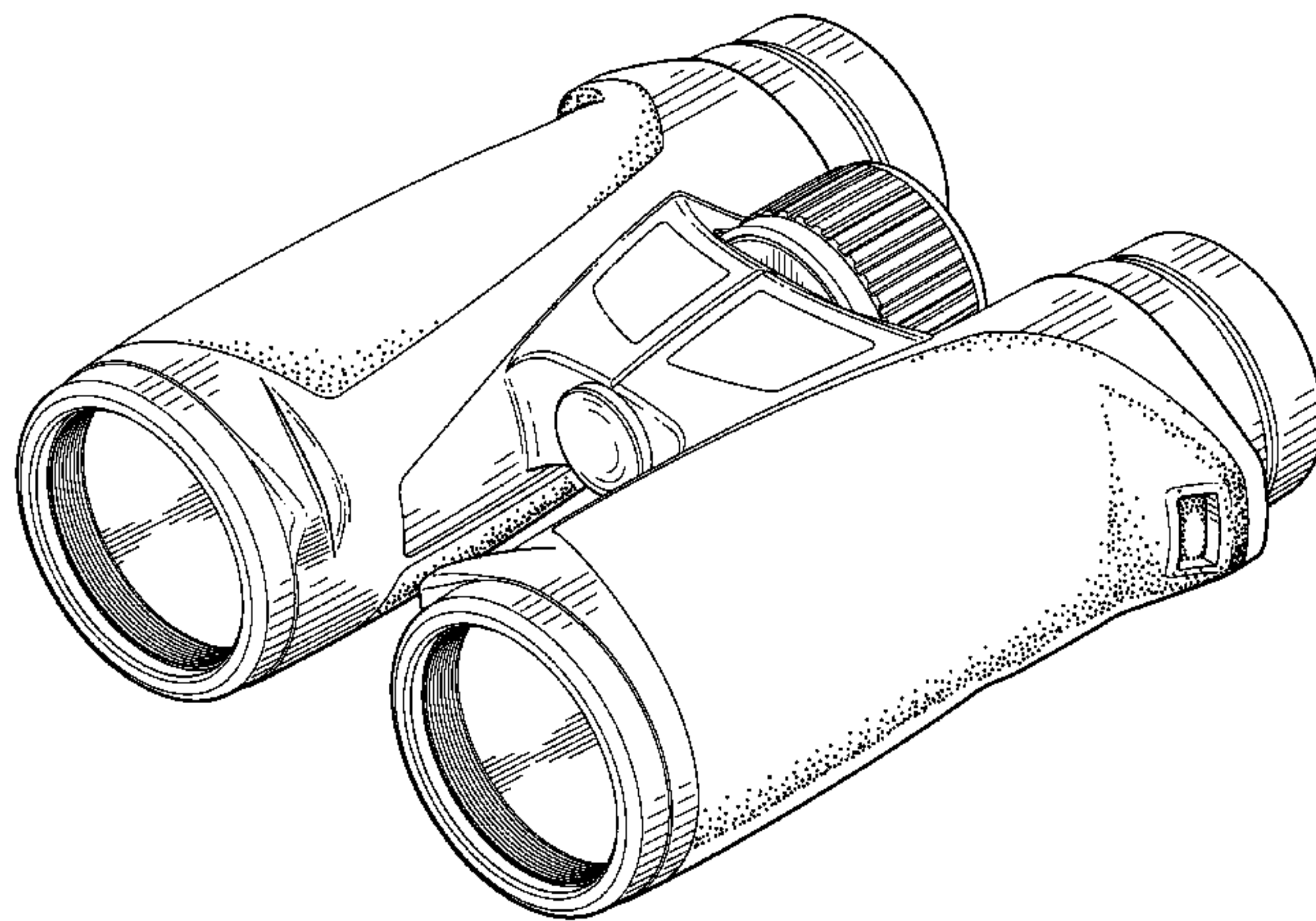
FIG. 5 is a left-side view thereof;

FIG. 6 is a top view thereof;

FIG. 7 is a bottom view thereof; and,

FIG. 8 is another perspective view thereof in a folded position.

**1 Claim, 7 Drawing Sheets**



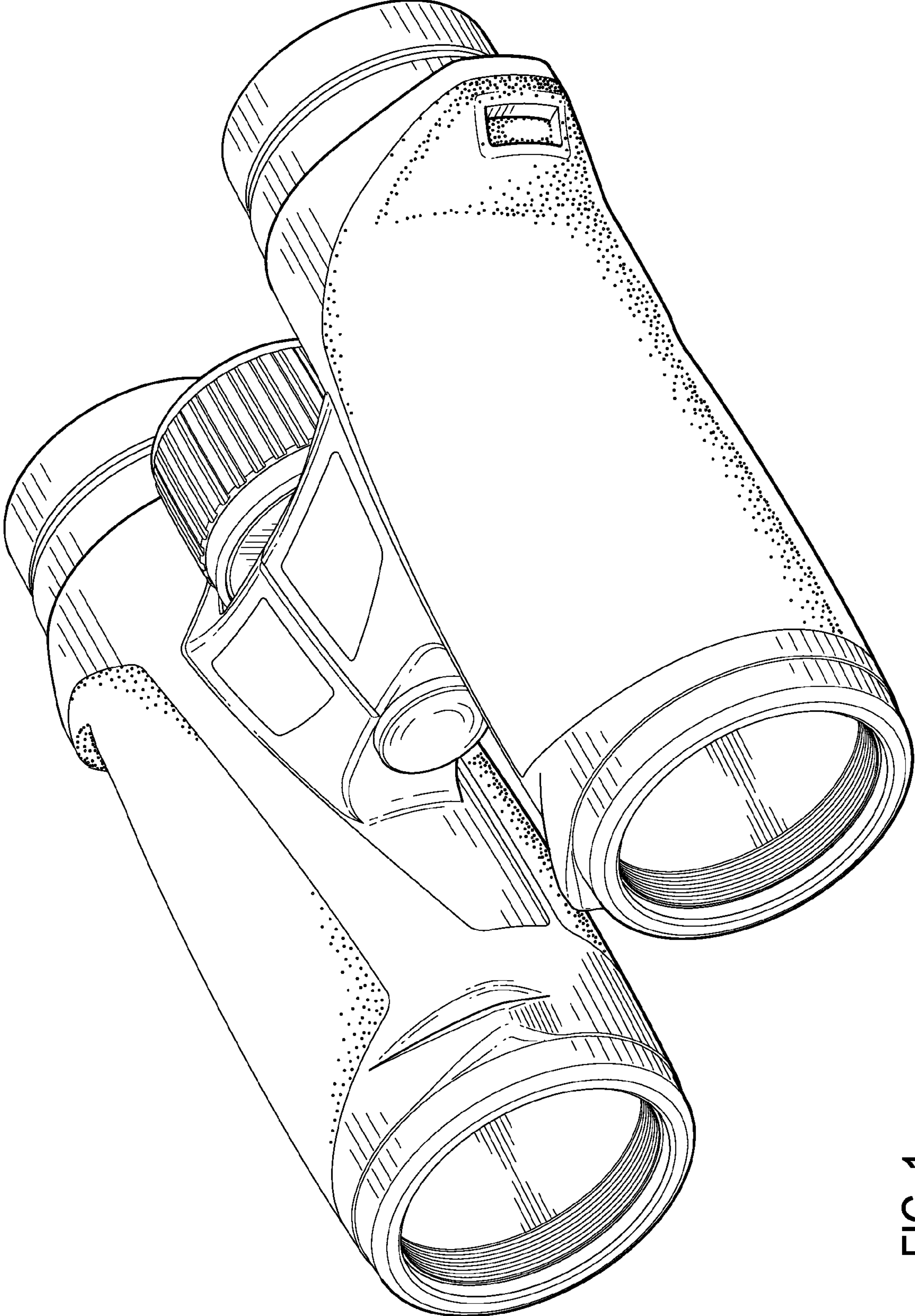


FIG. 1



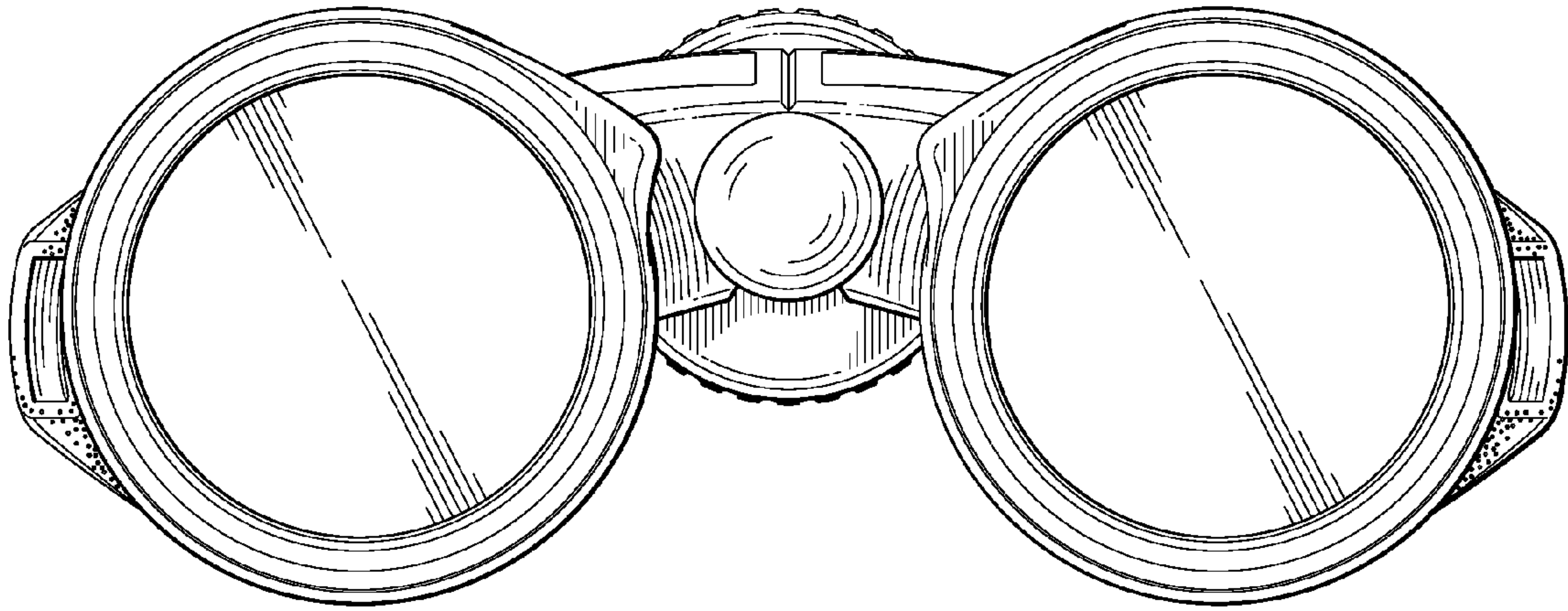


FIG. 2

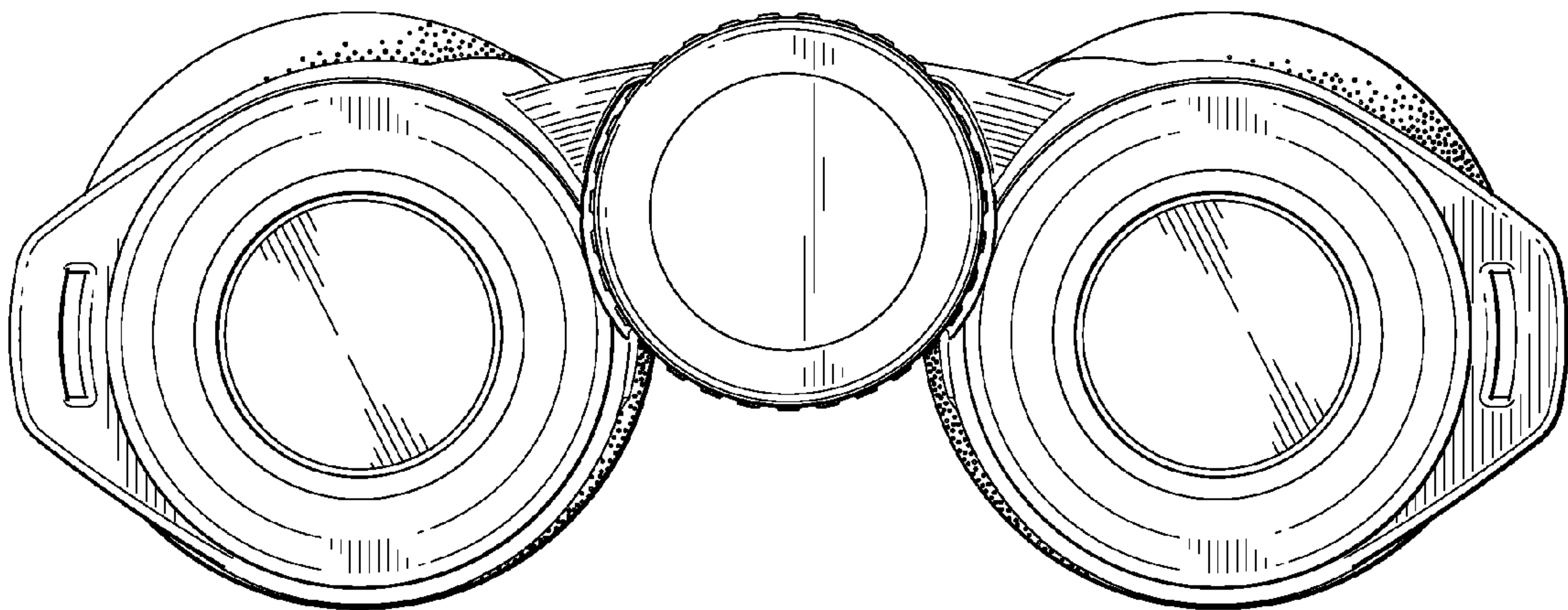


FIG. 3

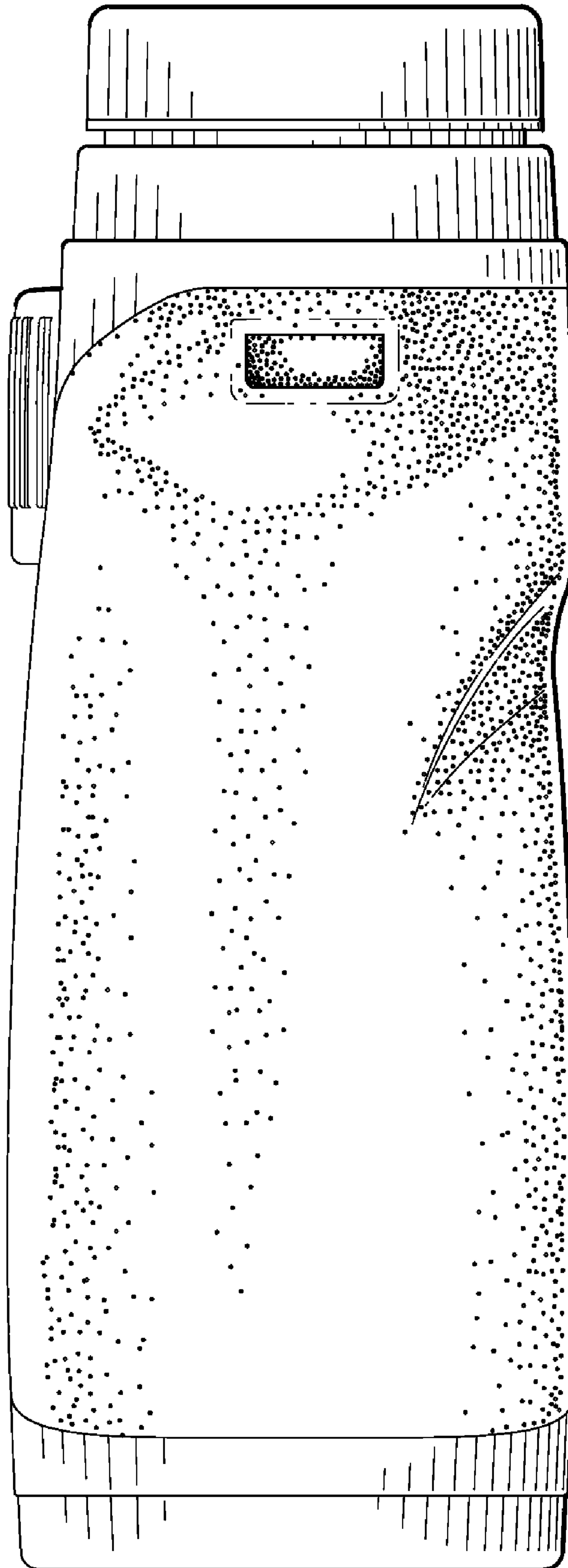


FIG. 4



FIG. 5

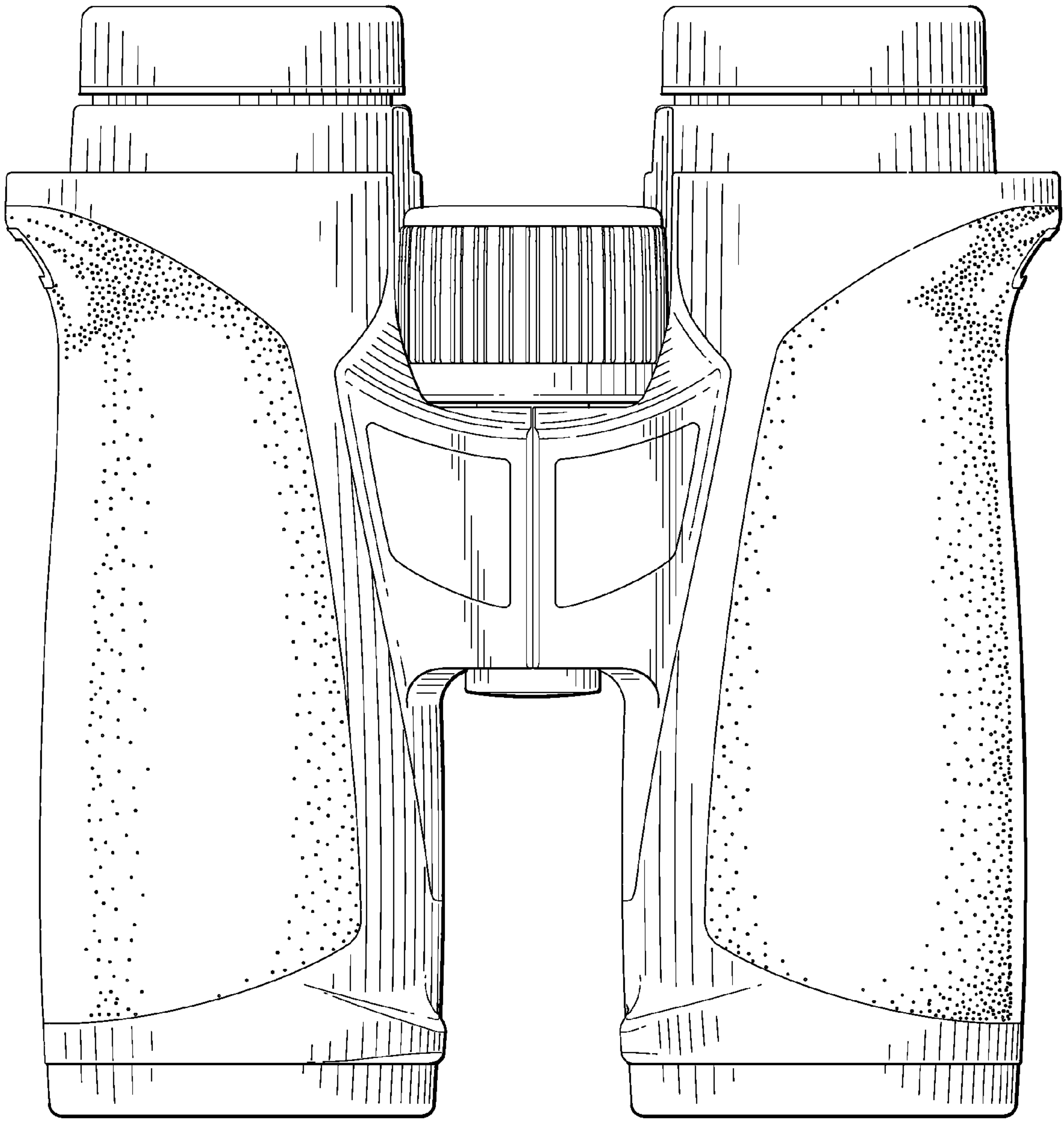


FIG. 6

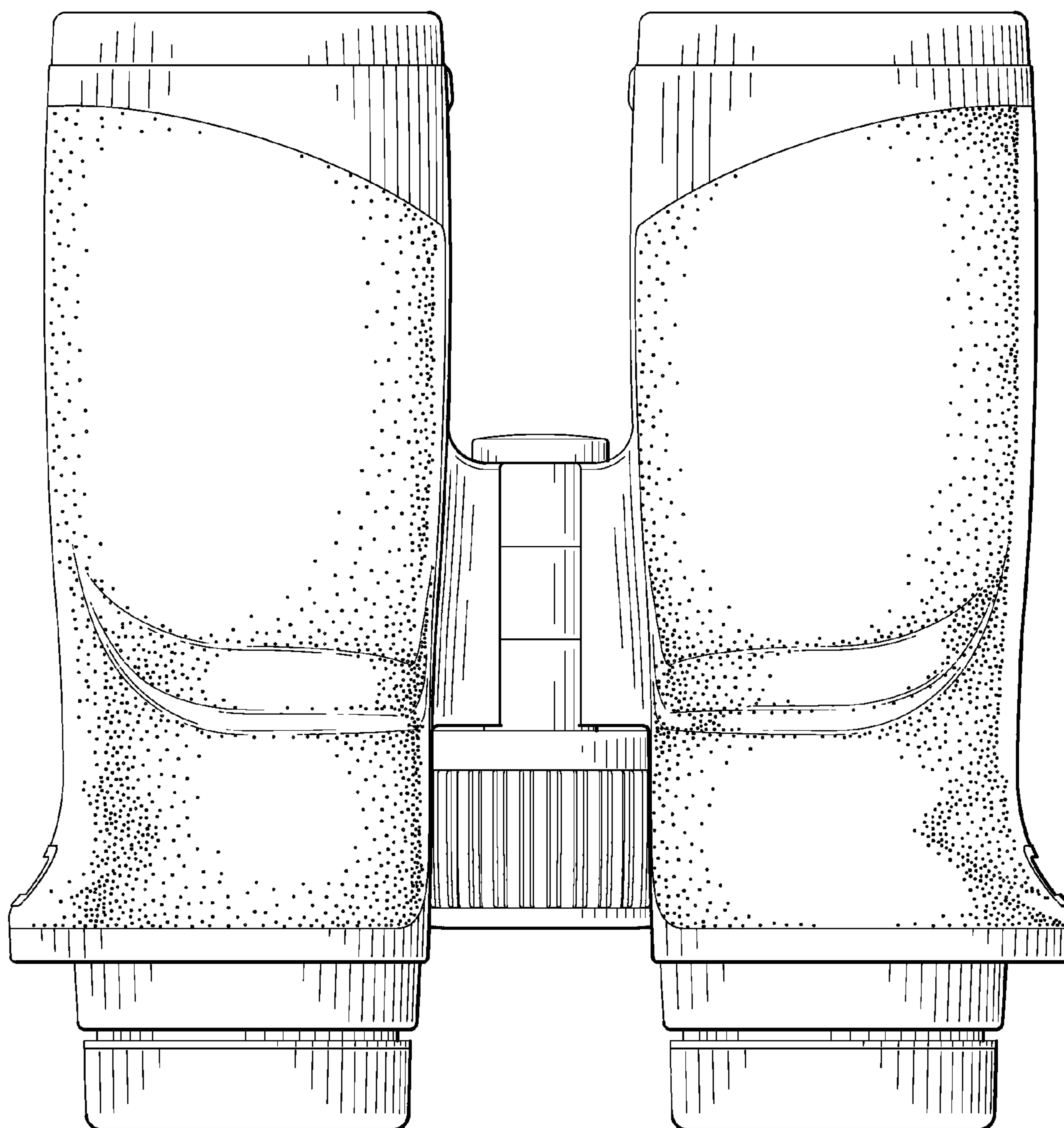


FIG. 7



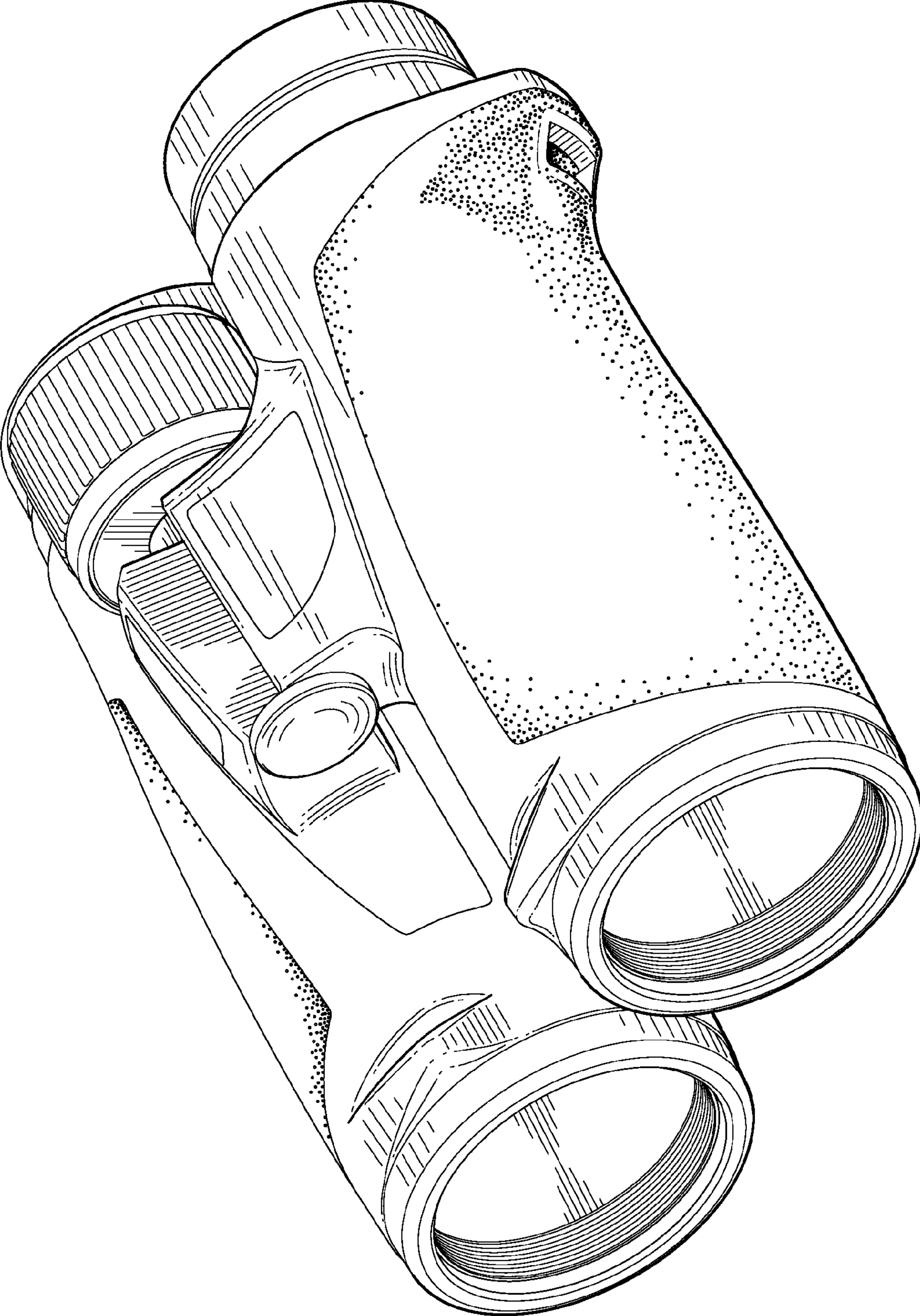


FIG. 8