



US00D623671S

(12) **United States Design Patent**
Bolyard

(10) **Patent No.:** **US D623,671 S**

(45) **Date of Patent:** **** Sep. 14, 2010**

(54) **LOADER BUCKET ATTACHMENT**

(76) Inventor: **Glenn Bolyard**, 712 C.R. 44100,
Powderly, TX (US) 75473

(**) Term: **14 Years**

(21) Appl. No.: **29/354,147**

(22) Filed: **Jan. 20, 2010**

(51) **LOC (9) Cl.** **15-03**

(52) **U.S. Cl.** **D15/32**

(58) **Field of Classification Search** D15/28,
D15/29, 32, 22-26; 37/450, 452-456, 446,
37/449, 903, 403, 405, 409, 444; 414/724,
414/912

See application file for complete search history.

(56) **References Cited**

U.S. PATENT DOCUMENTS

1,959,847	A *	5/1934	Van Buskirk	37/450
1,989,776	A *	2/1935	Weimer	37/450
2,965,989	A *	12/1960	Hibbard	172/701.2
3,281,972	A *	11/1966	Kerestes	37/446
3,497,973	A *	3/1970	Campbell	37/446
3,834,567	A *	9/1974	Miller	414/724
D249,088	S *	8/1978	Dahlberg	D15/32
4,303,507	A *	12/1981	Smith	209/252
4,449,309	A *	5/1984	Hemphill	37/444
D275,679	S *	9/1984	Bradshaw	D15/28
5,253,449	A *	10/1993	Webb et al.	37/446
5,413,181	A *	5/1995	Keigley	172/253
D361,772	S *	8/1995	Hulsey	D15/32
5,515,625	A *	5/1996	Keigley	37/405
5,741,112	A *	4/1998	Lakin et al.	414/722
D406,153	S *	2/1999	Holzer et al.	D15/32
5,924,270	A *	7/1999	Bruns	56/320.1
D446,223	S *	8/2001	Edwards	D15/29
6,434,865	B2 *	8/2002	Renski et al.	37/446

D478,599	S *	8/2003	Zaayman et al.	D15/32
6,990,760	B1 *	1/2006	Zaayman et al.	37/446
D537,846	S *	3/2007	Block	D15/32
7,191,846	B2 *	3/2007	Matsumoto et al.	172/811
7,266,914	B2 *	9/2007	Grant	37/446
D554,159	S *	10/2007	Boggs et al.	D15/32
7,287,344	B2 *	10/2007	Kostyak	37/407
2001/0005950	A1 *	7/2001	Renski et al.	37/444
2002/0078607	A1 *	6/2002	Perry et al.	37/446
2004/0216335	A1 *	11/2004	Jones	37/453
2005/0172524	A1 *	8/2005	Grant	37/446
2005/0172525	A1 *	8/2005	Kostyak	37/449
2008/0201995	A1 *	8/2008	Browder	37/450

* cited by examiner

Primary Examiner—Mark A Goodwin

(74) *Attorney, Agent, or Firm*—Kenneth L Tolar

(57) **CLAIM**

I claim the ornamental design for a loader bucket attachment, as shown and described.

DESCRIPTION

FIG. 1 is a perspective view of the loader bucket attachment showing my new design in use condition.

FIG. 2 is a top plan view thereof.

FIG. 3 is a bottom plan view thereof.

FIG. 4 is a front view thereof.

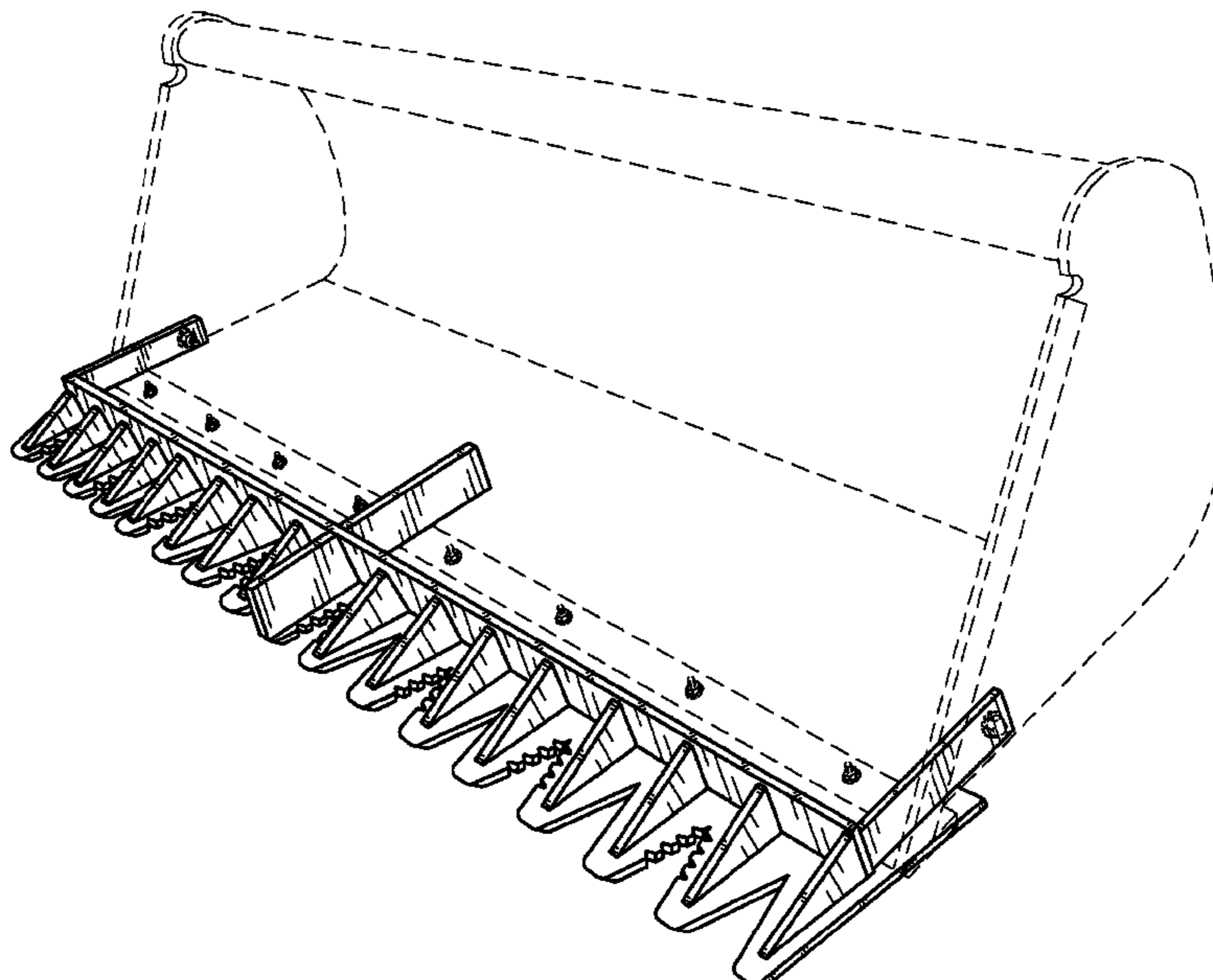
FIG. 5 is a left side view thereof.

FIG. 6 is a right side view thereof; and,

FIG. 7 is a rear view thereof.

The broken line showing of a loader bucket and bolts in FIG. 1 is included for the purpose of illustrating environmental structure and forms no part of the claimed design.

1 Claim, 3 Drawing Sheets



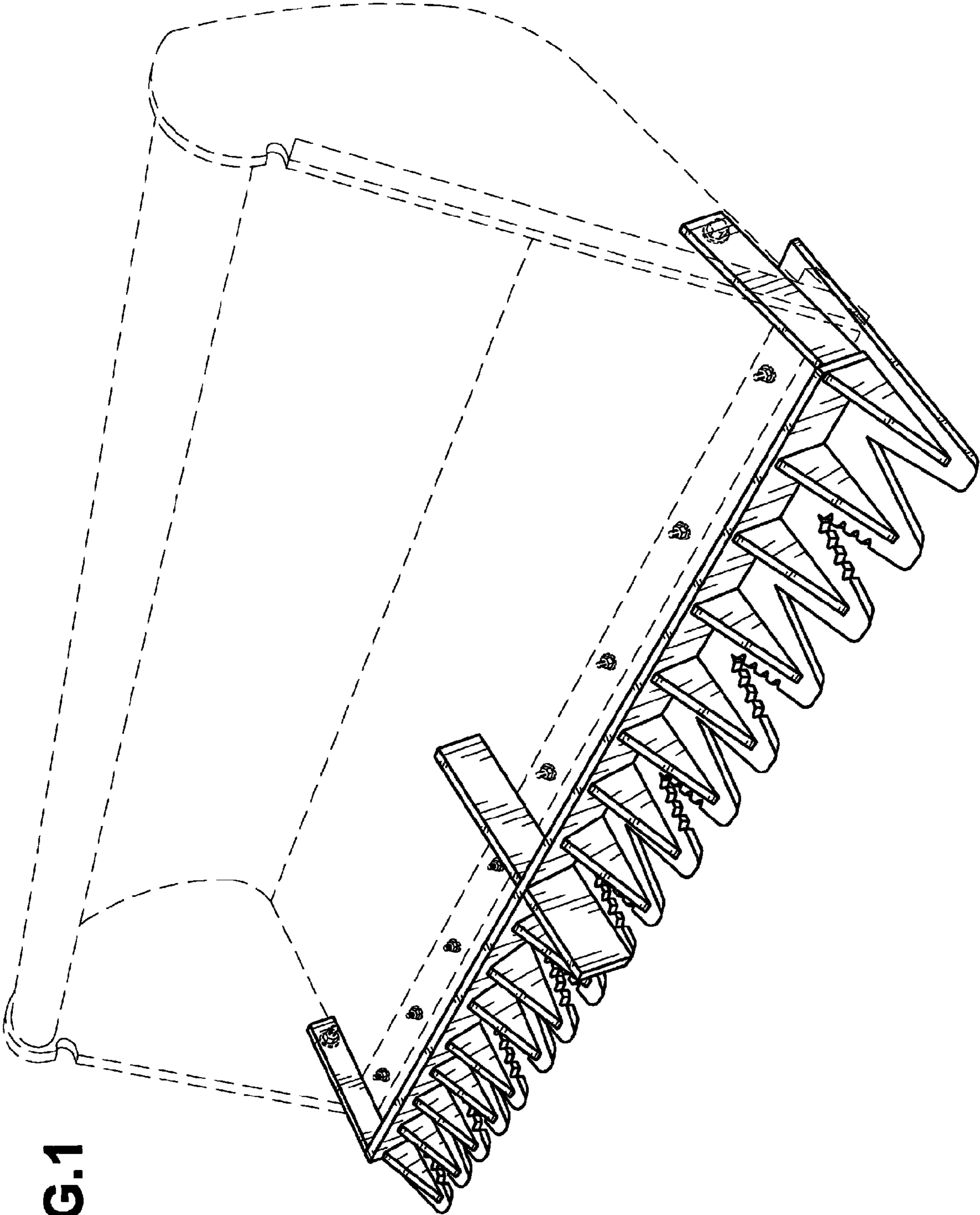


FIG.1

FIG.2

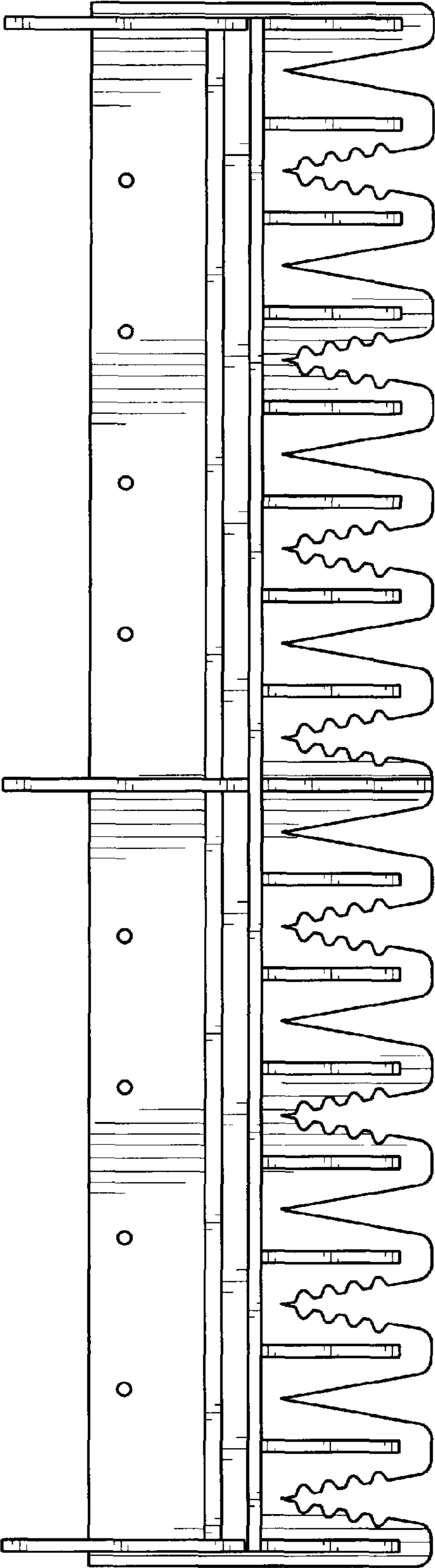


FIG.3

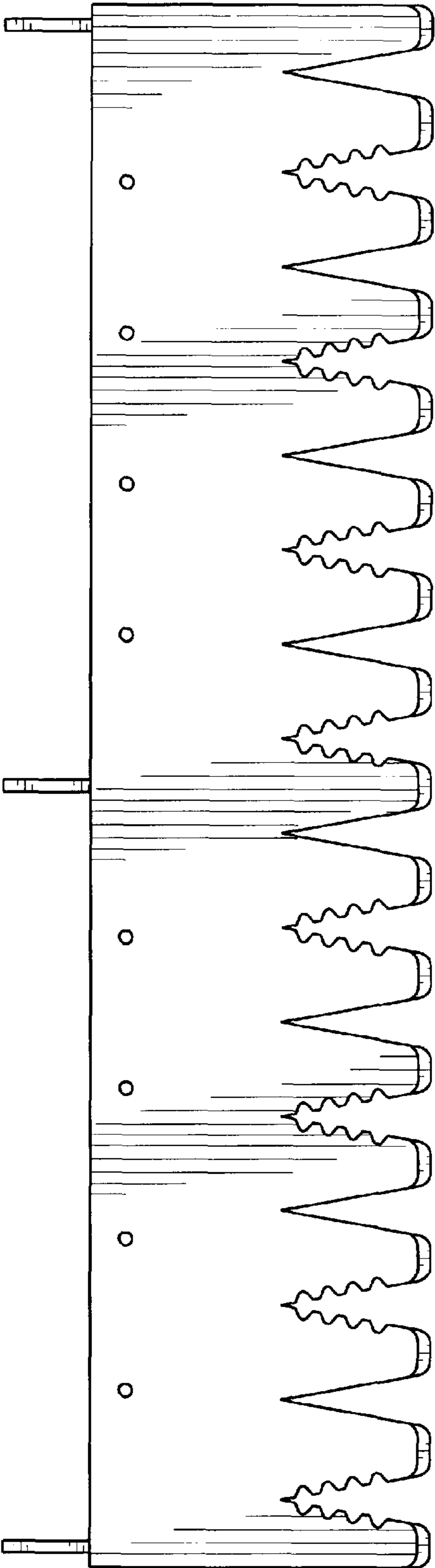


FIG.4

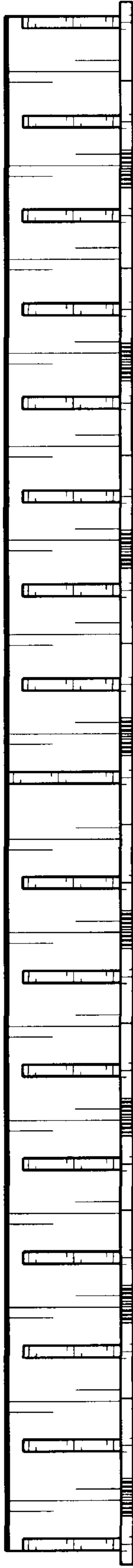


FIG.5

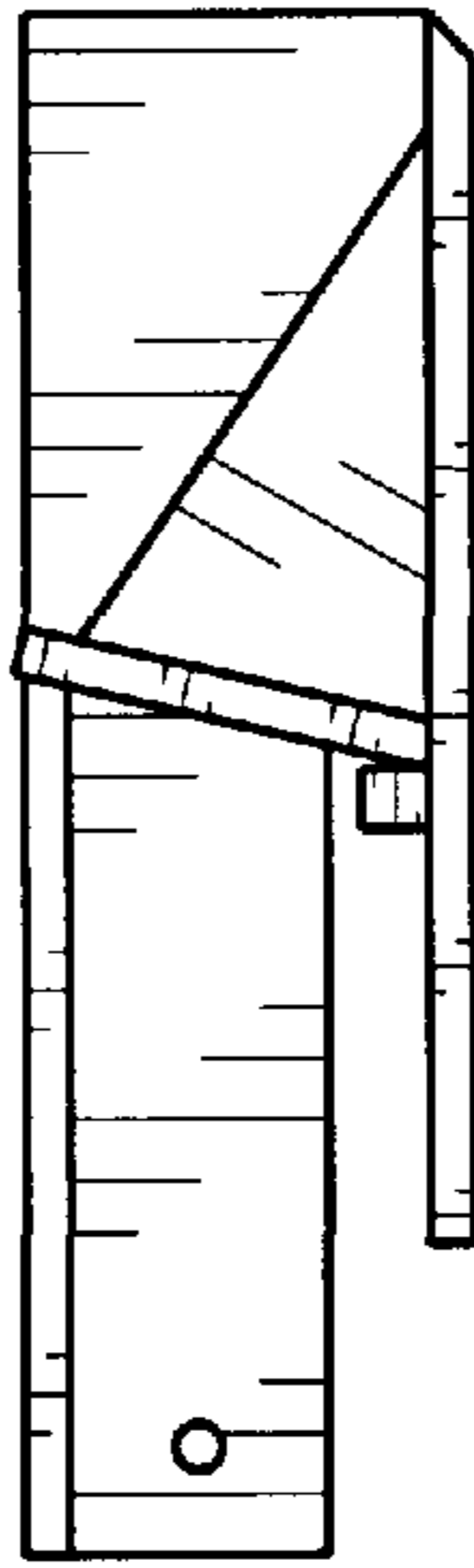


FIG.6

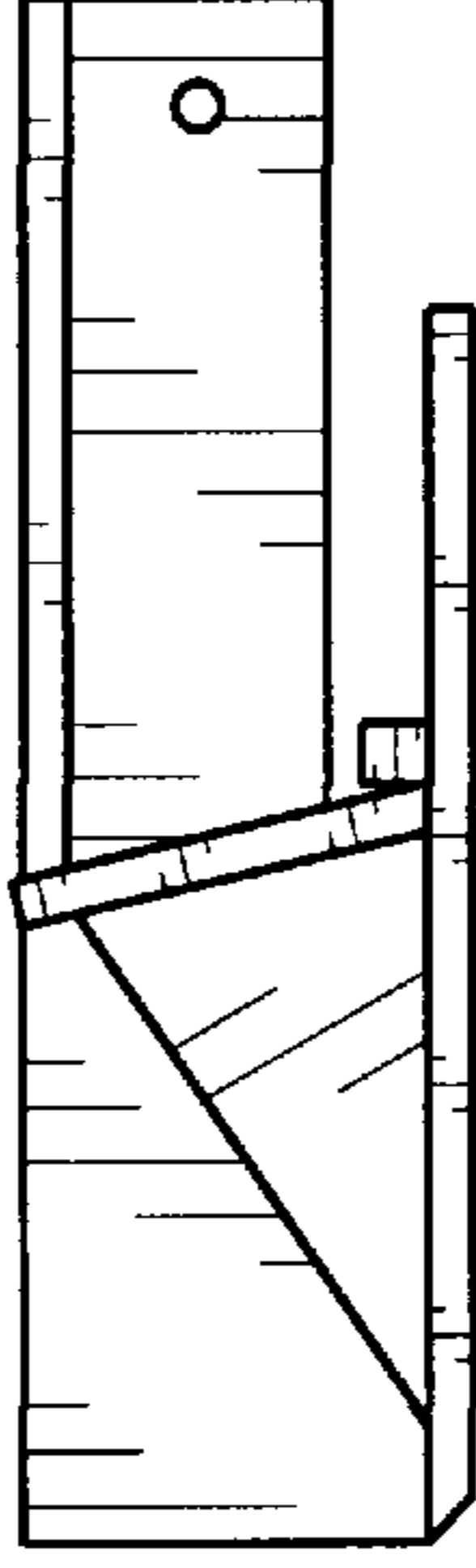


FIG.7

