



US00D623669S

(12) **United States Design Patent**
Kromminga et al.

(10) **Patent No.:** **US D623,669 S**

(45) **Date of Patent:** **** Sep. 14, 2010**

(54) **DISK RIPPER PRIMARY TILLAGE TOOL**

(75) Inventors: **Gaylen James Kromminga**, Morton, IL (US); **Timothy Richard Blunier**, Danvers, IL (US); **Michael C Hatton**, Washington, IL (US); **Scott Robert Faust**, Philo, IL (US)

(73) Assignee: **CNH America LLC**, New Holland, PA (US)

(**) Term: **14 Years**

(21) Appl. No.: **29/353,784**

(22) Filed: **Jan. 14, 2010**

(51) **LOC (9) Cl.** **15-03**

(52) **U.S. Cl.** **D15/27**

(58) **Field of Classification Search** D15/10, D15/11, 27, 28, 29, 33; 172/579, 311, 568, 172/612, 468, 637, 662, 684.5, 689, 551, 172/576, 595, 455, 518, 527, 567, 586, 142, 172/152, 154, 178, 181, 196, 440, 441, 314, 172/548, 454, 583, 140, 776, 22, 442, 145-147, 172/175, 669, 68

See application file for complete search history.

(56) **References Cited**

U.S. PATENT DOCUMENTS

D205,234 S * 7/1966 Dreyfuss et al. D15/27
3,297,097 A * 1/1967 Pryor 172/595
4,044,842 A * 8/1977 Worick 172/314
D267,320 S * 12/1982 Symonds D15/11

D306,598 S * 3/1990 Swartzendruber et al. D15/11
5,161,622 A * 11/1992 Godbersen 172/140
5,207,279 A * 5/1993 Nelson et al. 172/140
5,535,832 A * 7/1996 Benoit 172/195
5,881,820 A * 3/1999 Baker 172/455
6,557,646 B1 * 5/2003 Hurtis et al. 172/156
6,578,642 B2 * 6/2003 Cox et al. 172/624.5
6,679,339 B1 * 1/2004 Steinlage et al. 172/395
6,698,525 B2 * 3/2004 McFarlane 172/145
D615,562 S * 5/2010 Kelly et al. D15/27
2006/0166723 A1 * 7/2006 Farley et al. 460/112
2009/0133888 A1 * 5/2009 Kovach et al. 172/68

* cited by examiner

Primary Examiner—Mark A Goodwin

(74) *Attorney, Agent, or Firm*—Rebecca Henkel

(57) **CLAIM**

We claim the ornamental design for a disk ripper primary tillage tool, as shown and described.

DESCRIPTION

FIG. 1 is an upper right, perspective view of the rear of the disk ripper primary tillage tool showing our new design,

FIG. 2 is a top view thereof;

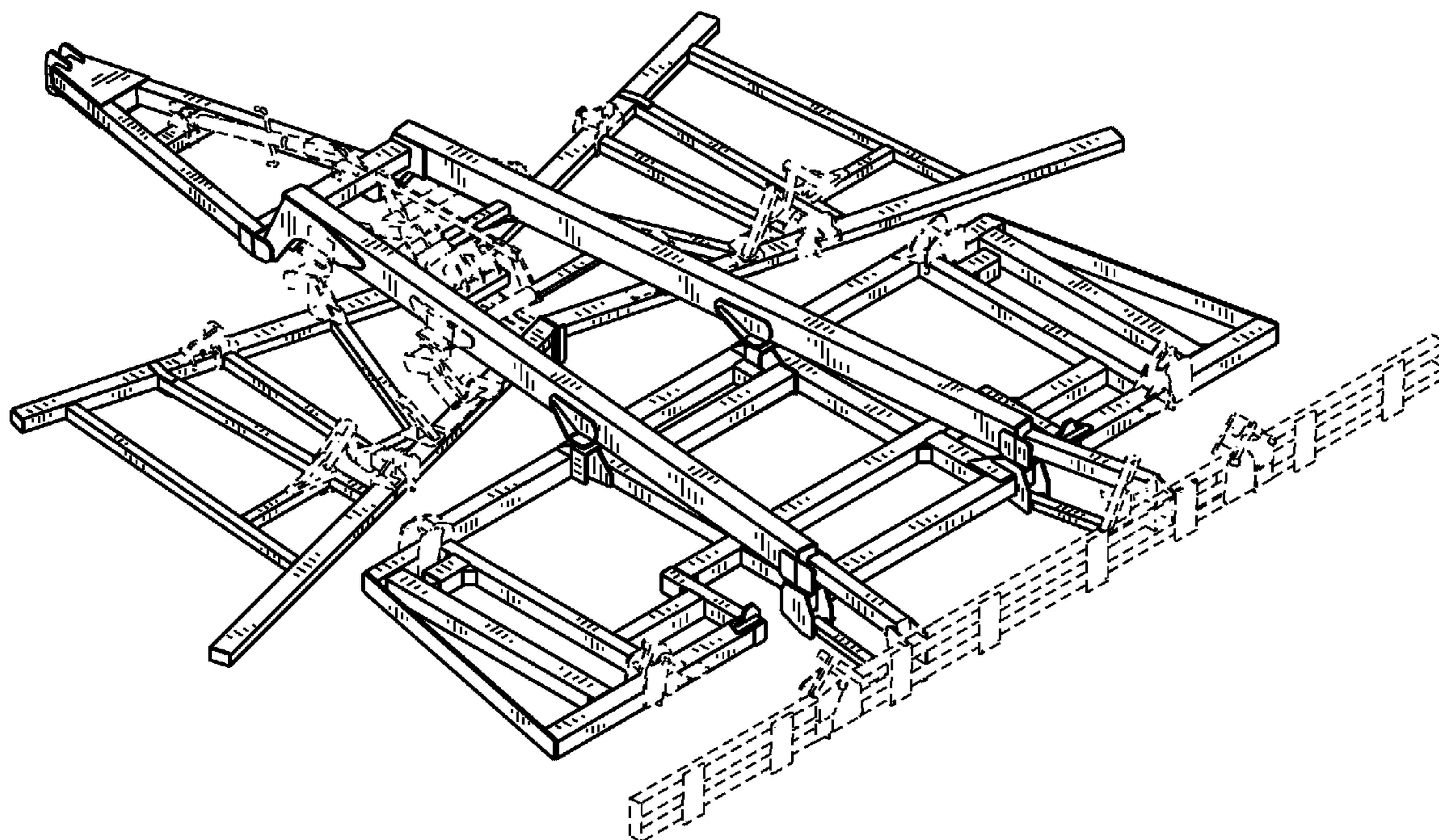
FIG. 3 is a right side thereof;

FIG. 4 is a front view thereof; and,

FIG. 5 is a rear view thereof.

The broken line showing in FIGS. 1-5 is included for the purpose of illustrating portions of the disk ripper primary tillage tool and forms no part of the claimed design.

1 Claim, 4 Drawing Sheets



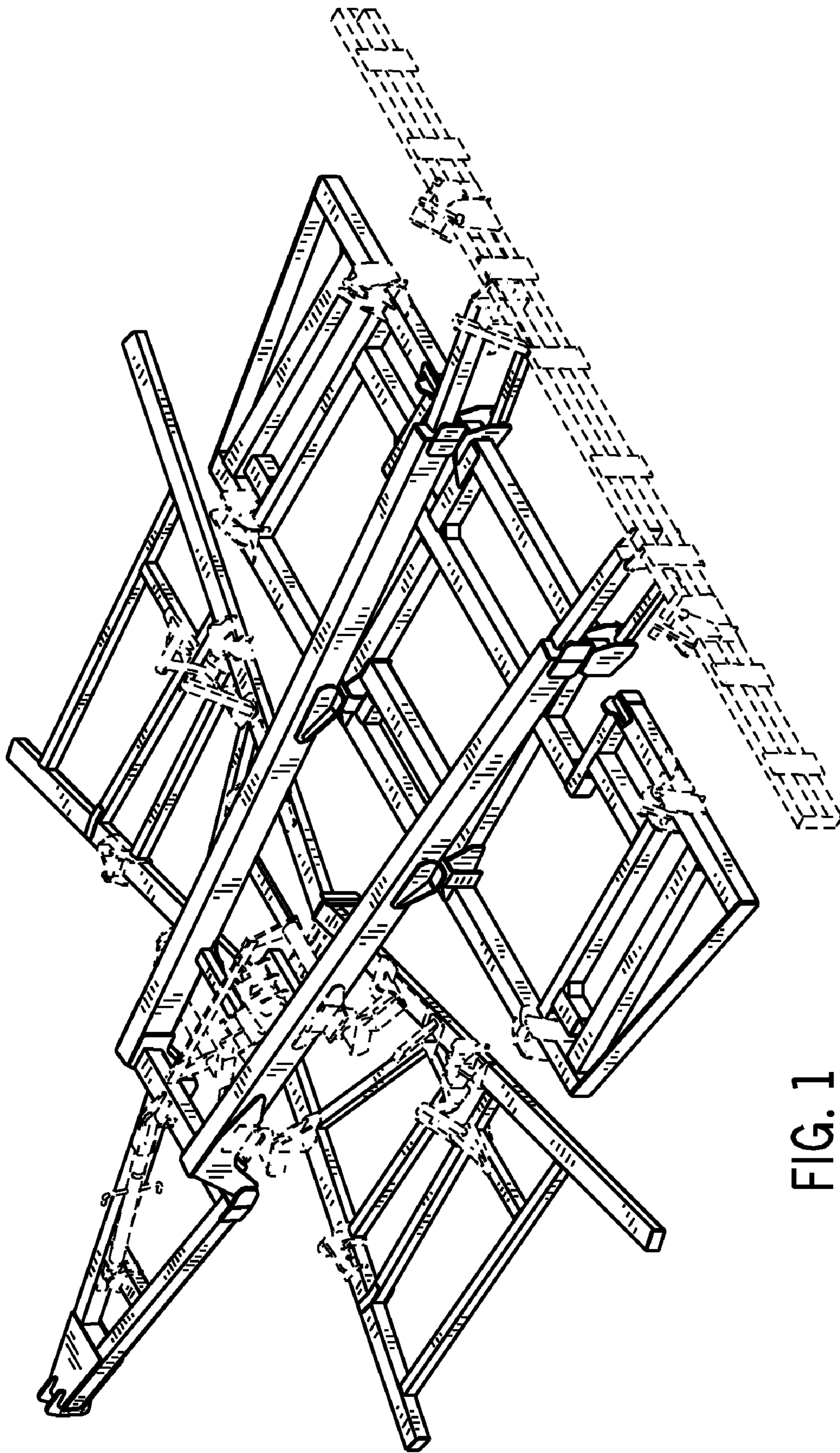


FIG. 1

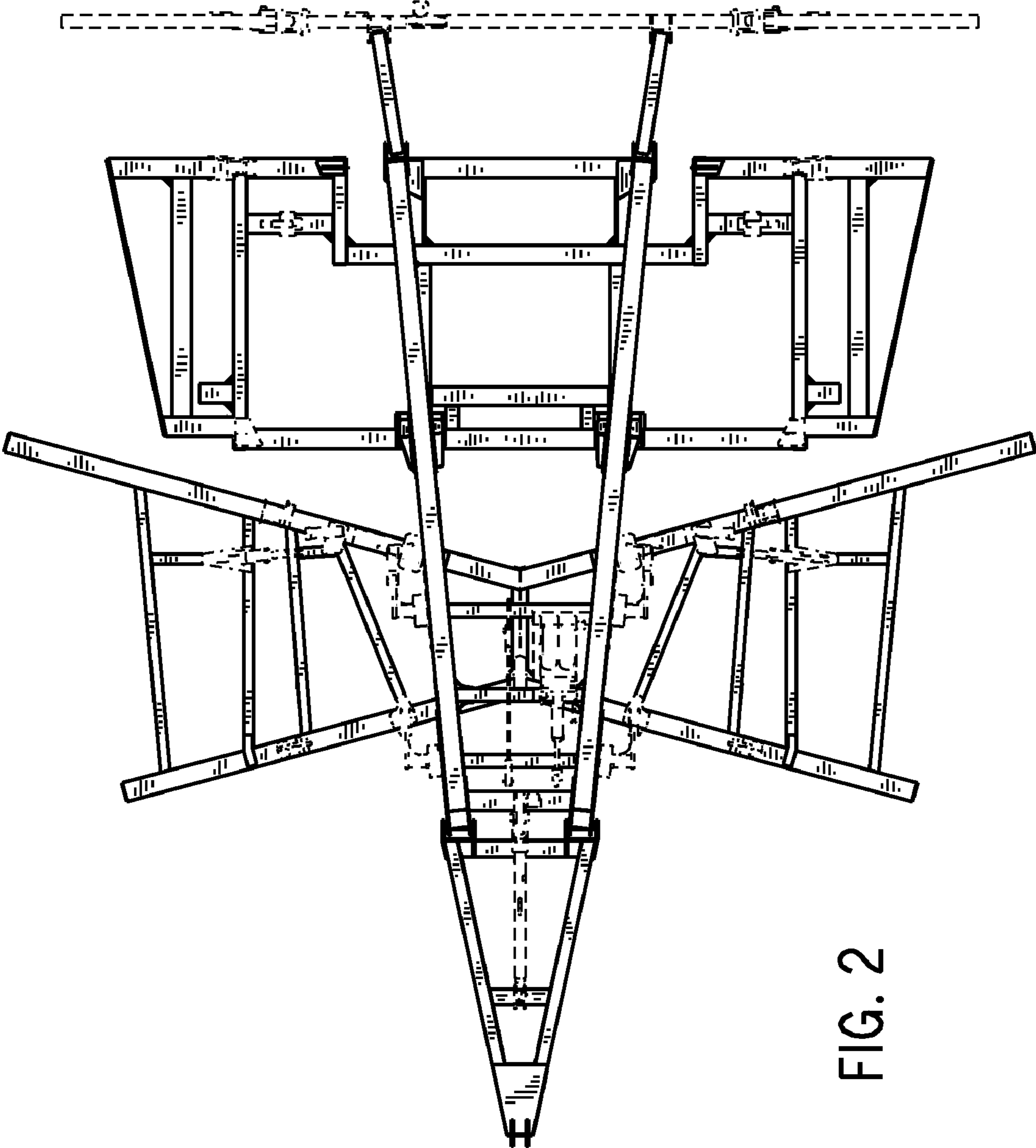


FIG. 2

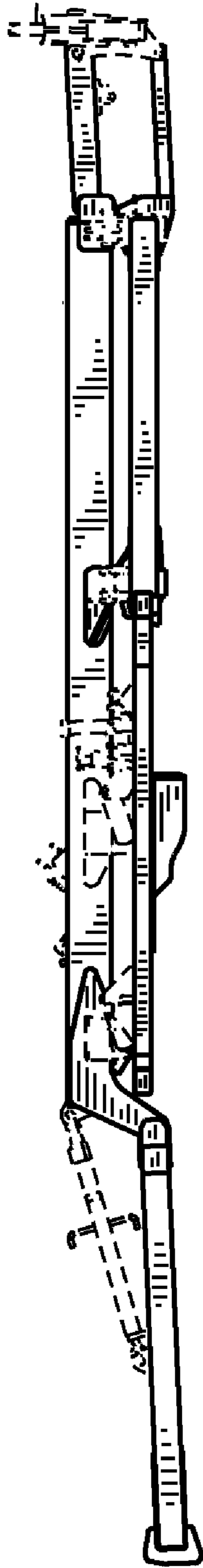


FIG. 3

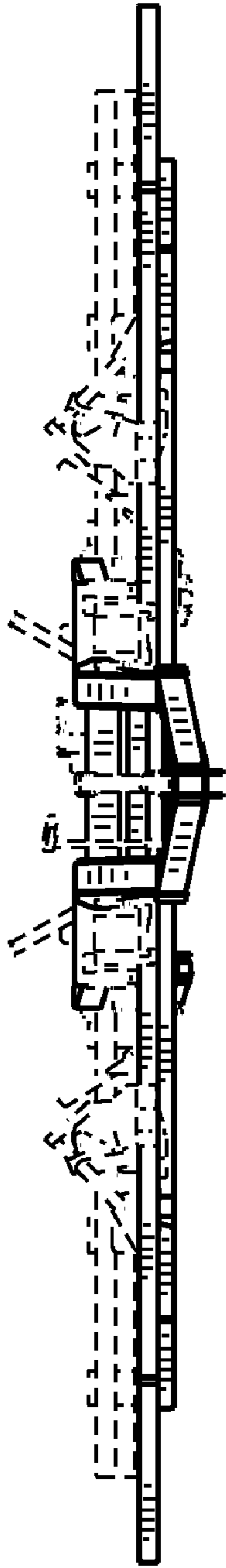


FIG. 4

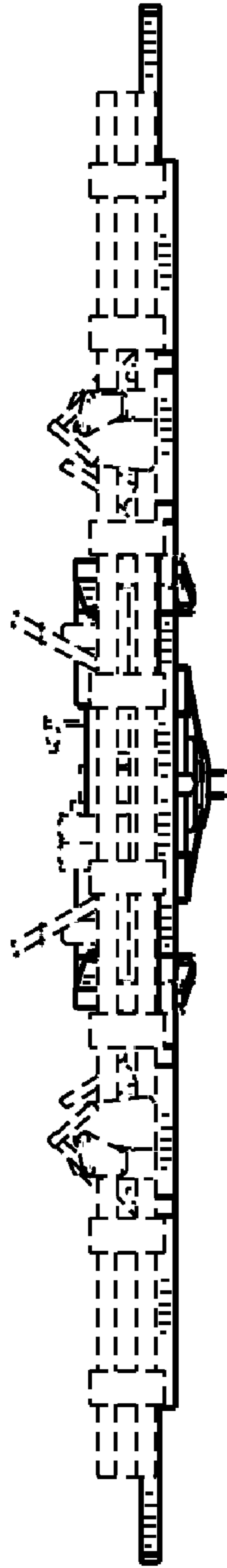


FIG. 5