

US00D623668S

(12) **United States Design Patent**
Bissell

(10) **Patent No.:** **US D623,668 S**

(45) **Date of Patent:** **** Sep. 14, 2010**

(54) **GRADER BLADE ATTACHMENT FOR BACK
HOE**

(76) **Inventor:** **Sheldon Bissell**, P.O. Box 135, Mountain
Ranch, CA (US) 95246

(**) **Term:** **14 Years**

(21) **Appl. No.:** **29/348,666**

(22) **Filed:** **Jan. 26, 2010**

(51) **LOC (9) Cl.** **15-03**

(52) **U.S. Cl.** **D15/27; D15/32**

(58) **Field of Classification Search** D15/10-12,
D15/22-26, 27, 28, 32; 37/234, 407, 435,
37/441, 442; 172/789, 786, 701, 642, 686,
172/694, 767

See application file for complete search history.

(56) **References Cited**

U.S. PATENT DOCUMENTS

2,774,155	A *	12/1956	Hipp	172/145
3,234,669	A *	2/1966	Kachnik et al.	172/445.2
D216,874	S *	3/1970	Cline	D15/32
D219,809	S *	2/1971	Coontz	D15/32
3,858,662	A *	1/1975	Reid	172/297
3,881,563	A *	5/1975	Hammersmith	180/14.1
D248,302	S *	6/1978	Zoller	D15/32
4,463,507	A *	8/1984	Gaub	37/404
5,411,102	A *	5/1995	Nickels et al.	172/781
5,427,185	A *	6/1995	Seal	172/684.5

5,529,131	A *	6/1996	Van Ornum	172/789
D395,436	S *	6/1998	Hagenbuch	D15/32
5,775,438	A *	7/1998	Confoey et al.	172/831
D460,463	S *	7/2002	Kubo et al.	D15/26

* cited by examiner

Primary Examiner—Mark A Goodwin

(74) *Attorney, Agent, or Firm*—Heisler & Associates

(57) **CLAIM**

The ornamental design for a grader blade attachment for back hoe, as shown and described.

DESCRIPTION

FIG. 1 is a perspective view of a grader blade attachment for back hoe showing my new design in use condition.

FIG. 2 is a front elevation view of the invention.

FIG. 3 is a rear elevation view of the invention.

FIG. 4 is a top plan view of the invention.

FIG. 5 is a left side view of the invention.

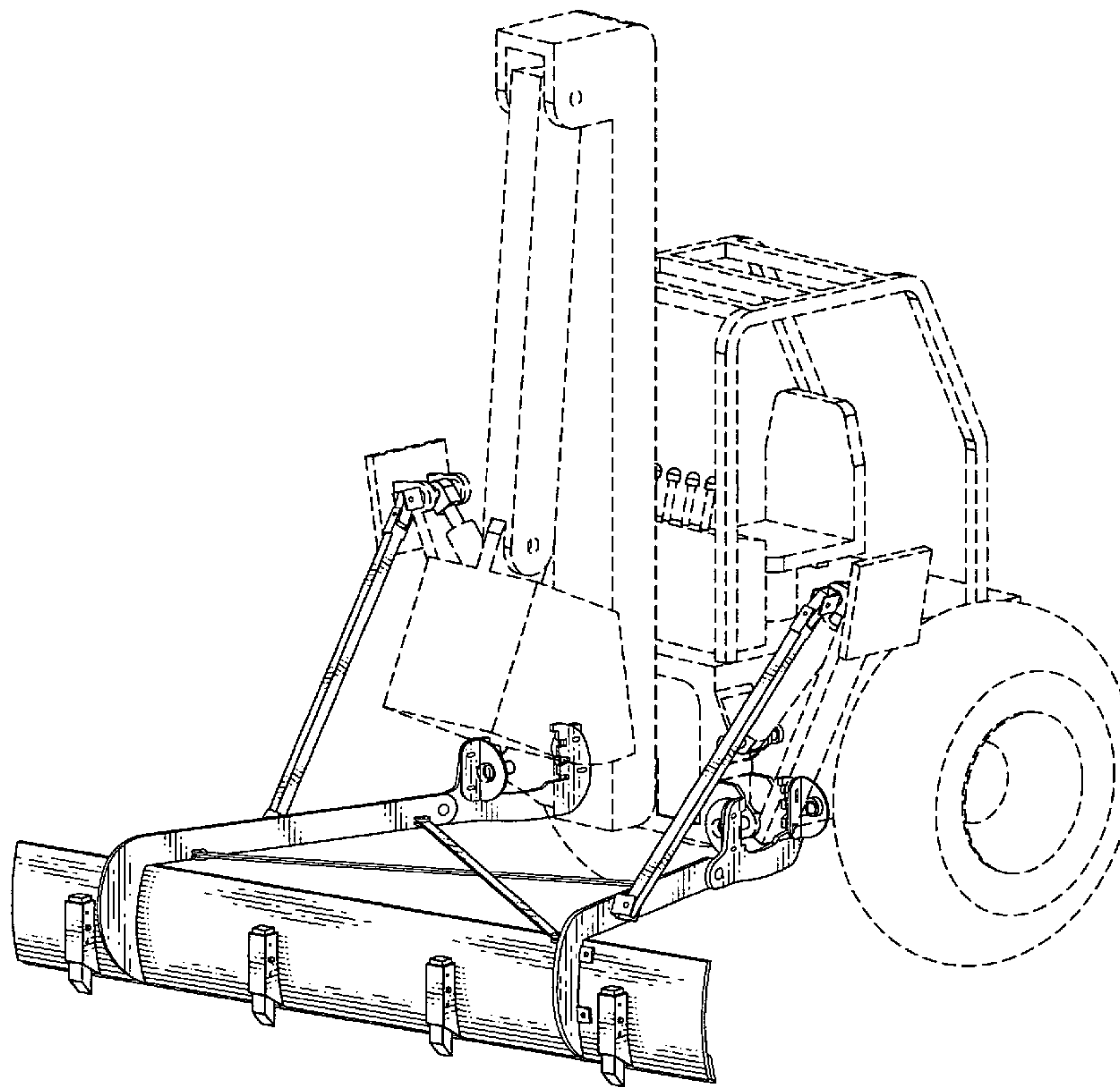
FIG. 6 is a bottom plan view of the invention.

FIG. 7 is a right side view of the invention; and,

FIG. 8 is a rear elevation view similar to FIG. 3, but with the grader blade attachment elevated to a higher position than that shown in FIG. 3.

The broken lines in FIGS. 1, 3, 5 and 8 are for purposes of illustration only and form no part of the claimed design.

1 Claim, 4 Drawing Sheets



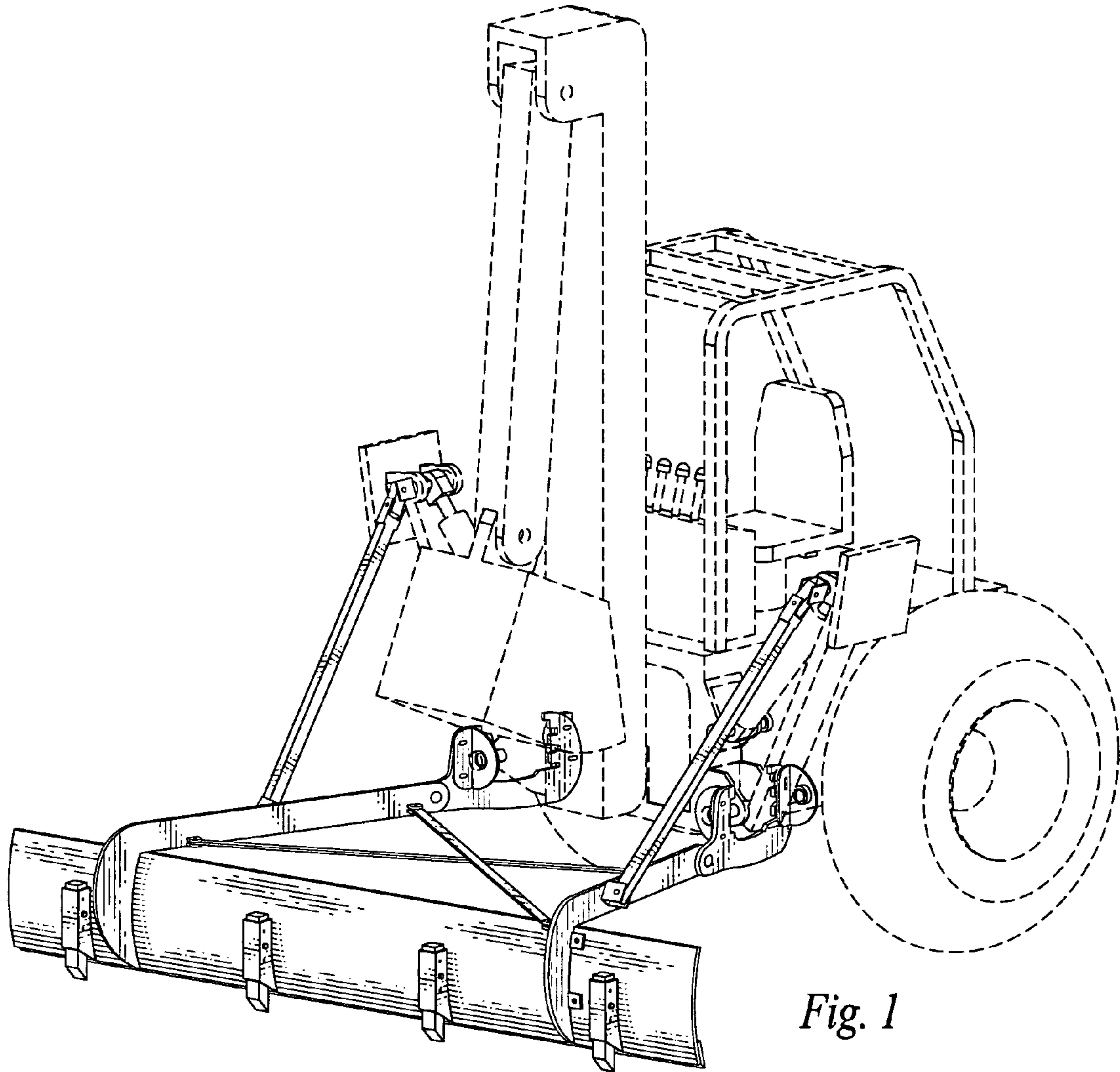


Fig. 1

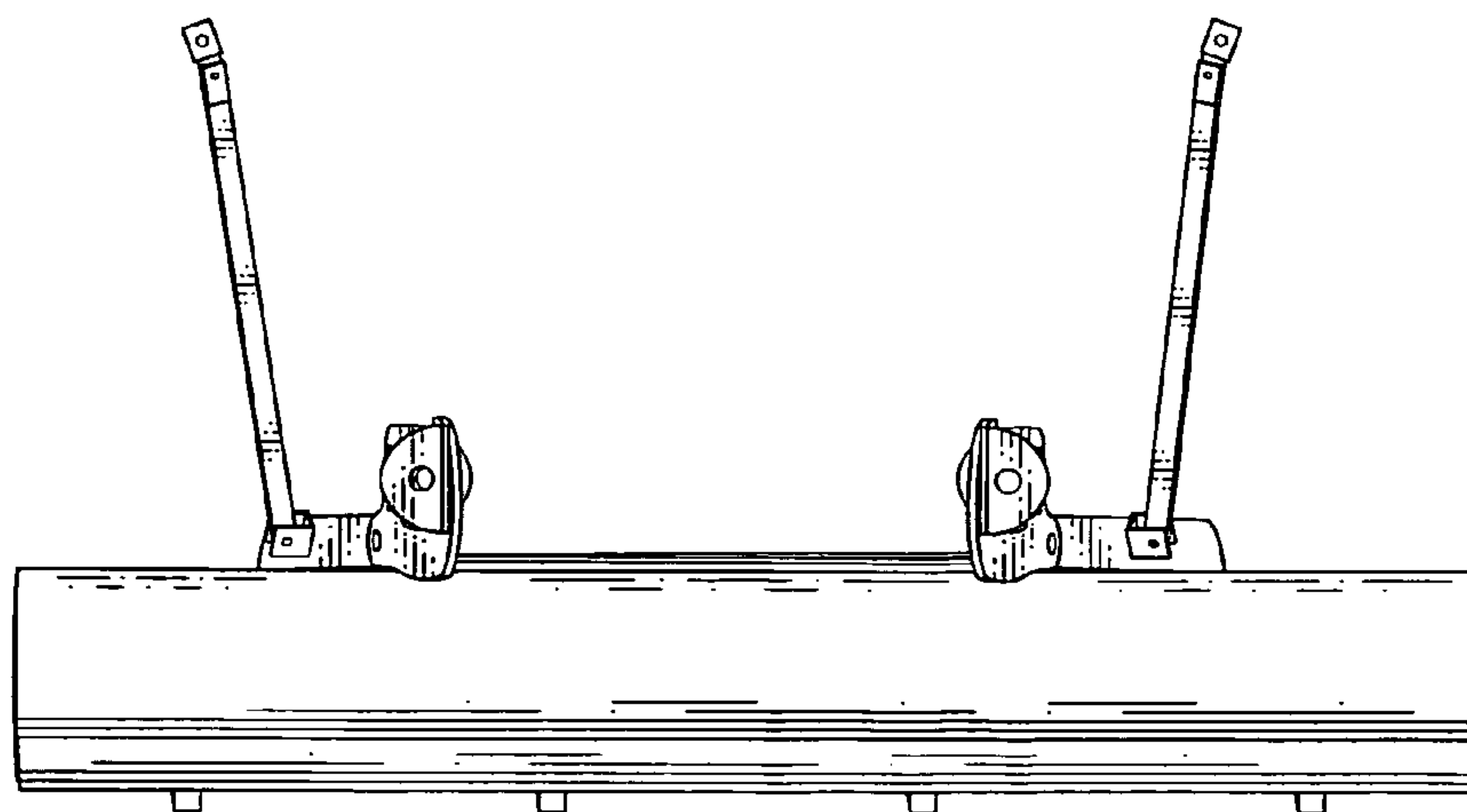


Fig. 2

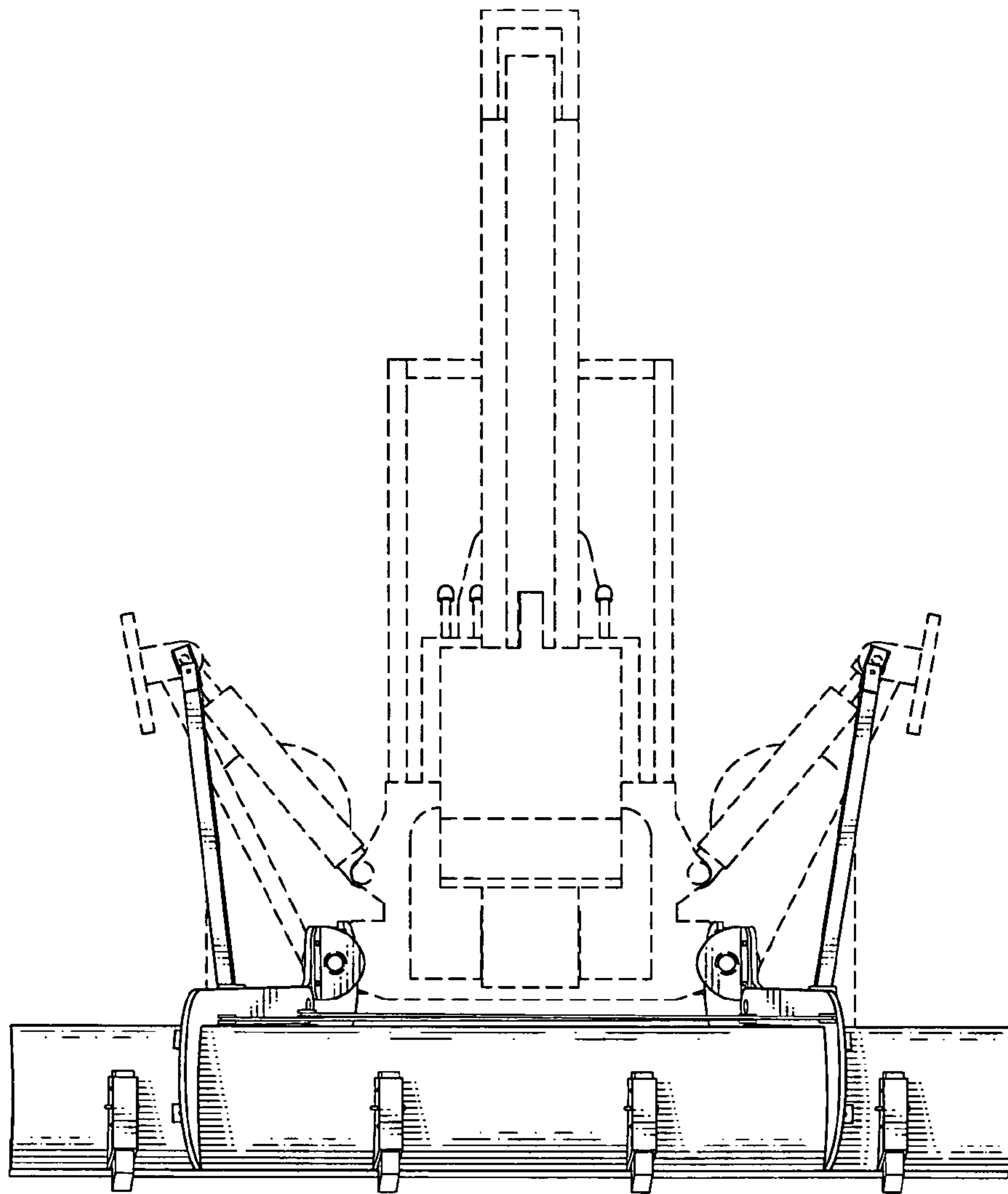


Fig. 3

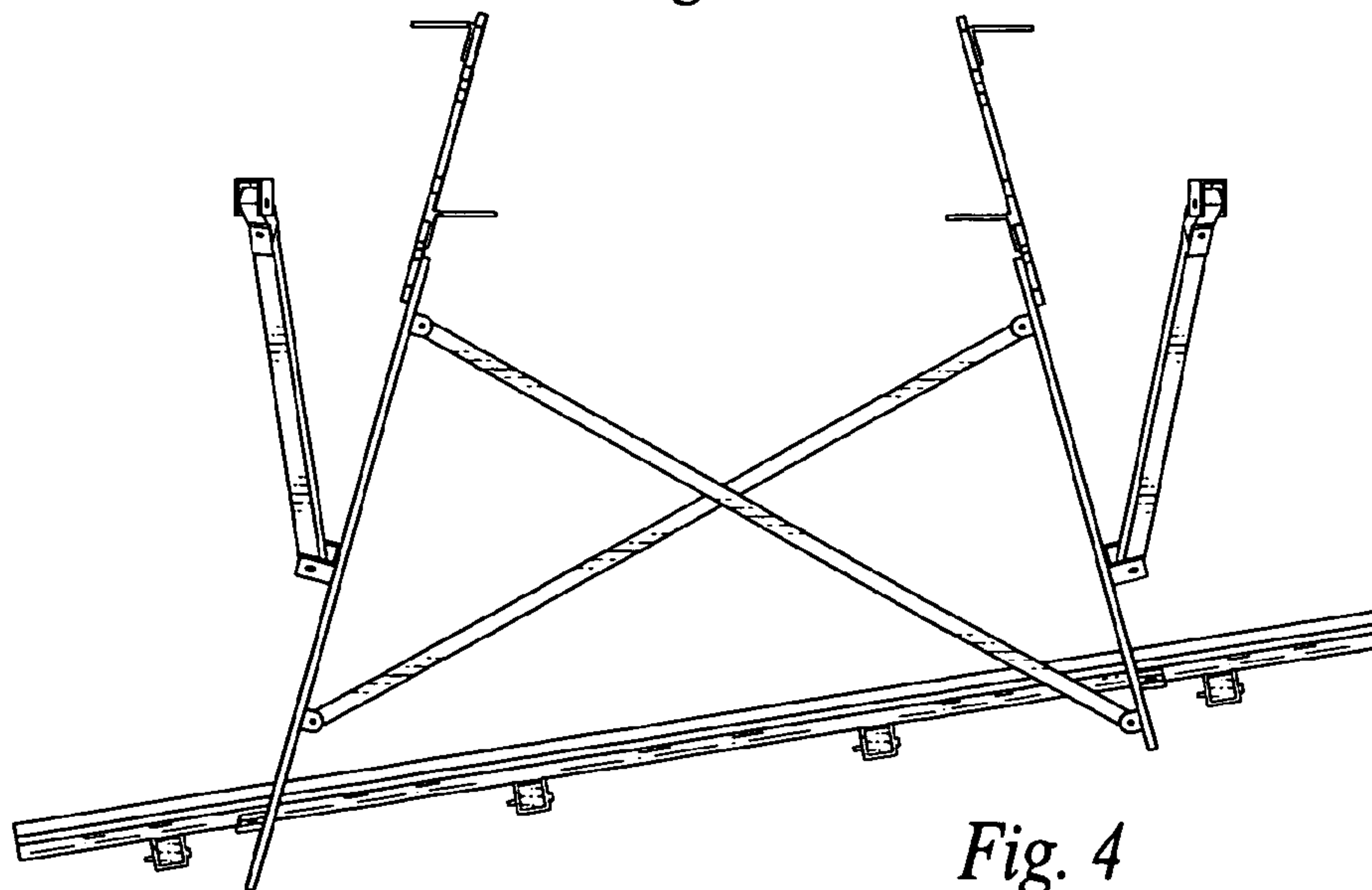


Fig. 4

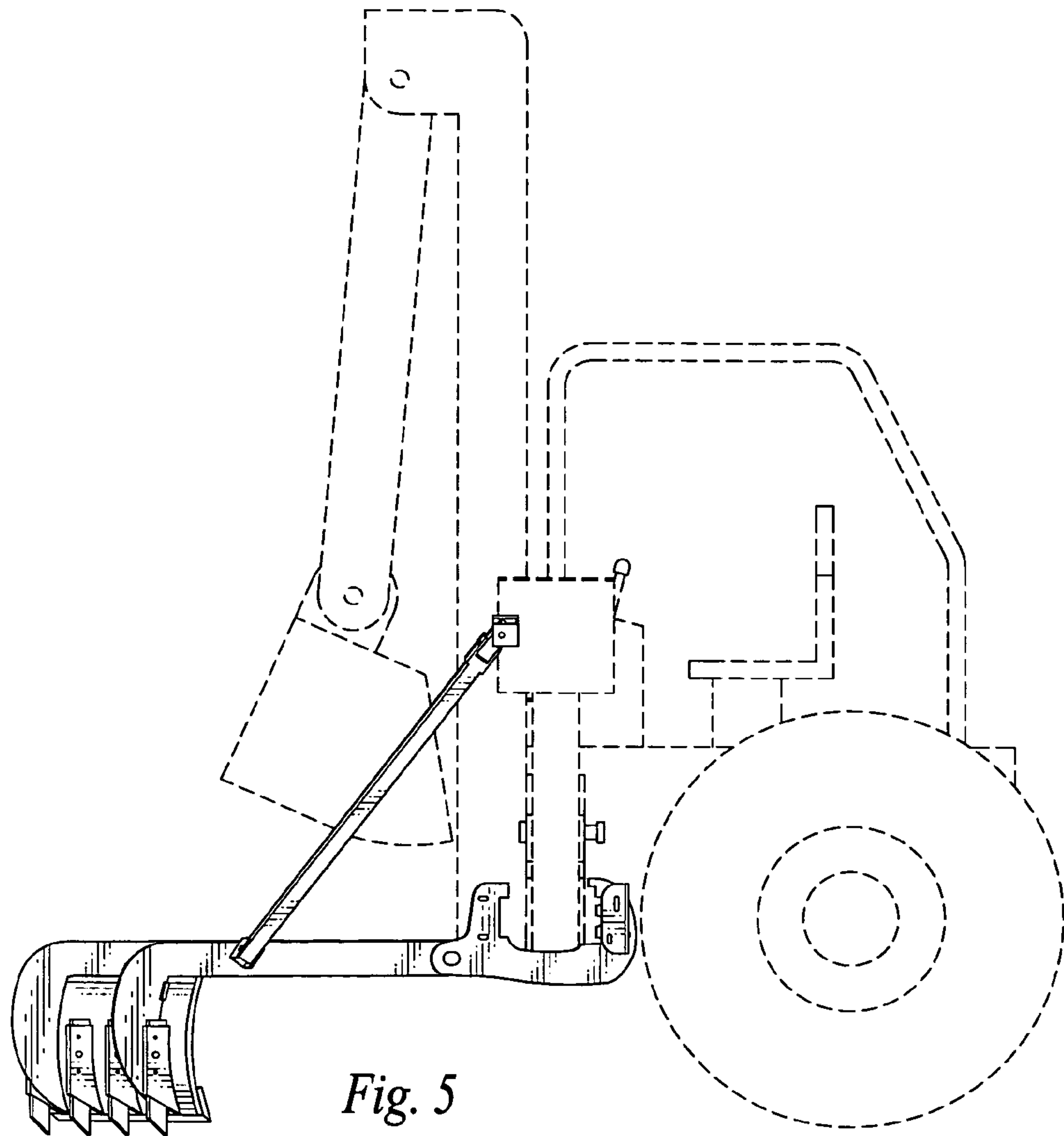


Fig. 5

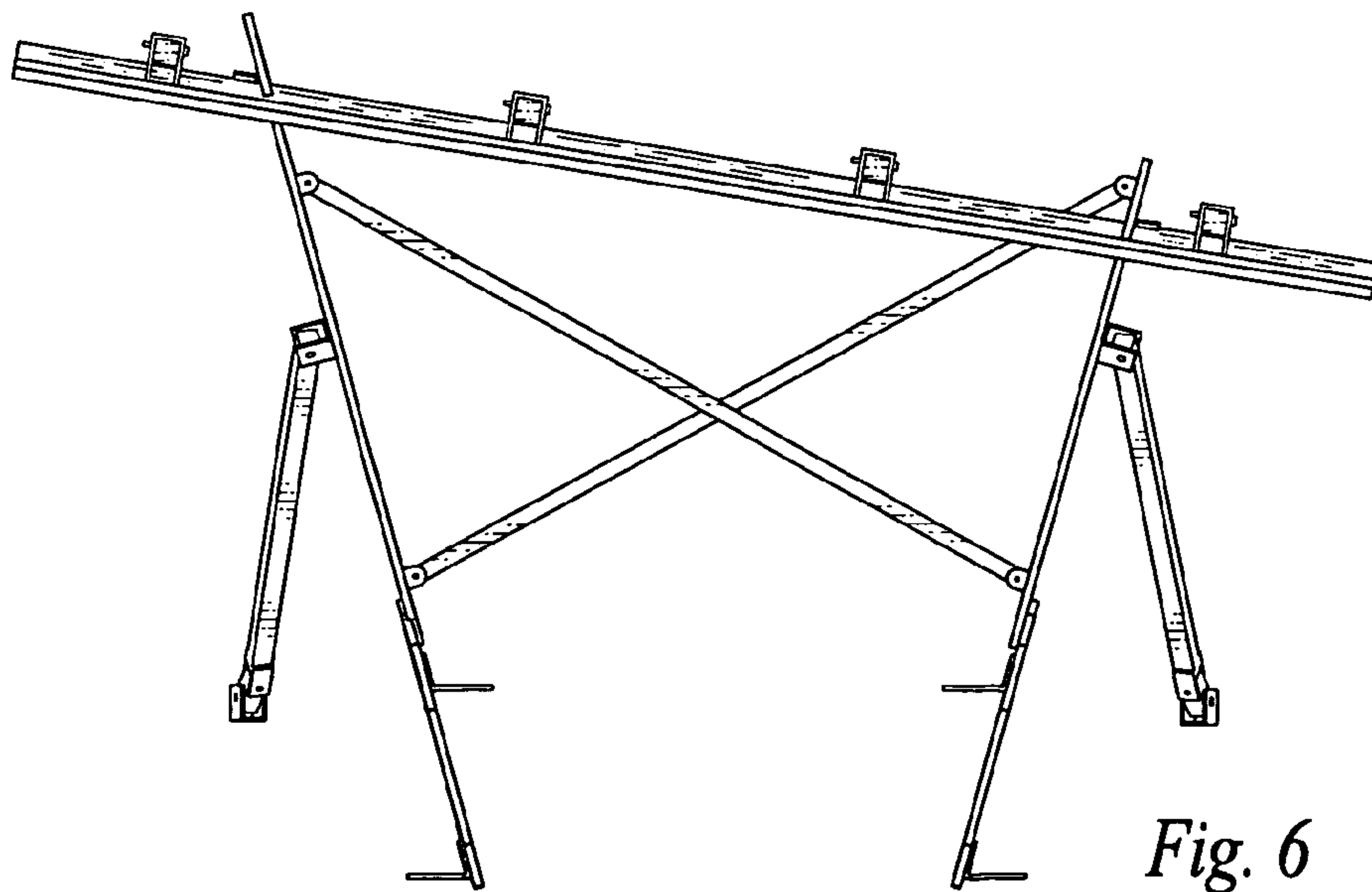


Fig. 6

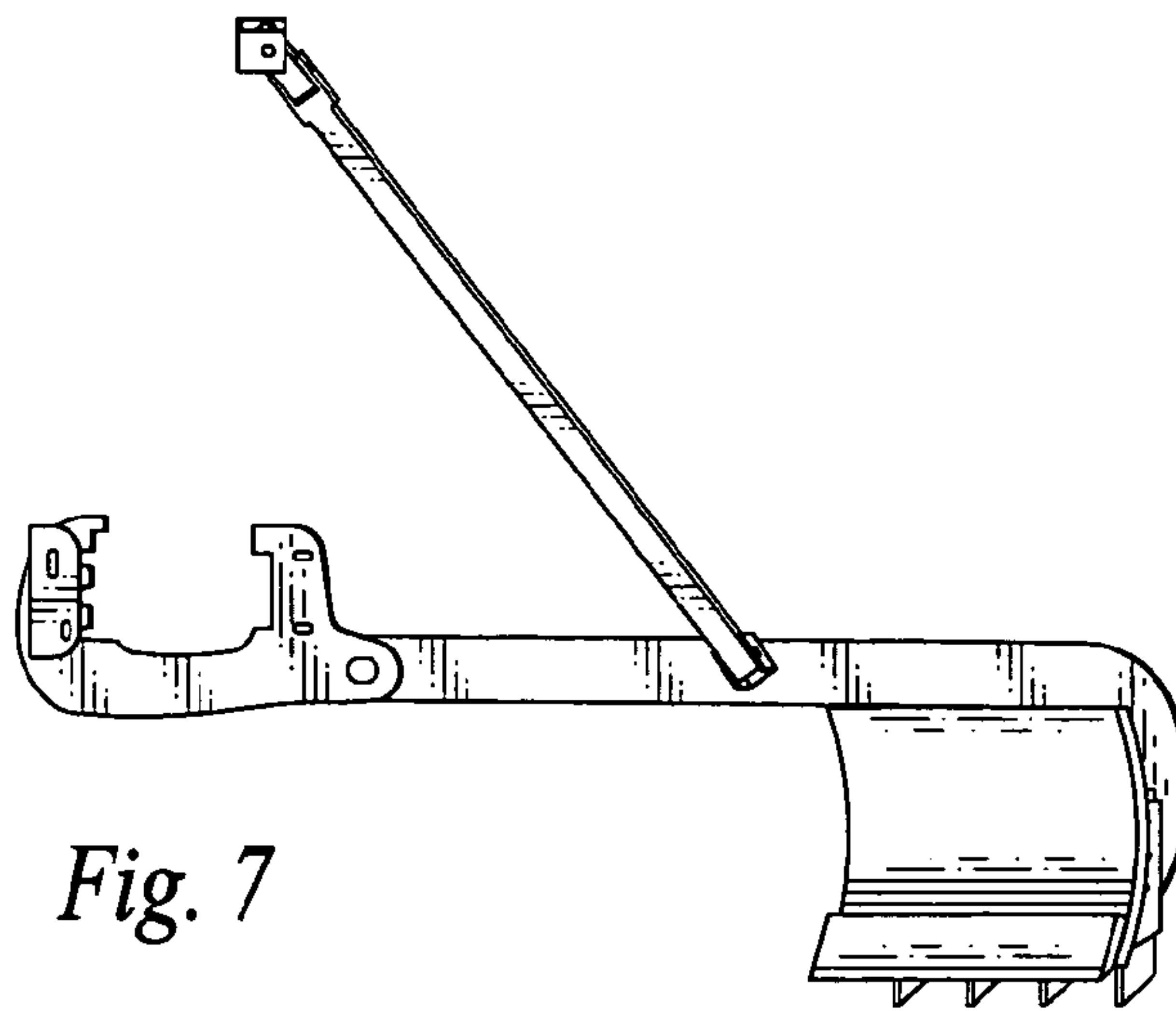


Fig. 7

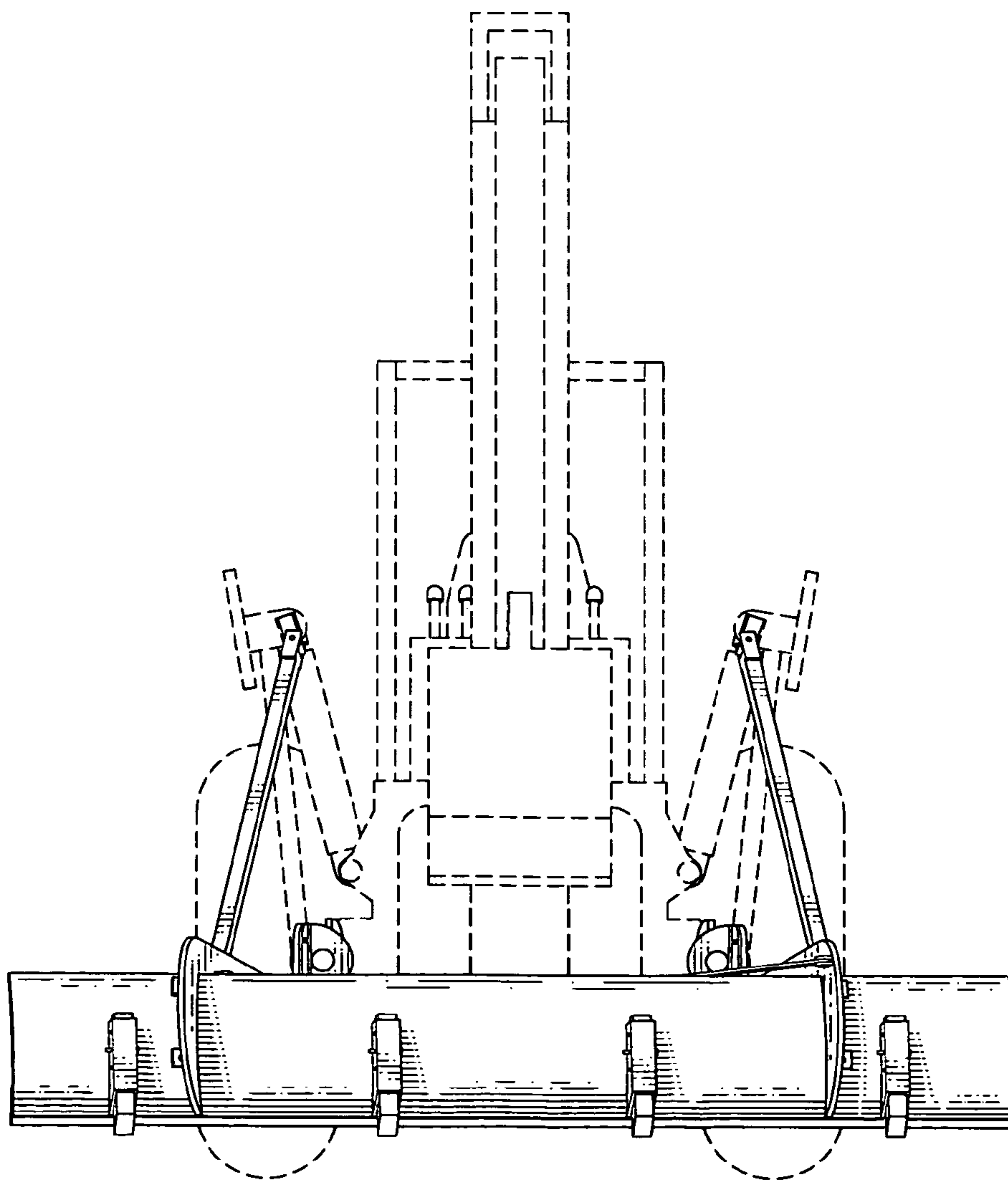


Fig. 8