



US00D623667S

(12) **United States Design Patent**  
**Cichy et al.**

(10) **Patent No.:** **US D623,667 S**  
(45) **Date of Patent:** **\*\* Sep. 14, 2010**

(54) **LOWER BODY PORTION FOR A COMBINED SPREADER AND PRODUCT CARTRIDGE**

(75) Inventors: **Stephen J. Cichy**, Marysville, OH (US); **Brad Schultz**, Powell, OH (US); **Mark A. Ochs**, Urbana, OH (US); **Jeffrey Kalman**, Cleveland Heights, OH (US); **Craig Saunders**, Rocky River, OH (US); **John Evan Spirk**, Gates Mills, OH (US); **June O. Toscano**, Westerville, OH (US)

(73) Assignee: **SMG Brands, Inc.**, Willmington, DE (US)

(\*\*) Term: **14 Years**

(21) Appl. No.: **29/357,039**

(22) Filed: **Mar. 5, 2010**

**Related U.S. Application Data**

(62) Division of application No. 29/328,299, filed on Nov. 21, 2008.

(51) **LOC (9) Cl.** ..... **15-03**

(52) **U.S. Cl.** ..... **D15/13**

(58) **Field of Classification Search** ..... D15/10-14; 239/650, 651, 666, 668, 664, 679, 681-689, 239/302, 327, 328; 222/624, 486

See application file for complete search history.

(56) **References Cited**

**U.S. PATENT DOCUMENTS**

3,179,298	A *	4/1965	Collins	.....	222/619
3,239,107	A *	3/1966	West et al.	.....	222/624
3,310,314	A *	3/1967	Bylsma et al.	.....	239/683
3,856,211	A *	12/1974	Williams	.....	239/685
4,032,074	A *	6/1977	Amerine	.....	239/685
D284,666	S *	7/1986	Amerine	.....	D15/13
D338,893	S *	8/1993	Simpson	.....	D15/13
D338,894	S *	8/1993	Simpson	.....	D15/13
D359,963	S *	7/1995	Pink et al.	.....	D15/17

D371,780	S *	7/1996	Havlovitz	.....	D15/13
5,570,814	A *	11/1996	Havlovitz	.....	222/45
5,617,974	A *	4/1997	Sawyer, Jr.	.....	222/107
5,638,988	A *	6/1997	Rogers et al.	.....	222/81
D384,679	S *	10/1997	Havlovitz et al.	.....	D15/13
5,842,648	A *	12/1998	Havlovitz et al.	.....	239/650
D413,903	S *	9/1999	Spear	.....	D15/13
D413,904	S *	9/1999	Spear	.....	D15/13
D414,783	S *	10/1999	Spear	.....	D15/13
6,499,679	B1 *	12/2002	Woodruff et al.	.....	239/687
6,588,685	B2 *	7/2003	Woodruff et al.	.....	239/650
6,616,074	B2 *	9/2003	Courtney et al.	.....	239/666
6,851,634	B2 *	2/2005	Woodruff et al.	.....	239/650
D602,045	S *	10/2009	Choi et al.	.....	D15/13
D602,046	S *	10/2009	Choi et al.	.....	D15/13
D610,590	S *	2/2010	Choi et al.	.....	D15/13
D610,591	S *	2/2010	Choi et al.	.....	D15/13

\* cited by examiner

*Primary Examiner*—Mark A Goodwin

(74) *Attorney, Agent, or Firm*—Hunton & Williams LLP

(57) **CLAIM**

We claim the ornamental design for a lower body portion of a combined spreader and product cartridge, as shown and described.

**DESCRIPTION**

FIG. 1 is a perspective view of a lower body portion of a spreader body showing our new design.

FIG. 2 is a front elevation view thereof.

FIG. 3 is a rear elevation view thereof.

FIG. 4 is a side elevation view of thereof.

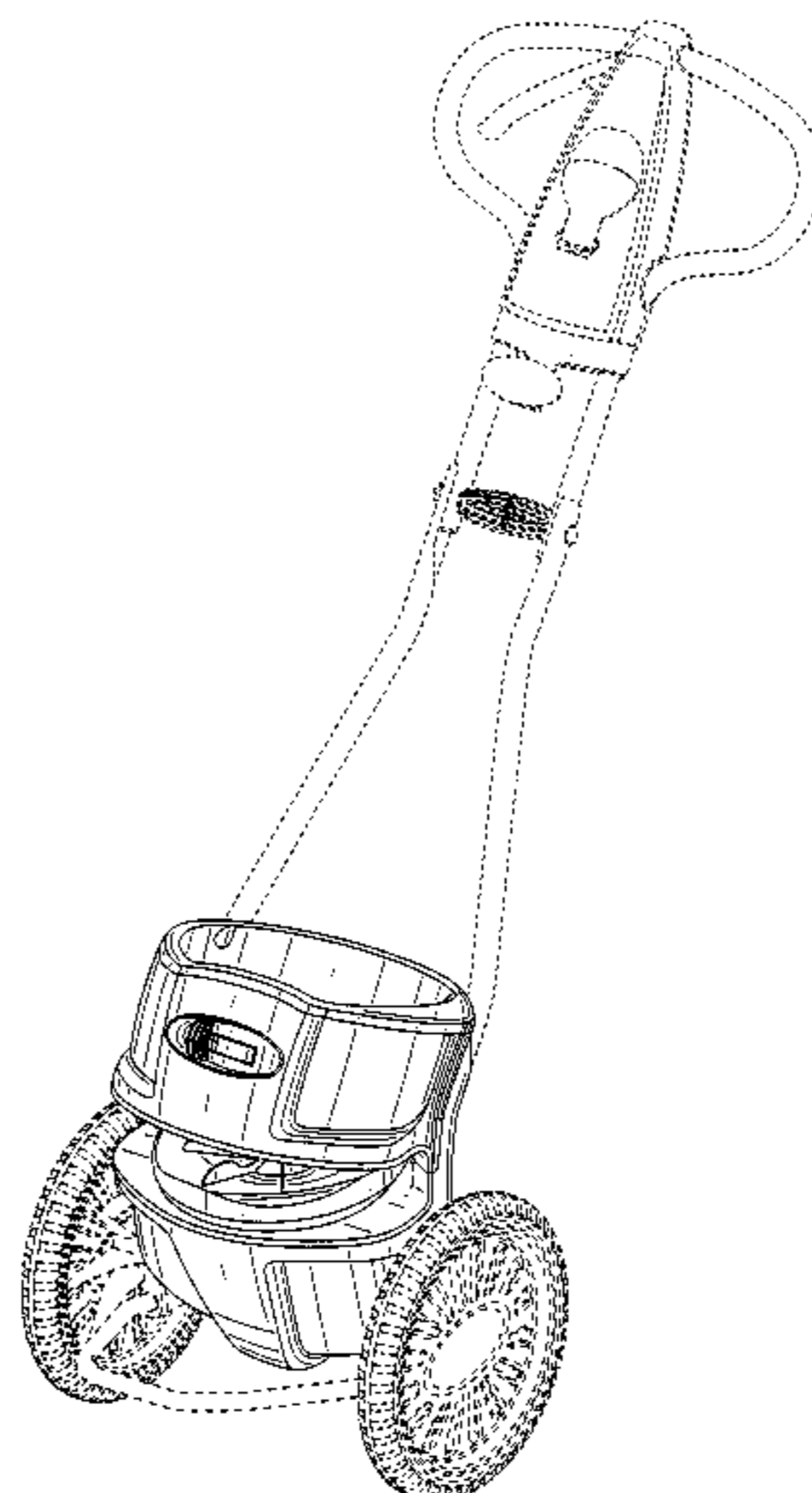
FIG. 5 is an opposite side elevation view thereof.

FIG. 6 is a top plan view of thereof; and,

FIG. 7 is a bottom plan view thereof.

The broken line showing of a spreader frame is included for the purpose of illustrating environmental structure on the article and forms no part of the claimed design.

**1 Claim, 7 Drawing Sheets**



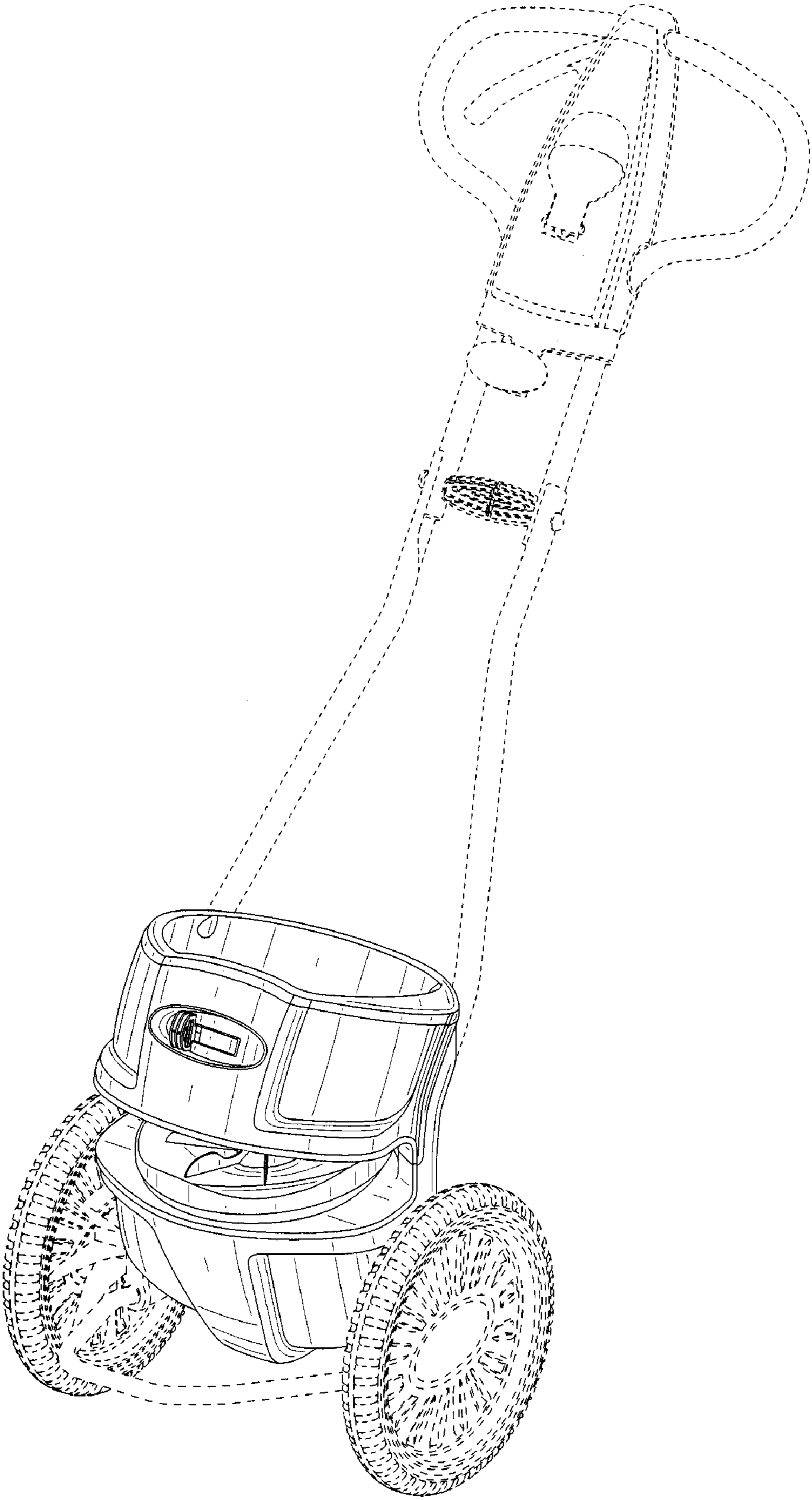


FIG. 1

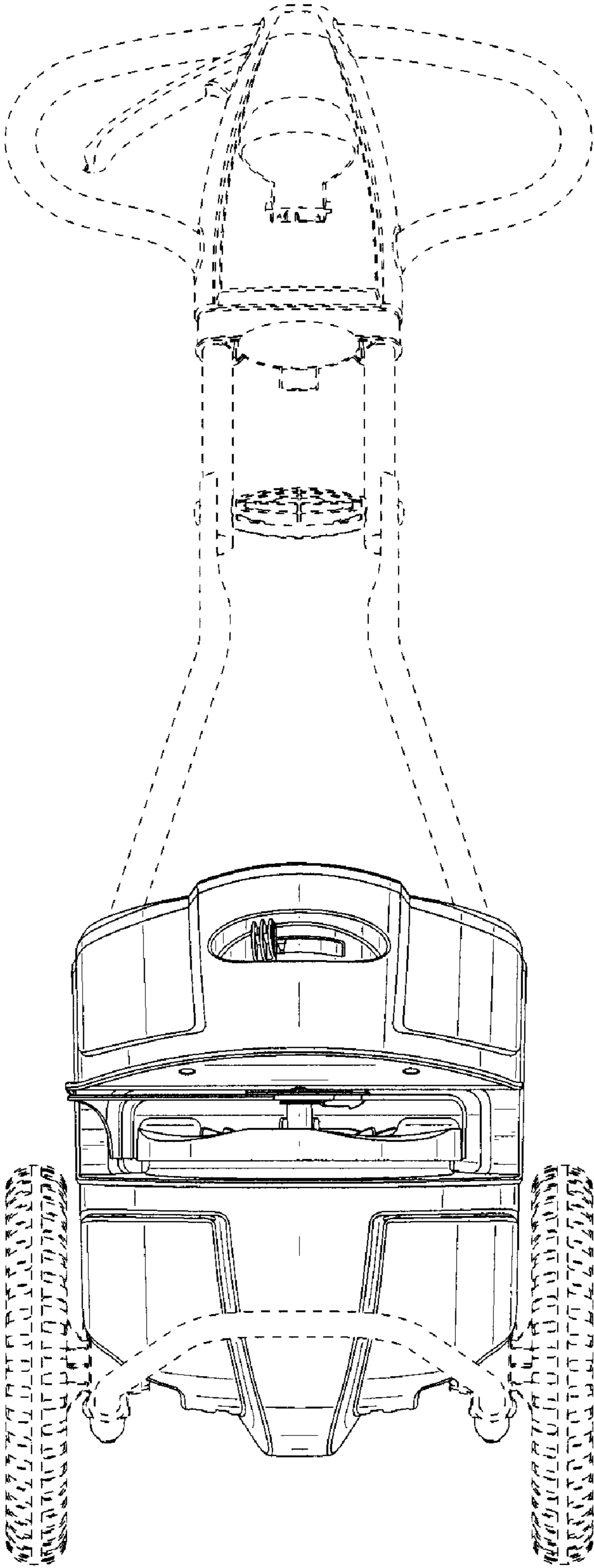


FIG. 2

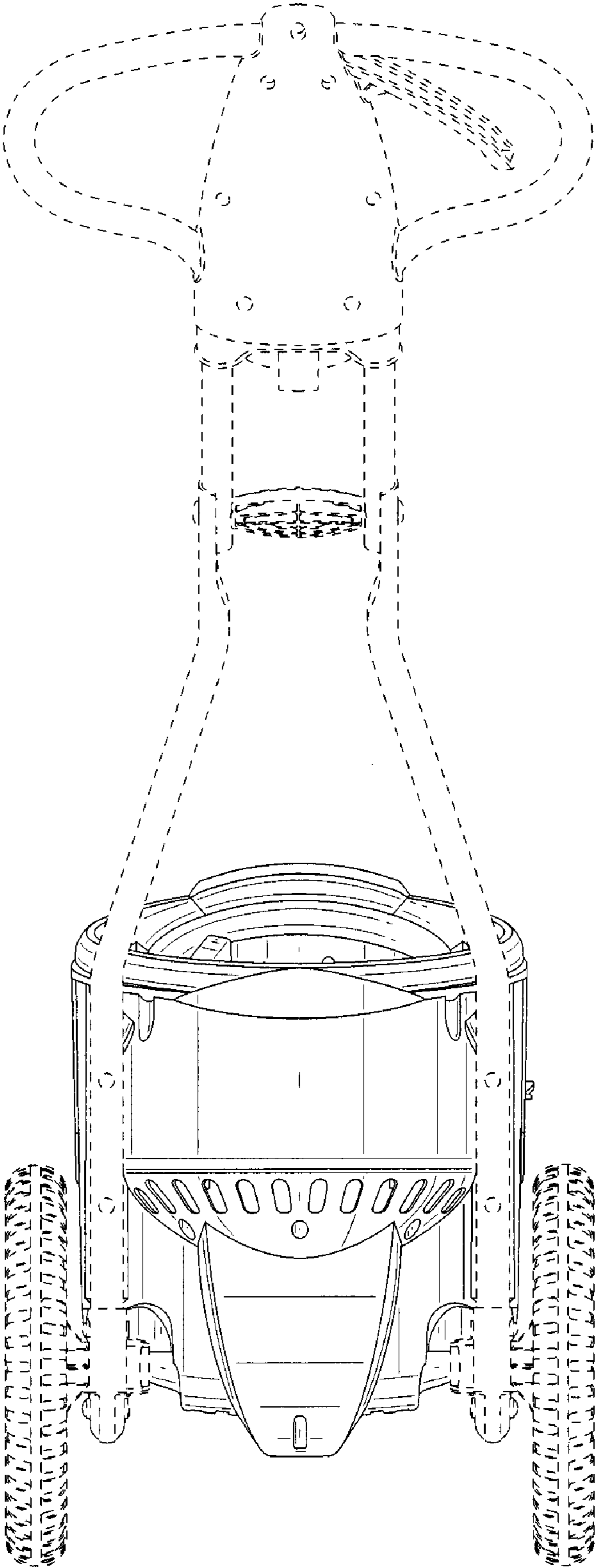


FIG. 3



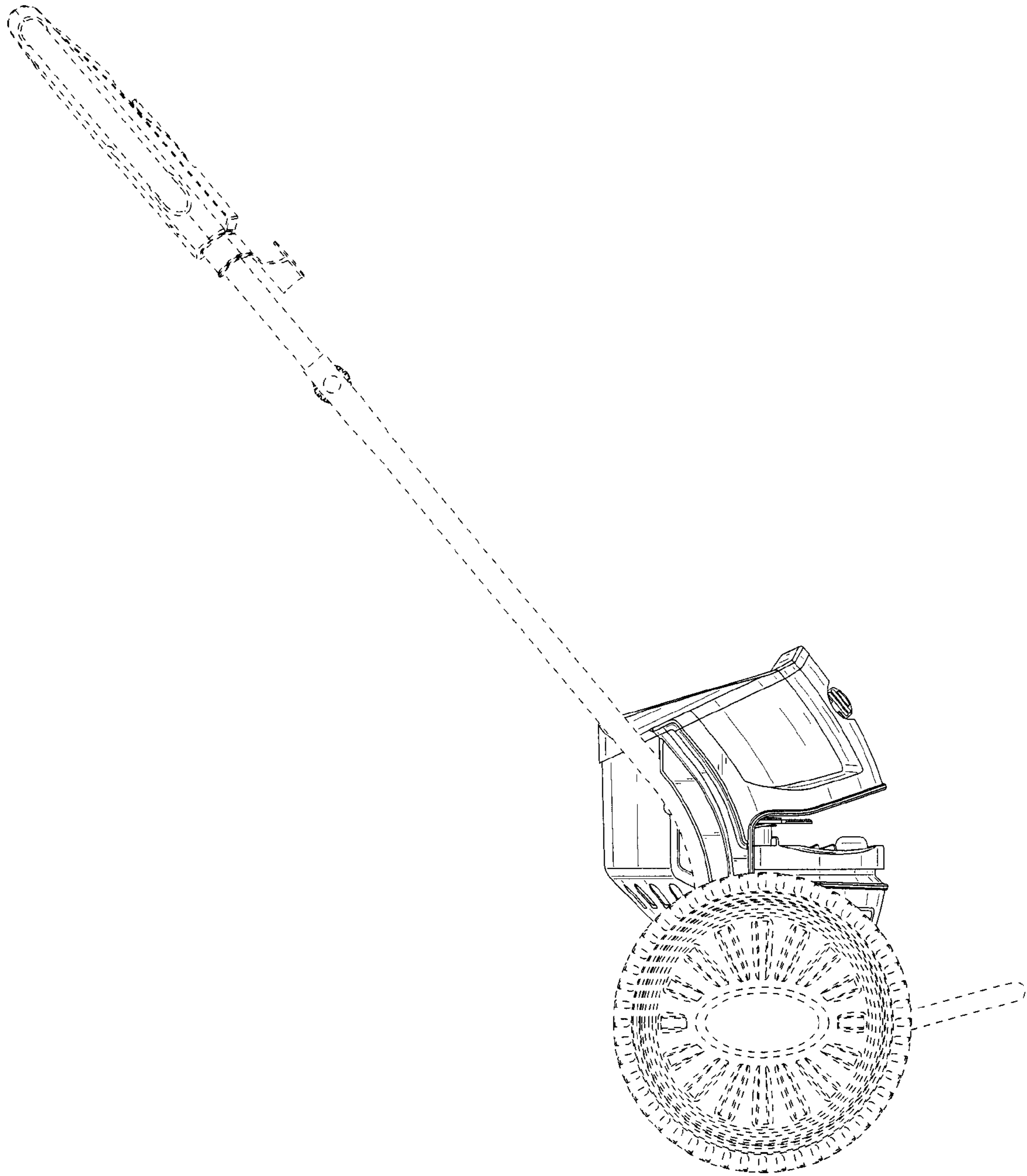


FIG. 4

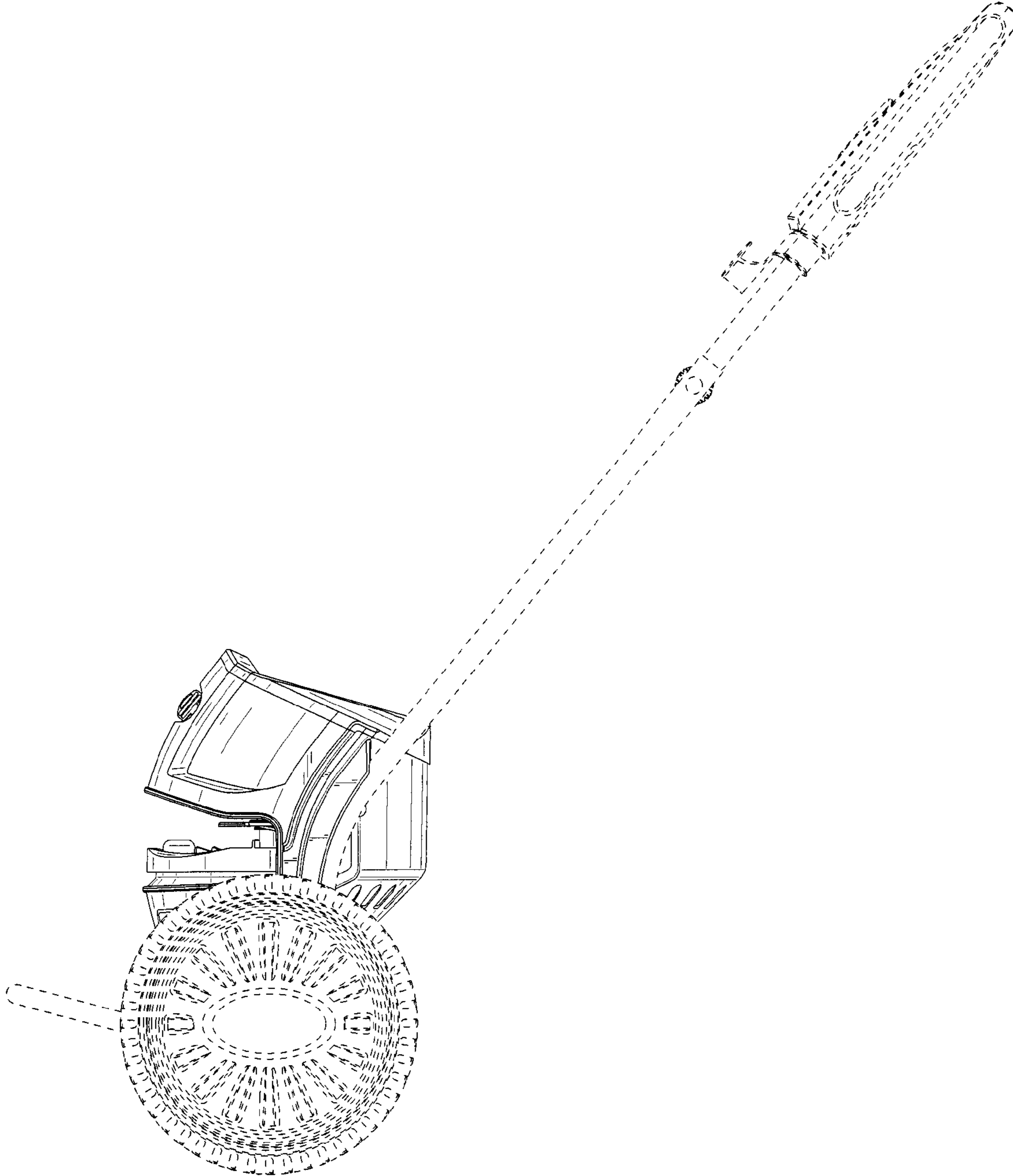


FIG. 5

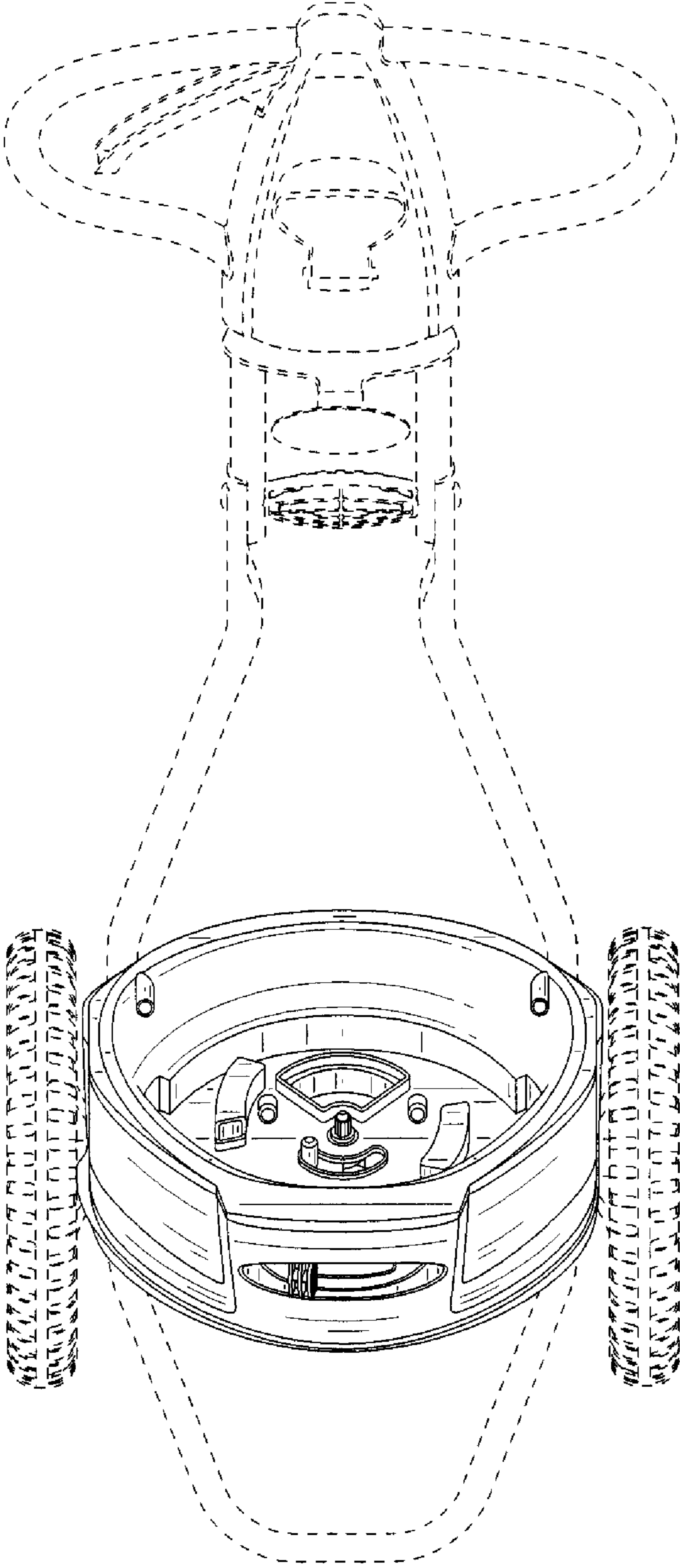


FIG. 6

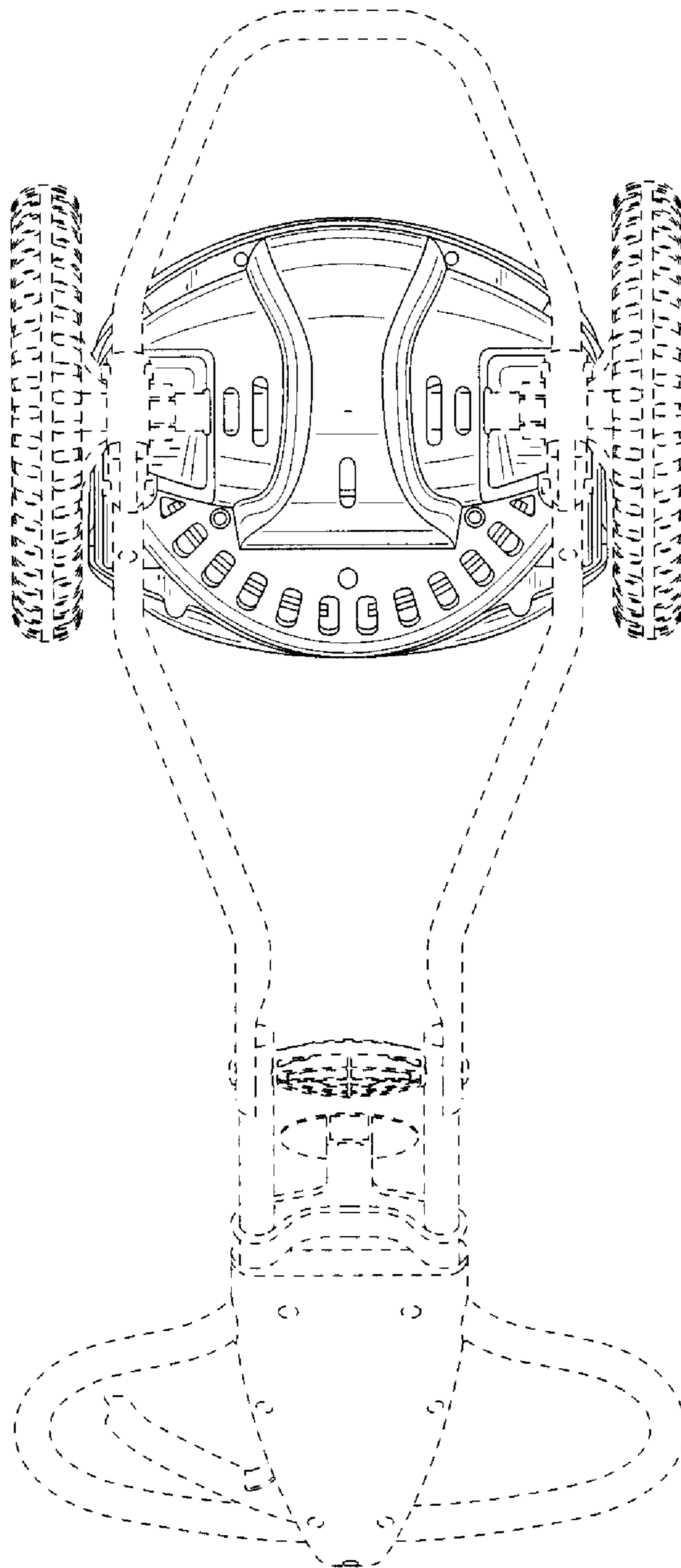


FIG. 7