



US00D623665S

(12) **United States Design Patent**  
**Hunnekuhl**

(10) **Patent No.:** **US D623,665 S**

(45) **Date of Patent:** **\*\* Sep. 14, 2010**

(54) **PUMP**

(75) Inventor: **Gerhard Hunnekuhl**, Witten (DE)

(73) Assignee: **Wilo SE**, Dortmund (DE)

(\*\*) Term: **14 Years**

(21) Appl. No.: **29/359,441**

(22) Filed: **Apr. 12, 2010**

**Related U.S. Application Data**

(63) Continuation-in-part of application No. 29/339,000, filed on Jun. 23, 2009, and a continuation of application No. 29/261,900, filed on Jun. 21, 2006, now abandoned.

(51) **LOC (9) Cl.** ..... **15-02**

(52) **U.S. Cl.** ..... **D15/7**

(58) **Field of Classification Search** ..... D15/7-9;  
D23/231, 232, 225; 417/410.1, 359, 415-416,  
417/234, 321, 265, 405

See application file for complete search history.

(56) **References Cited**

**U.S. PATENT DOCUMENTS**

D221,258 S \* 7/1971 Sadler ..... D15/7

D453,525 S *	2/2002	Lutes	.....	D15/7
D497,915 S *	11/2004	Bowen	.....	D15/7
D498,766 S *	11/2004	Iwata	.....	D15/7
D505,681 S *	5/2005	Rossmann et al.	.....	D15/7
D558,794 S *	1/2008	Kabayama et al.	.....	D15/7
D559,269 S *	1/2008	Wu	.....	D15/7
D589,983 S *	4/2009	Sinico	.....	D15/7
D603,870 S *	11/2009	Mehnert et al.	.....	D15/7

\* cited by examiner

*Primary Examiner*—Ralf Seifert

(74) *Attorney, Agent, or Firm*—Andrew Wilford

(57) **CLAIM**

The ornamental design for a pump, as shown and described.

**DESCRIPTION**

FIG. 1 is a bottom view of the pump according to the invention;

FIG. 2 is a front perspective view from above and to the left of the pump;

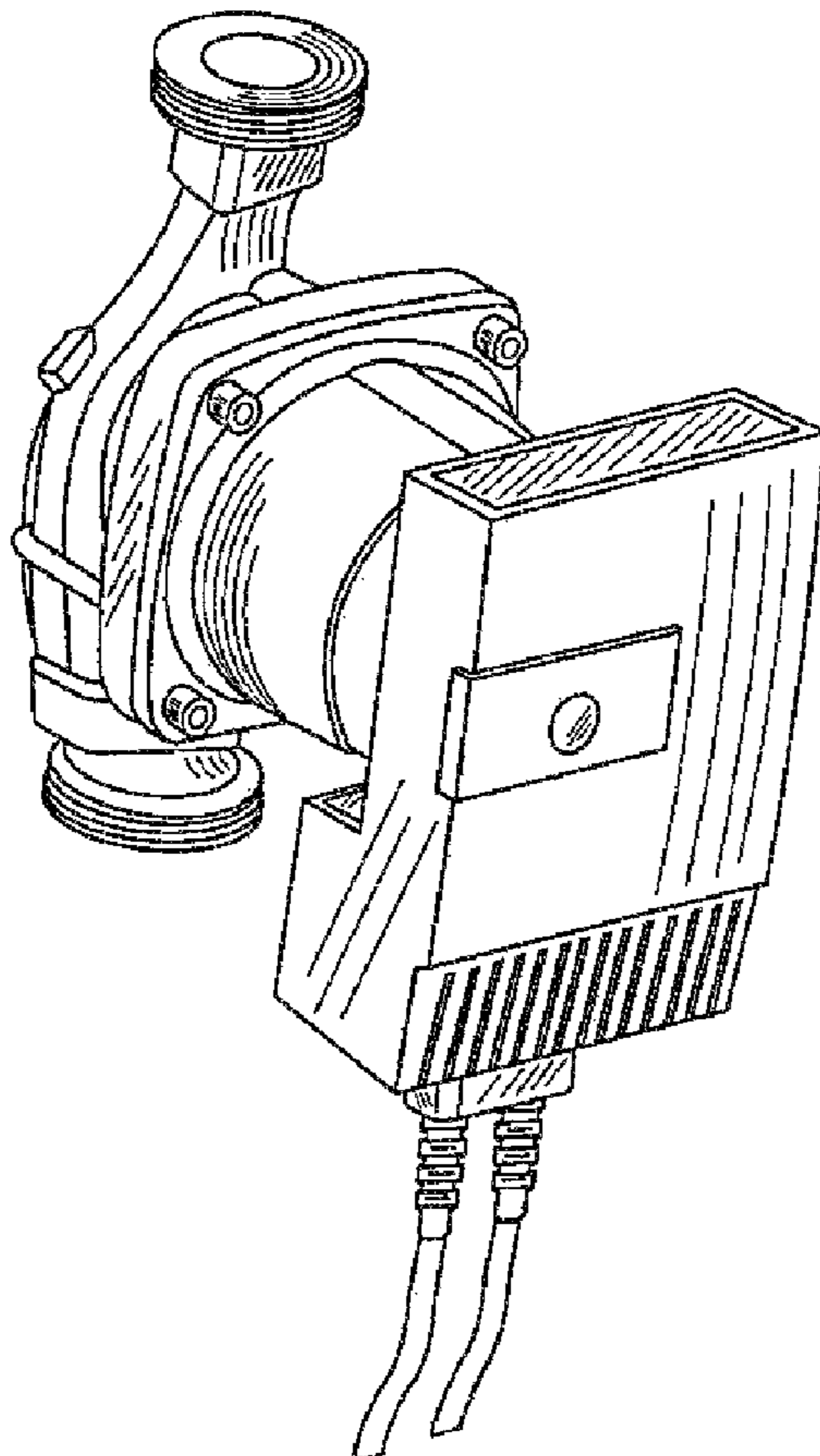
FIG. 3 is a front elevational view of the pump;

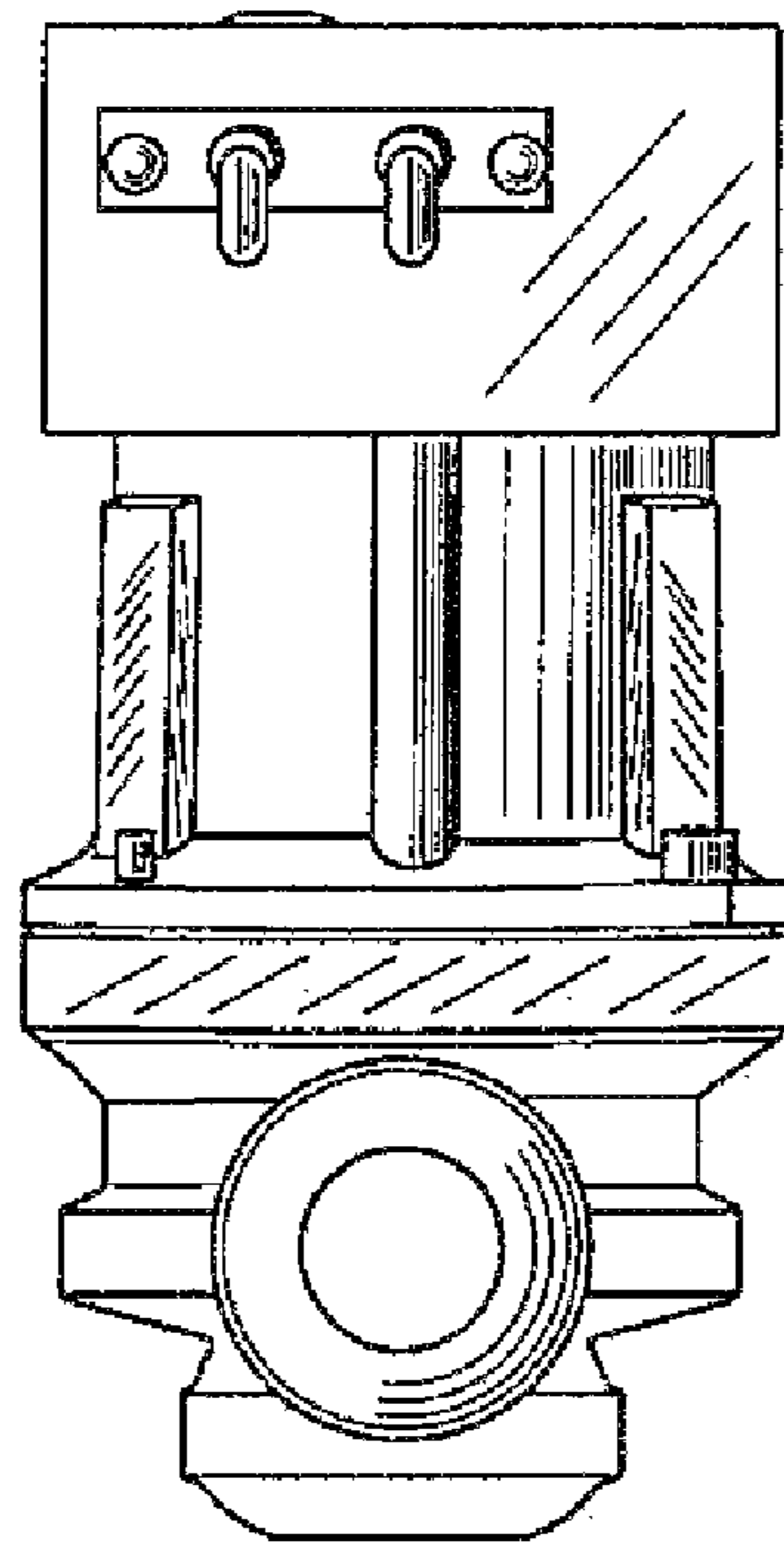
FIG. 4 is a left-hand side elevational view of the pump;

FIG. 5 is a rear elevational view of the pump; and,

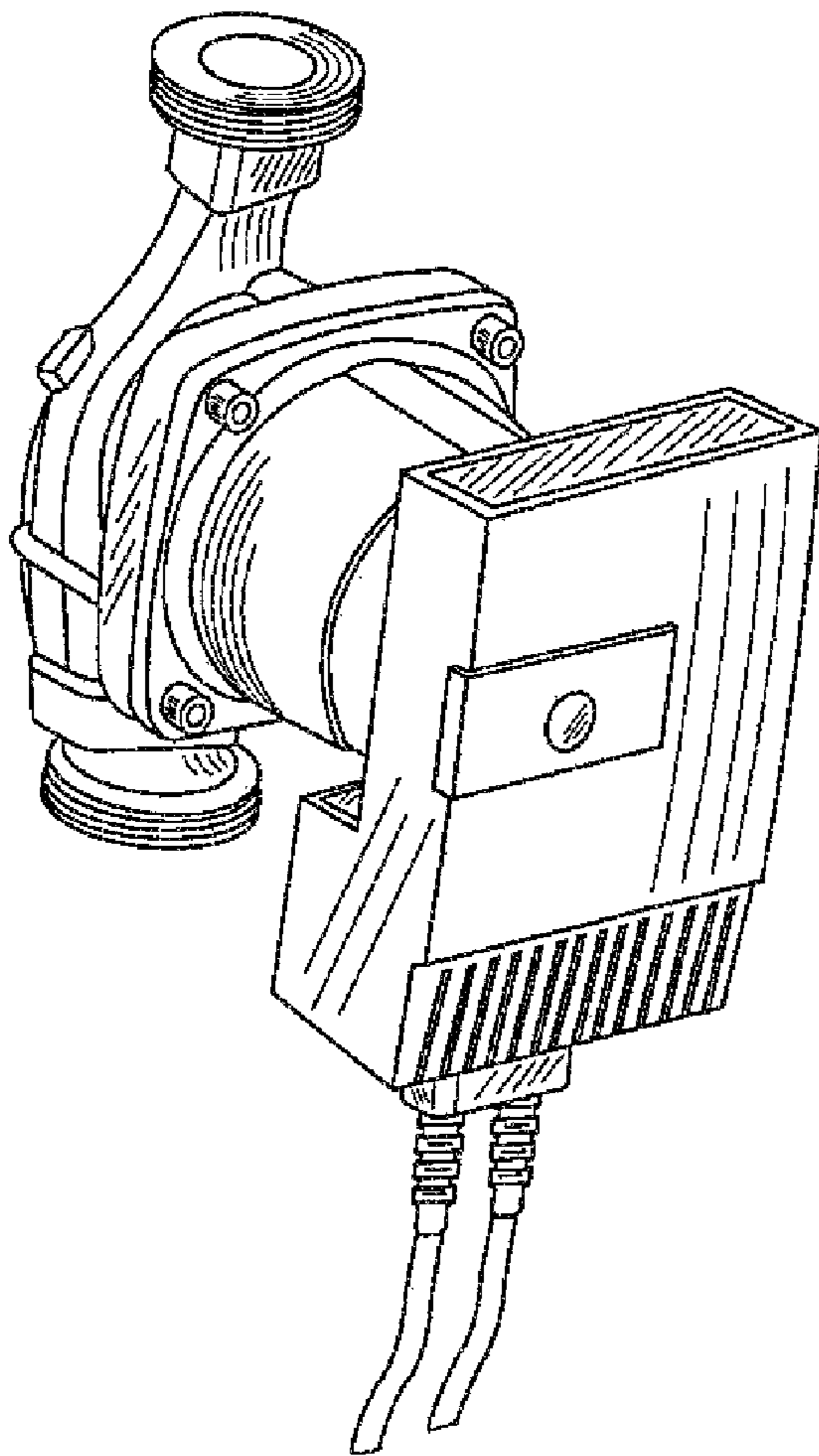
FIG. 6 is a top view of the pump.

**1 Claim, 3 Drawing Sheets**

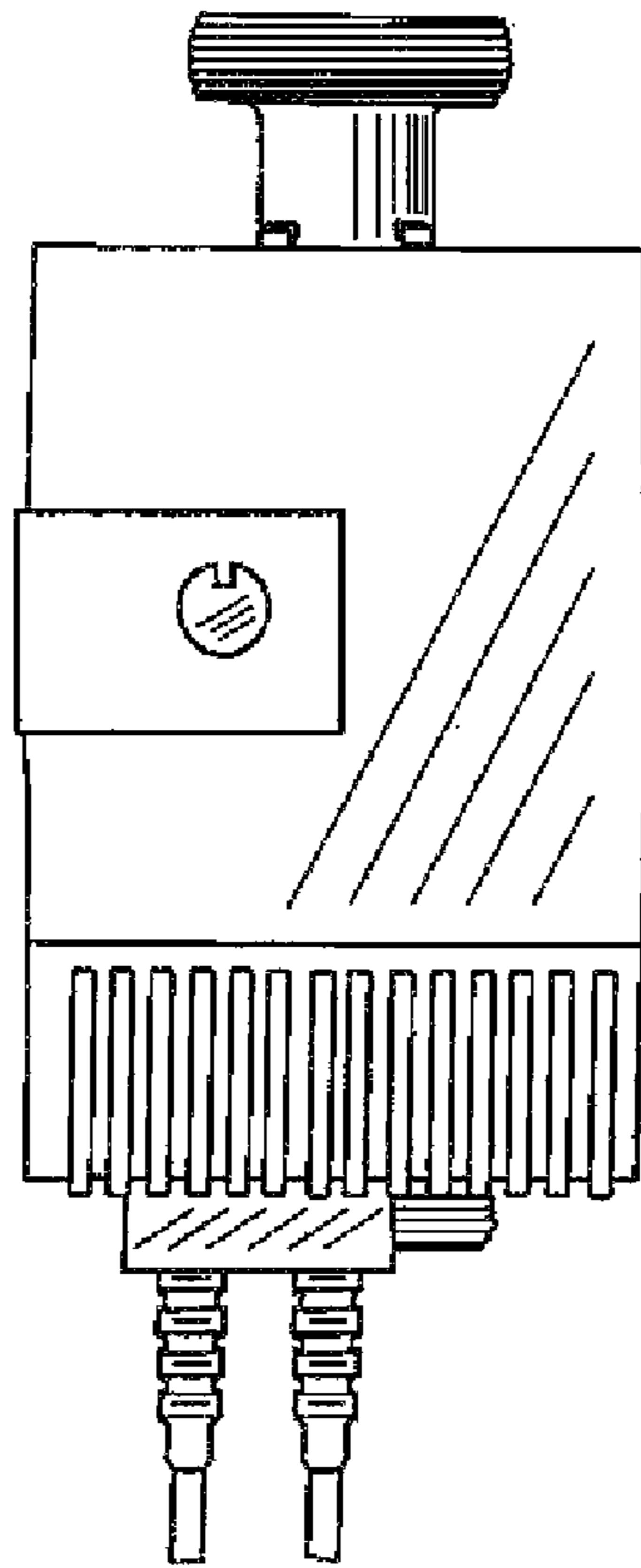




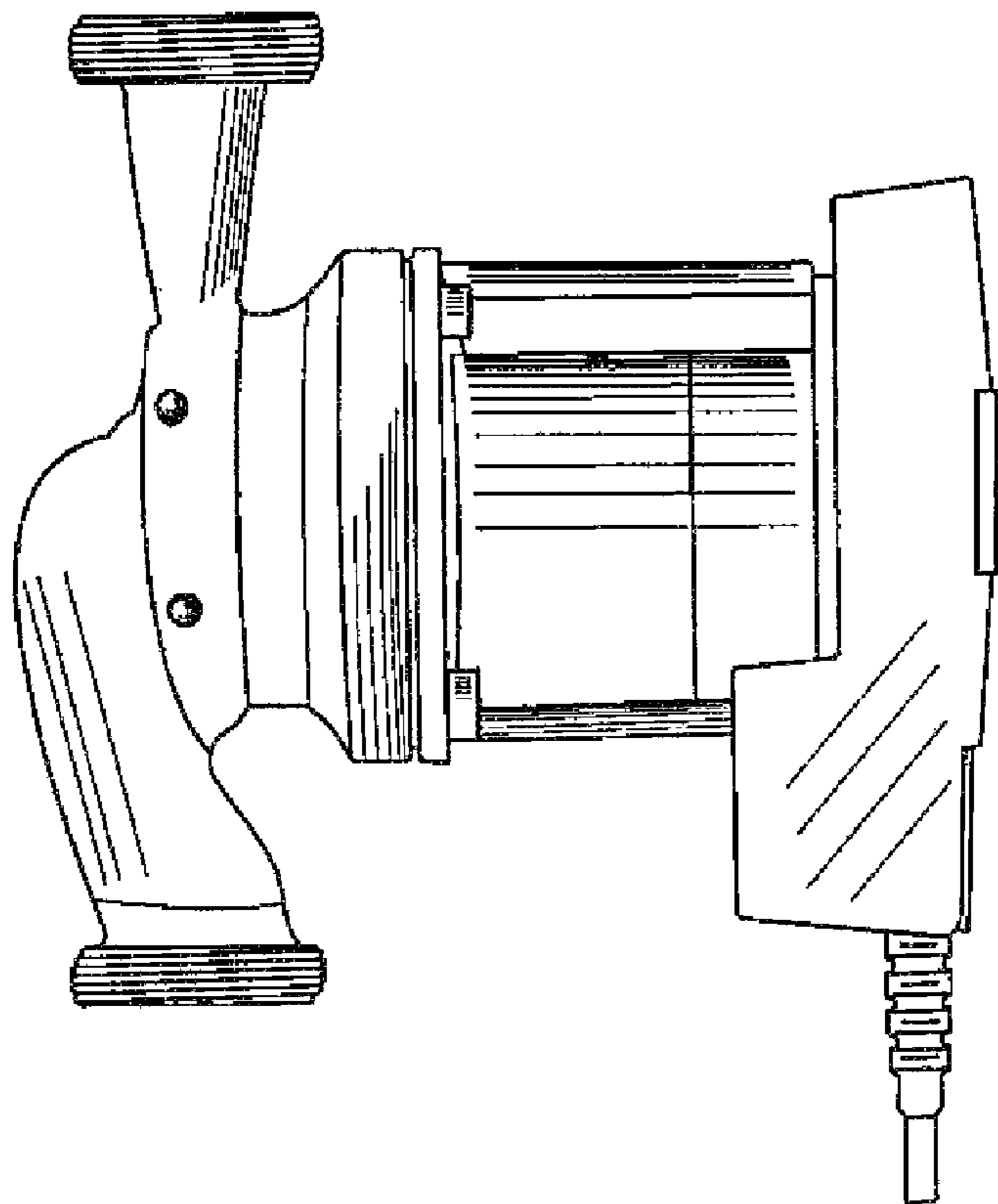
**Fig. 1**



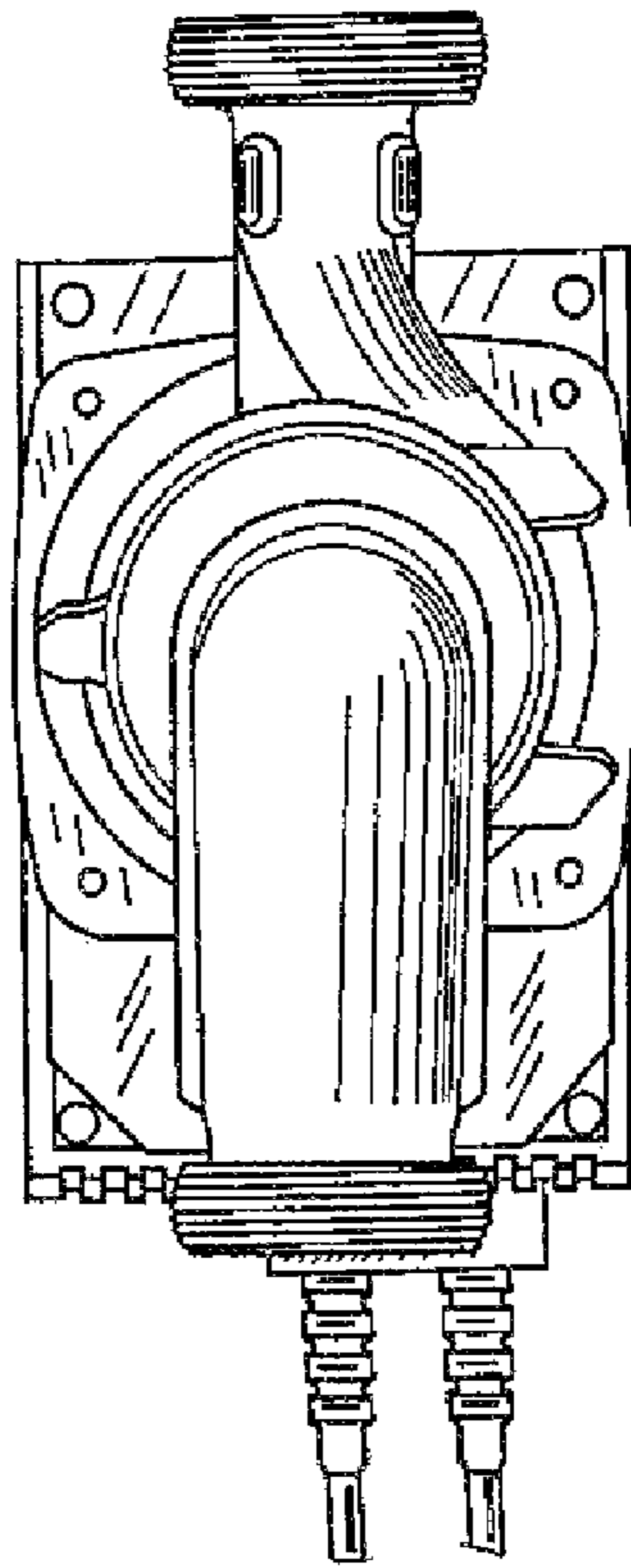
**Fig. 2**



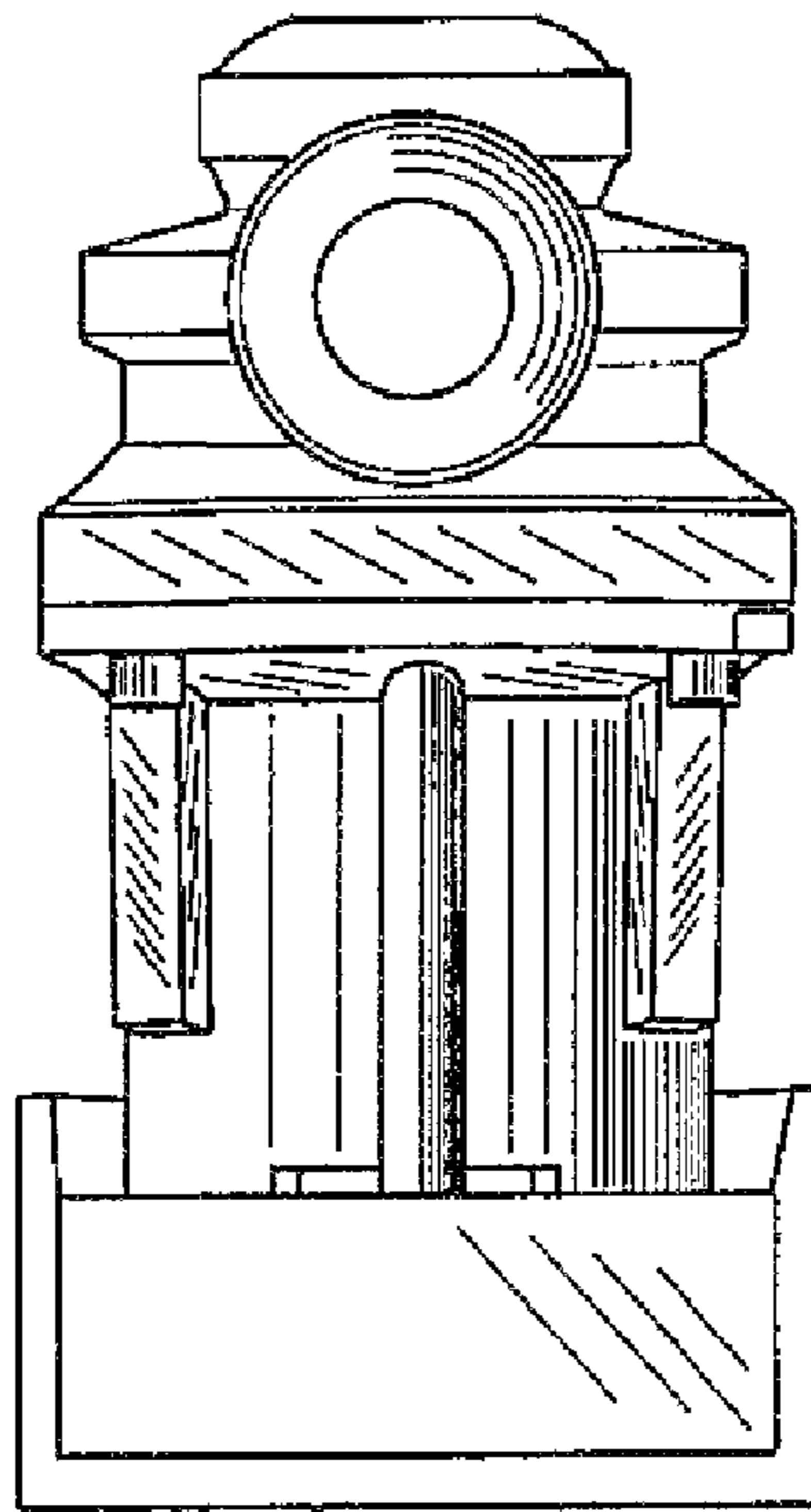
**Fig. 3**



**Fig. 4**



**Fig. 5**



**Fig. 6**