



US00D623664S

(12) **United States Design Patent**
Fulkerson et al.

(10) **Patent No.:** **US D623,664 S**

(45) **Date of Patent:** **** Sep. 14, 2010**

(54) **PUMP INJECTOR**

D540,349 S * 4/2007 Waki D15/9

* cited by examiner

(75) Inventors: **Terrence M. Fulkerson**, Brunswick Hills, OH (US); **William R. Hoversten**, Cuyahoga Falls, OH (US); **Donna F. Campbell**, Huron, OH (US)

Primary Examiner—Ralf Seifert
(74) *Attorney, Agent, or Firm*—Calfee, Halter & Griswold LLP

(73) Assignee: **Nordson Corporation**, Westlake, OH (US)

(57) **CLAIM**

The ornamental design for a pump injector, as shown and described.

(**) Term: **14 Years**

(21) Appl. No.: **29/353,622**

DESCRIPTION

(22) Filed: **Jan. 12, 2010**

FIG. 1 is an upper front right side perspective view of a pump injector of the new design;

(51) **LOC (9) Cl.** **15-02**

FIG. 2 is a top plan view of the pump injector of FIG. 1;

(52) **U.S. Cl.** **D15/7**

FIG. 3 is a bottom plan view of the pump injector of FIG. 1;

(58) **Field of Classification Search** D15/7-9;
D23/231, 232, 225, 213; 417/410.1, 359,
417/415-416, 234, 321, 265, 405

FIG. 4 is a front elevational view of the pump injector of FIG. 1;

See application file for complete search history.

FIG. 5 is a rear elevational view of the pump injector of FIG. 1, the right and left side elevational views each being a mirror image thereof; and,

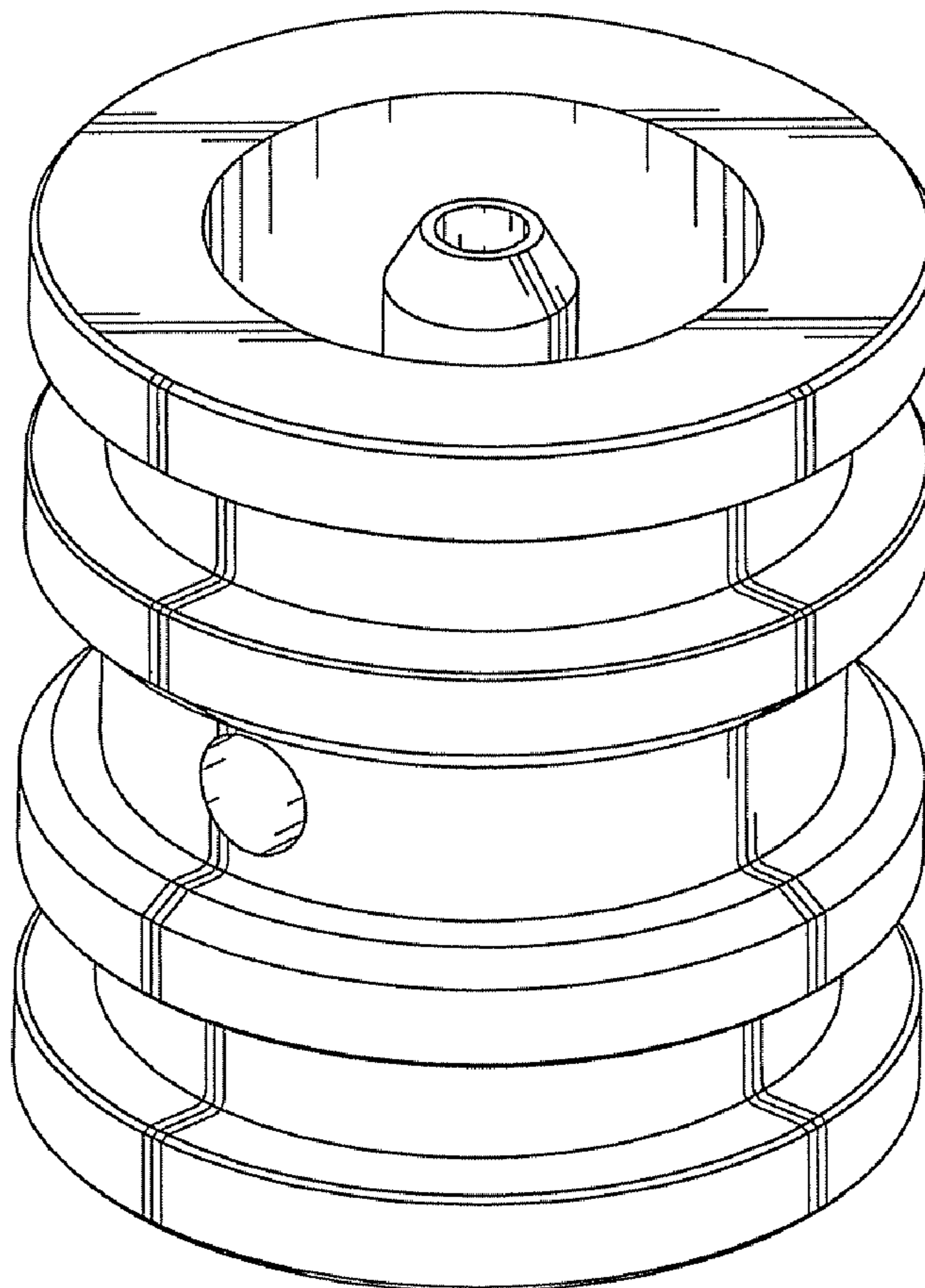
(56) **References Cited**

FIG. 6 is a cross sectional view of the pump injector of FIG. 1, along the 6-6 line of FIG. 4.

U.S. PATENT DOCUMENTS

D252,630 S * 8/1979 Howes D15/5
D331,241 S * 11/1992 Price et al. D15/9

1 Claim, 3 Drawing Sheets



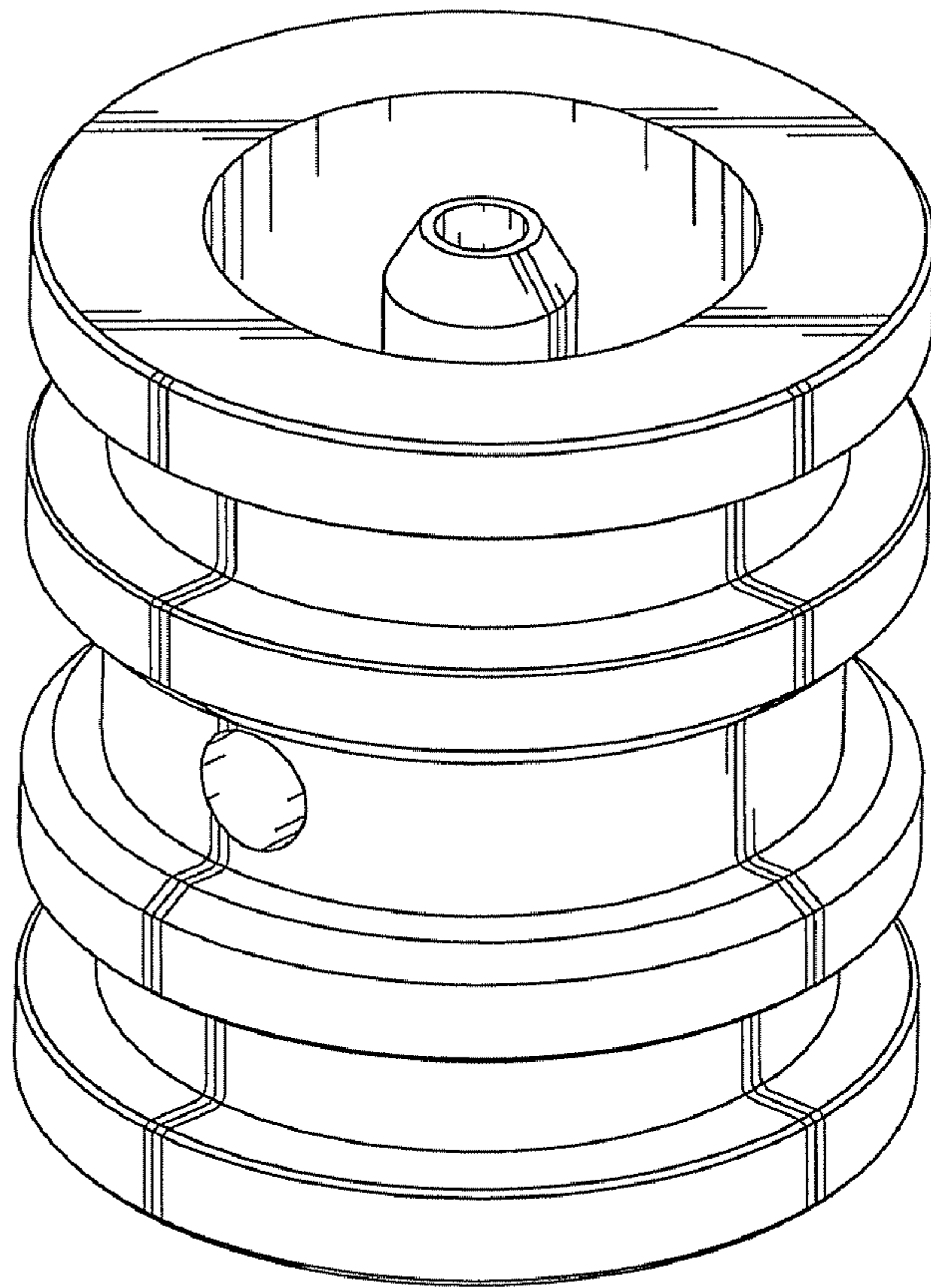


FIG. 1

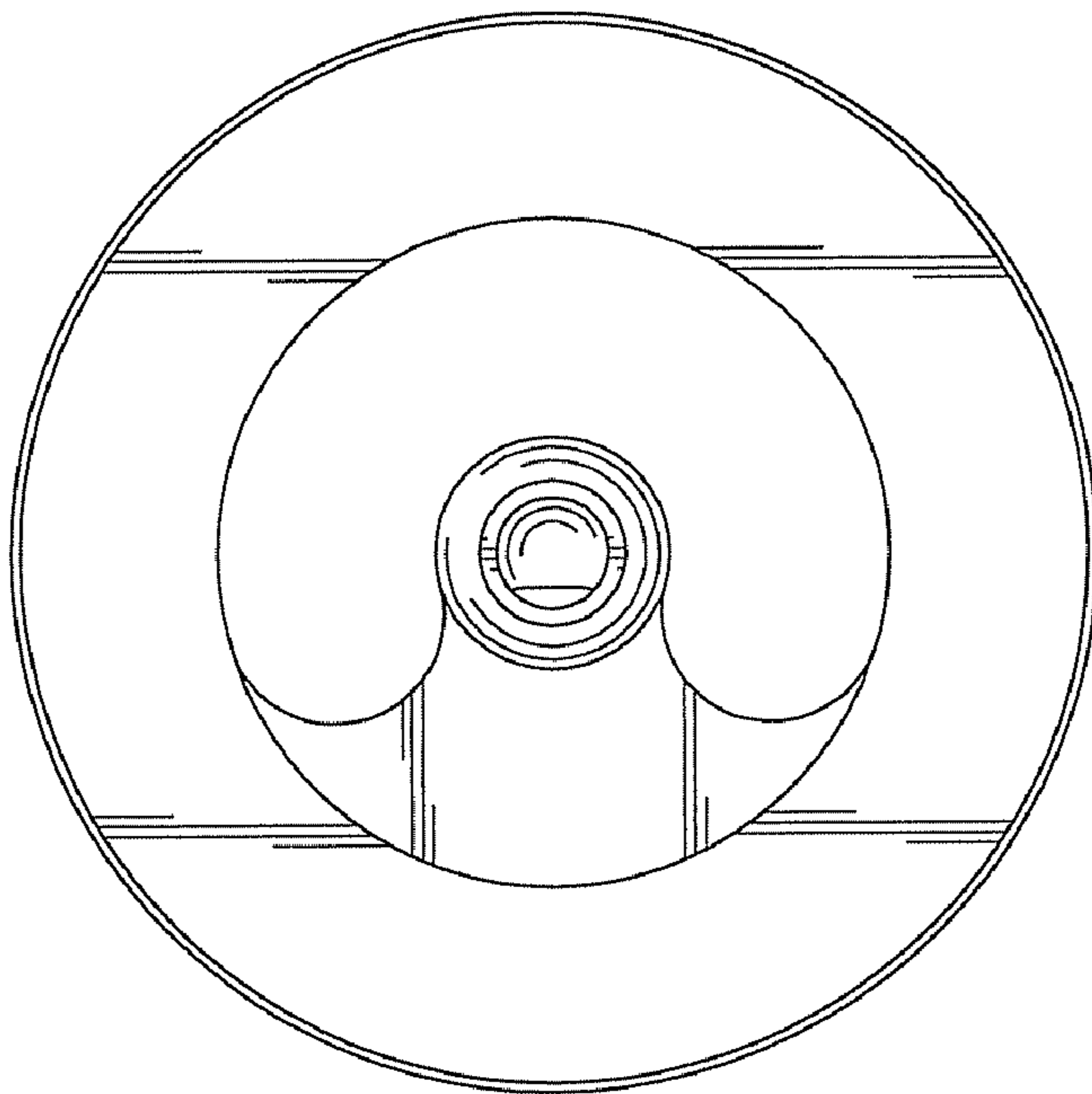


FIG. 2

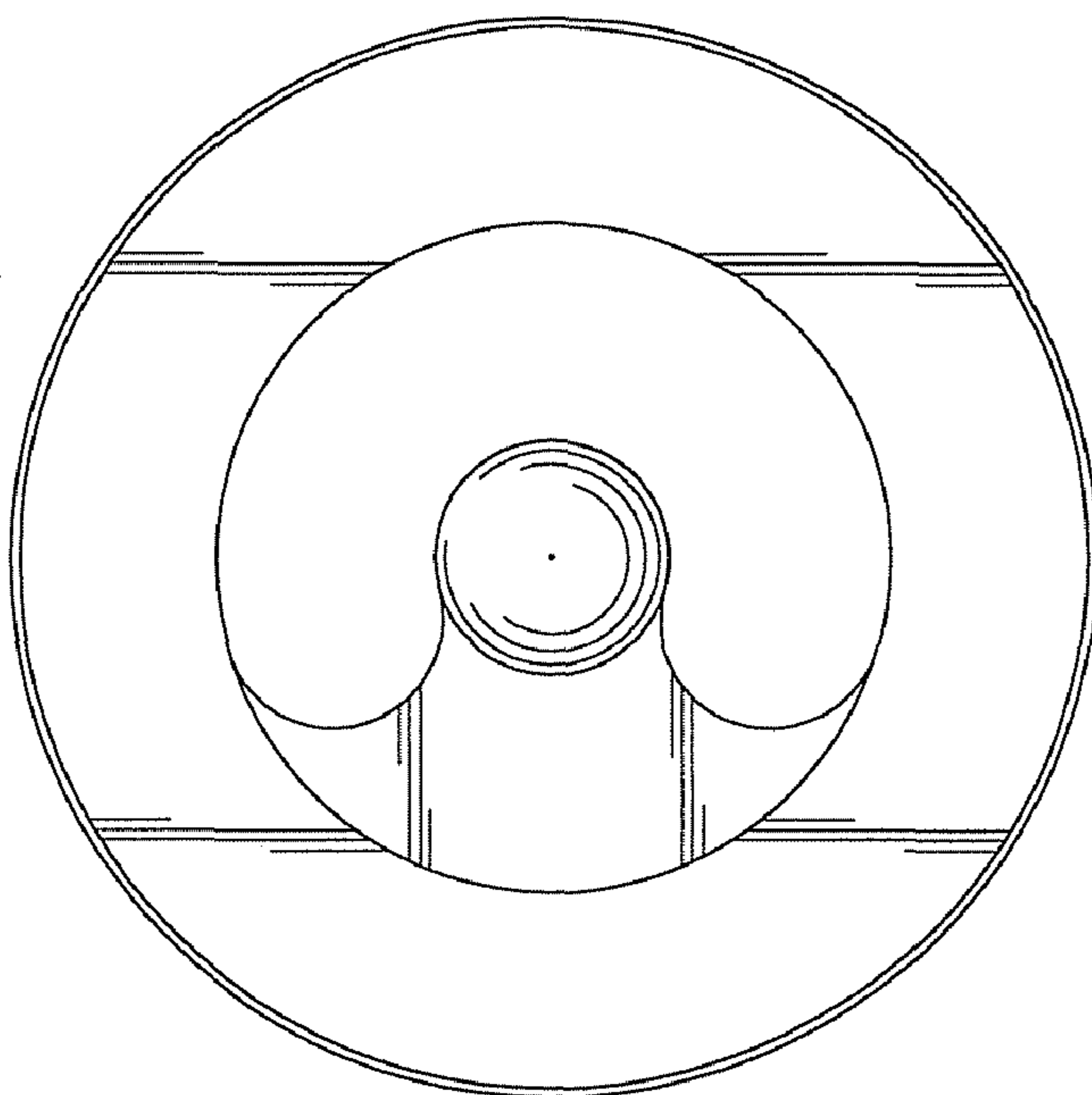


FIG. 3

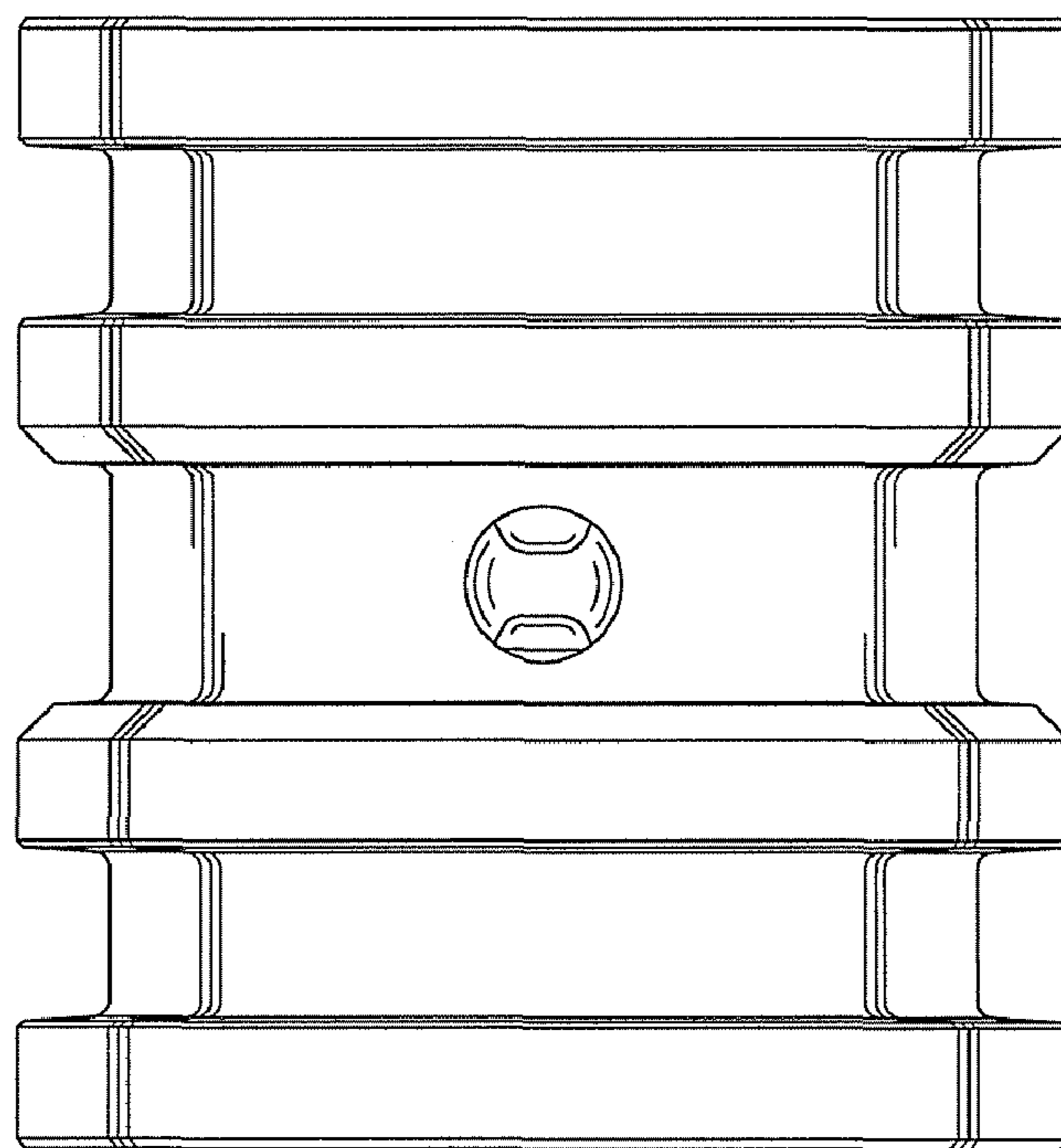


FIG. 4

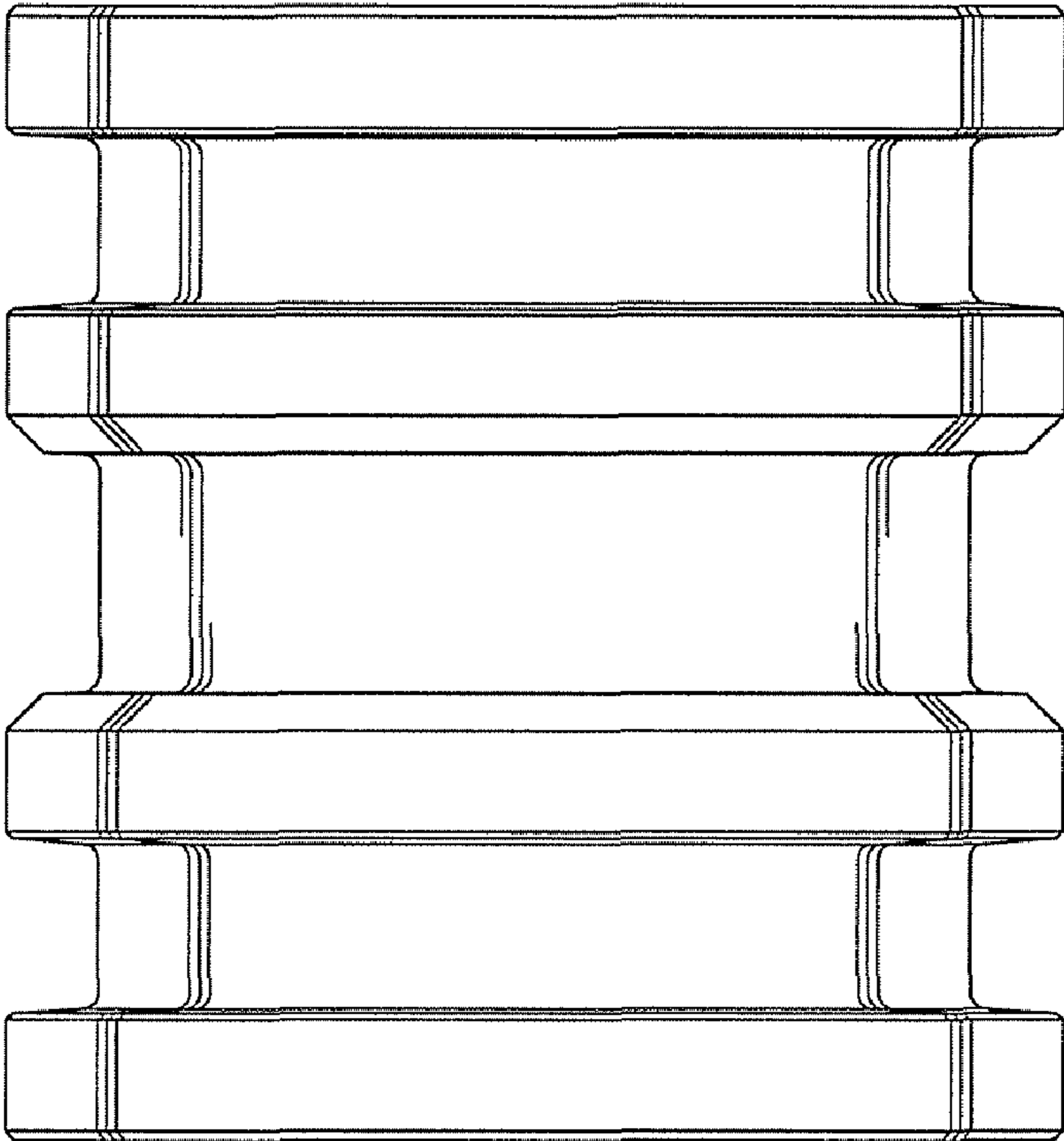


FIG. 5

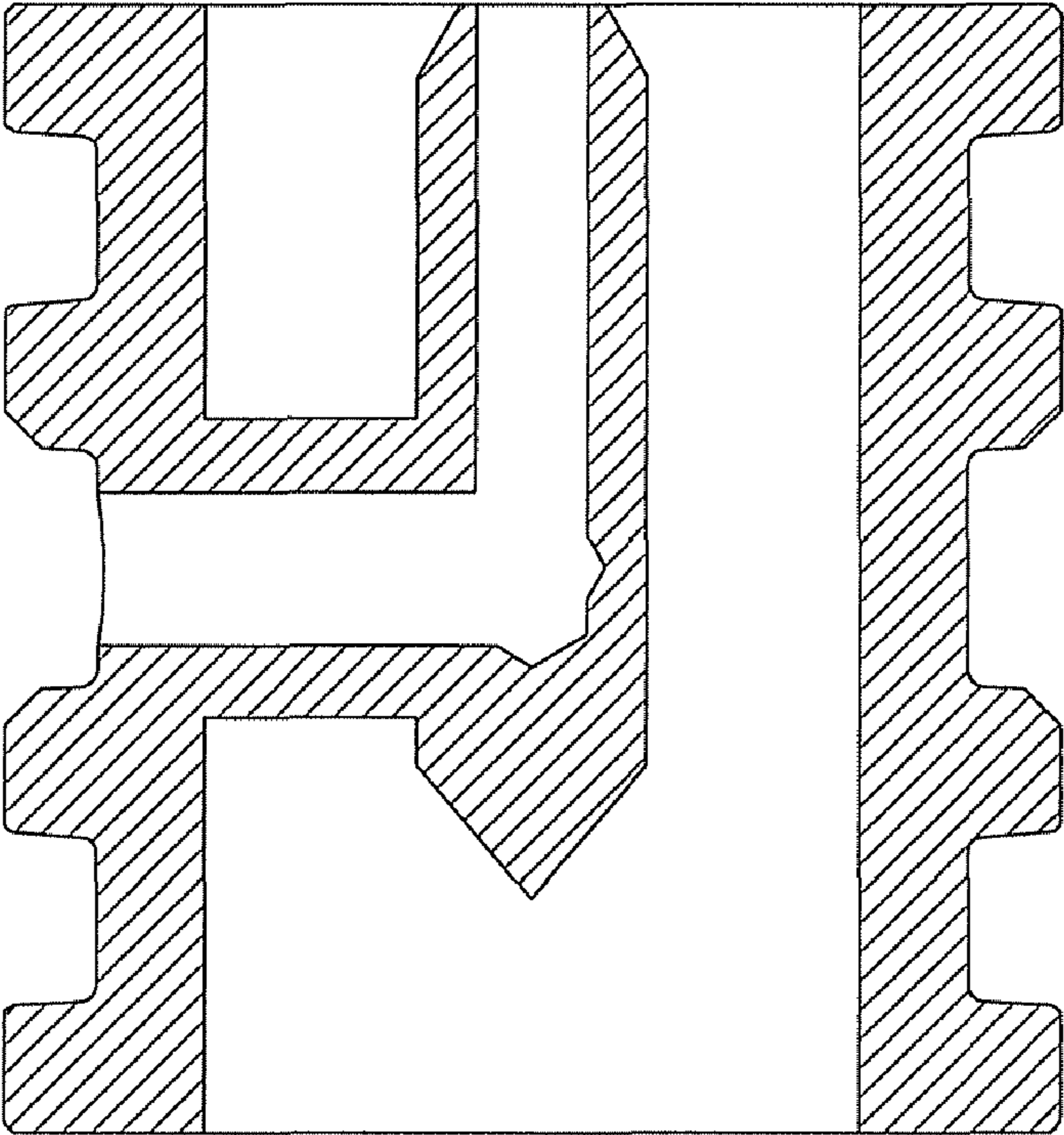


FIG. 6