

US00D623663S

(12) **United States Design Patent**
Kieffer et al.

(10) **Patent No.:** **US D623,663 S**

(45) **Date of Patent:** **** Sep. 14, 2010**

(54) **FLUID DELIVERY SYSTEM**

2008/0095634 A1* 4/2008 Kieffer 416/241 R

(75) Inventors: **Joseph W. Kieffer**, Chanhassen, MN (US); **Richard P. Anderson**, Cedar Lake Township, MN (US); **Eric C. Lagman**, Anderson, SC (US); **Christopher J. Sulzer**, St. Louis Park, MN (US); **James J. Handzel**, Golden Valley, MN (US)

(73) Assignee: **Wagner Spray Tech Corporation**, Plymouth, MN (US)

(**) Term: **14 Years**

(21) Appl. No.: **29/346,417**

(22) Filed: **Oct. 30, 2009**

(51) **LOC (9) Cl.** **15-01**

(52) **U.S. Cl.** **D15/5**

(58) **Field of Classification Search** D15/1,
D15/2, 3, 5, 6, 14, 17, 149, 7; 417/415, 419,
417/241 R

See application file for complete search history.

(56) **References Cited**

U.S. PATENT DOCUMENTS

D270,733 S *	9/1983	Davis	D15/9
D365,569 S	12/1995	Kieffer		
5,550,336 A *	8/1996	Kieffer	181/230
5,556,255 A *	9/1996	Kieffer	415/212.1
5,639,222 A *	6/1997	Kieffer	417/244
5,702,131 A *	12/1997	Kieffer	285/139.3
5,772,711 A *	6/1998	Kieffer	96/421

OTHER PUBLICATIONS

Application and Drawings from related U.S. Appl. No. 29/343,761, filed Sep. 18, 2009 (9 pages).

Application and Drawings from related U.S. Appl. No. 29/346,426, filed Oct. 30, 2009 (9 pages).

* cited by examiner

Primary Examiner—T. Chase Nelson

Assistant Examiner—Ania K Dworzecka

(74) *Attorney, Agent, or Firm*—Christopher J. Volkmann; Westman, Champlin & Kelly, P.A.

(57) **CLAIM**

The ornamental design for a fluid delivery system, as shown and described.

DESCRIPTION

FIG. 1 is a perspective view of a fluid delivery system showing our new design.

FIG. 2 is a front elevation view of the fluid delivery system.

FIG. 3 is a rear elevation view of the fluid delivery system.

FIG. 4 is a right side elevation view of the fluid delivery system.

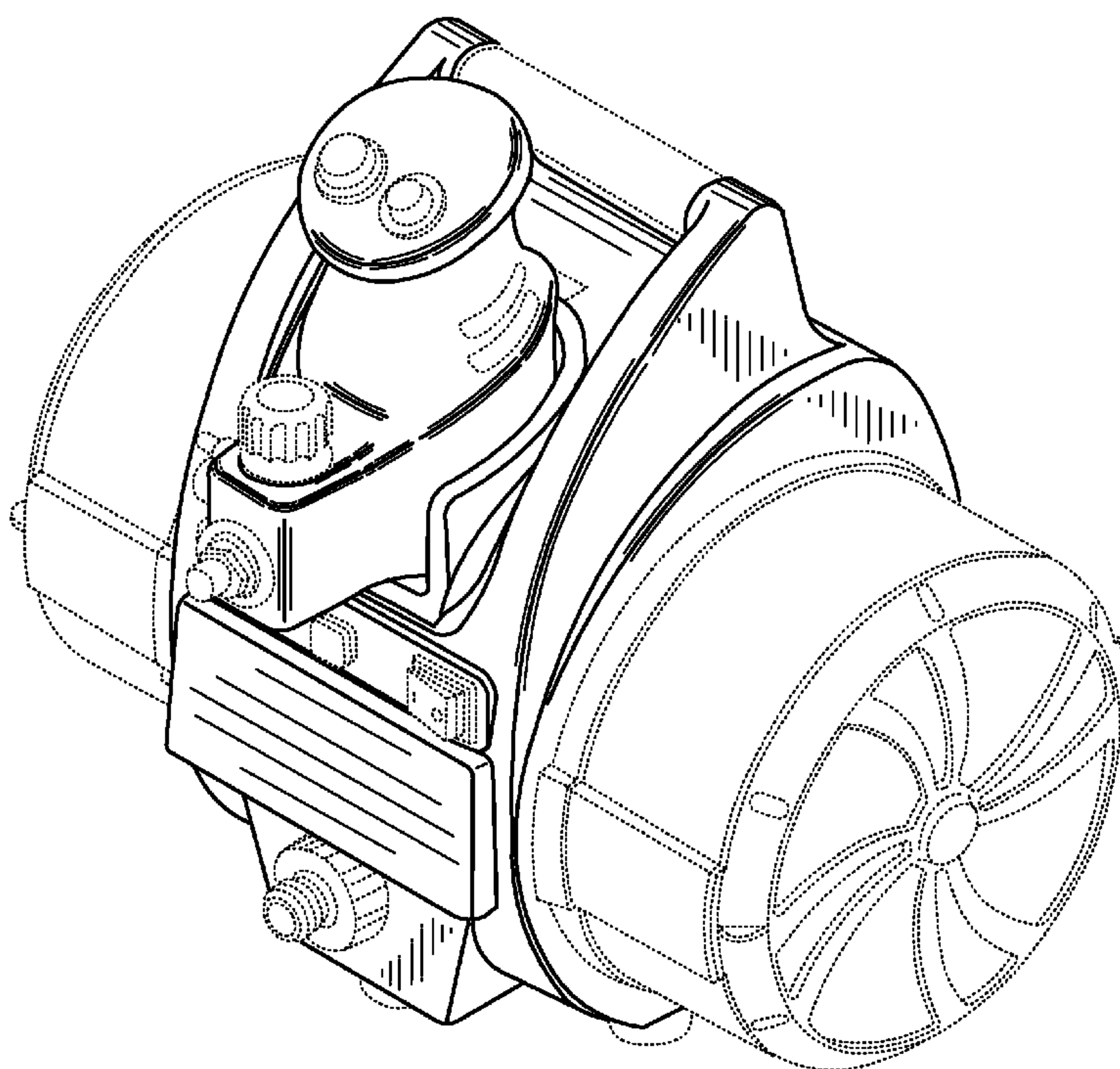
FIG. 5 is a left side elevation view of the fluid delivery system.

FIG. 6 is a top plan view of the fluid delivery system; and,

FIG. 7 is a bottom plan view of the fluid delivery system.

In the drawings, the broken lines depict unclaimed subject matter only and form no part of the claimed design.

1 Claim, 7 Drawing Sheets



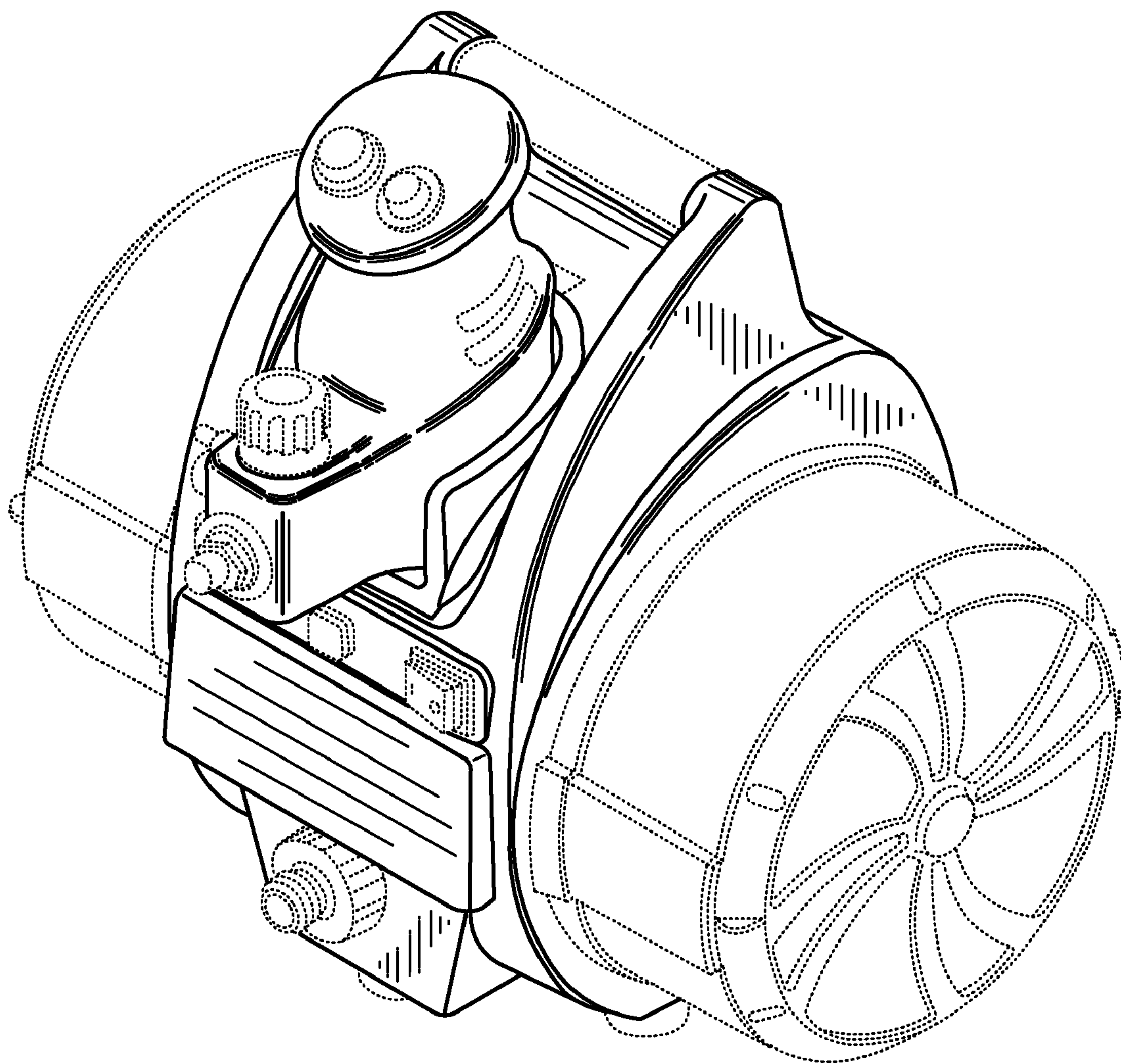


FIG. 1

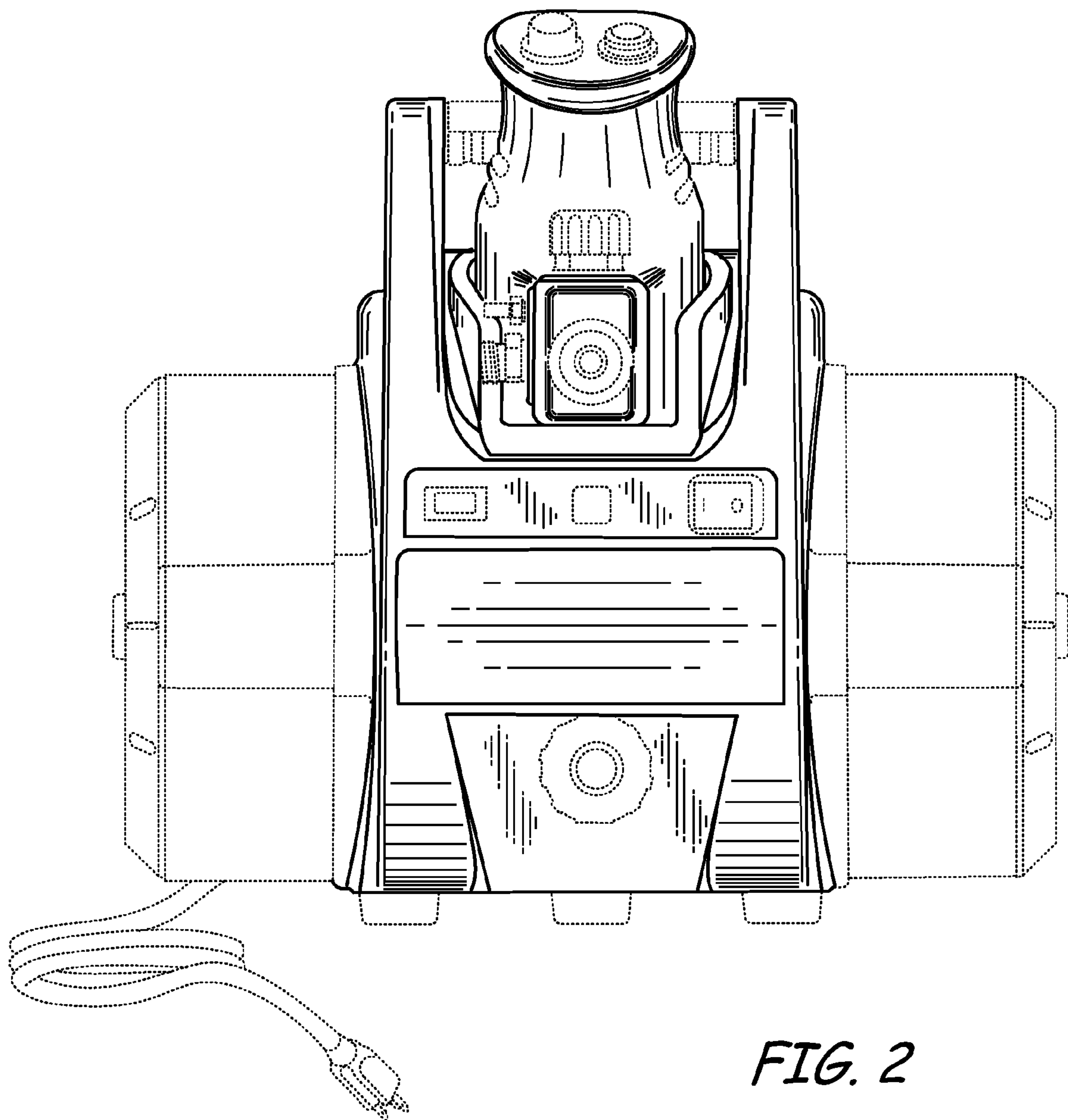


FIG. 2

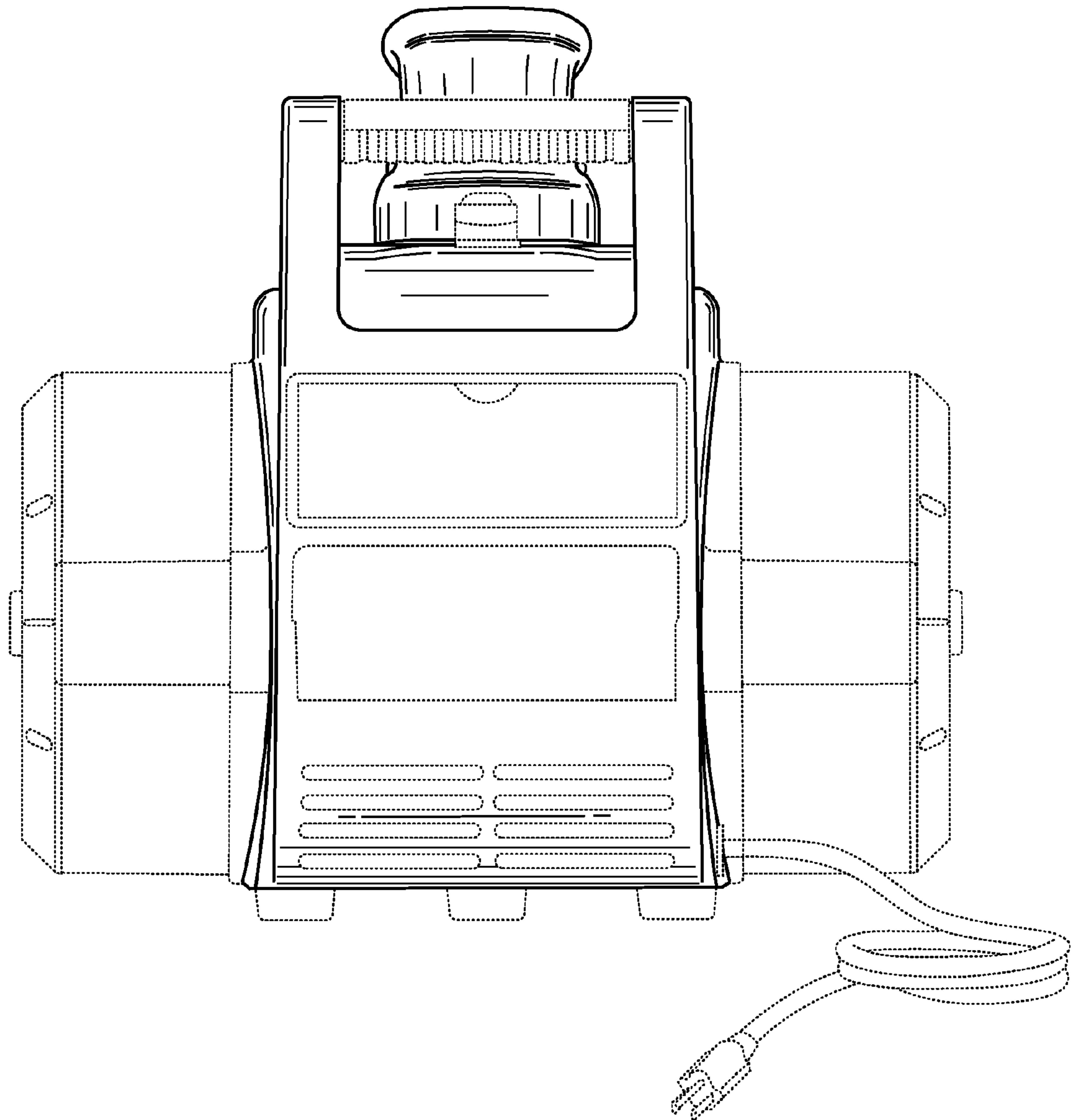


FIG. 3

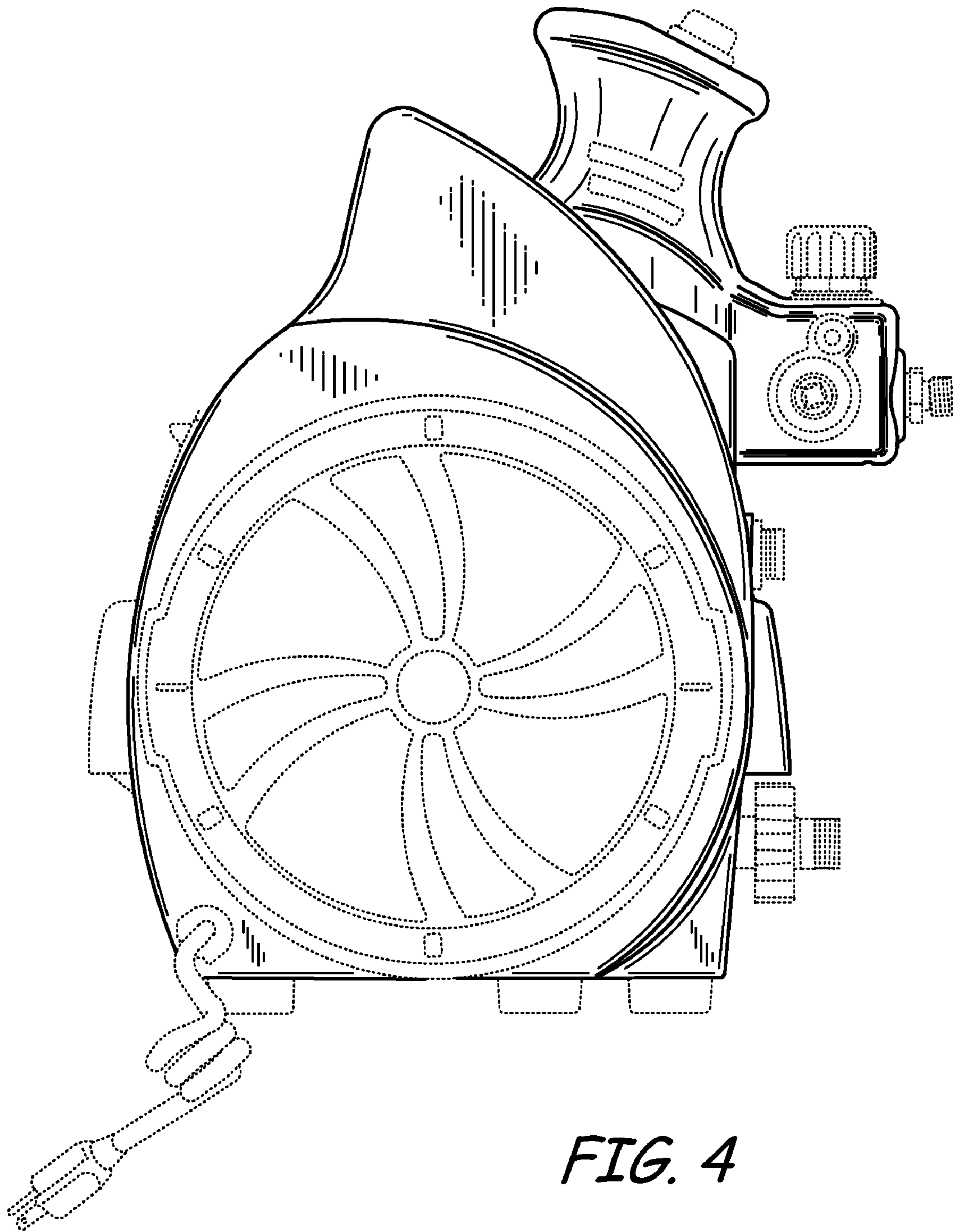


FIG. 4

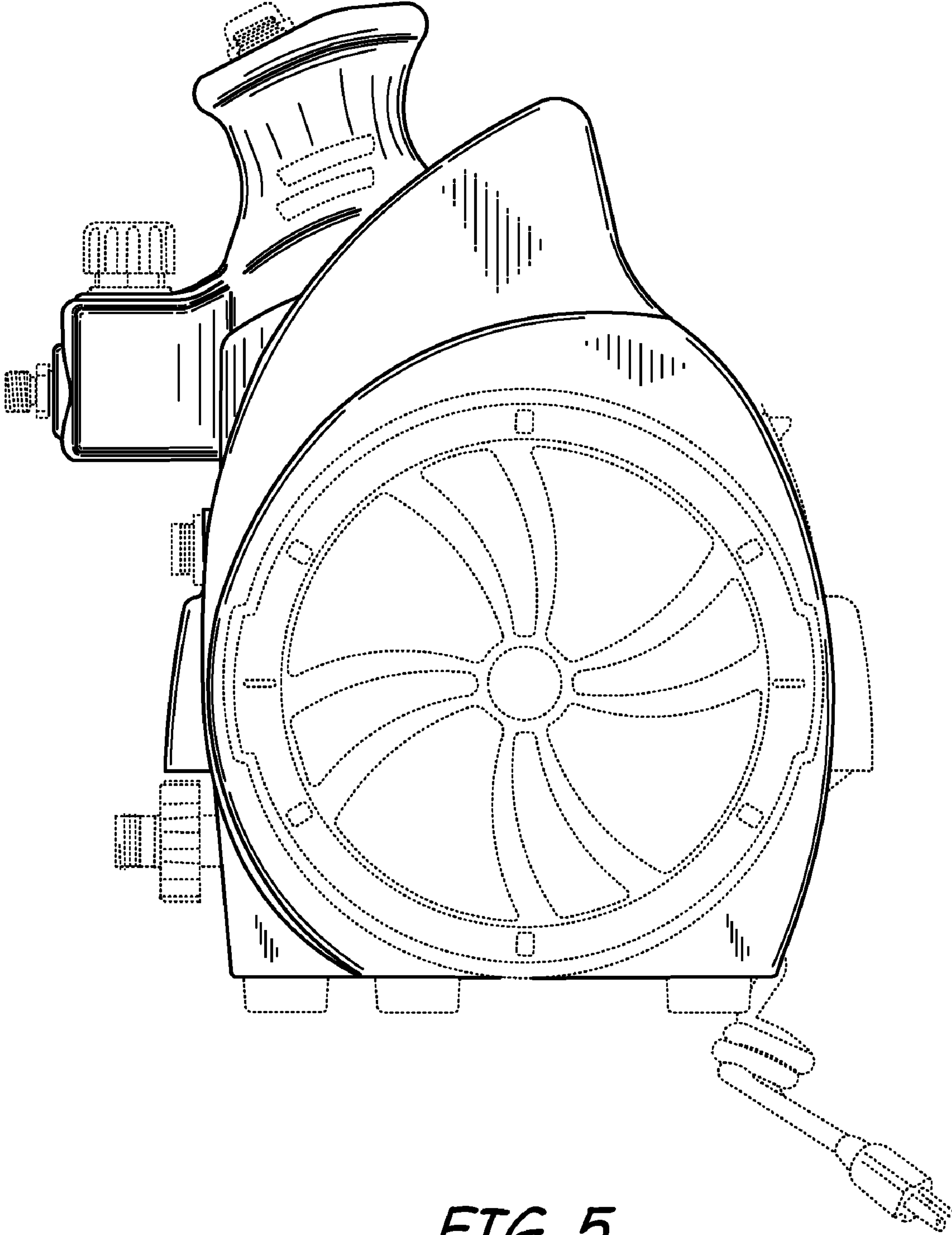


FIG. 5

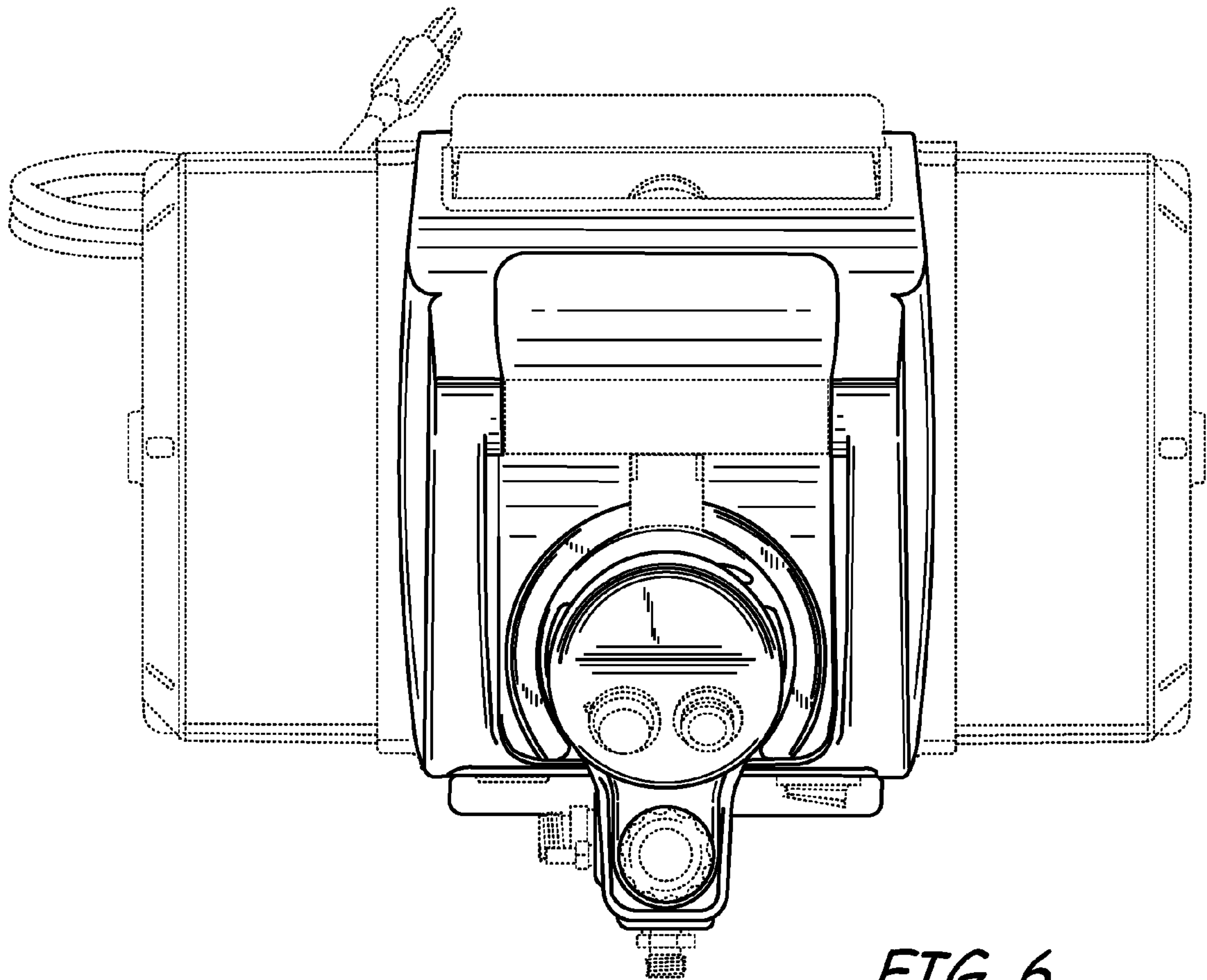


FIG. 6

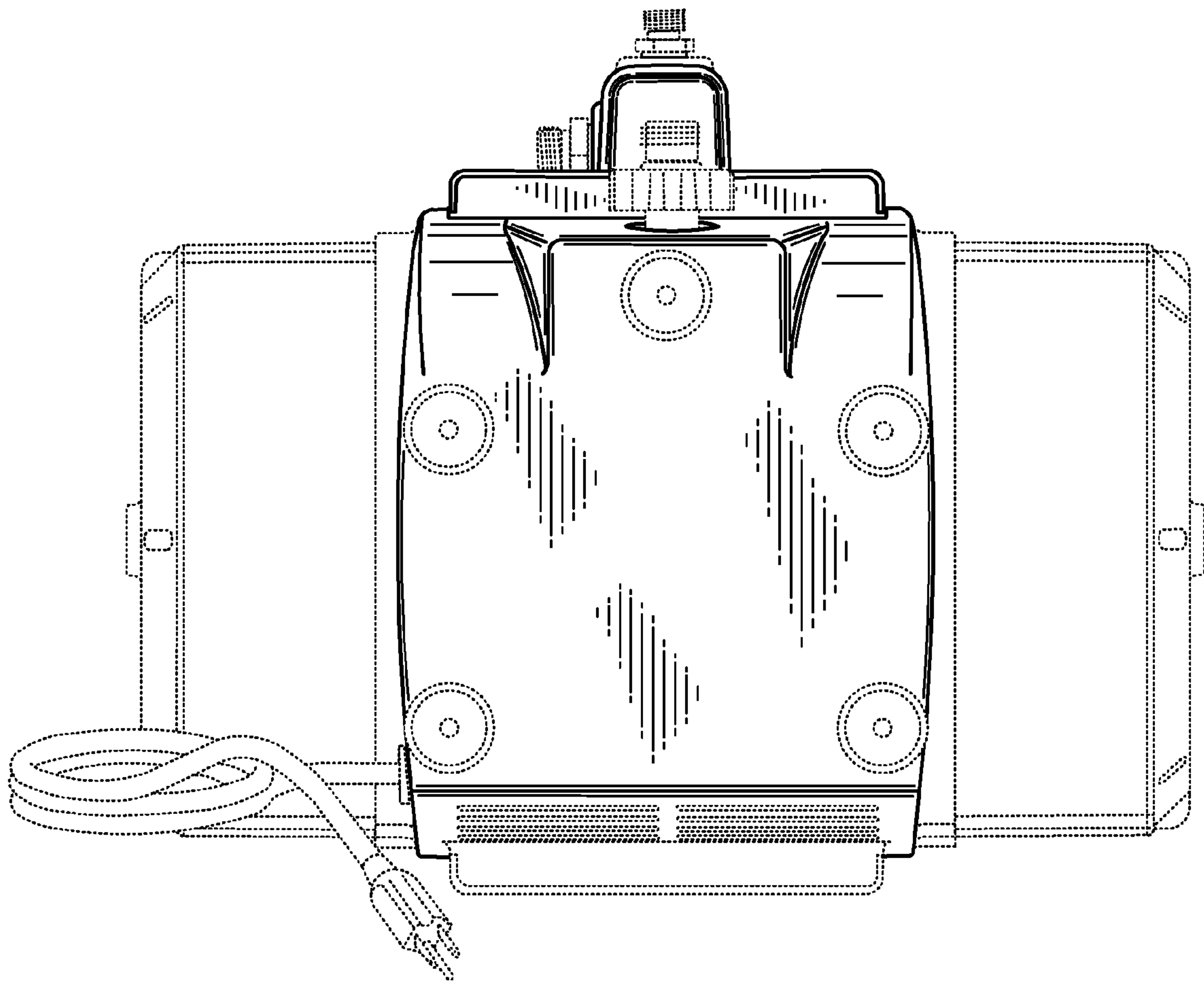


FIG. 7