



US00D623662S

(12) **United States Design Patent**  
**Shimizugami**

(10) **Patent No.:** **US D623,662 S**

(45) **Date of Patent:** **\*\* Sep. 14, 2010**

(54) **GENERATOR COVER FOR MOTORCYCLES**

(75) Inventor: **Tsutomu Shimizugami**, Kakogawa (JP)

(73) Assignee: **Kawasaki Jukogyo Kabushiki Kaisha**,  
Hyogo (JP)

(\*\*) Term: **14 Years**

(21) Appl. No.: **29/332,838**

(22) Filed: **Feb. 26, 2009**

(51) **LOC (9) Cl.** ..... **15-01**

(52) **U.S. Cl.** ..... **D15/5; D12/126**

(58) **Field of Classification Search** ..... D15/5,  
D15/148; D12/110, 114, 126, 127; 123/41.31,  
123/41.42, 196 AB, 196 R, 196 A, 196 CP,  
123/198 E, 198 P, 195 C, 432, 143 C, 41.86;  
74/606 R; 180/69.1, 219, 220; 280/288.4  
See application file for complete search history.

(56) **References Cited**

**U.S. PATENT DOCUMENTS**

D349,079 S \* 7/1994 Matthies ..... D12/126  
D471,207 S \* 3/2003 Kern et al. .... D15/5  
D479,244 S \* 9/2003 Kern et al. .... D15/5  
D541,300 S \* 4/2007 Geisheker et al. .... D15/5

D598,471 S \* 8/2009 Wang et al. .... D15/1

\* cited by examiner

*Primary Examiner*—Philip S. Hyder  
*Assistant Examiner*—Linda G. Brooks

(57) **CLAIM**

The ornamental design for a generator cover for motorcycles,  
as shown and described.

**DESCRIPTION**

FIG. 1 is a front elevational view of a generator cover for  
motorcycles showing my new design;

FIG. 2 is a rear elevational view thereof;

FIG. 3 is a left side elevational view thereof;

FIG. 4 is a right side elevational view thereof;

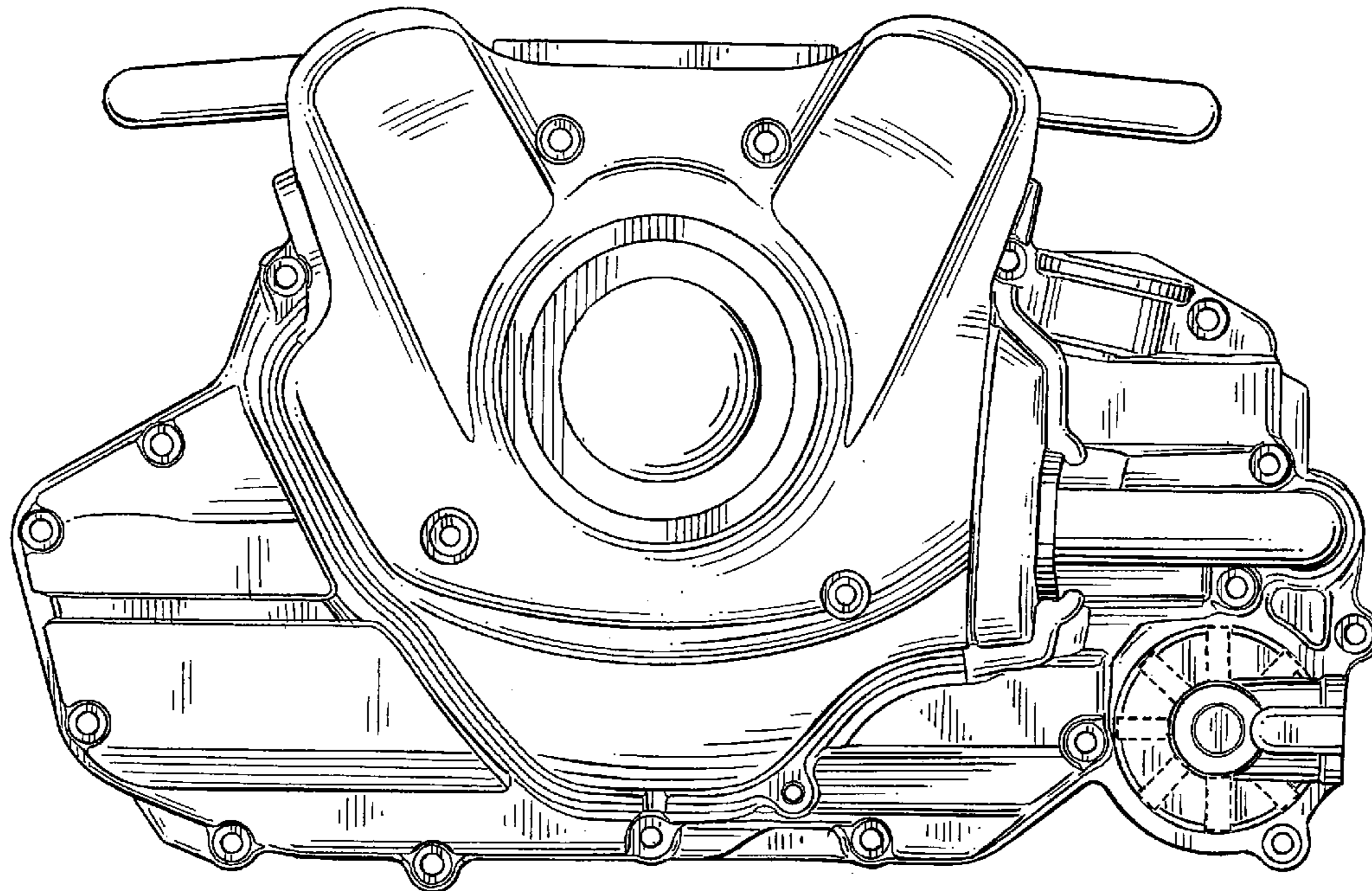
FIG. 5 is a top plan view thereof;

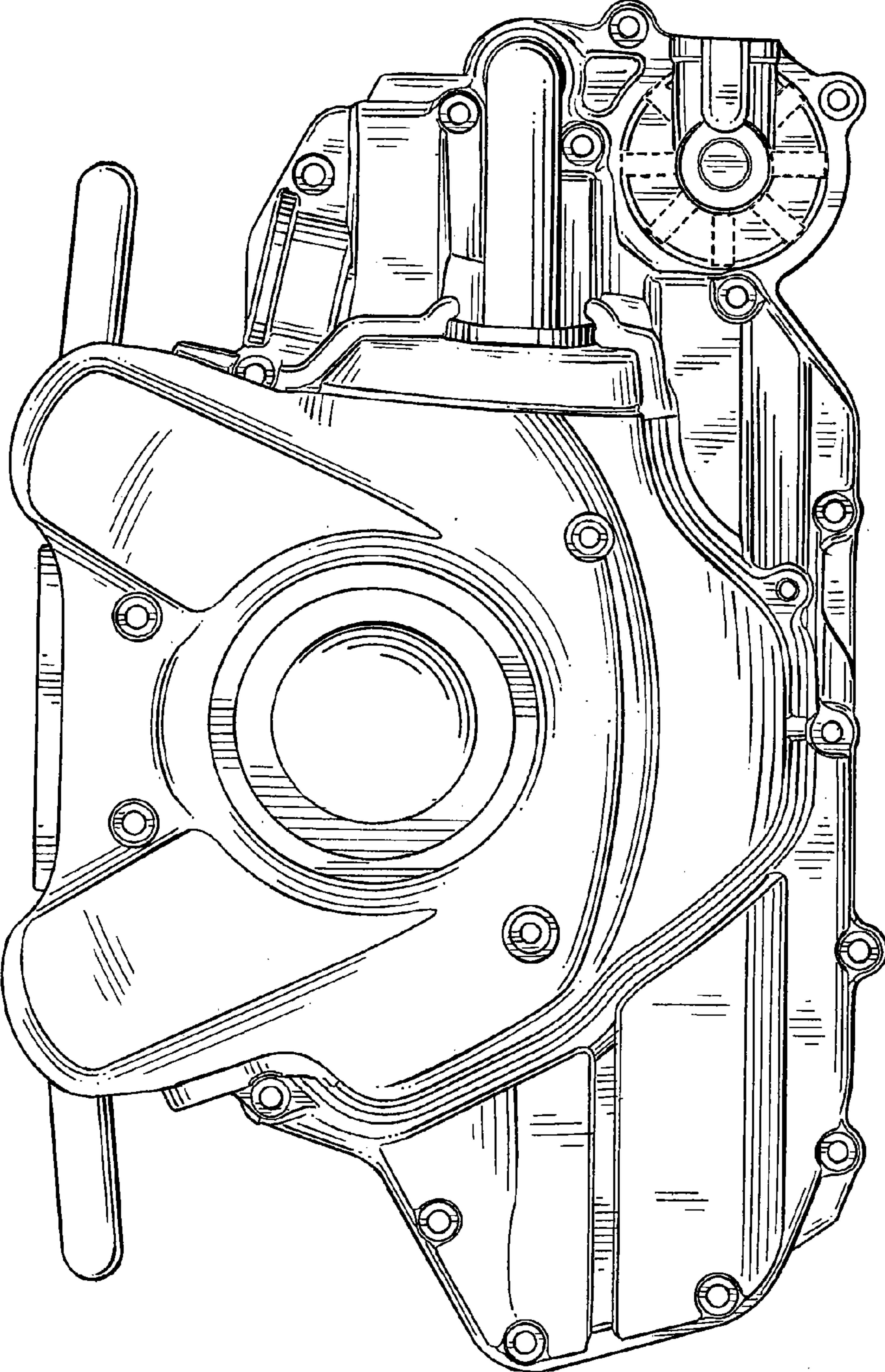
FIG. 6 is a bottom plan view thereof; and,

FIG. 7 is a reference front view of the generator cover for  
motorcycles, shown on a reduced scale and in position of use.

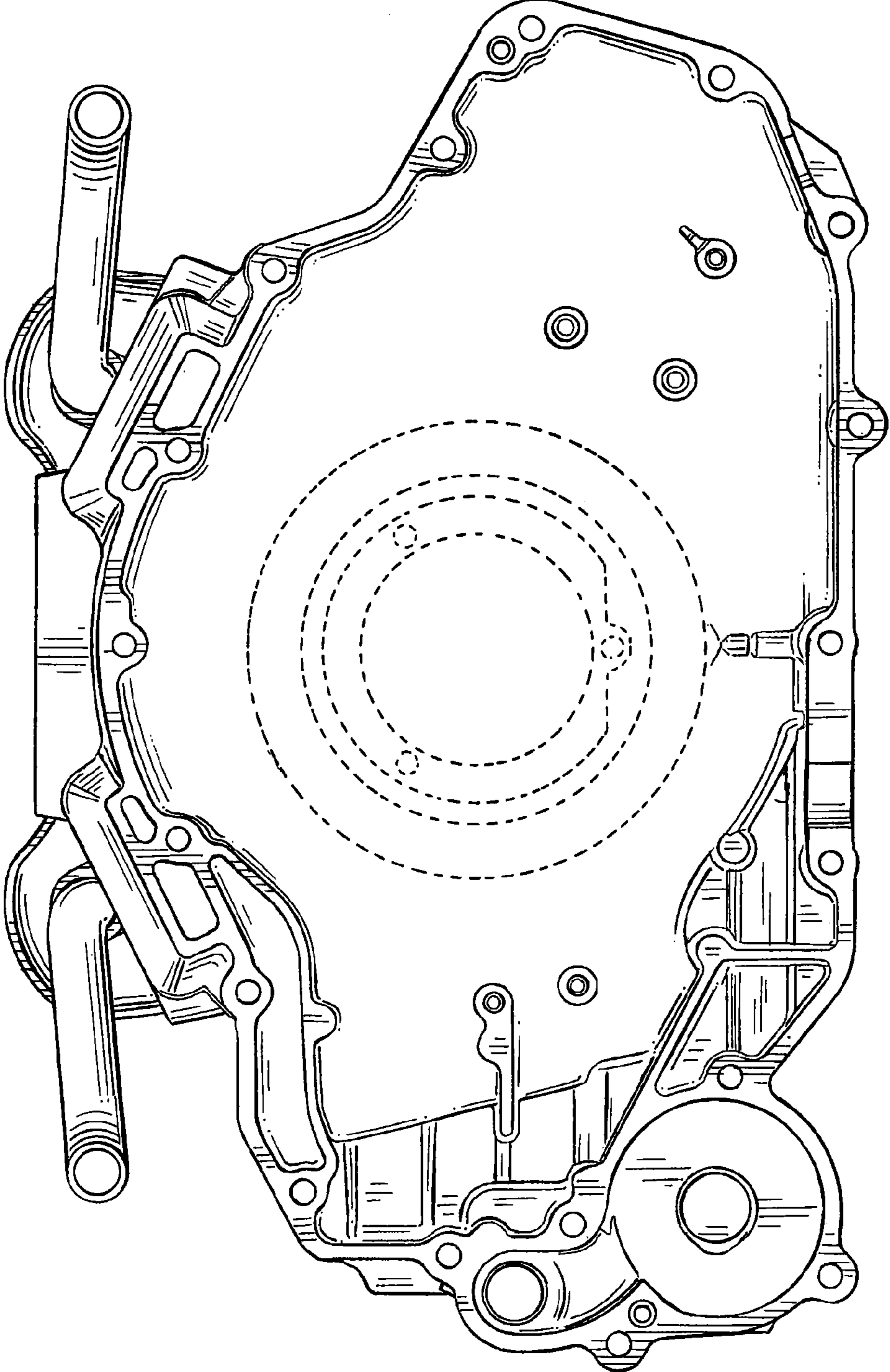
The broken lines in FIGS. 1, 2, 4, 6 and 7 showing the other  
portions of a motorcycle generator cover form no part of the  
claimed design.

**1 Claim, 7 Drawing Sheets**

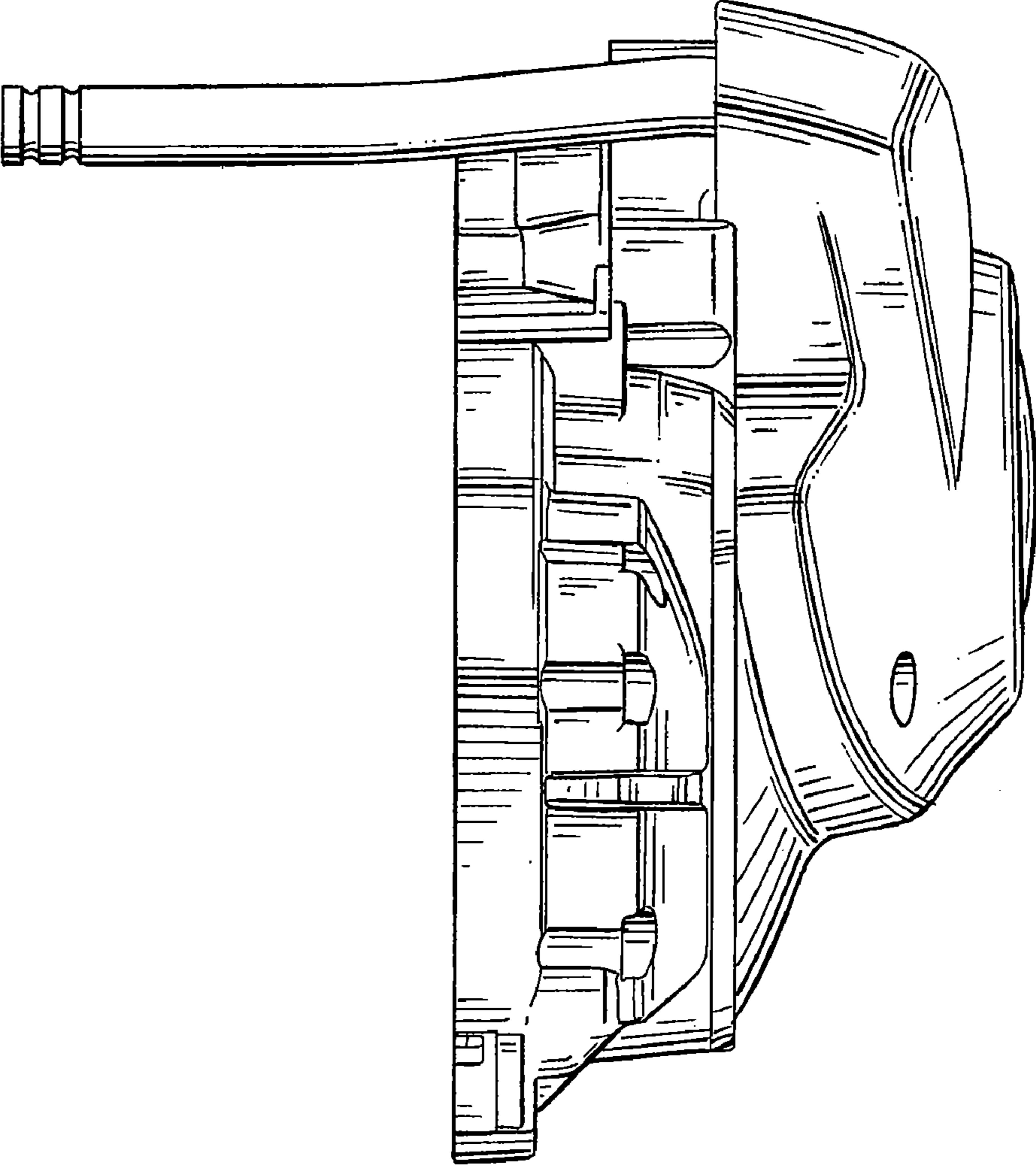




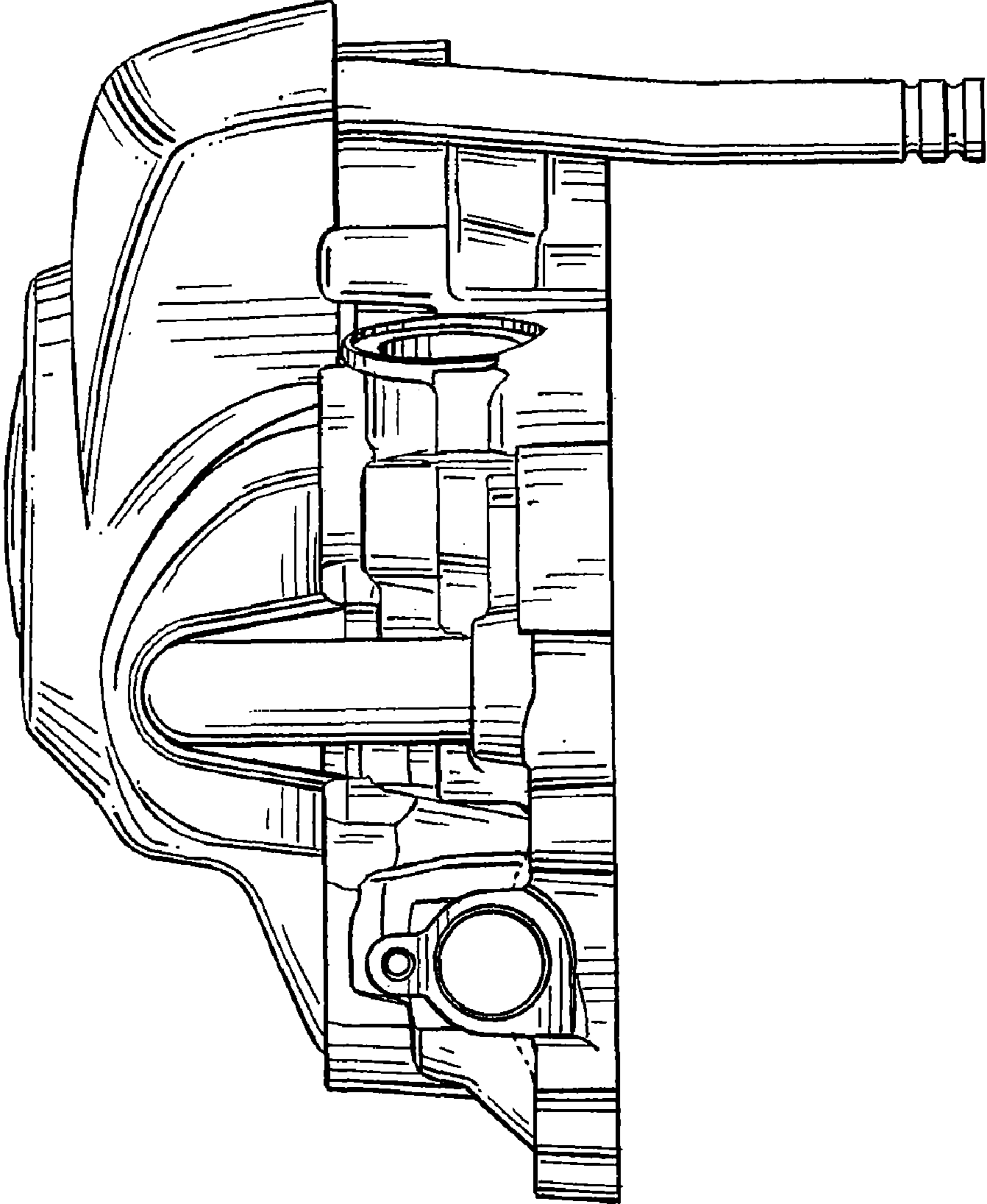
**FIG. 1**



**FIG. 2**



**FIG. 3**



**FIG. 4**

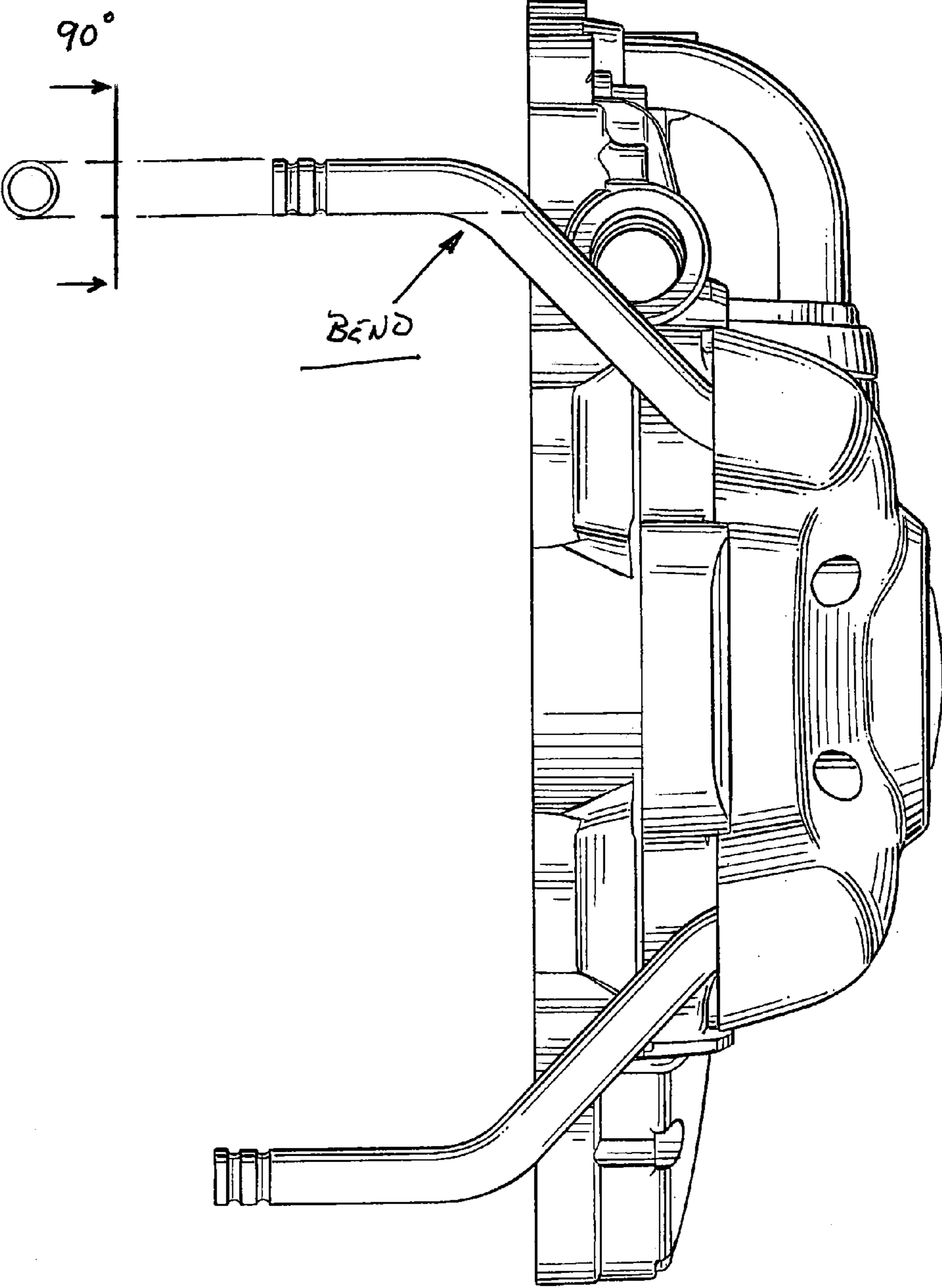
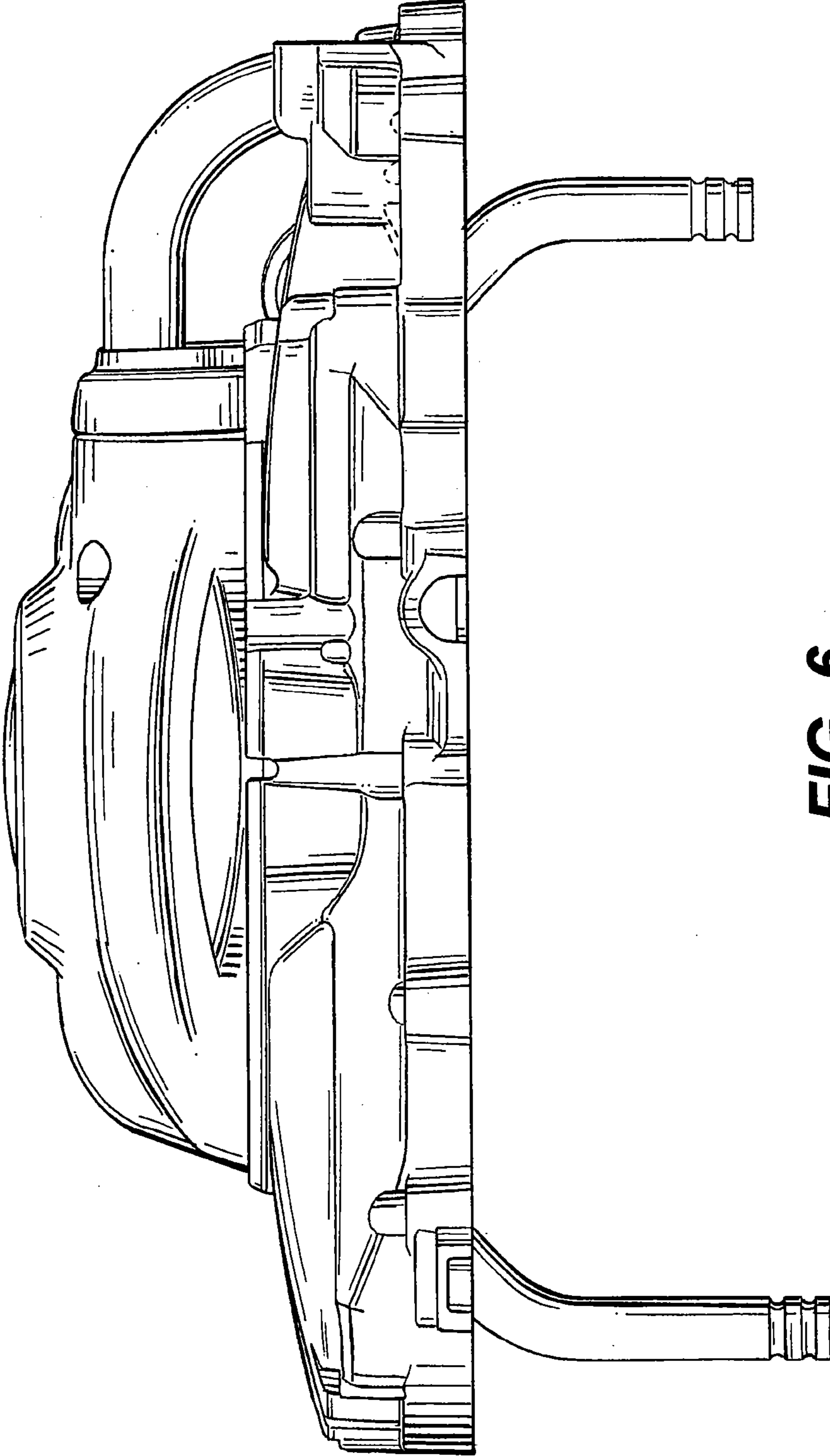
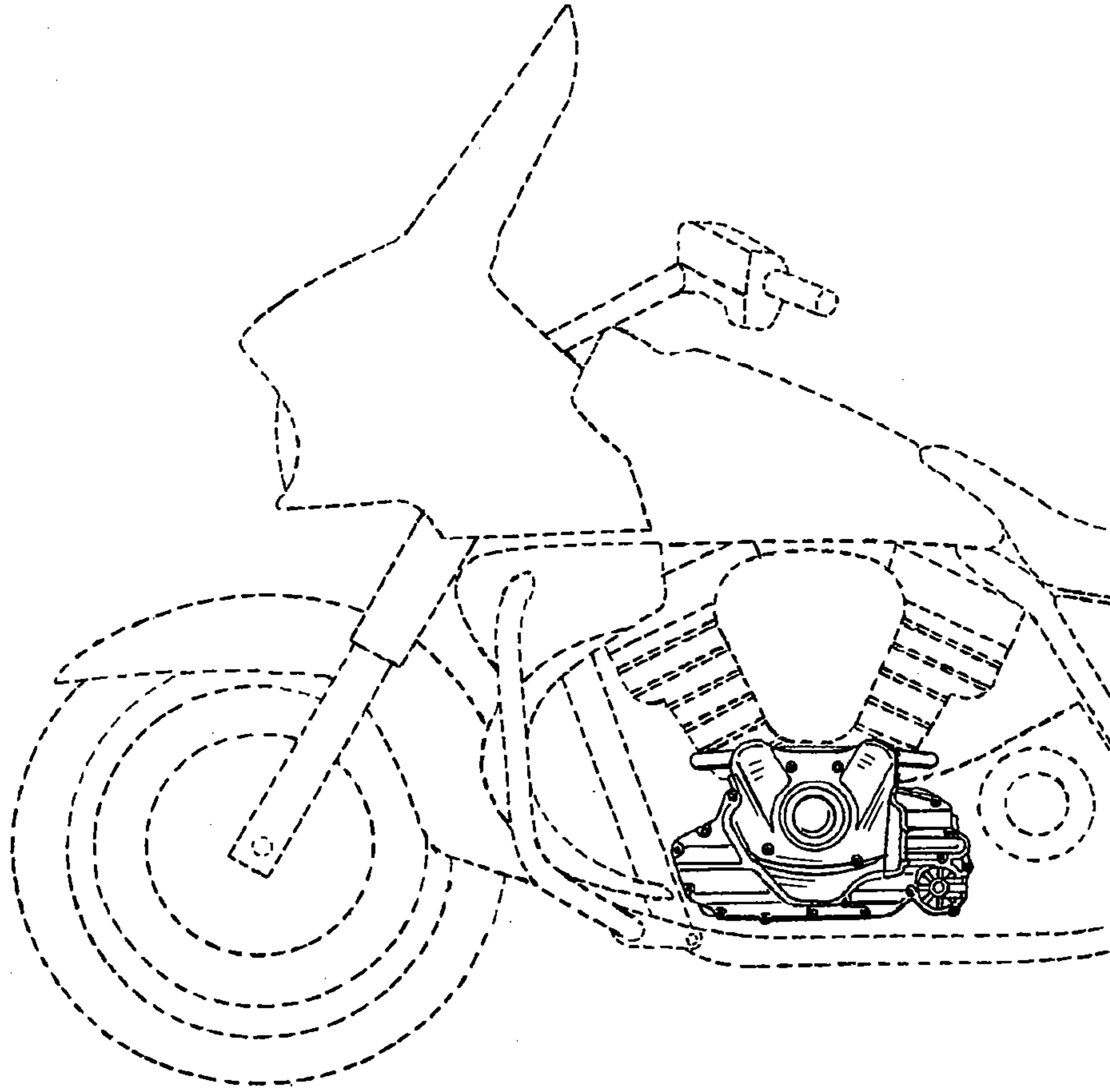


FIG. 5



**FIG. 6**



**FIG. 7**