



US00D623660S

(12) **United States Design Patent**  
**Kieffer et al.**

(10) **Patent No.:** **US D623,660 S**

(45) **Date of Patent:** **\*\* Sep. 14, 2010**

(54) **TURBINE**

(75) Inventors: **Joseph W. Kieffer**, Chanhassen, MN (US); **Richard P. Anderson**, Cedar Lake Township, MN (US); **Eric C. Lagman**, Anderson, SC (US)

(73) Assignee: **Wagner Spray Tech Corporation**, Plymouth, MN (US)

(\*\*) Term: **14 Years**

(21) Appl. No.: **29/343,761**

(22) Filed: **Sep. 18, 2009**

(51) **LOC (9) Cl.** ..... **15-01**

(52) **U.S. Cl.** ..... **D15/1**

(58) **Field of Classification Search** ..... D15/1,  
D15/2, 3, 5, 6, 14, 17, 149, 7; 417/415, 419,  
417/241 R

See application file for complete search history.

(56) **References Cited**

**U.S. PATENT DOCUMENTS**

D270,733 S *	9/1983	Davis	.....	D15/9
D365,569 S	12/1995	Kieffer		
5,550,336 A *	8/1996	Kieffer	.....	181/230
5,556,255 A *	9/1996	Kieffer	.....	415/212.1
5,639,222 A *	6/1997	Kieffer	.....	417/244

5,702,131 A *	12/1997	Kieffer	.....	285/139.3
5,772,711 A *	6/1998	Kieffer	.....	96/421
2008/0095634 A1 *	4/2008	Kieffer	.....	416/241 R

\* cited by examiner

*Primary Examiner*—T. Chase Nelson

*Assistant Examiner*—Ania K Dworzecka

(74) *Attorney, Agent, or Firm*—Christopher J. Volkmann; Westman, Champlin & Kelly, P.A.

(57) **CLAIM**

The ornamental design for a turbine, as shown and described.

**DESCRIPTION**

FIG. 1 is a perspective view of a turbine showing our new design.

FIG. 2 is a front elevation view of the turbine.

FIG. 3 is a rear elevation view of the turbine.

FIG. 4 is a left side elevation view of the turbine.

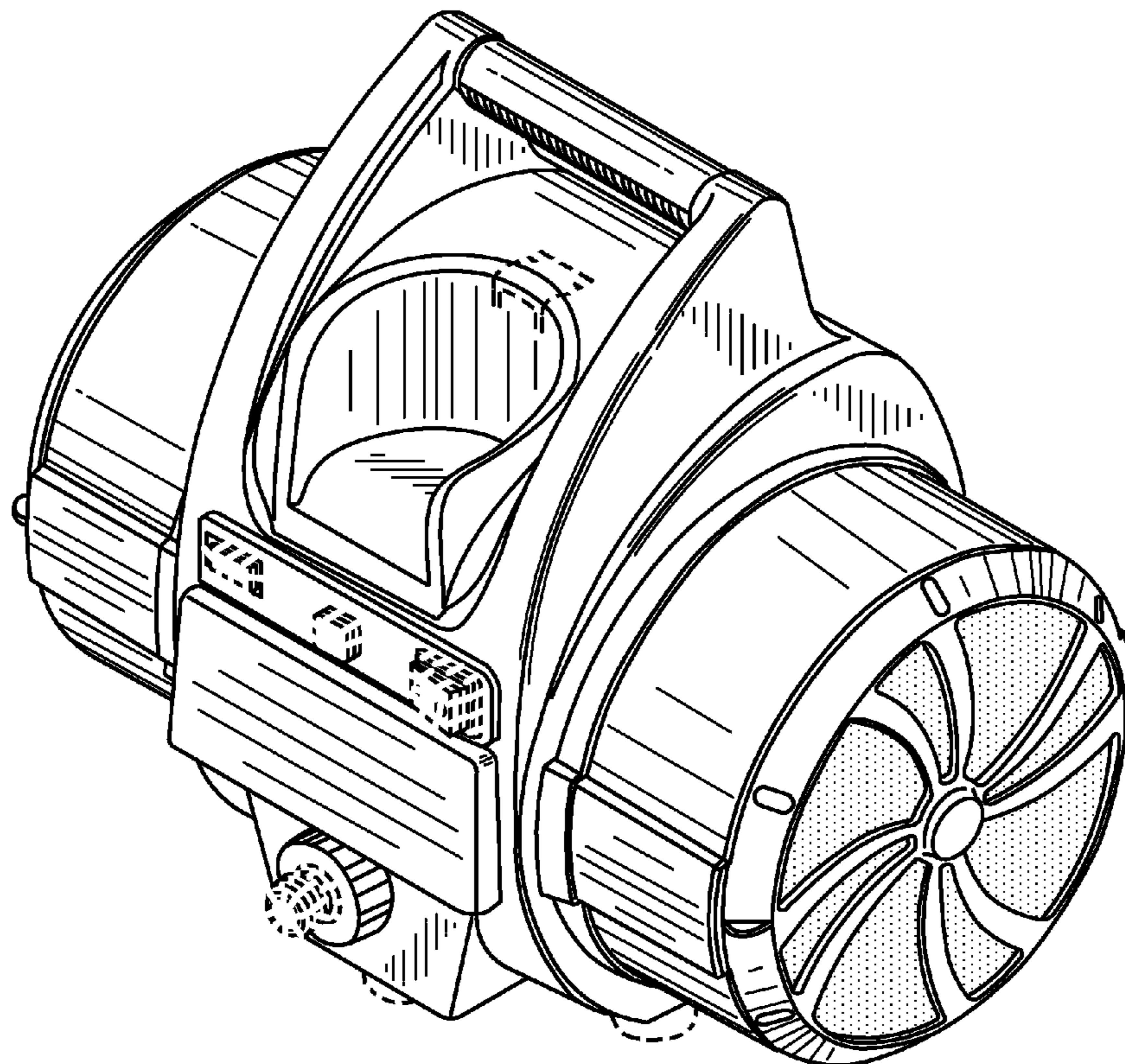
FIG. 5 is a right side elevation view of the turbine.

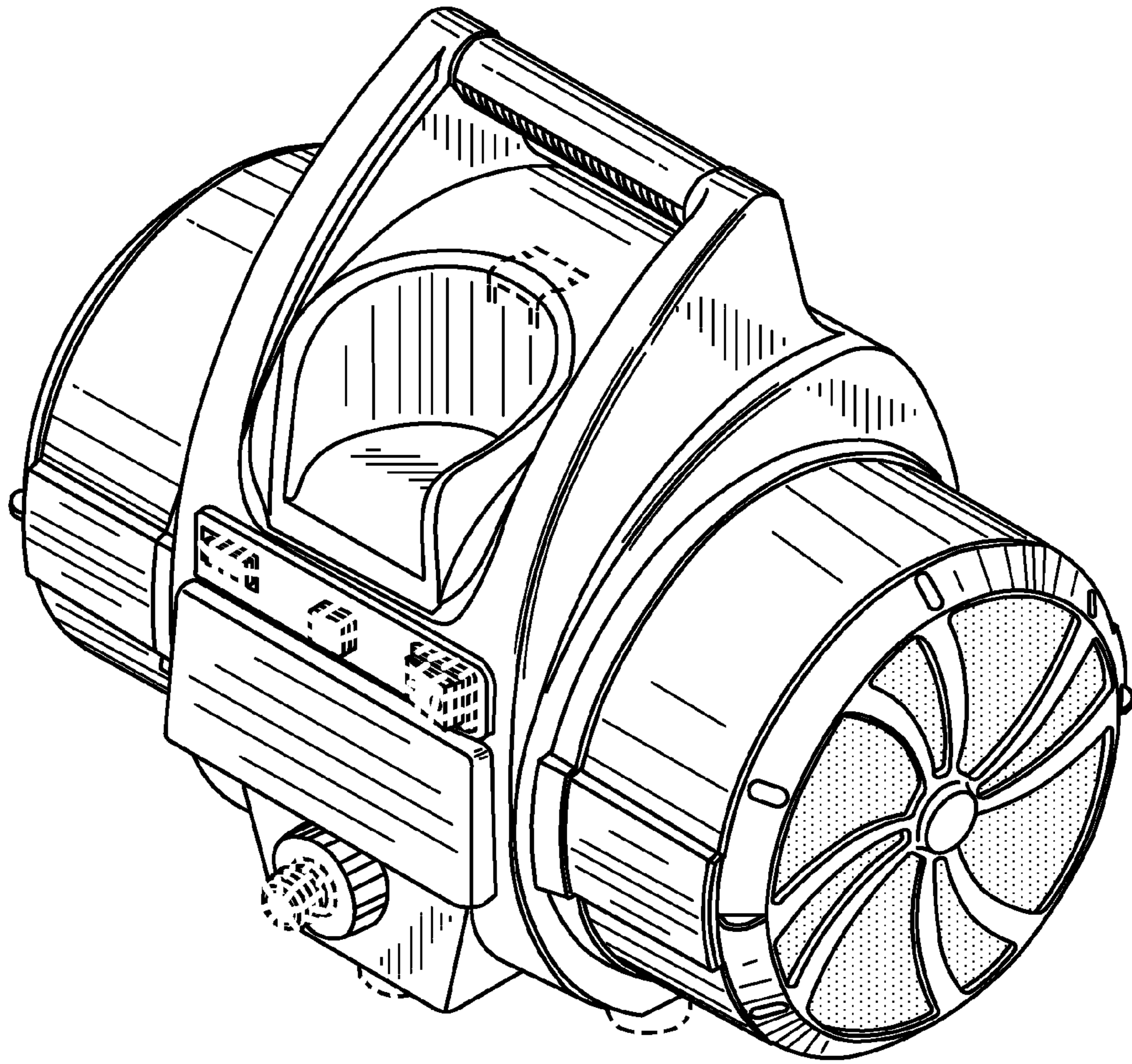
FIG. 6 is a top plan view of the turbine; and,

FIG. 7 is a bottom plan view of the turbine.

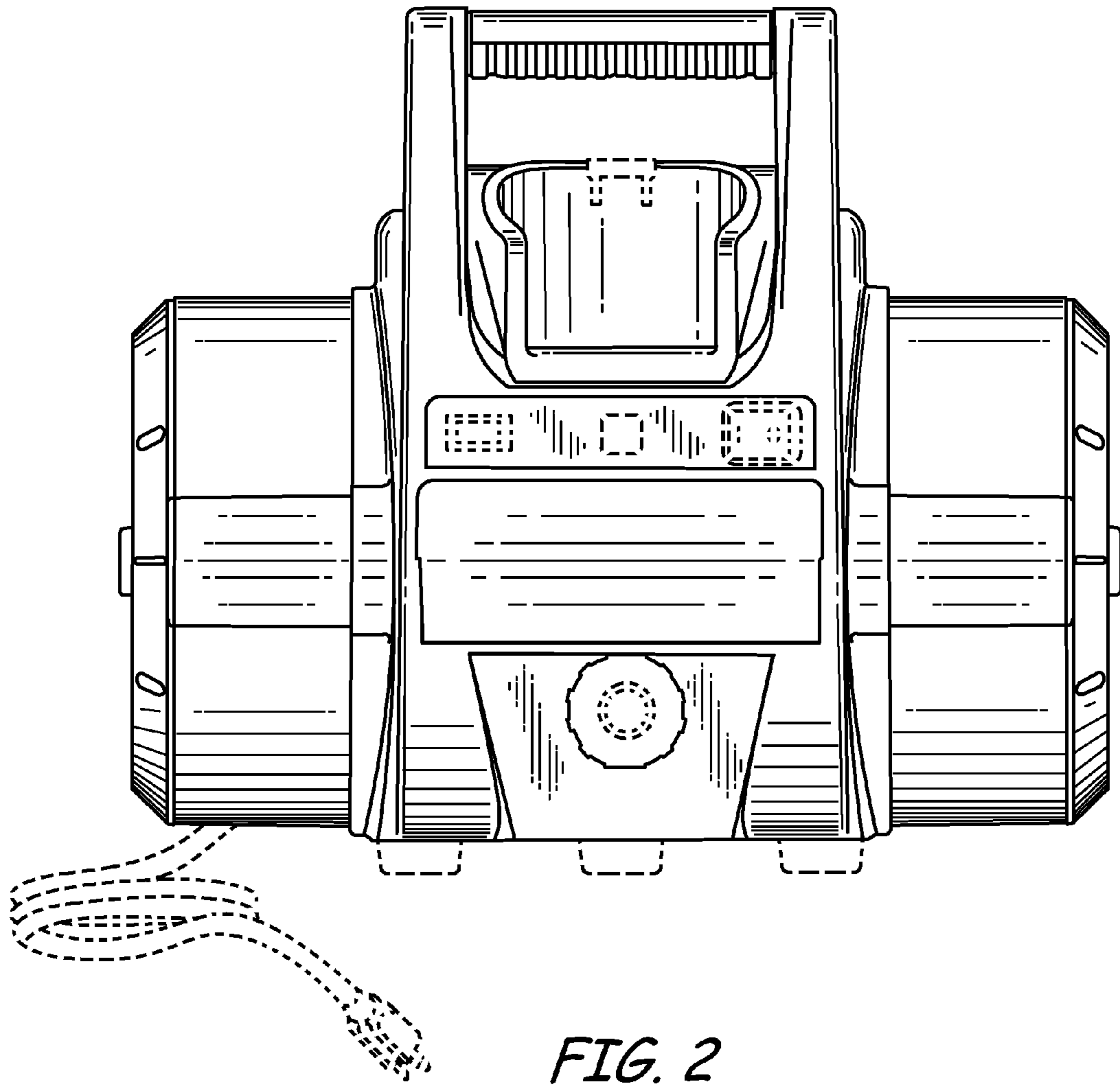
The dotted lines in FIGS. 1-7 do not form any part of the claimed design for the turbine.

**1 Claim, 7 Drawing Sheets**





*FIG. 1*



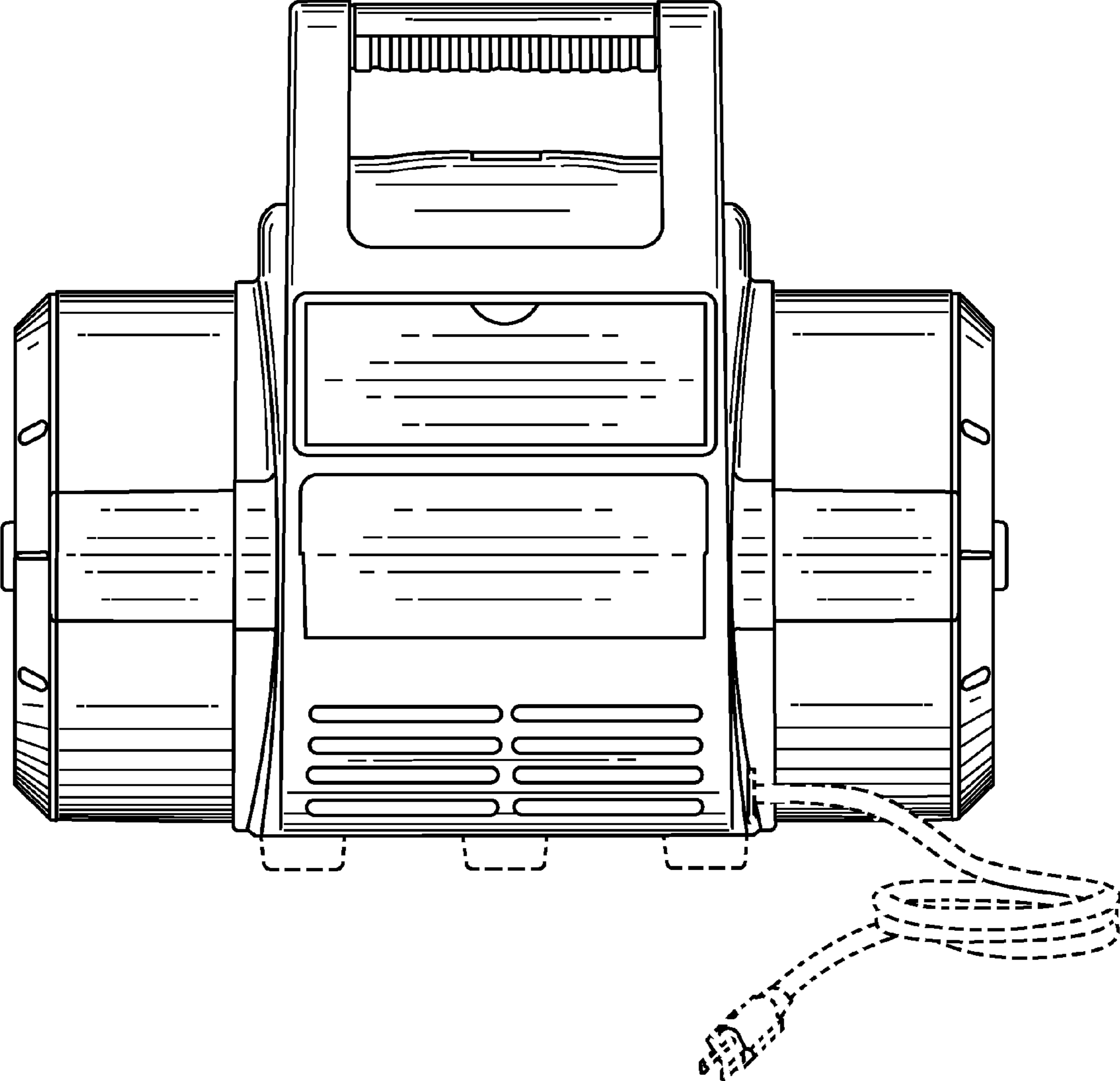


FIG. 3

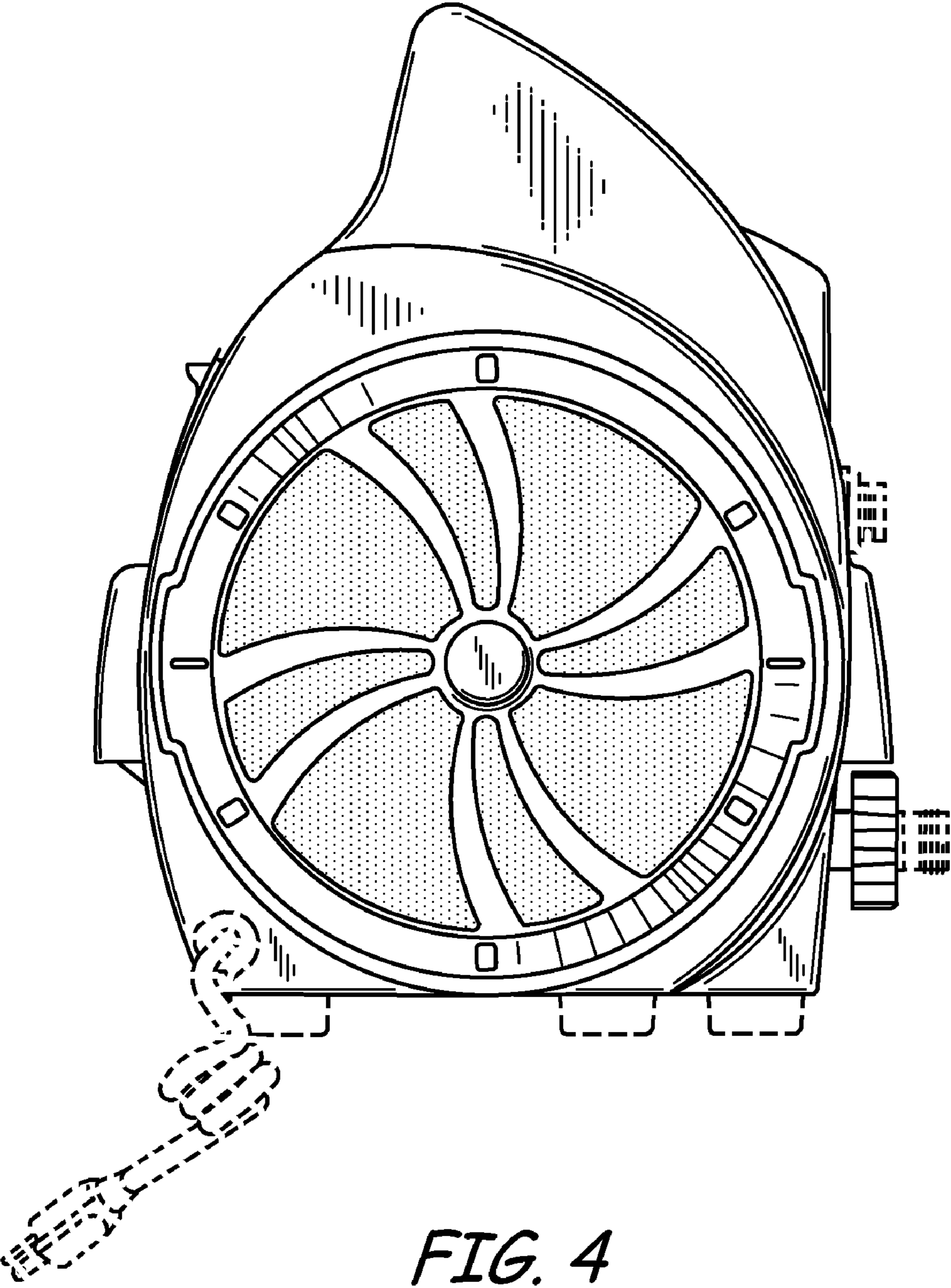


FIG. 4

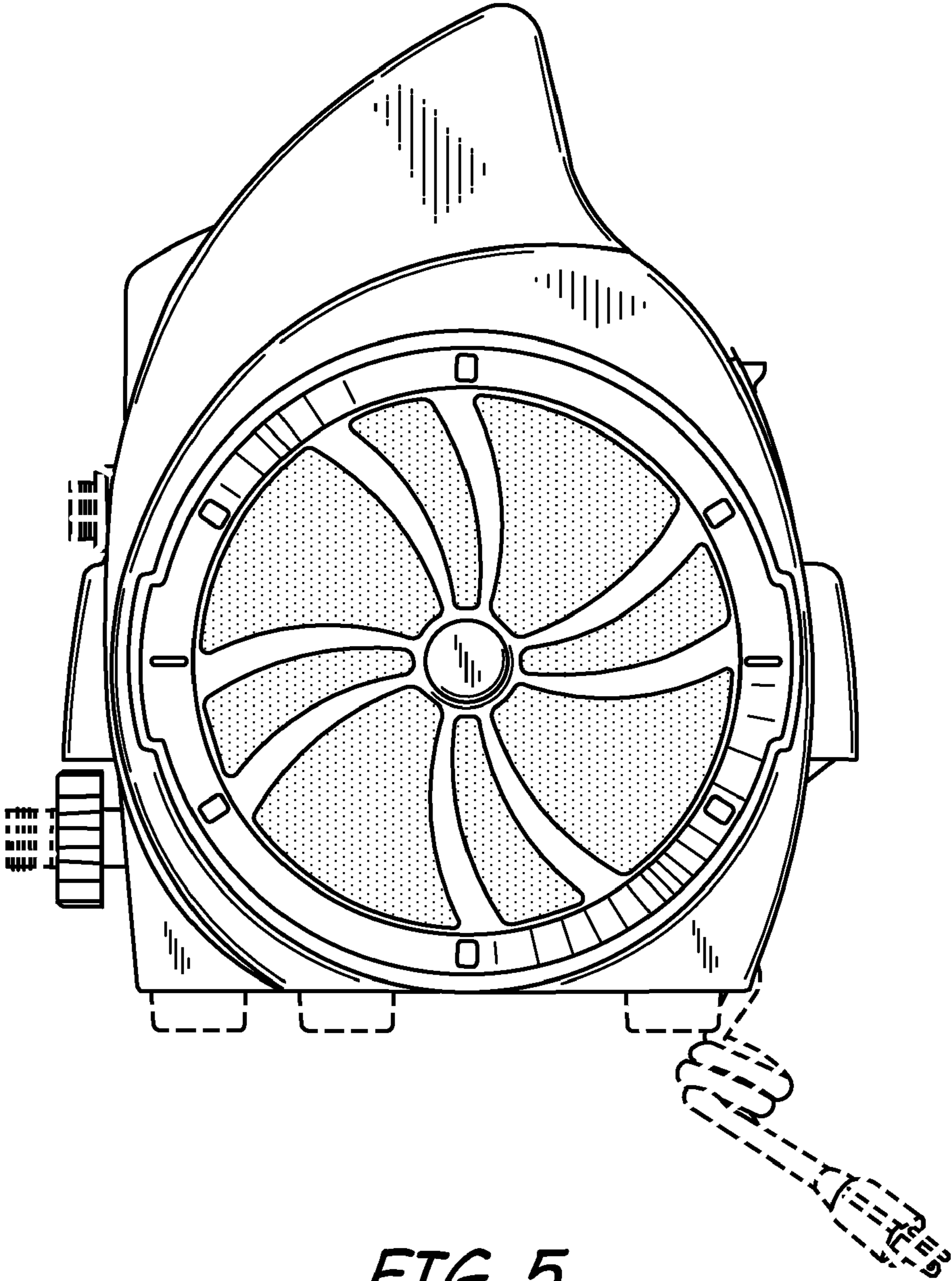


FIG. 5

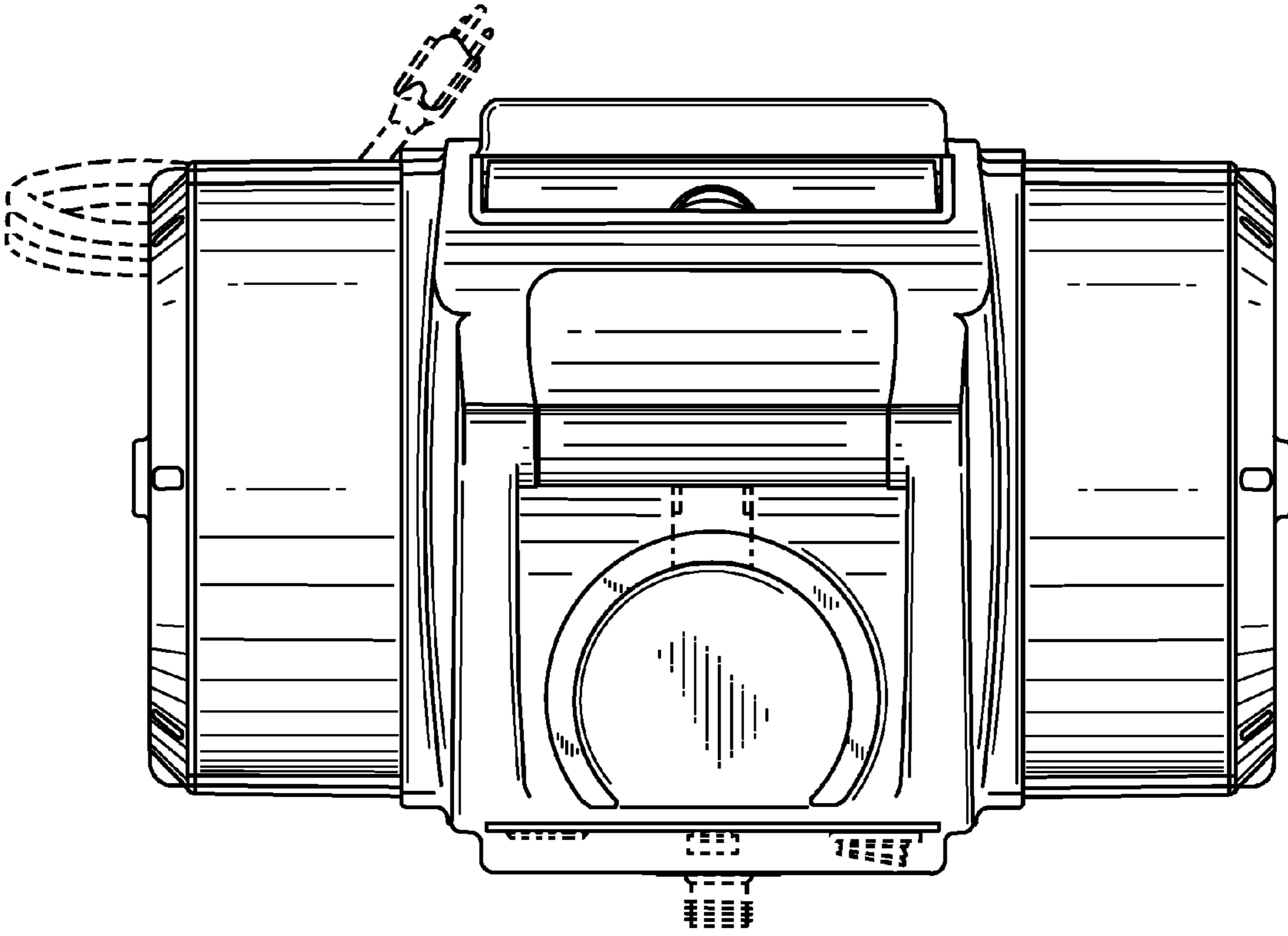


FIG. 6

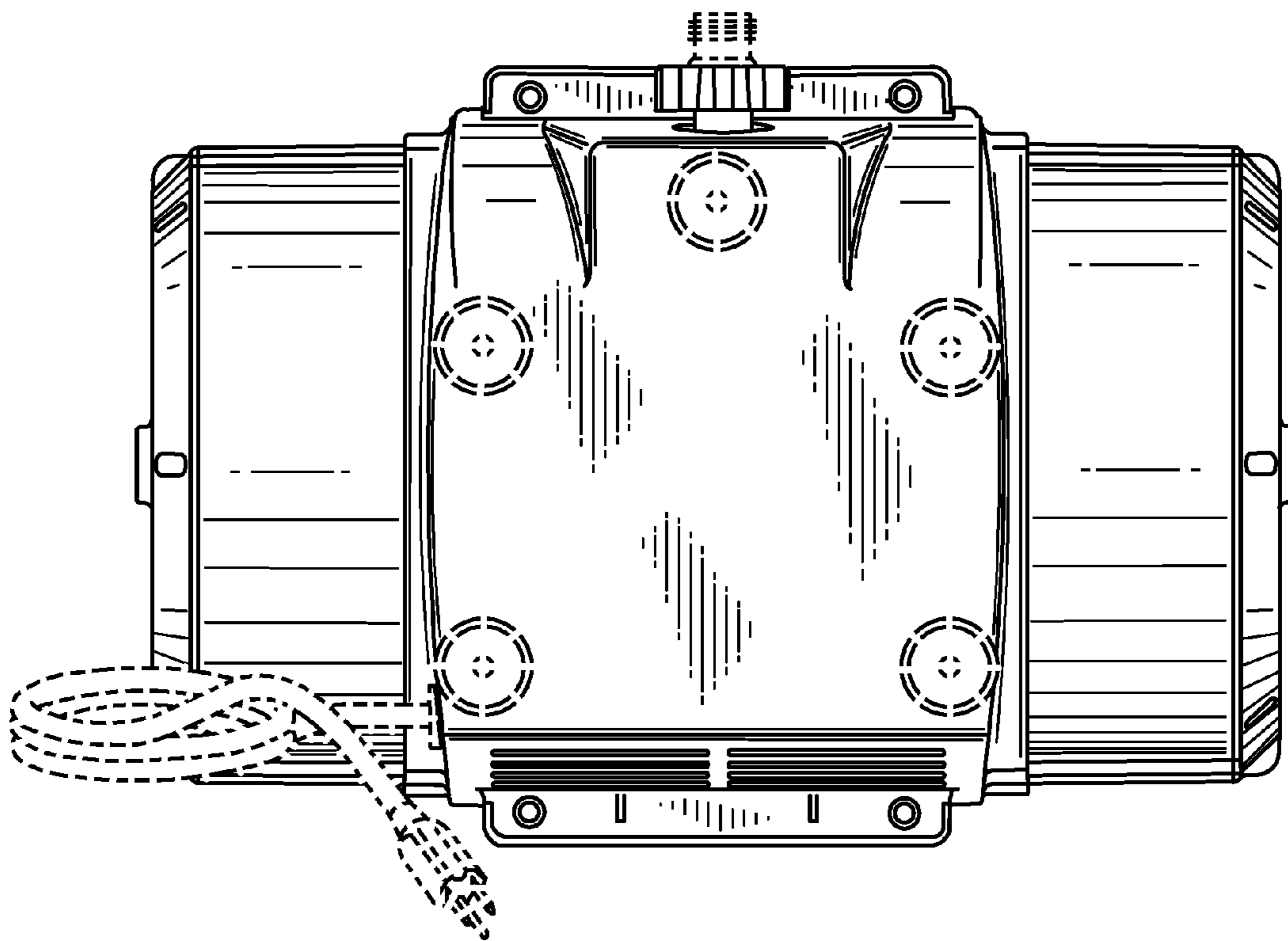


FIG. 7