



US00D623653S

(12) **United States Design Patent**  
**Okoshi et al.**

(10) **Patent No.:** **US D623,653 S**

(45) **Date of Patent:** **\*\* Sep. 14, 2010**

(54) **DISPLAY**

(75) Inventors: **Yoichiro Okoshi**, Minato-ku (JP); **Jieren Cheng**, Zhonghe (TW)

(73) Assignee: **NEC Display Solutions, Ltd.**, Tokyo (JP)

(\*\*) Term: **14 Years**

(21) Appl. No.: **29/343,295**

(22) Filed: **Sep. 10, 2009**

(30) **Foreign Application Priority Data**

Mar. 30, 2009 (JP) ..... 2009-007204

(51) **LOC (9) Cl.** ..... **14-02**

(52) **U.S. Cl.** ..... **D14/450**

(58) **Field of Classification Search** ..... D14/448,  
D14/449, 450, 451, 452, 432, 439, 440, 305,  
D14/306, 307, 336, 339, 340, 356, 371, 372,  
D14/373, 374, 375, 376, 377, 378, 379, 380,  
D14/381, 382, 125, 126, 127, 128, 129, 239;  
D6/300, 308; D3/218, 271.2; D19/26, 27,  
D19/32, 33; 348/794, 832; 361/679.21;  
248/917, 918, 919, 920, 921, 922, 923, 924,  
248/442.2; 345/32, 609, 738; 349/58; 206/320;  
40/765, 771

See application file for complete search history.

(56) **References Cited**

**U.S. PATENT DOCUMENTS**

D393,636 S \* 4/1998 Jones et al. .... D14/450  
D424,546 S \* 5/2000 Aeschbacher et al. .... D14/450  
D469,432 S \* 1/2003 Tsuji ..... D14/375  
D517,551 S \* 3/2006 Kim et al. .... D14/375

D519,117 S \* 4/2006 Lewis ..... D14/374  
D527,382 S \* 8/2006 Liao ..... D14/375  
D558,200 S \* 12/2007 Tsai ..... D14/375  
D578,531 S \* 10/2008 Ding et al. .... D14/375  
D587,712 S \* 3/2009 Park et al. .... D14/375  
D600,695 S \* 9/2009 Niitsu et al. .... D14/371  
D601,147 S \* 9/2009 Ding et al. .... D14/375  
D603,814 S \* 11/2009 Yang et al. .... D14/126  
D604,735 S \* 11/2009 Hirasawa et al. .... D14/375

\* cited by examiner

*Primary Examiner*—Jennifer Rivard

*Assistant Examiner*—Angela J Lee

(74) *Attorney, Agent, or Firm*—Sughrue Mion, PLLC

(57) **CLAIM**

The ornamental design for a display, as shown and described.

**DESCRIPTION**

FIG. 1 is a front, right side, top perspective view of a display showing our new design;

FIG. 2 is a front elevational view thereof;

FIG. 3 is a rear elevational view thereof;

FIG. 4 is a left side view thereof;

FIG. 5 is a right side view thereof;

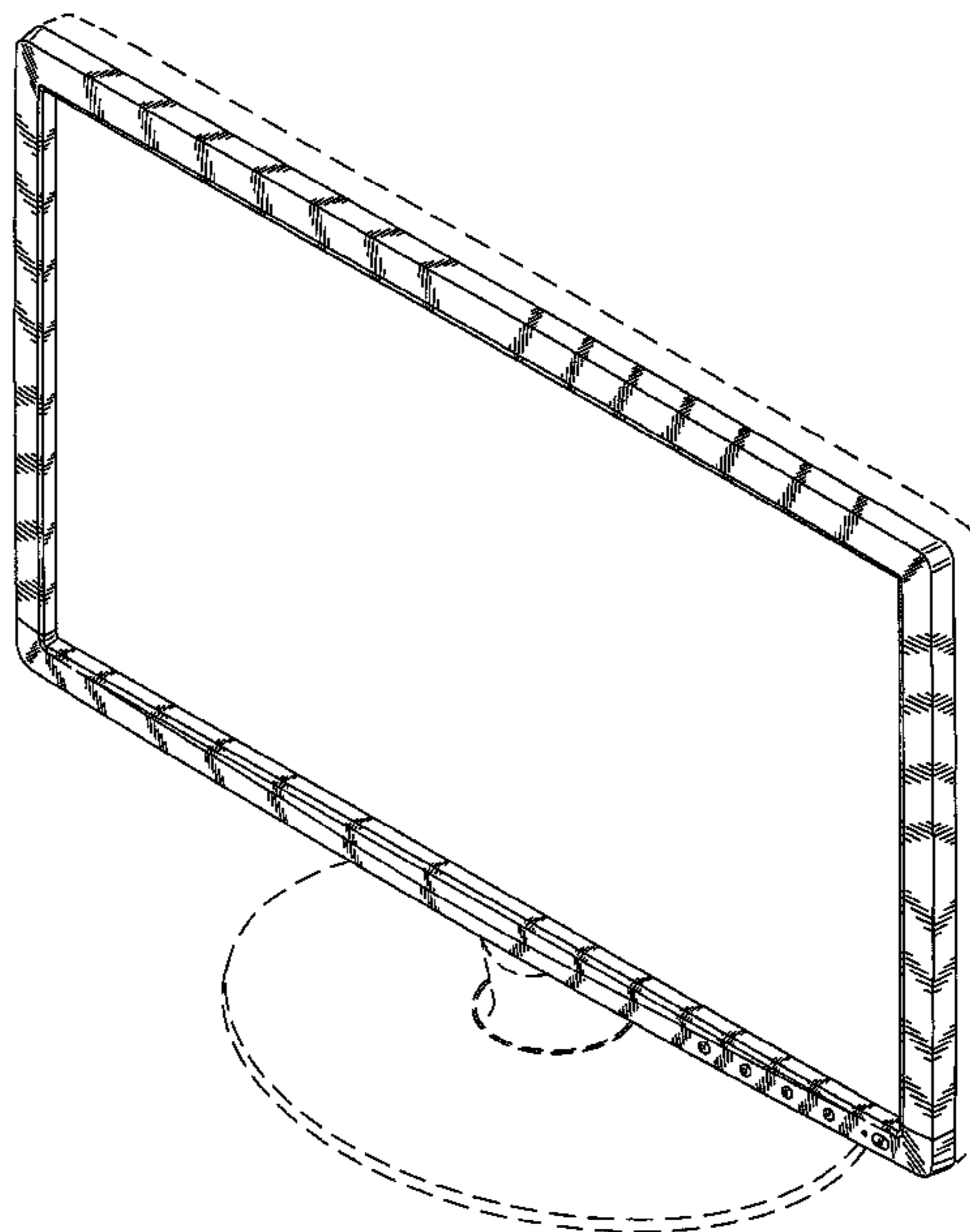
FIG. 6 is a top plan view thereof;

FIG. 7 is a bottom plan view thereof; and,

FIG. 8 is a cross-sectional view thereof, taken along line 8—8 of FIG. 2.

The portions of the display in broken lines are shown for illustrative purposes only and form no part of the claimed design.

**1 Claim, 7 Drawing Sheets**



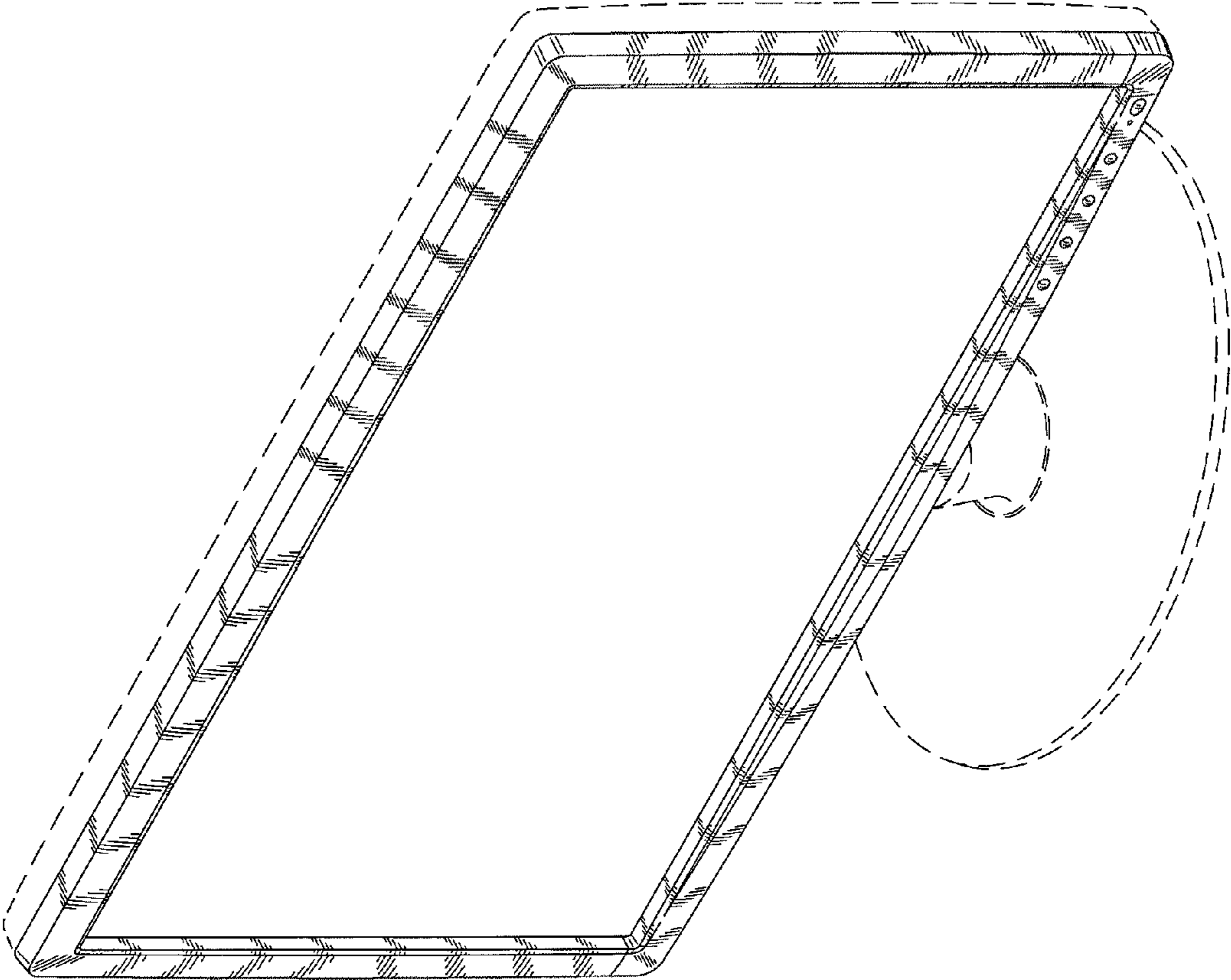


FIG. 1

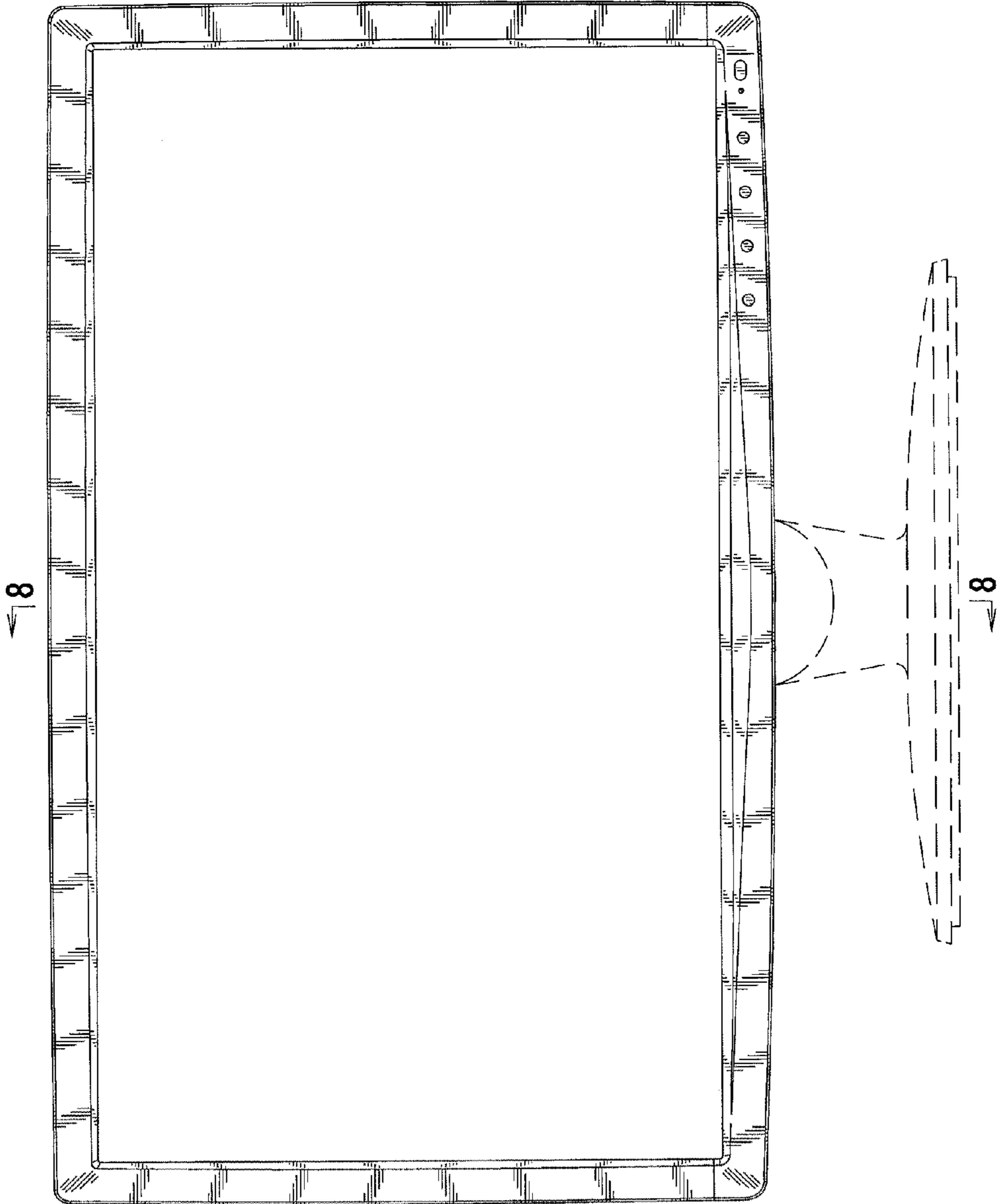


FIG. 2

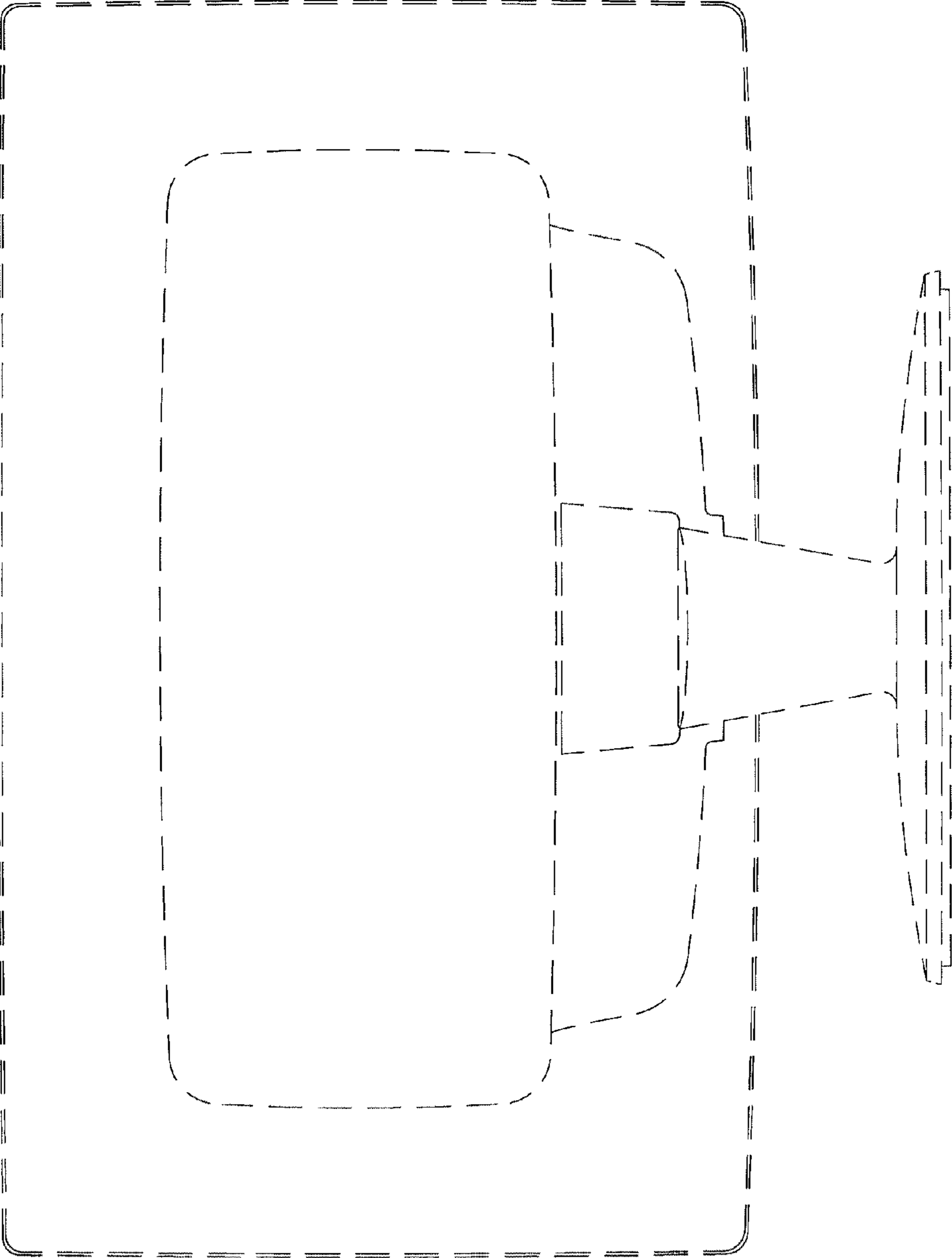


FIG. 3

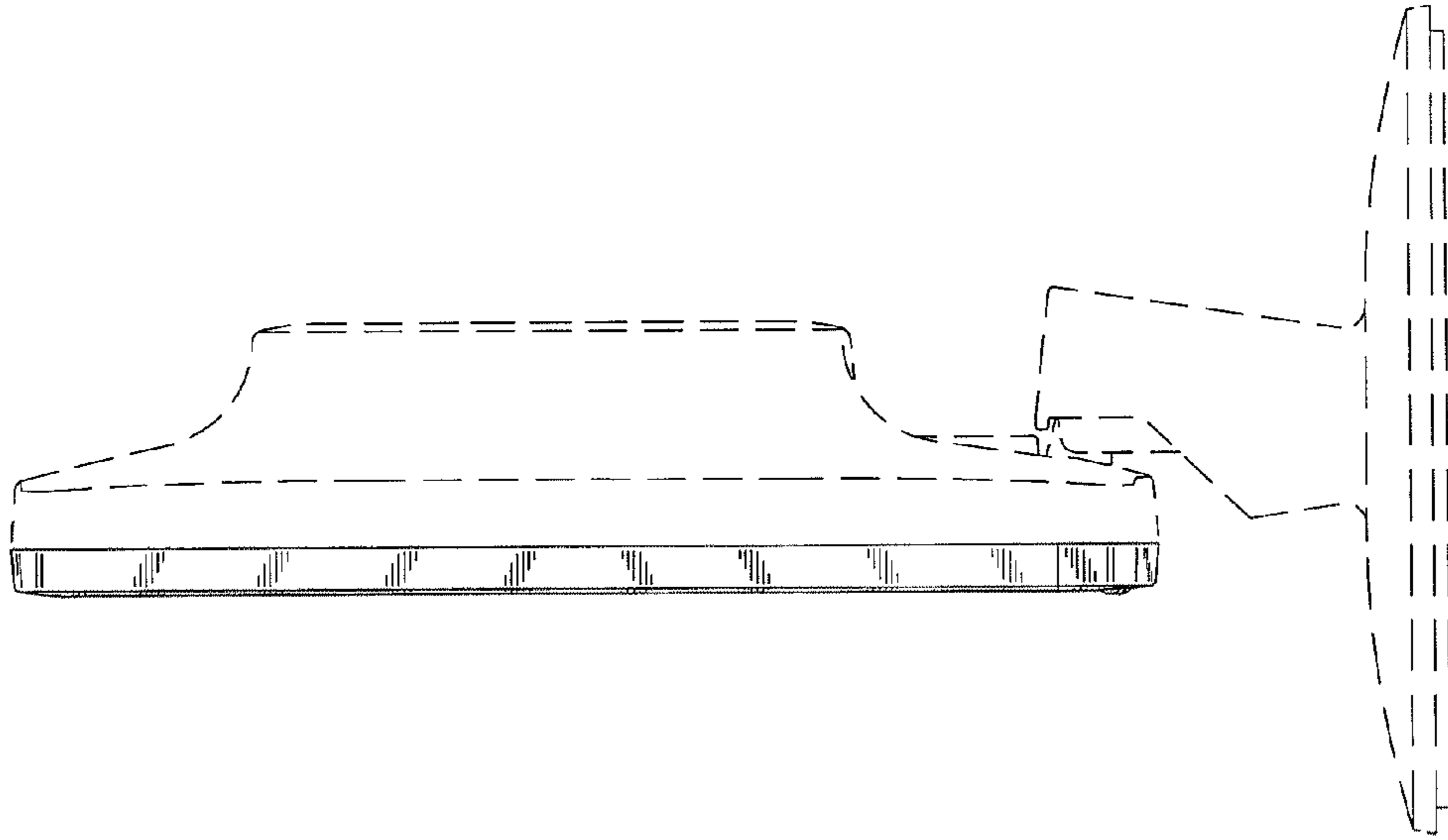


FIG. 5

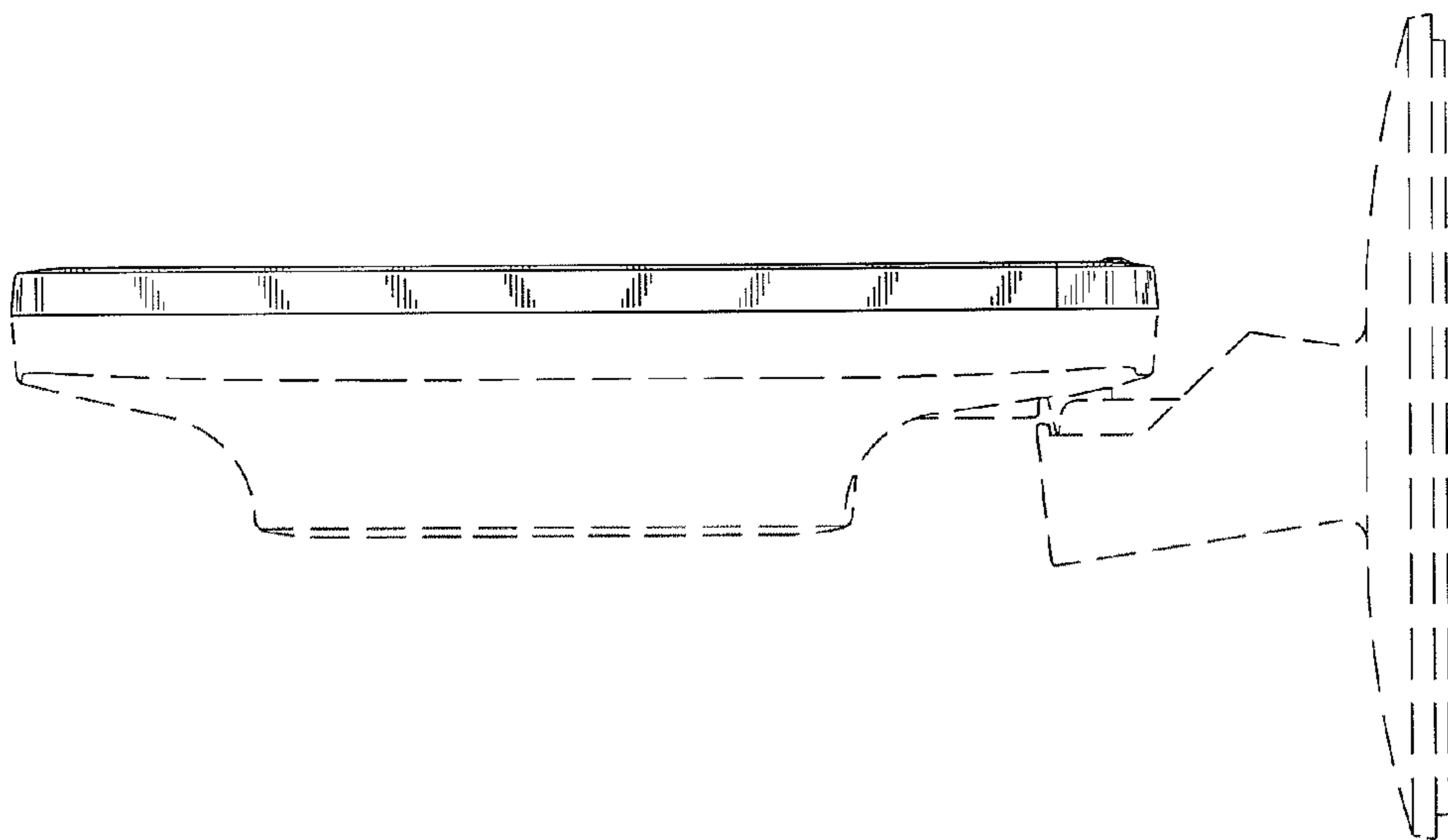
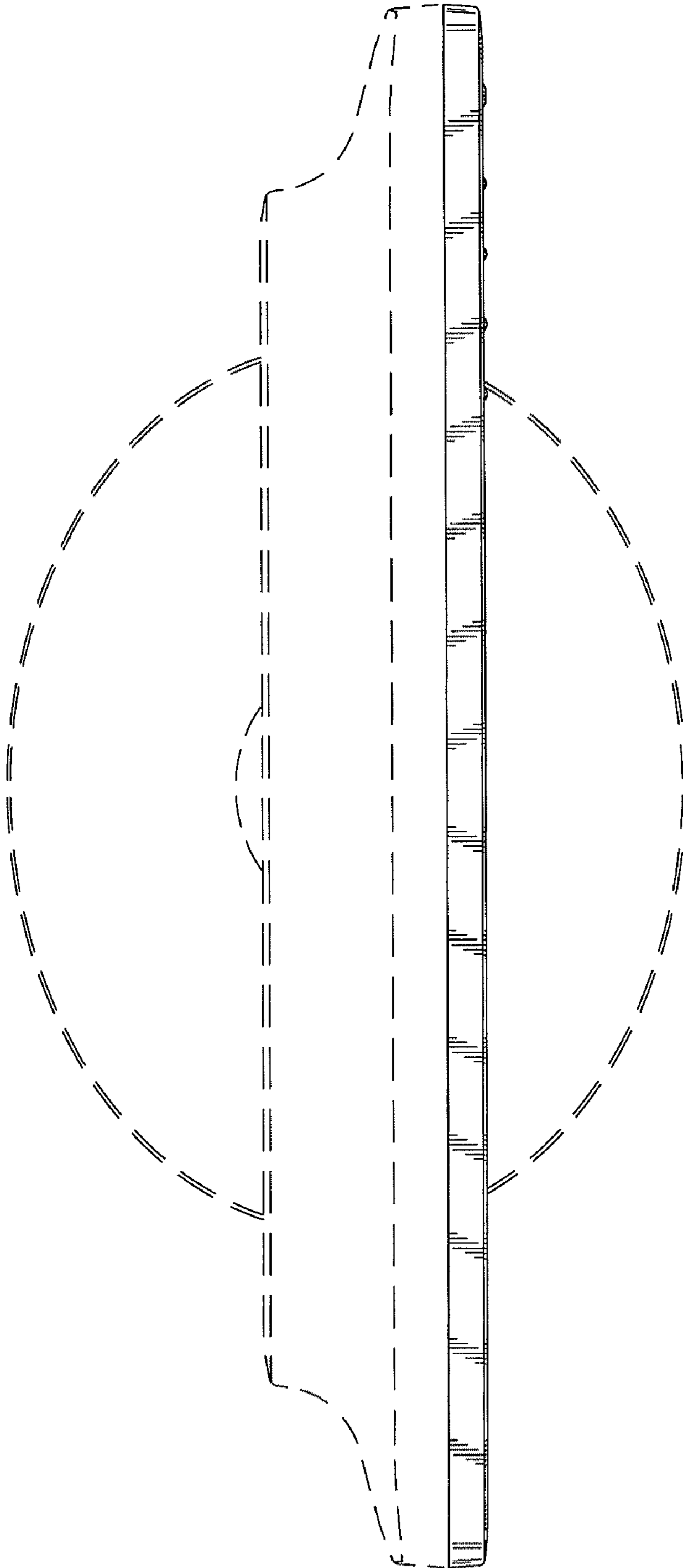


FIG. 4



**FIG. 6**

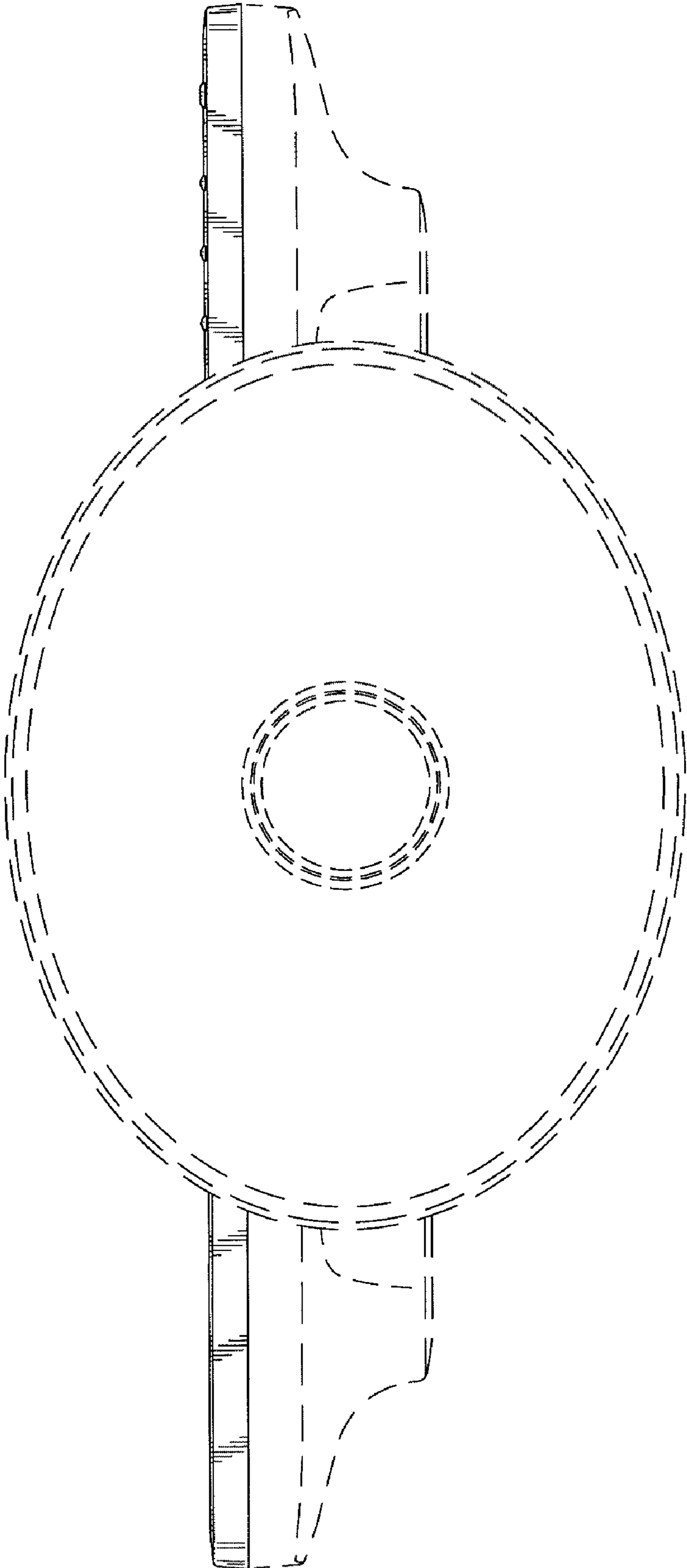


FIG. 7

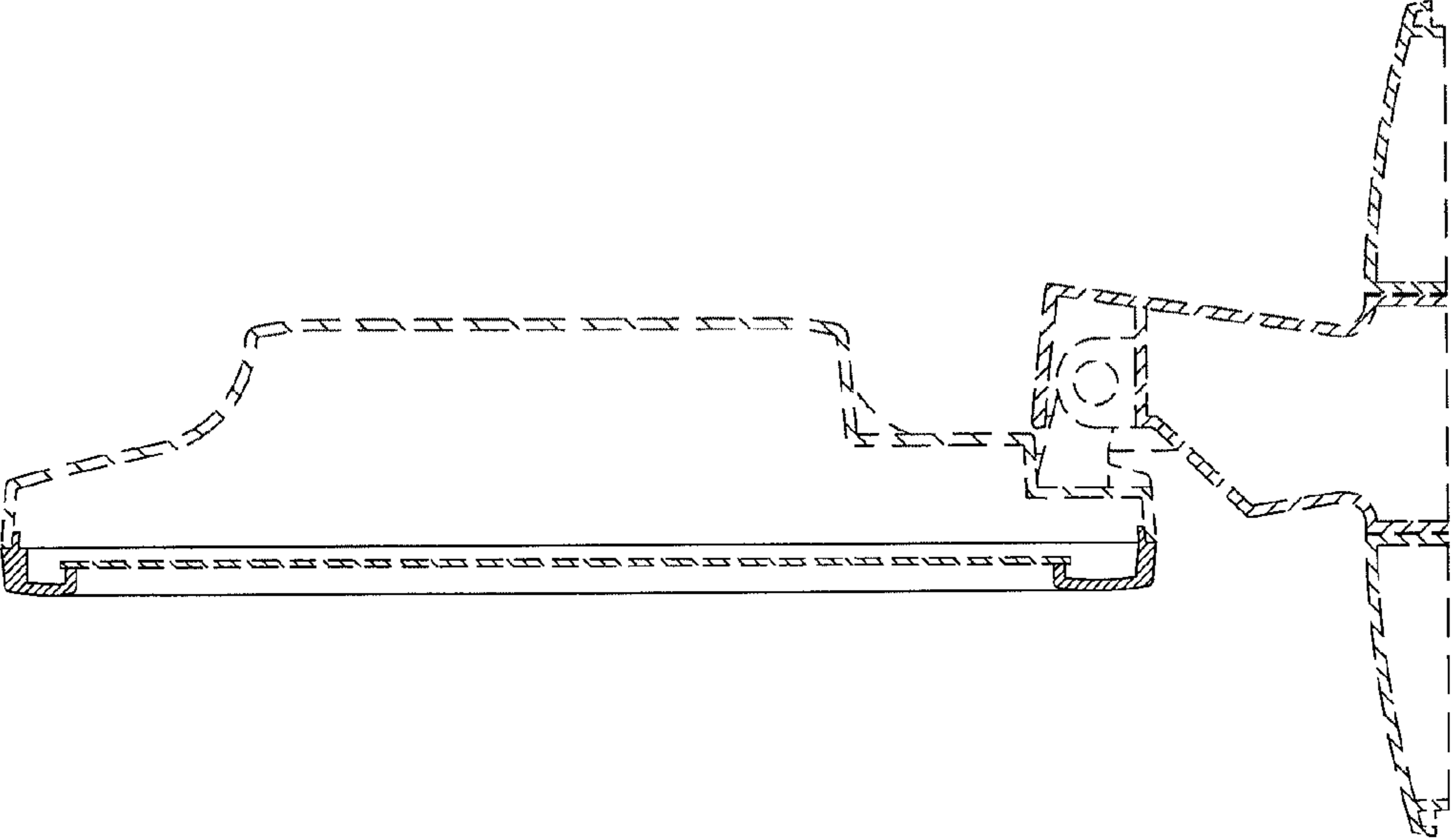


FIG. 8