



US00D623651S

(12) **United States Design Patent**
Hsu

(10) **Patent No.:** **US D623,651 S**
(45) **Date of Patent:** **** Sep. 14, 2010**

(54) **IMPACT PROTECTING CORNER**
(75) Inventor: **Hsiao-Jung Hsu**, Taipei County (TW)
(73) Assignee: **Getac Technology Corporation**,
Hsinchu (TW)
(**) Term: **14 Years**
(21) Appl. No.: **29/351,442**
(22) Filed: **Dec. 5, 2009**
(30) **Foreign Application Priority Data**
Sep. 25, 2009 (CN) 2009 3 0237088

(51) **LOC (9) Cl.** **14-02**
(52) **U.S. Cl.** **D14/439; D14/250; D14/218**
(58) **Field of Classification Search** D14/314,
D14/315, 341, 356, 432, 439-446, 448-450,
D14/453, 454, 471, 474, 483, 484.1, 496,
D14/217, 238.1, 239, 250, 251, 299; D8/400-403;
D3/201, 318, 321, 322, 218; 52/287.1; 248/345.1,
248/309.1; 206/453; 361/679.56, 679.55,
361/679.26, 679.3; 455/575.8
See application file for complete search history.

(56) **References Cited**
U.S. PATENT DOCUMENTS
2,266,181 A * 12/1941 Epps 206/544
3,762,626 A * 10/1973 Dorsey 206/586
D284,268 S * 6/1986 Dallaire et al. D8/402
D301,953 S * 7/1989 Evenson D6/491
D325,835 S * 5/1992 Sollner D8/403
D346,957 S * 5/1994 Savic D8/403
D385,179 S * 10/1997 Brandes D8/403
D389,158 S * 1/1998 Oross D14/250
D416,684 S * 11/1999 Nykoluk D3/321
D431,772 S * 10/2000 Tsui D8/403
D436,349 S * 1/2001 Kim D14/203.3

D442,182 S * 5/2001 Oross D14/439
6,470,637 B2 * 10/2002 Gratz 52/287.1
D468,135 S * 1/2003 Ashby et al. D14/505
6,616,111 B1 * 9/2003 White 248/309.1
D487,205 S * 3/2004 Mower et al. D6/491
D492,306 S * 6/2004 Martin et al. D14/346
D494,593 S * 8/2004 Wulff et al. D14/429
D567,239 S * 4/2008 Perrier et al. D14/356
7,350,646 B2 * 4/2008 Durrant 206/586
7,413,157 B2 * 8/2008 Curnow et al. 248/345.1
D581,151 S * 11/2008 Aipa D3/201
D598,756 S * 8/2009 Robichaud et al. D9/456
D602,933 S * 10/2009 Huang et al. D14/346
2002/0085342 A1 * 7/2002 Chen et al. 361/683
2007/0039848 A1 * 2/2007 Burchell 206/453

* cited by examiner

Primary Examiner—Stella M Reid
Assistant Examiner—Deanna Fluegeman

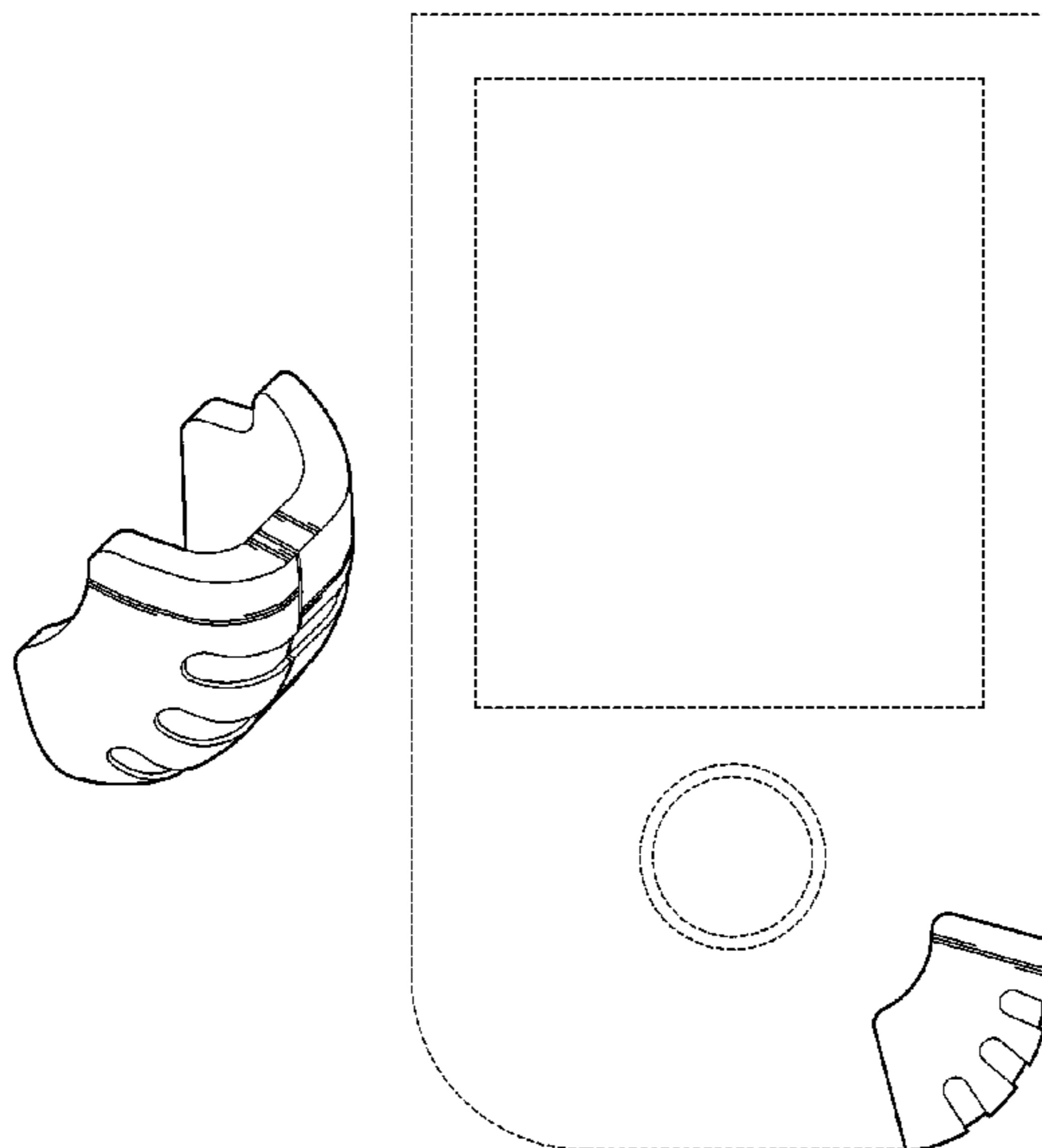
(57) **CLAIM**

The ornamental design for a impact protecting corner, as shown and described.

DESCRIPTION

FIG. 1 is a perspective view showing my new design;
FIG. 2 is a front elevational view thereof;
FIG. 3 is a rear elevational view thereof;
FIG. 4 is a right side elevational view thereof;
FIG. 5 is a left side elevational view thereof;
FIG. 6 is a top plan view thereof;
FIG. 7 is a bottom plan view thereof; and,
FIG. 8 is another perspective view thereof.
The broken lines in FIG. 8 illustrate unclaimed environmental structure and form no part of the claimed design.

1 Claim, 4 Drawing Sheets



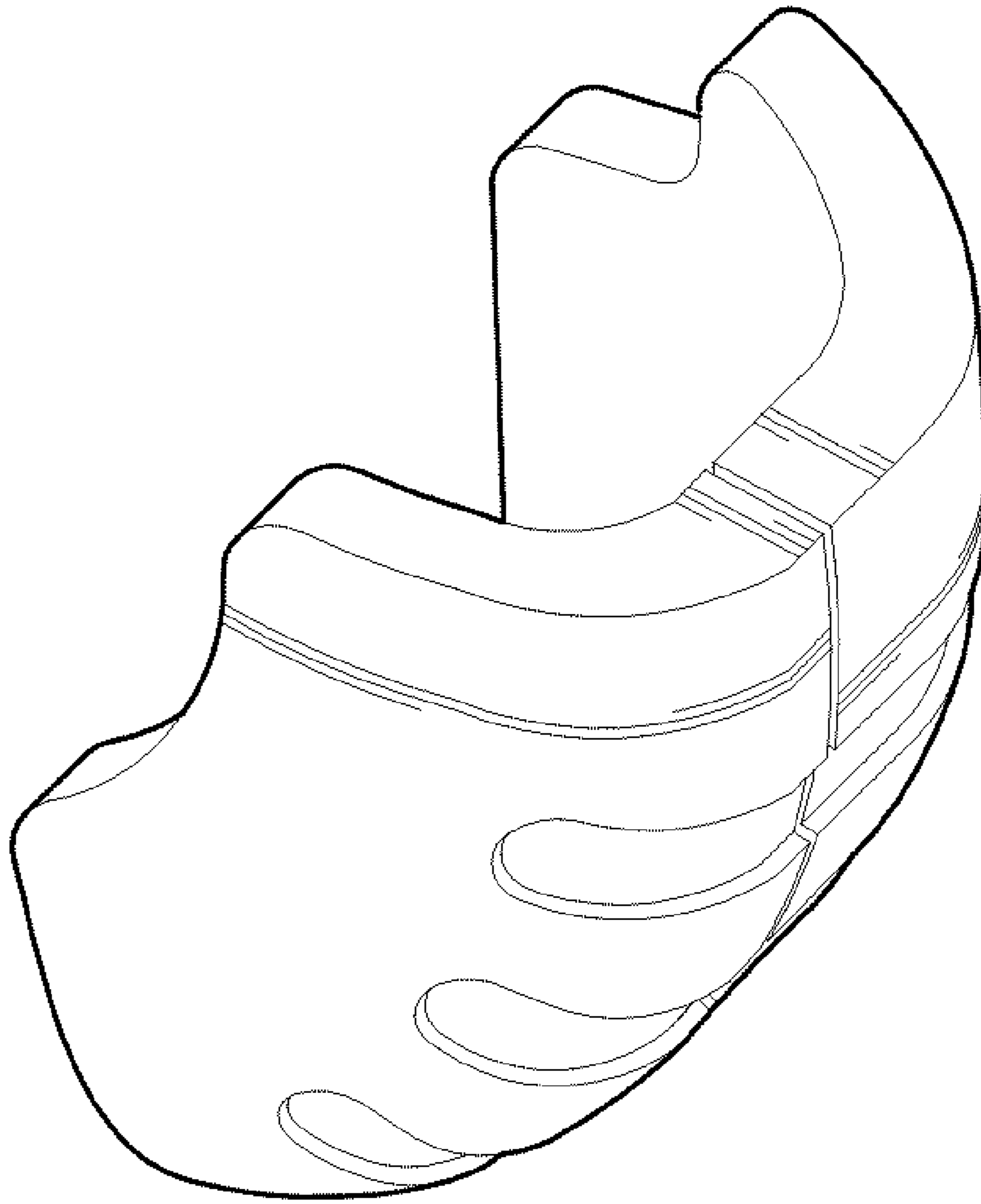


FIG. 1

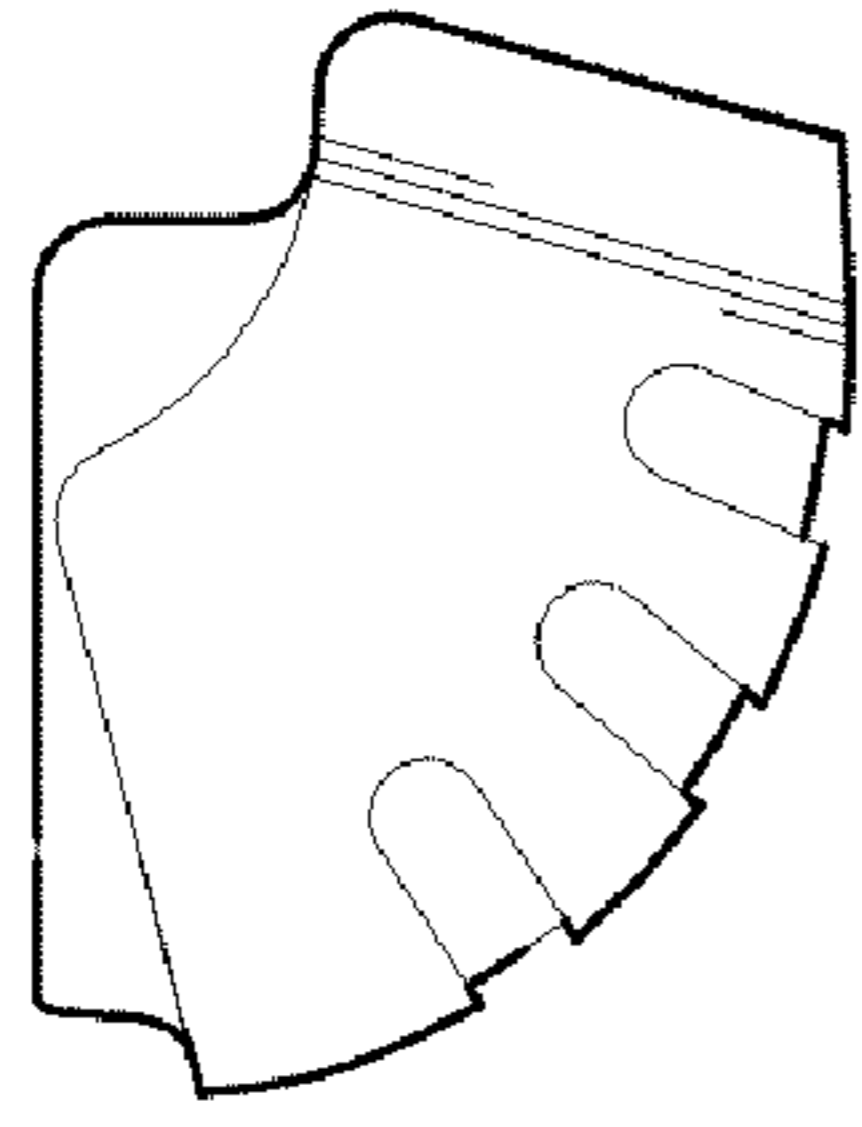


FIG. 2

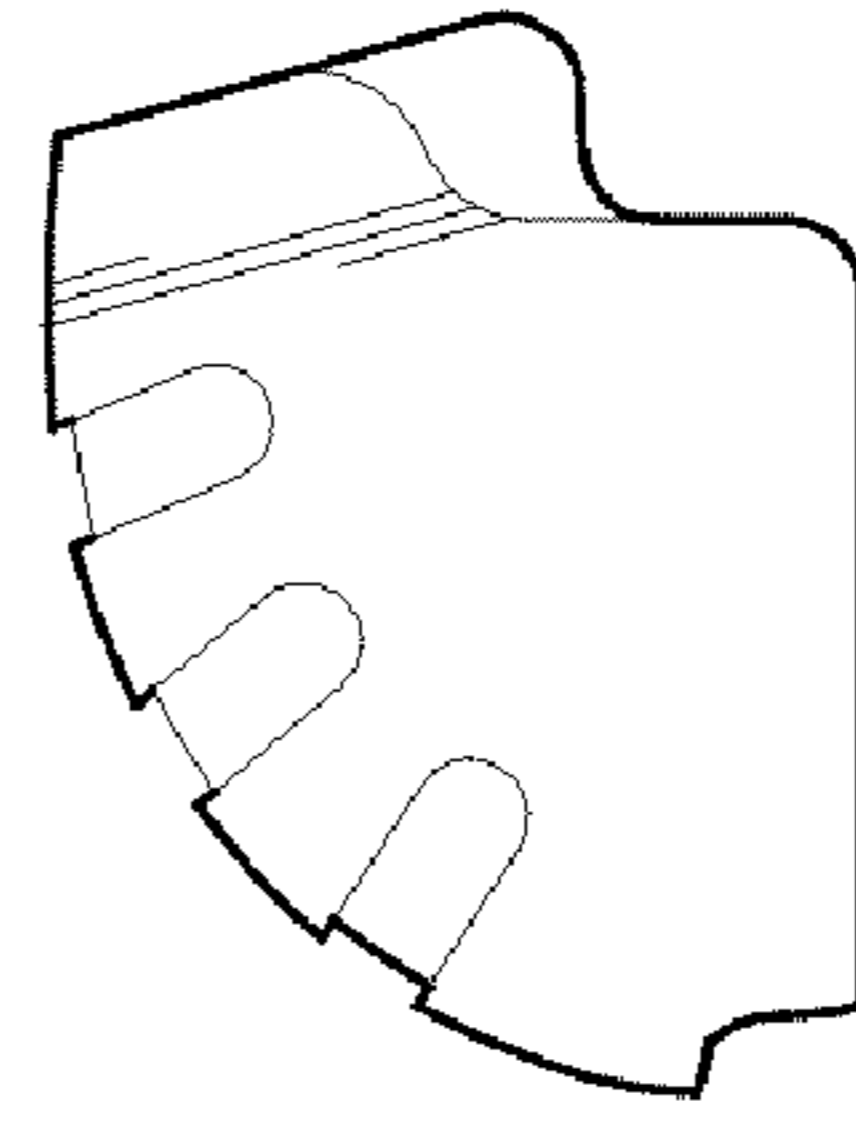


FIG. 3

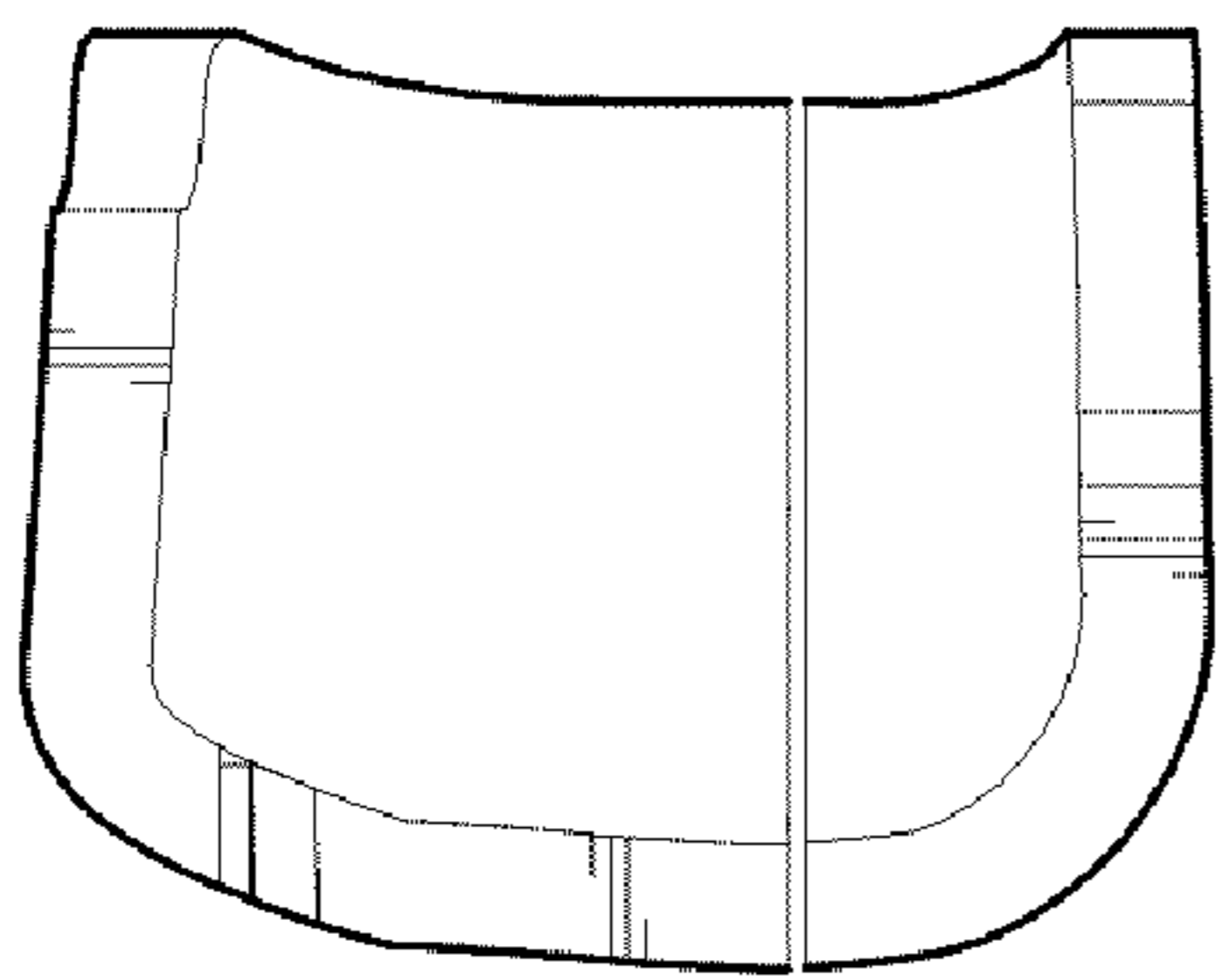


FIG. 4

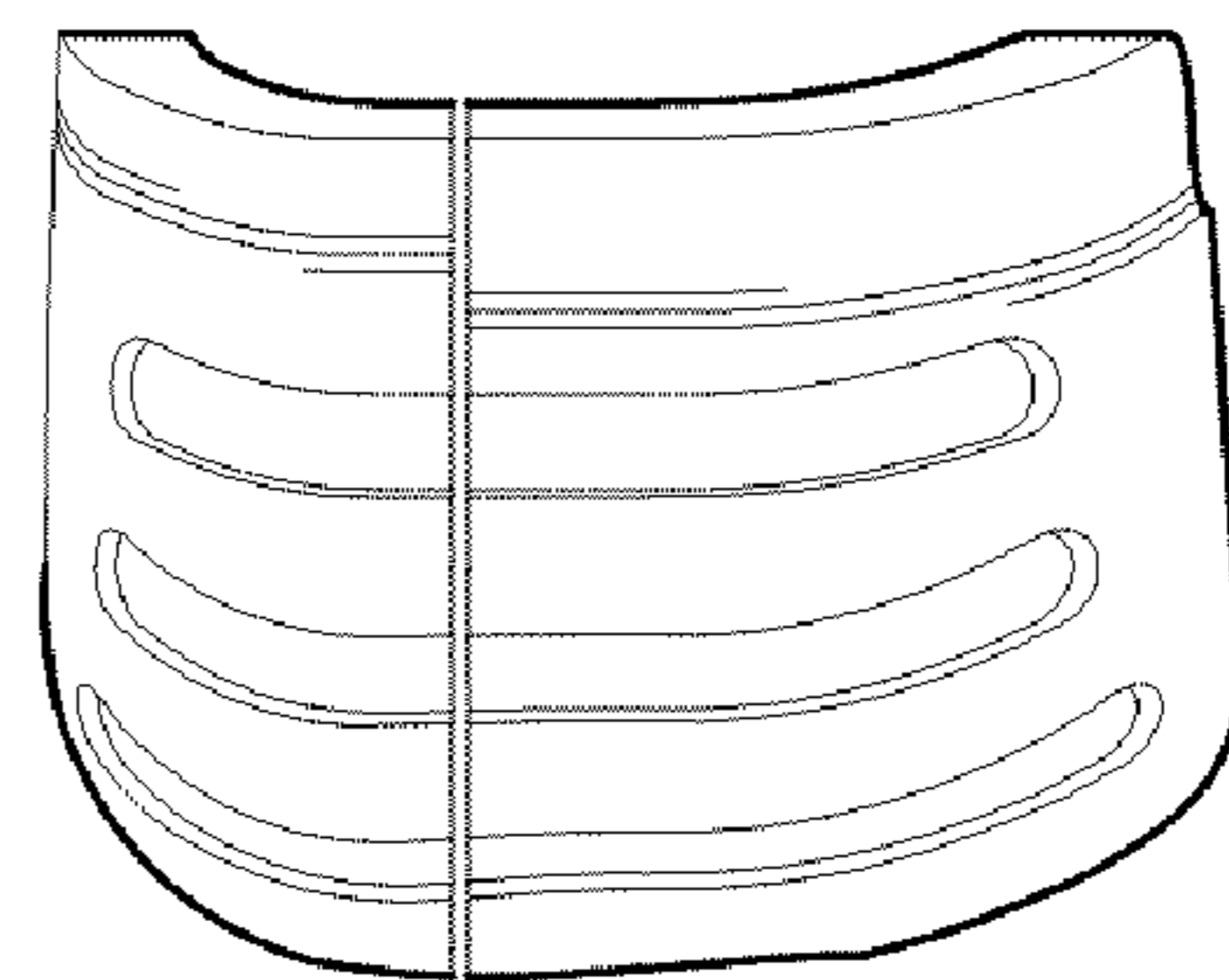


FIG. 5

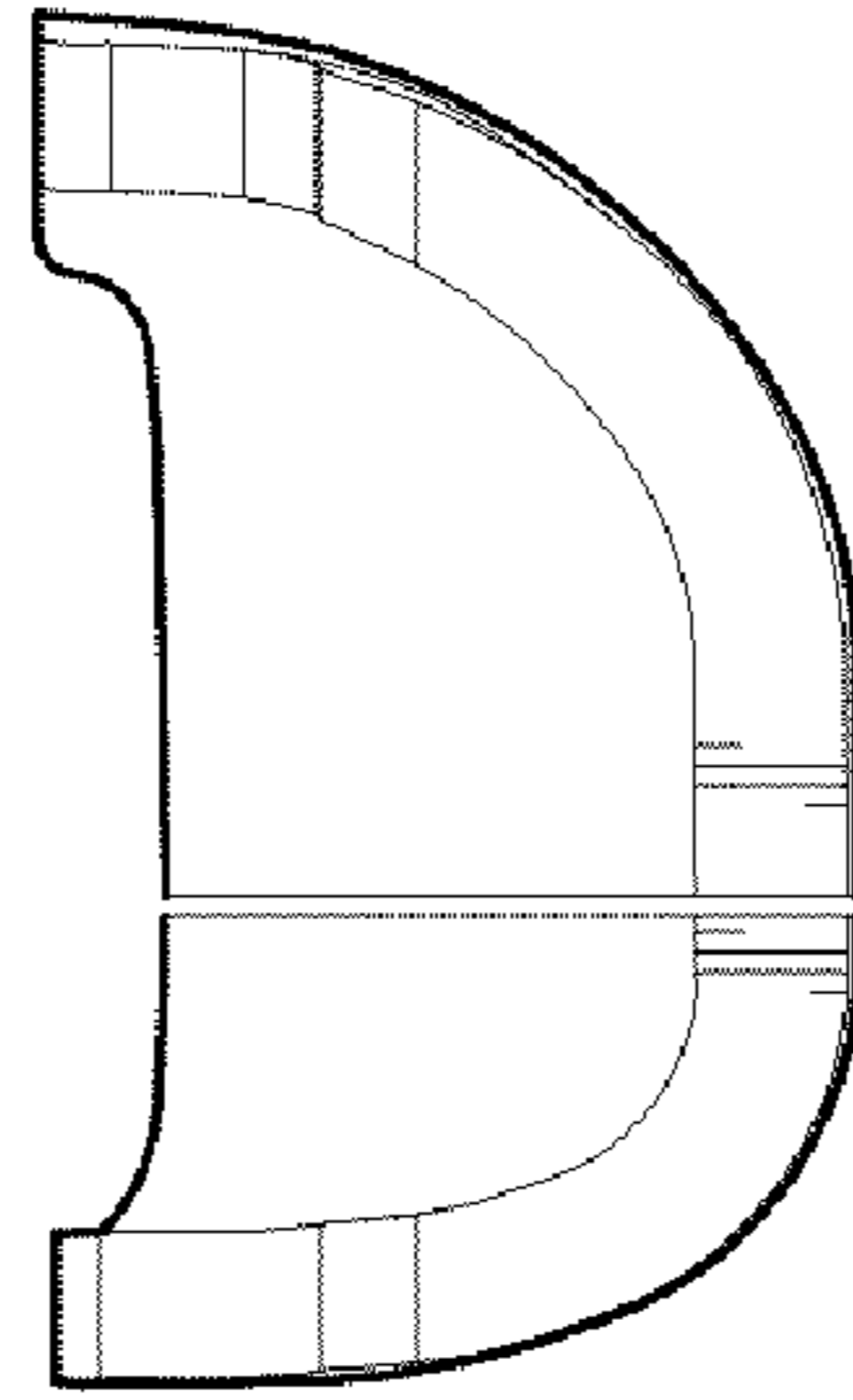


FIG. 6

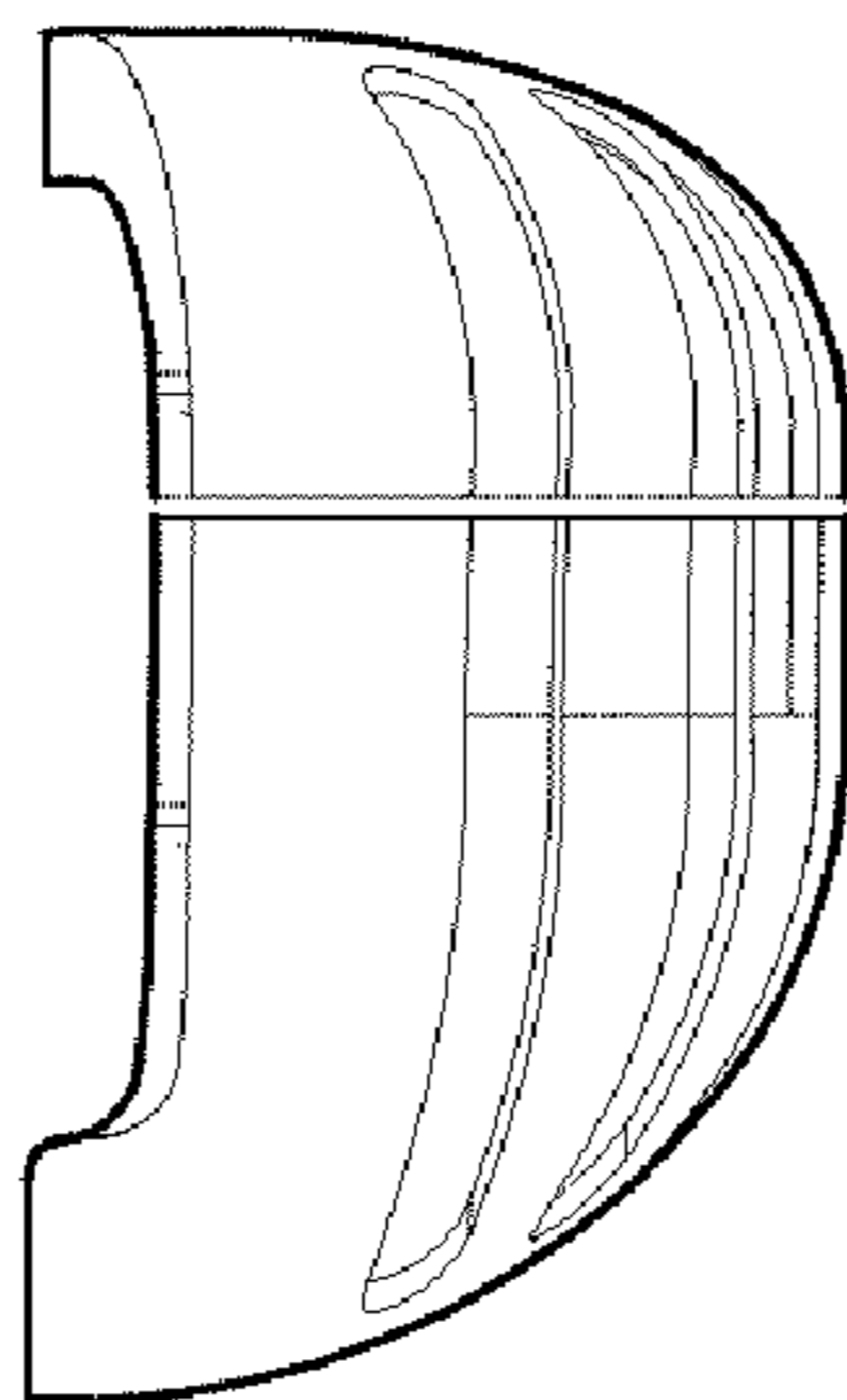


FIG. 7

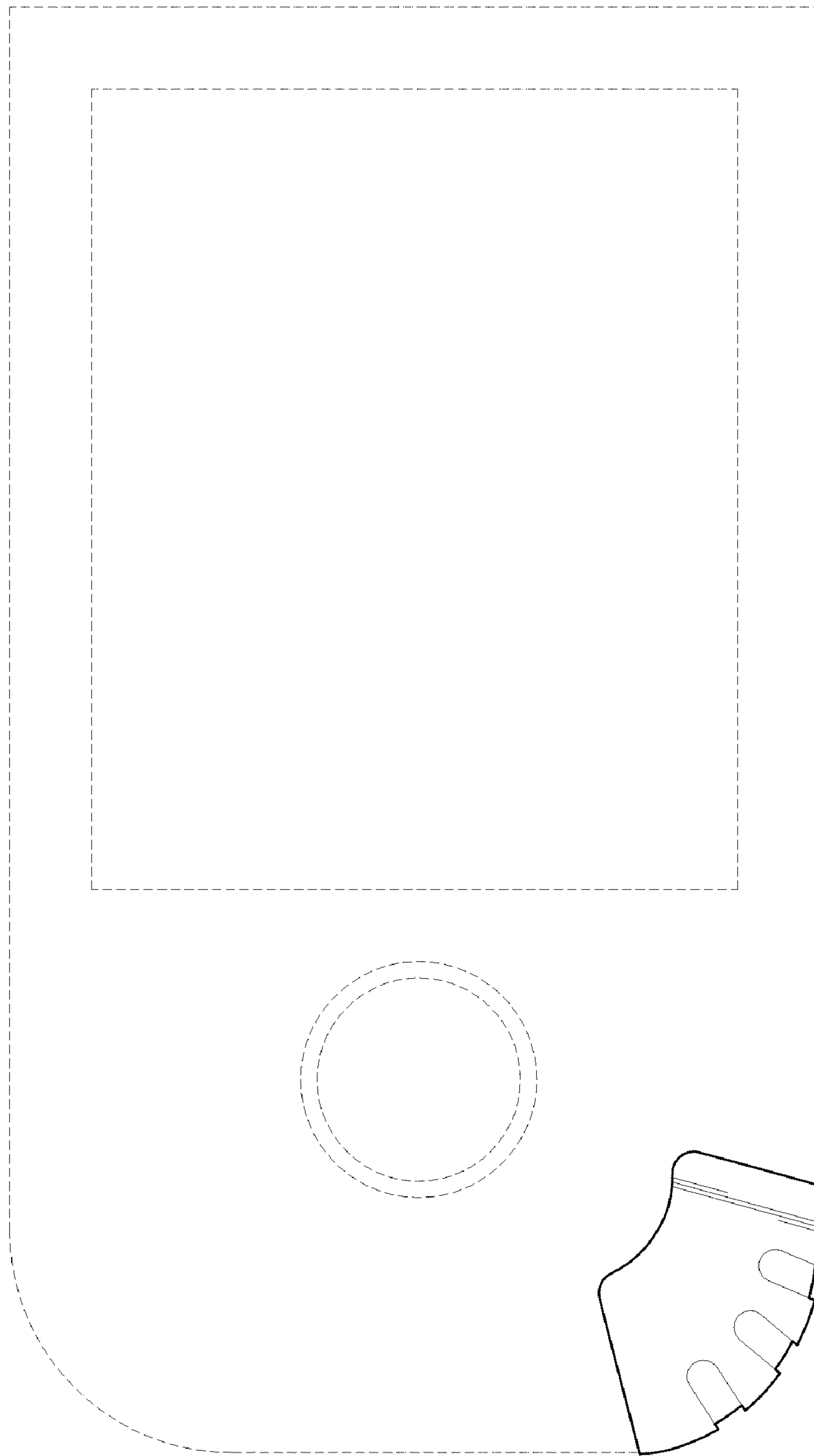


FIG. 8