

US00D623645S

(12) **United States Design Patent**  
**Andre et al.**

(10) **Patent No.:** **US D623,645 S**  
(45) **Date of Patent:** **\*\* Sep. 14, 2010**

(54) **PORTABLE COMPUTER**

(75) Inventors: **Bartley K. Andre**, Menlo Park, CA (US); **Daniel J. Coster**, San Francisco, CA (US); **Daniele De Iuliis**, San Francisco, CA (US); **Evans Hankey**, San Francisco, CA (US); **Richard P. Howarth**, San Francisco, CA (US); **Jonathan P. Ive**, San Francisco, CA (US); **Steve Jobs**, Palo Alto, CA (US); **Duncan Robert Kerr**, San Francisco, CA (US); **Shin Nishibori**, Portola Valley, CA (US); **Matthew Dean Rohrbach**, San Francisco, CA (US); **Peter Russell-Clarke**, San Francisco, CA (US); **Douglas B. Satzger**, Menlo Park, CA (US); **Christopher J. Stringer**, Woodside, CA (US); **Eugene Antony Whang**, San Francisco, CA (US); **Rico Zorkendorfer**, San Francisco, CA (US)

(73) Assignee: **Apple Inc.**, Cupertino, CA (US)

(\*\*) Term: **14 Years**

(21) Appl. No.: **29/351,847**

(22) Filed: **Dec. 11, 2009**

**Related U.S. Application Data**

(60) Continuation of application No. 29/337,518, filed on May 22, 2009, now Pat. No. Des. 606,988, which is a division of application No. 29/326,309, filed on Oct. 15, 2008, now Pat. No. Des. 604,292, which is a continuation of application No. 29/326,082, filed on Oct. 10, 2008, now Pat. No. Des. 604,290.

(51) **LOC (9) Cl.** ..... **14-02**

(52) **U.S. Cl.** ..... **D14/315**

(58) **Field of Classification Search** ..... D14/315-327; D18/1, 2, 7, 11; 235/145 A, 145 R; 341/22, 341/23; 345/156, 157, 168, 169, 173; 361/680-686, 361/679.27, 679.09; 348/373; 715/783  
See application file for complete search history.

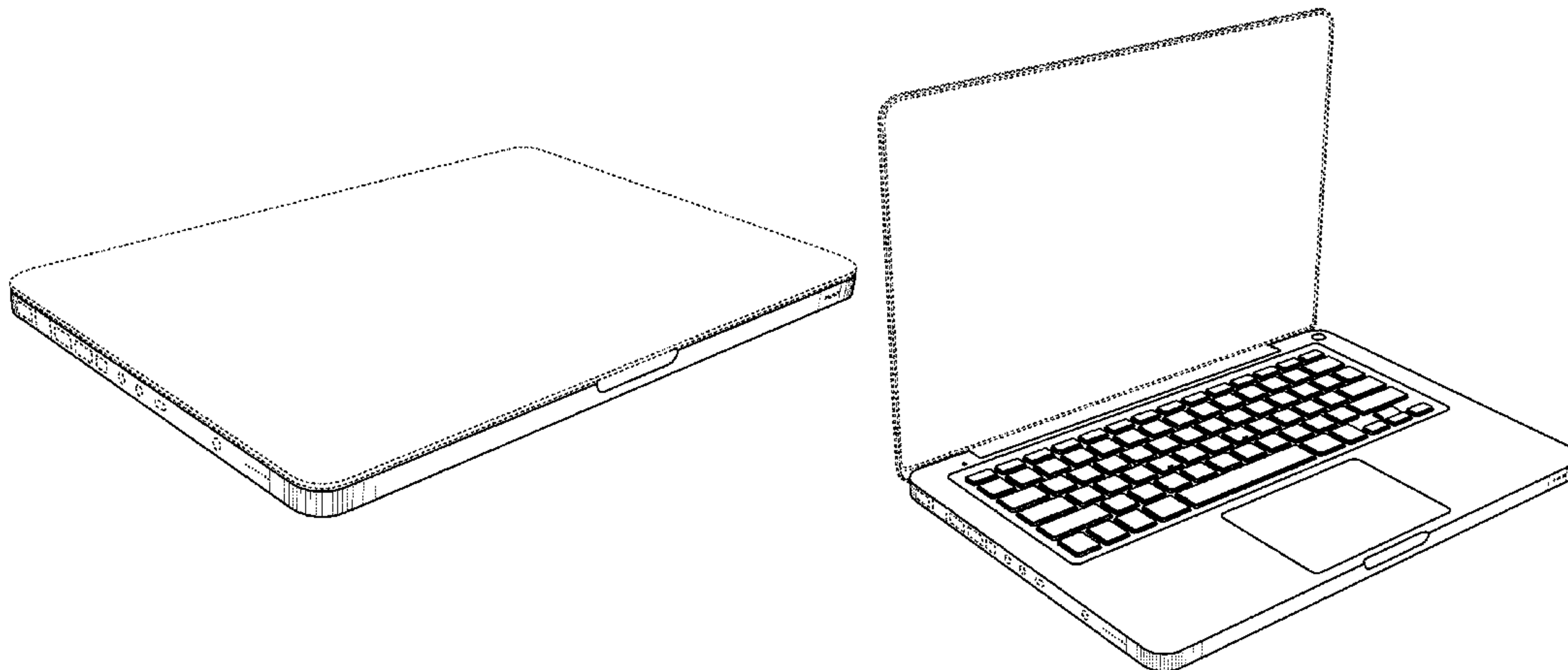
(56) **References Cited**

U.S. PATENT DOCUMENTS

6,067,224 A	5/2000	Nobuchi	
D431,821 S	10/2000	Mizuno	
D463,797 S	10/2002	Andre et al.	
6,519,139 B2	2/2003	Kambayashi	
D491,177 S	6/2004	Andre et al.	
D493,785 S	8/2004	Andre et al.	
D504,889 S	5/2005	Andre et al.	
D517,063 S	3/2006	Nakajima et al.	
D523,428 S	6/2006	Ozias et al.	
D523,429 S	6/2006	Lin	
D524,306 S	7/2006	Yun et al.	
D526,999 S	8/2006	Tago	
D529,907 S	10/2006	Dong	
D533,550 S	12/2006	Yamada	
D535,652 S	1/2007	Lee	
D539,796 S	4/2007	Zhang et al.	
D558,752 S	1/2008	Andre et al.	
D558,753 S	1/2008	Andre et al.	
D559,247 S	1/2008	Kawase	
D571,364 S	6/2008	Andre et al.	
D572,246 S	7/2008	Andre et al.	
D572,247 S	7/2008	Andre et al.	
D574,378 S	8/2008	Andre et al.	
D583,373 S	12/2008	Chen	
D587,701 S	3/2009	Yoon	
D589,508 S	3/2009	Fujiwara et al.	
D604,290 S	* 11/2009	Andre et al.	D14/315
D604,293 S	* 11/2009	Andre et al.	D14/315
D606,988 S	* 12/2009	Andre et al.	D14/315
2005/0018396 A1	1/2005	Nakajima et al.	
2005/0041378 A1	2/2005	Hamada et al.	

**OTHER PUBLICATIONS**

Photographs of Sony Vaio PCG-4G1L, available at least as early as May 8, 2006.  
Apple MacBook Air, available Jan. 15, 2008, [http://images.apple.com/macbookair/images/design\\_gal01\\_20080115.jpg](http://images.apple.com/macbookair/images/design_gal01_20080115.jpg).  
Apple MacBook Air, available Jan. 15, 2008, [http://images.apple.com/macbookair/images/design\\_gal02\\_20080115.jpg](http://images.apple.com/macbookair/images/design_gal02_20080115.jpg).  
Apple MacBook Air, available Jan. 15, 2008, [http://images.apple.com/macbookair/images/design\\_gal03\\_20080115.jpg](http://images.apple.com/macbookair/images/design_gal03_20080115.jpg).  
Apple MacBook Air, available Jan. 15, 2008, [http://images.apple.com/macbookair/images/design\\_gal04\\_20080115.jpg](http://images.apple.com/macbookair/images/design_gal04_20080115.jpg).  
Apple MacBook Air, available Jan. 15, 2008, [http://images.apple.com/macbookair/images/design\\_thinair20080115.jpg](http://images.apple.com/macbookair/images/design_thinair20080115.jpg).



Apple MacBook Air, available Jan. 15, 2008, [http://images.apple.com/macbookair/images/design\\_displayair20080115.jpg](http://images.apple.com/macbookair/images/design_displayair20080115.jpg).

Apple MacBook Air, available Jan. 15, 2008, [http://images.apple.com/macbookair/images/design\\_keyboardair20080115.jpg](http://images.apple.com/macbookair/images/design_keyboardair20080115.jpg).

Apple MacBook Air, available Jan. 15, 2008, [http://images.apple.com/macbookair/images/design\\_gal08\\_20080115](http://images.apple.com/macbookair/images/design_gal08_20080115).

\* cited by examiner

*Primary Examiner*—Freda S Nunn

(74) *Attorney, Agent, or Firm*—SAIDMAN DesignLaw Group

(57) **CLAIM**

The ornamental design for a portable computer, as shown and described.

**DESCRIPTION**

FIG. 1 is a front, top perspective view of a first embodiment showing our new design;

FIG. 2 is front view thereof;

FIG. 3 is a rear view thereof;

FIG. 4 is a left side view thereof;

FIG. 5 is a right side view thereof;

FIG. 6 is a top view thereof;

FIG. 7 is a bottom view thereof;

FIG. 8 is a bottom, front perspective view thereof;

FIG. 9 is a second bottom, front perspective view thereof with a latch in an open position;

FIG. 10 is a front, top perspective view thereof, with the portable computer shown in an open position;

FIG. 11 is a front view thereof;

FIG. 12 is a rear view thereof;

FIG. 13 is a left side view thereof;

FIG. 14 is a right side view thereof;

FIG. 15 is a top view thereof;

FIG. 16 is a bottom view thereof;

FIG. 17 is a front, bottom perspective view thereof;

FIG. 18 is a front, top perspective view of a second embodiment showing our new design;

FIG. 19 is front view thereof;

FIG. 20 is a rear view thereof;

FIG. 21 is a left side view thereof;

FIG. 22 is a right side view thereof;

FIG. 23 is a top view thereof;

FIG. 24 is a bottom view thereof;

FIG. 25 is a bottom, front perspective view thereof;

FIG. 26 is a front, top perspective view thereof, with the portable computer shown in an open position;

FIG. 27 is a front view thereof;

FIG. 28 is a rear view thereof;

FIG. 29 is a left side view thereof;

FIG. 30 is a right side view thereof;

FIG. 31 is a top view thereof;

FIG. 32 is a bottom view thereof;

FIG. 33 is a front, bottom perspective view thereof;

FIG. 34 is a front, top perspective view of a third embodiment showing our new design;

FIG. 35 is front view thereof;

FIG. 36 is a rear view thereof;

FIG. 37 is a left side view thereof;

FIG. 38 is a right side view thereof;

FIG. 39 is a top view thereof;

FIG. 40 is a bottom view thereof;

FIG. 41 is a bottom, front perspective view thereof;

FIG. 42 is a front, top perspective view thereof, with the portable computer shown in an open position;

FIG. 43 is a front view thereof;

FIG. 44 is a rear view thereof;

FIG. 45 is a left side view thereof;

FIG. 46 is a right side view thereof;

FIG. 47 is a top view thereof;

FIG. 48 is a bottom view thereof; and,

FIG. 49 is a front, bottom perspective view thereof.

The claimed design is shown in relatively bold lines. The relatively thin shade lines show contour and not surface ornamentation. The broken line showing is for the purpose of illustrating portions of the portable computer and forms no part of the claimed design.

**1 Claim, 40 Drawing Sheets**

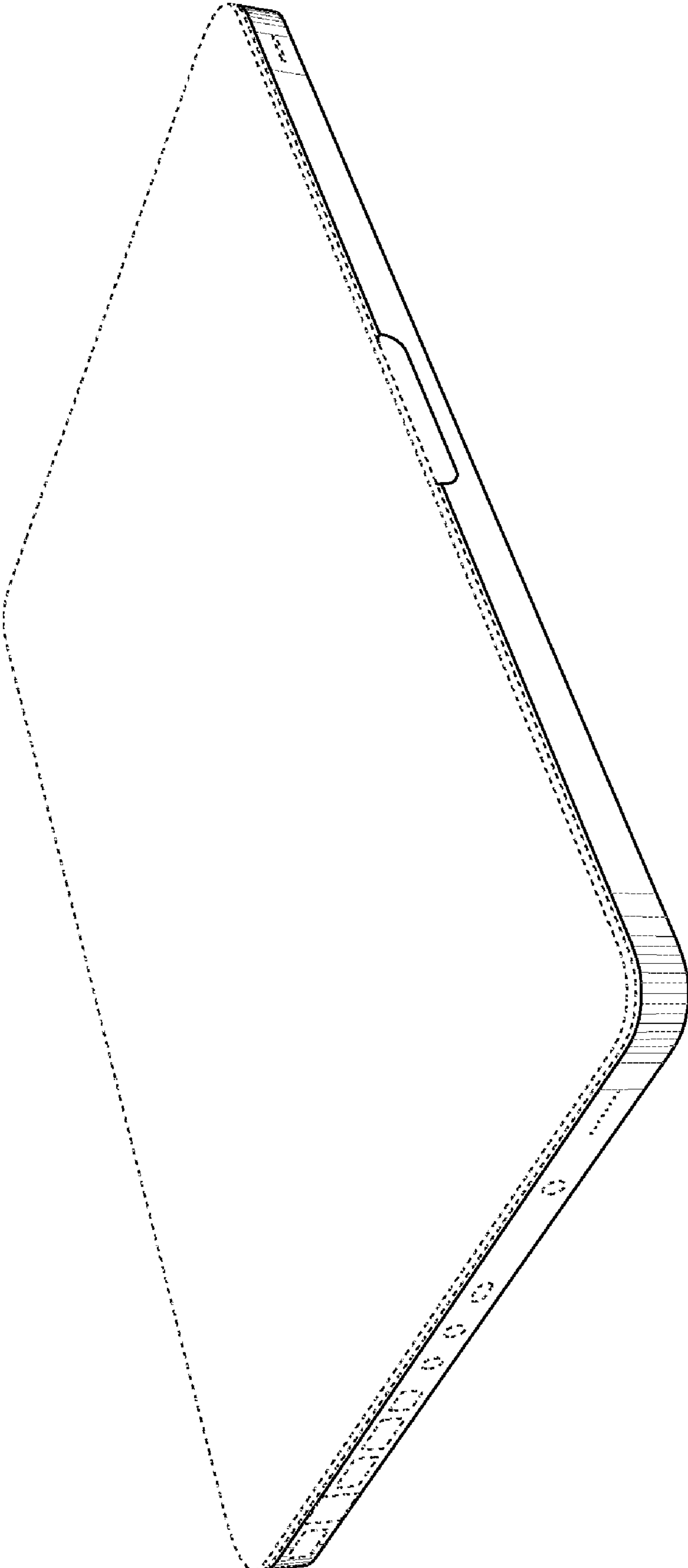


Fig. 1



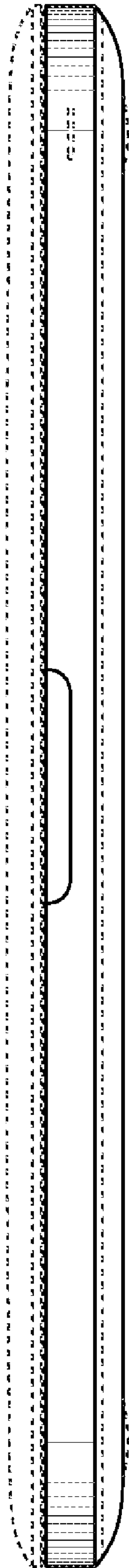


Fig. 2

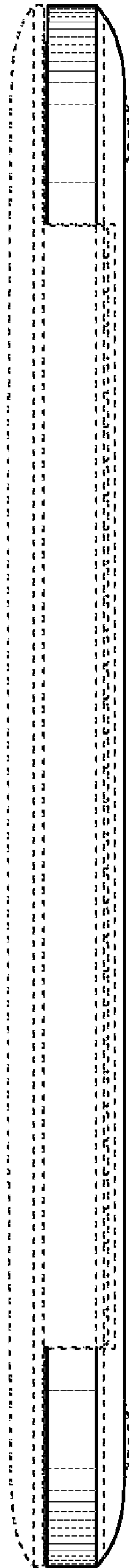
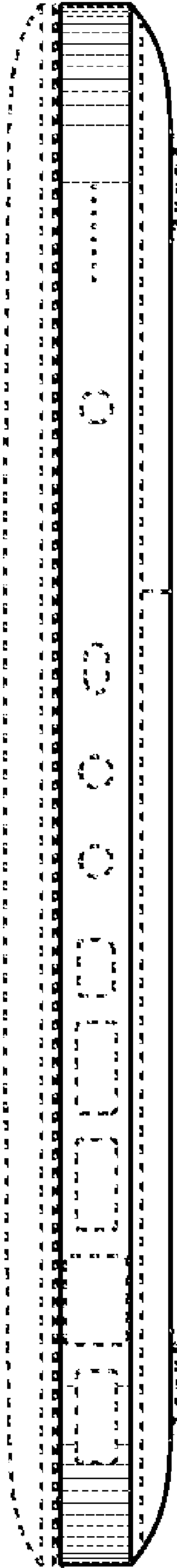
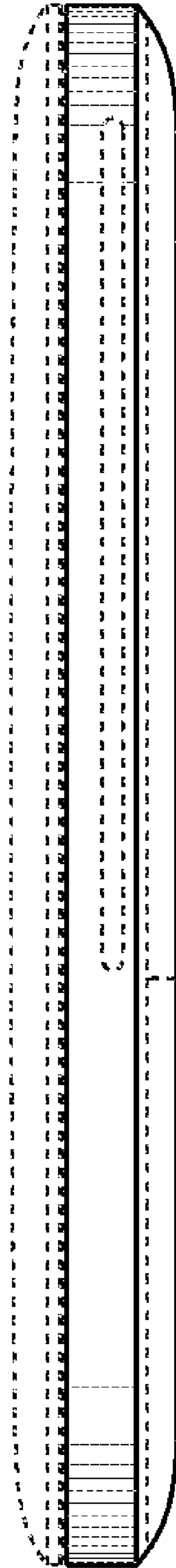


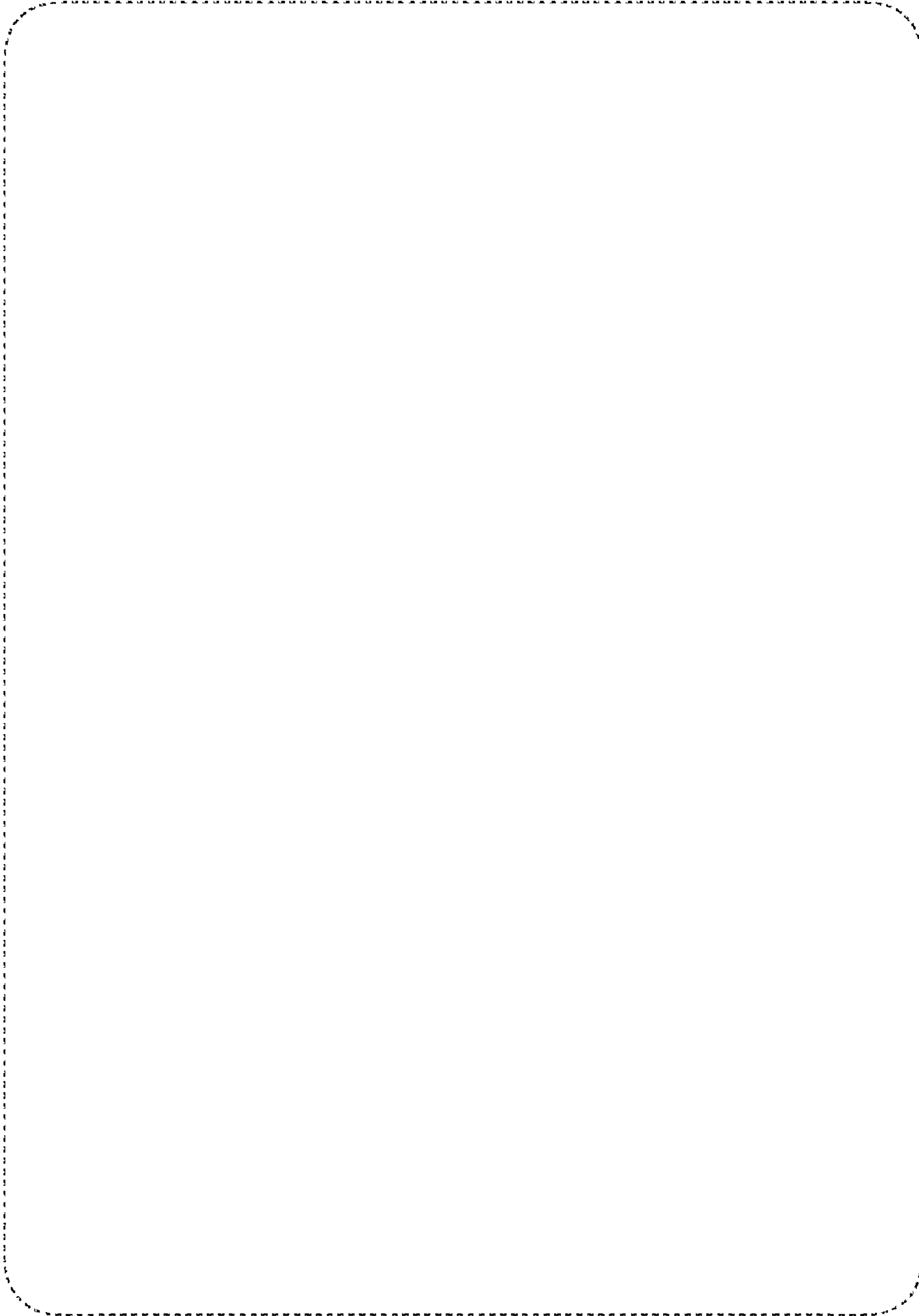
Fig. 3



**Fig. 4**



**Fig. 5**



**Fig. 6**

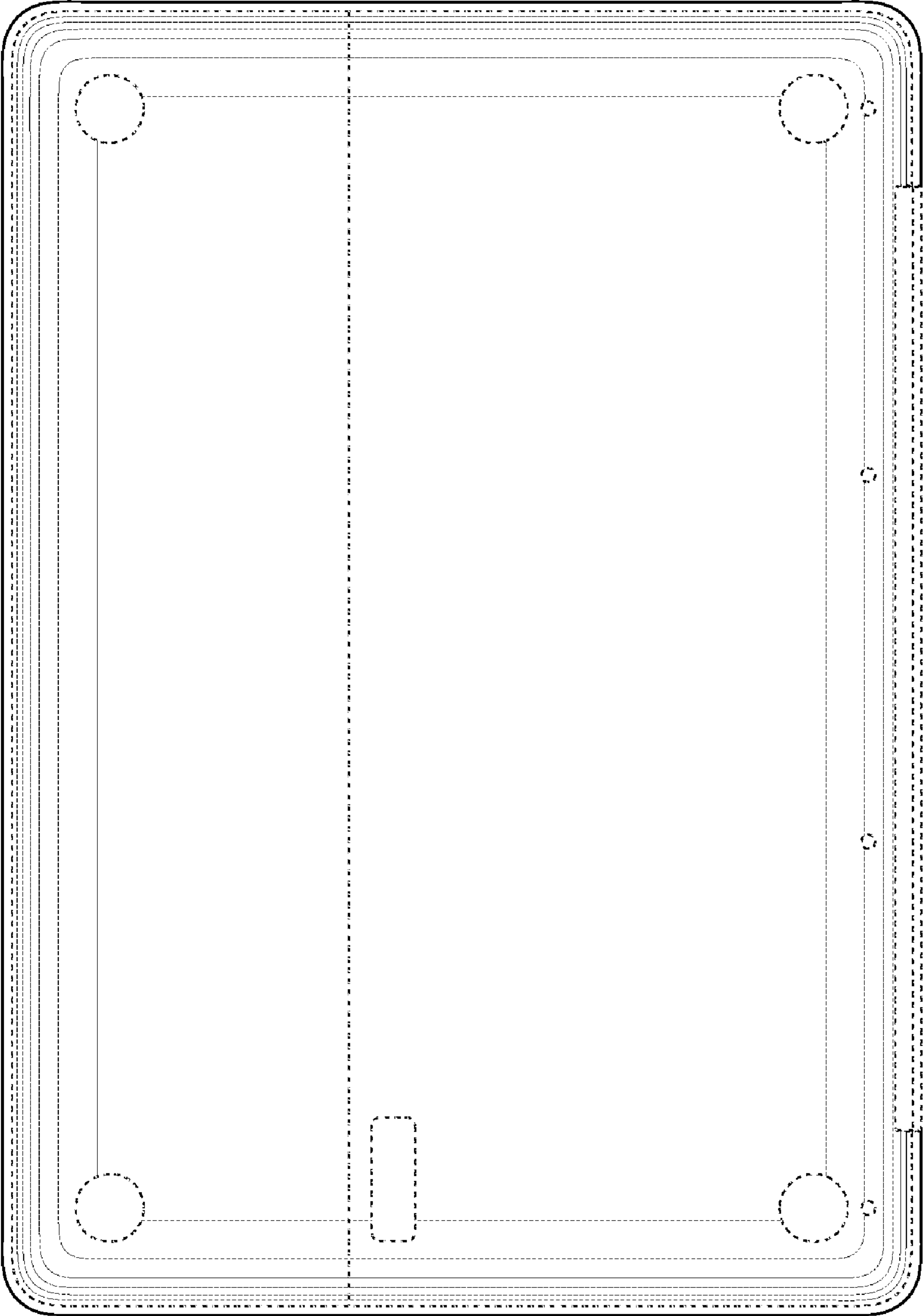


Fig. 7

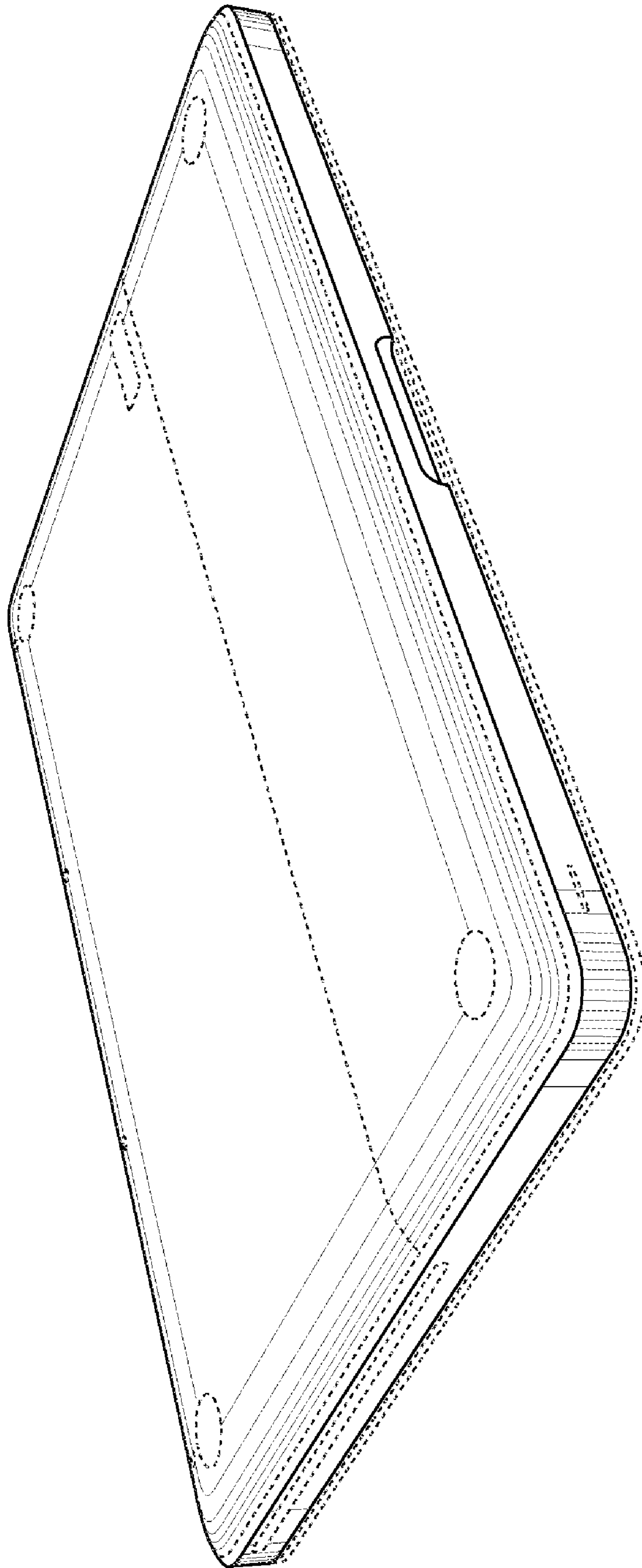


Fig. 8



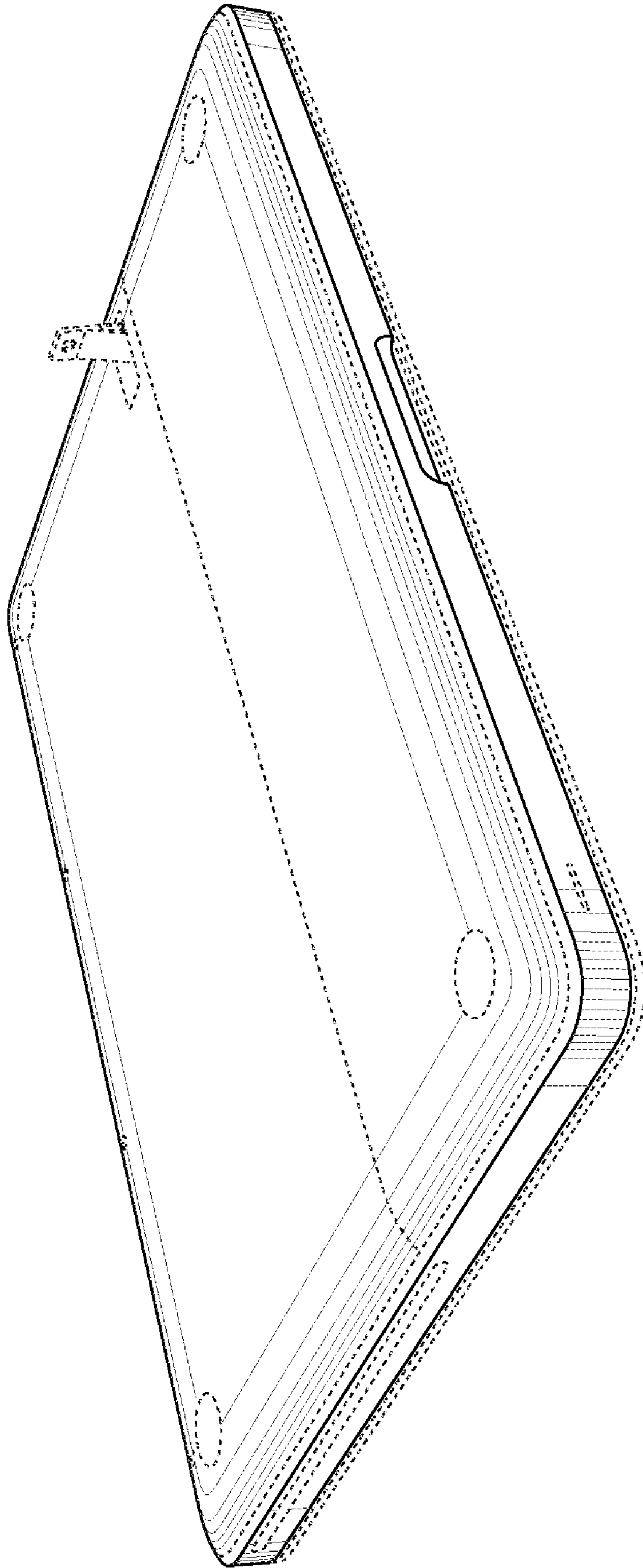


Fig. 9

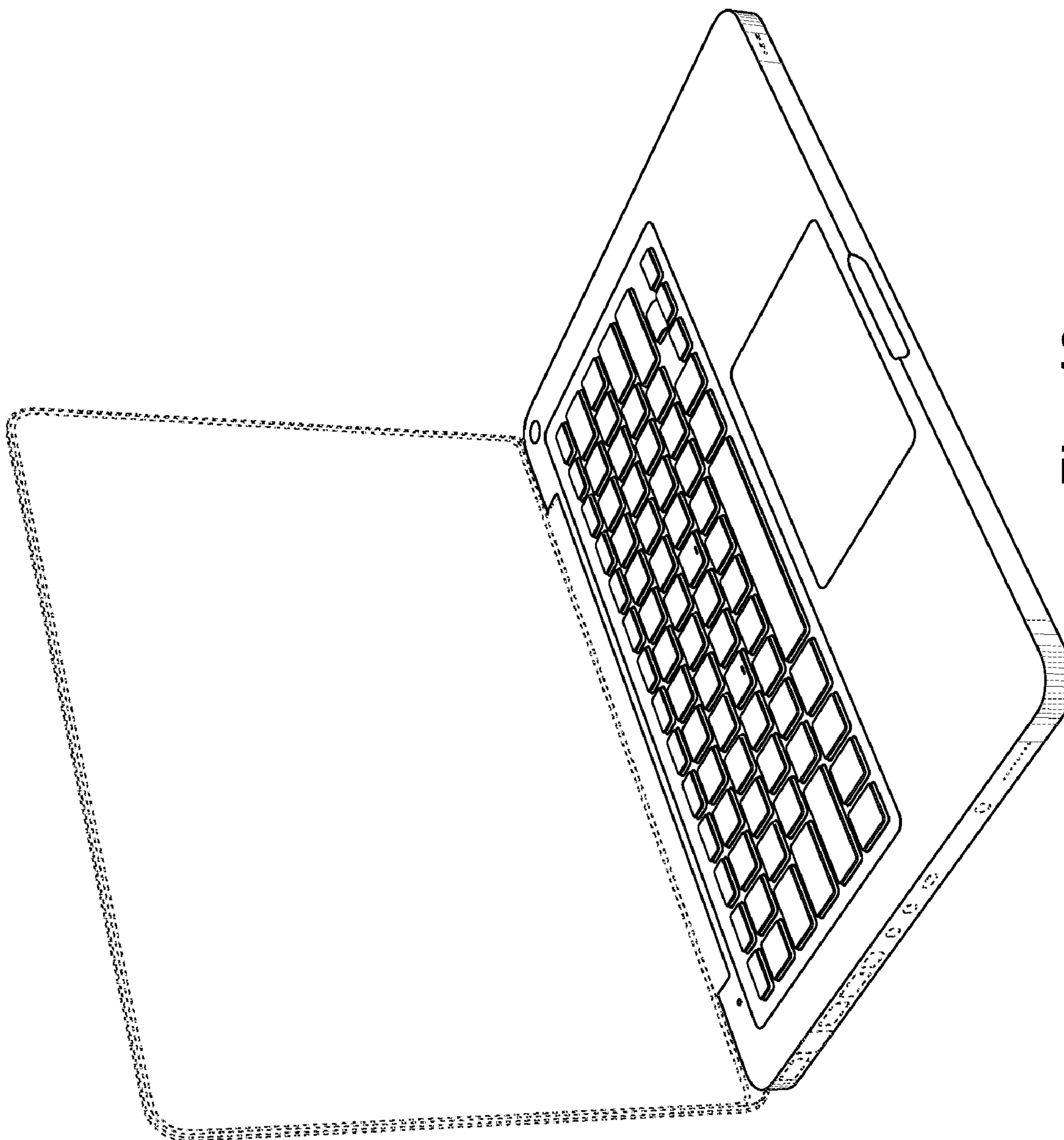


Fig. 10

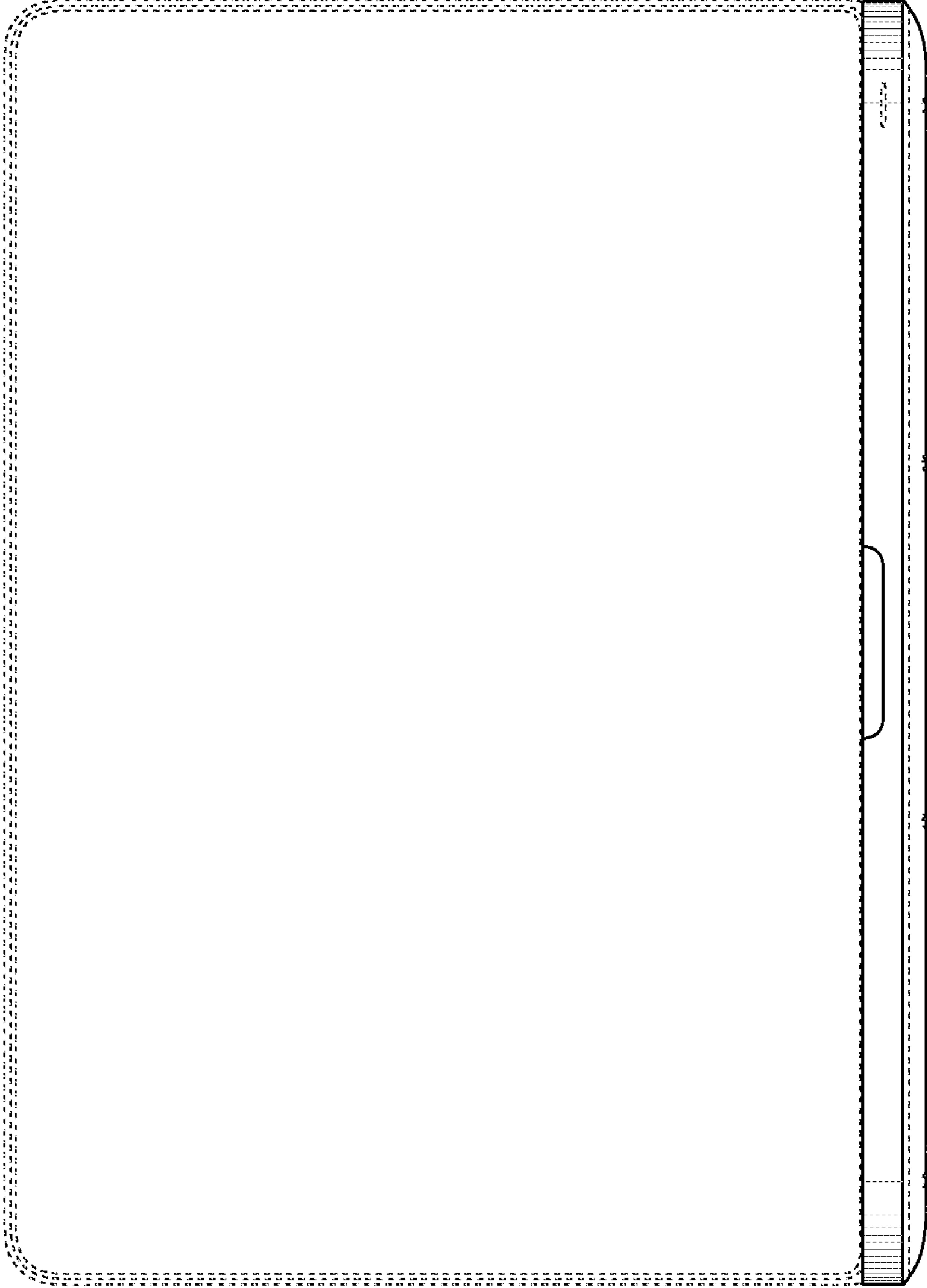
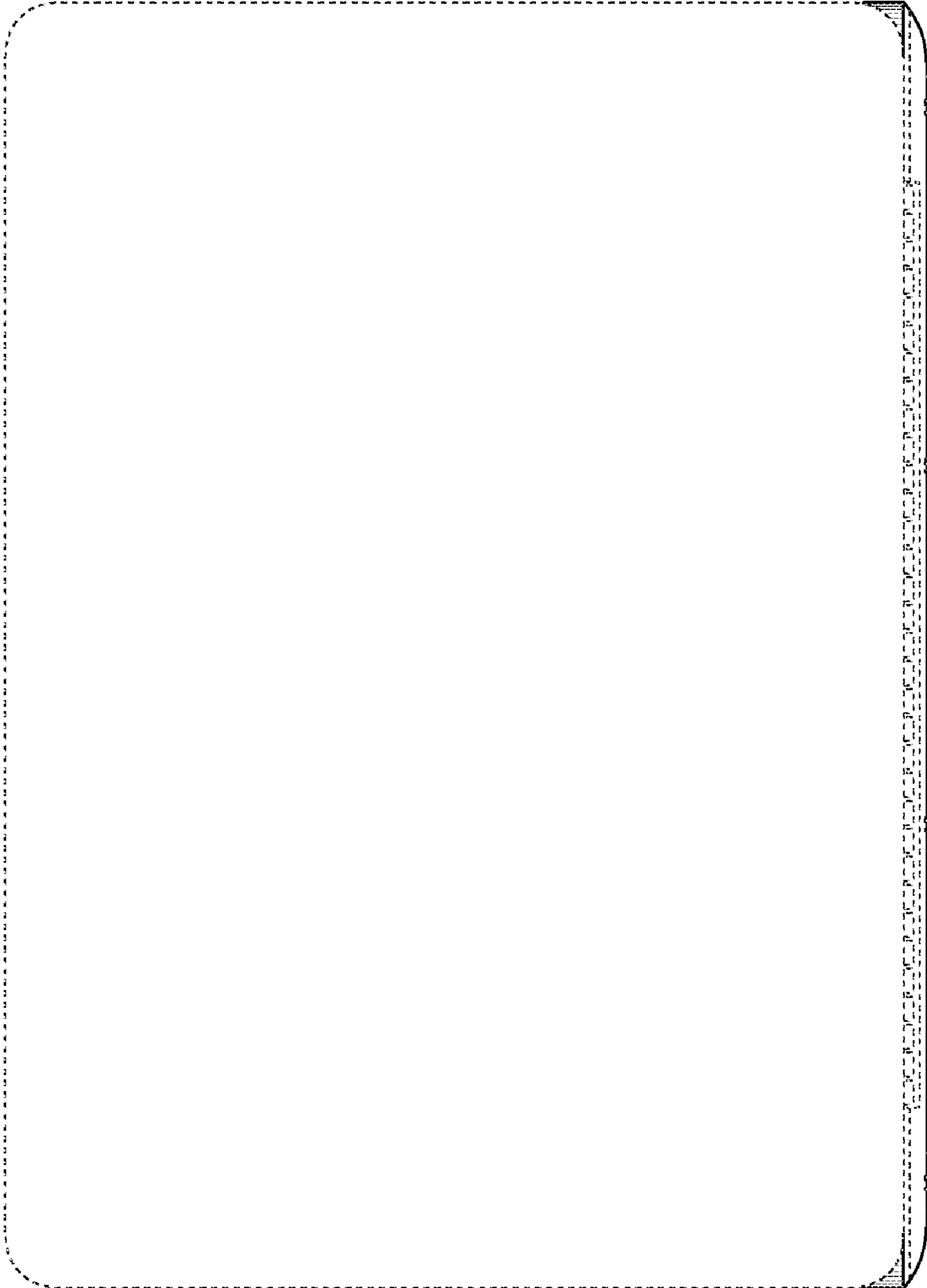


Fig. 11



**Fig. 12**

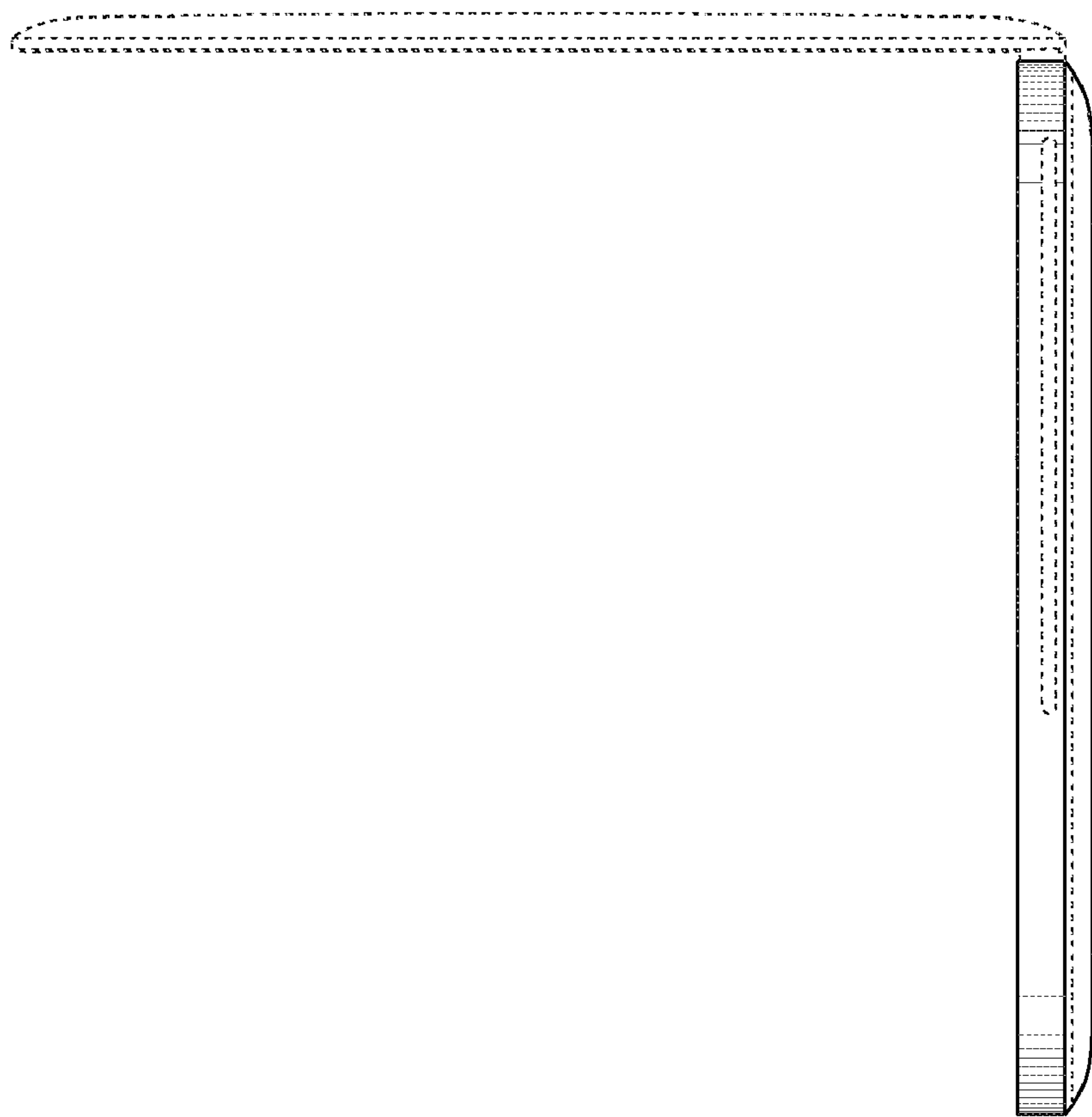


Fig. 14

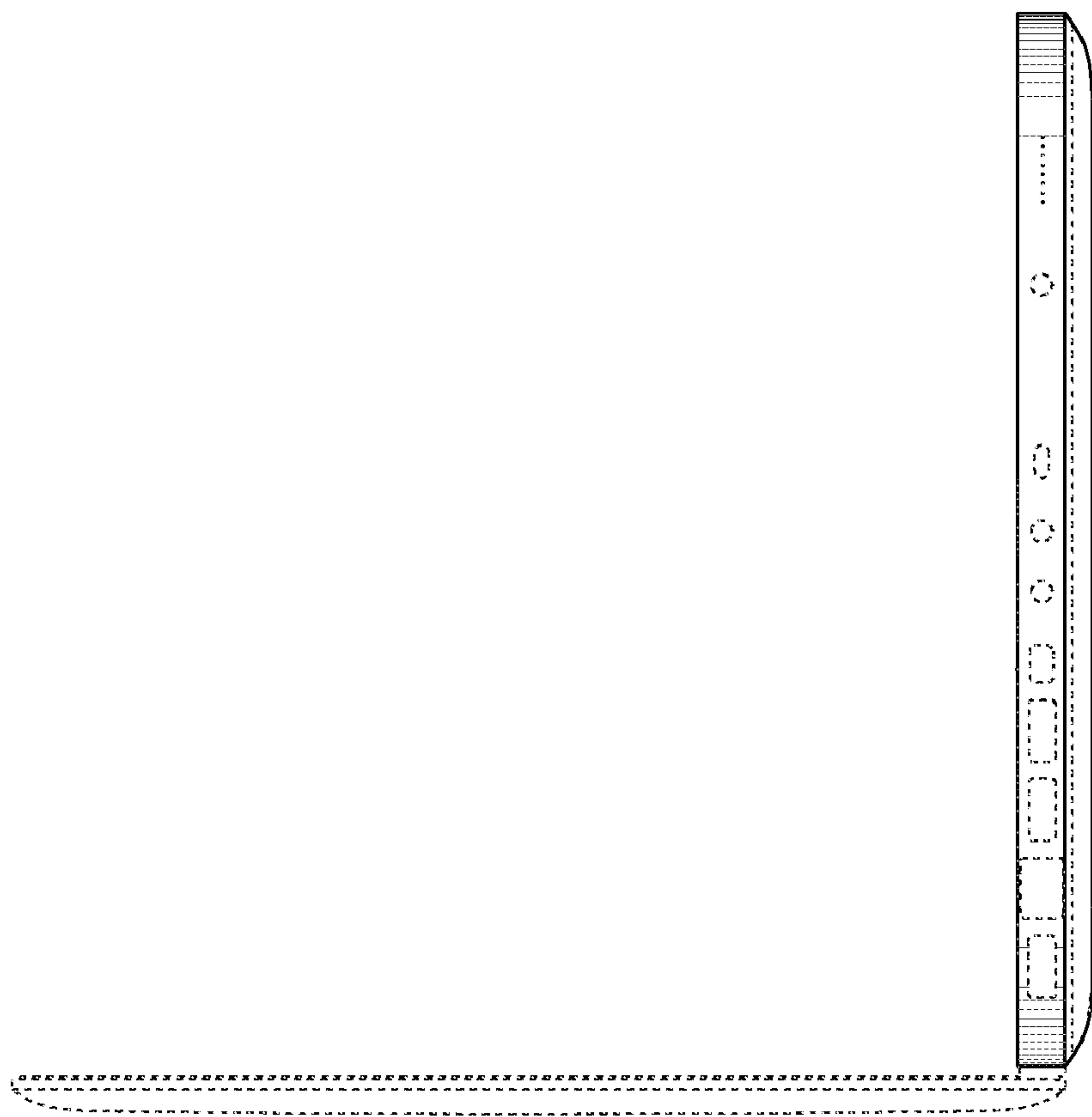


Fig. 13



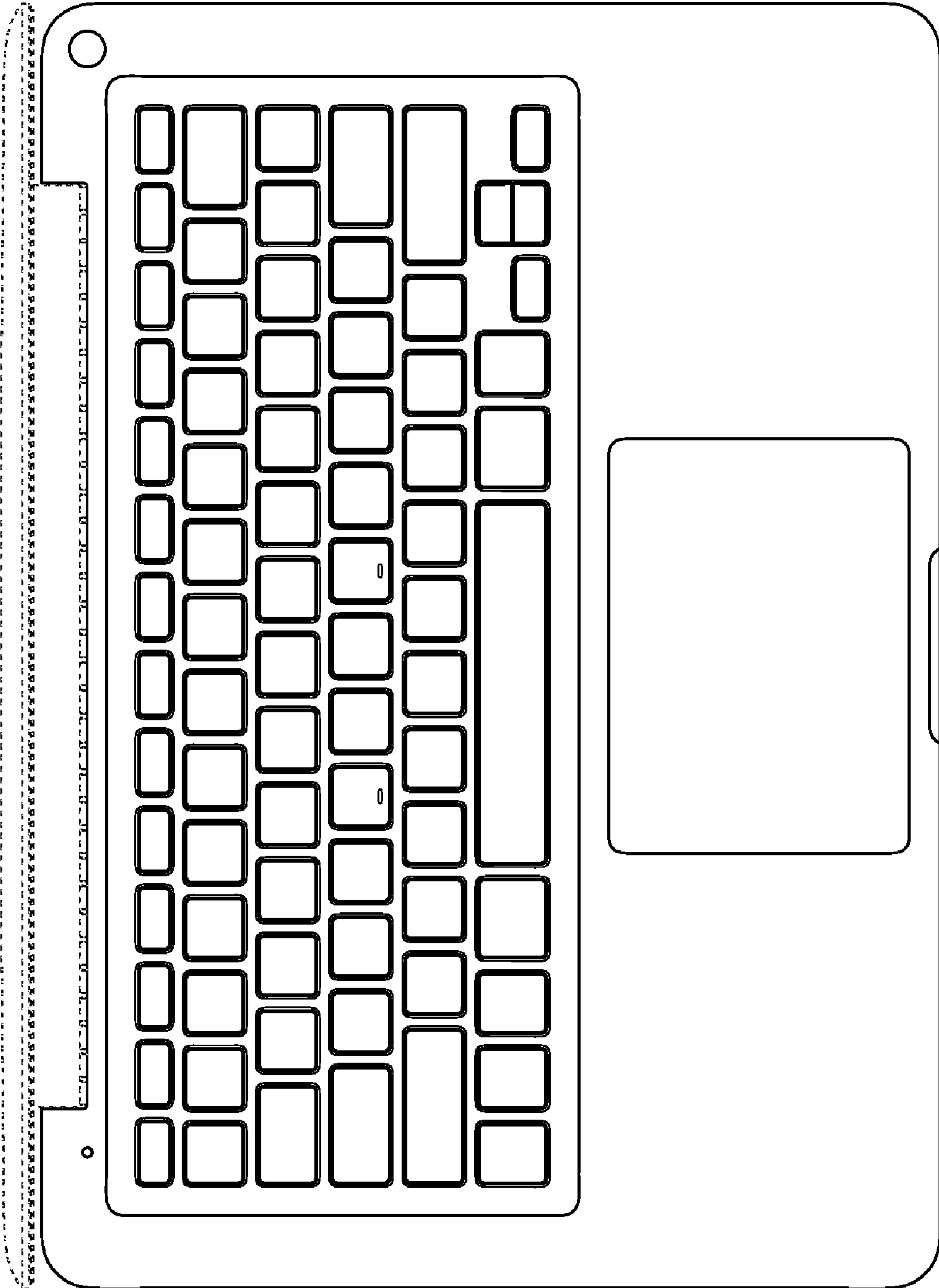


Fig. 15

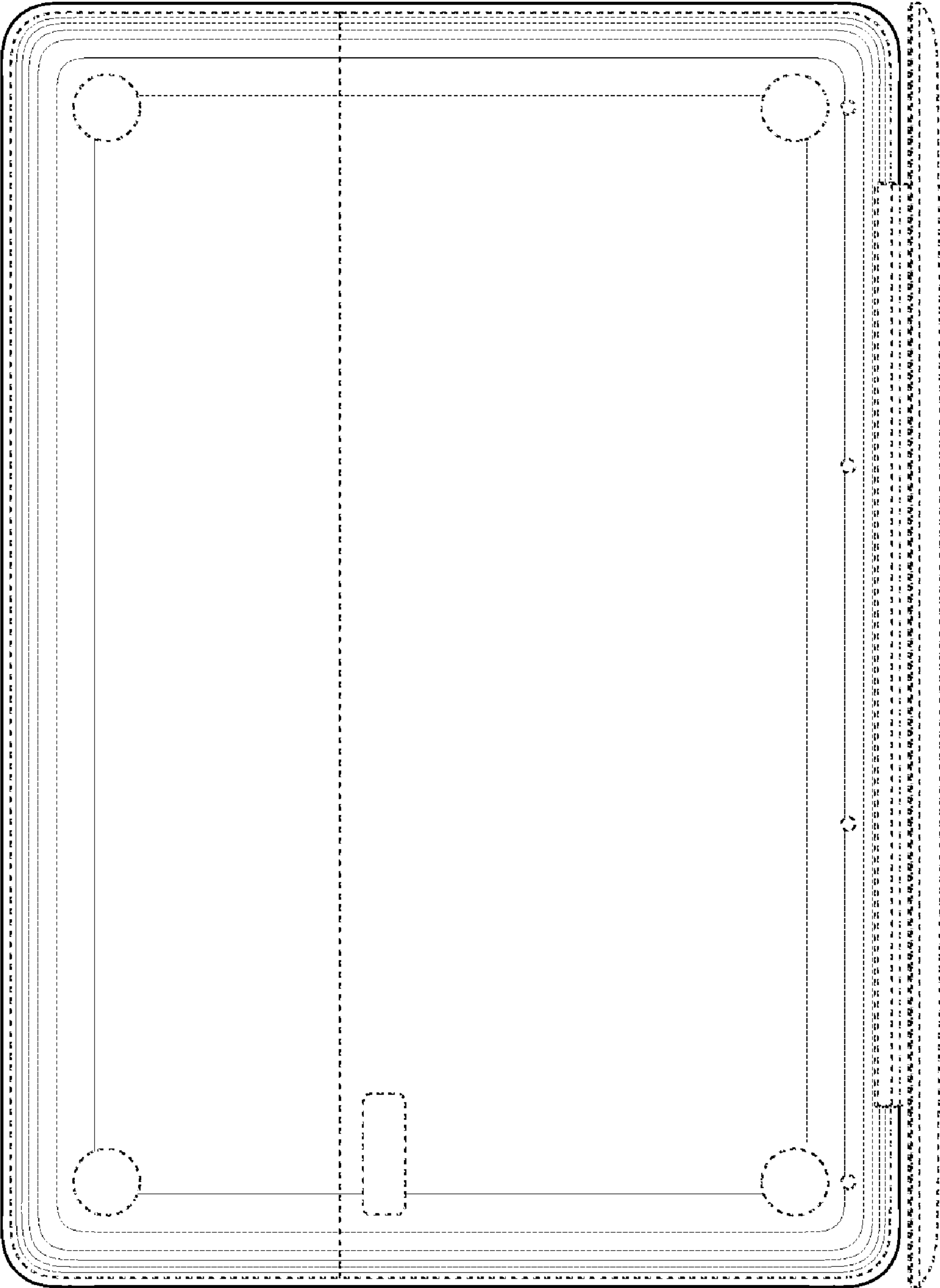


Fig. 16

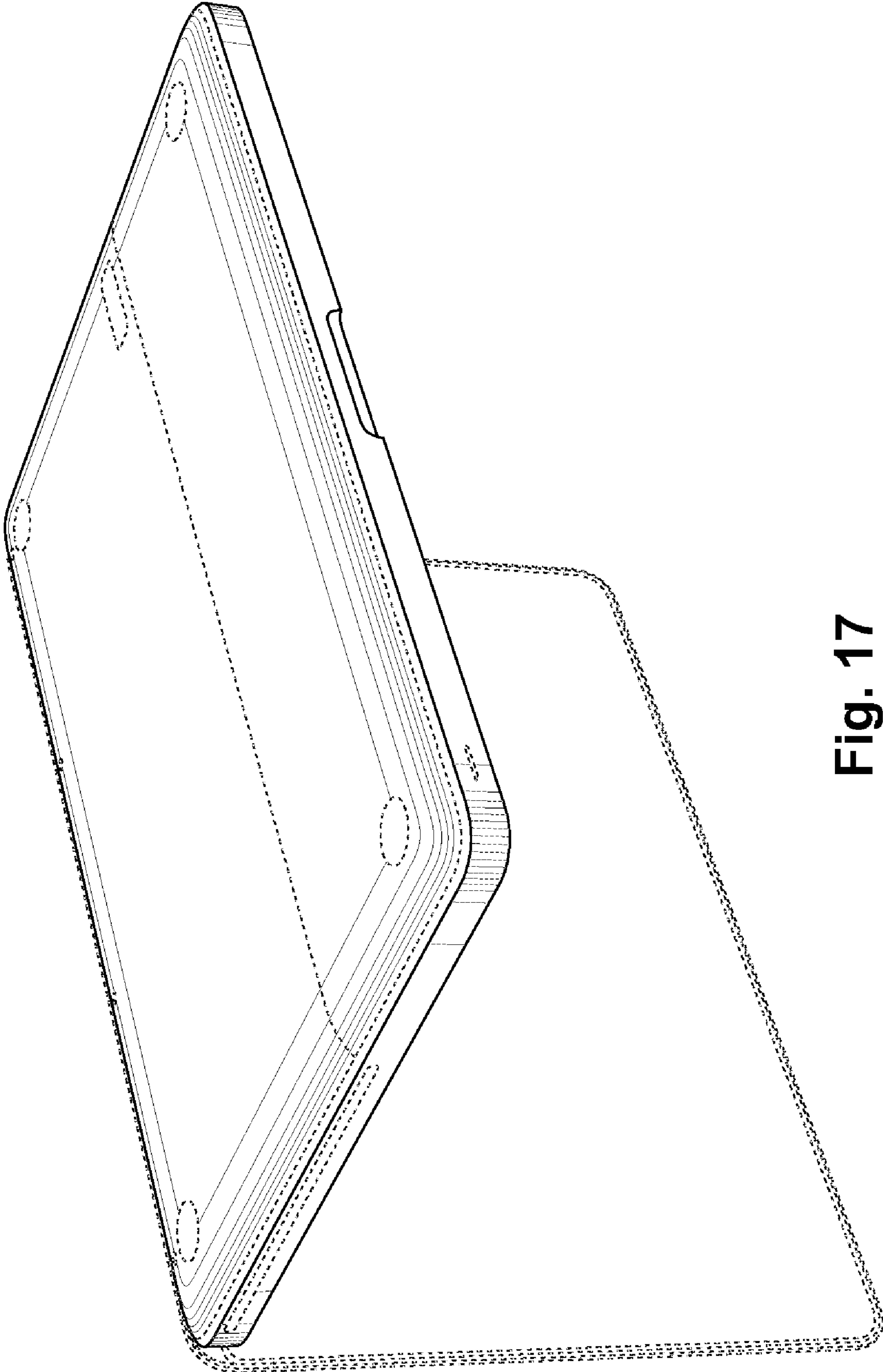


Fig. 17

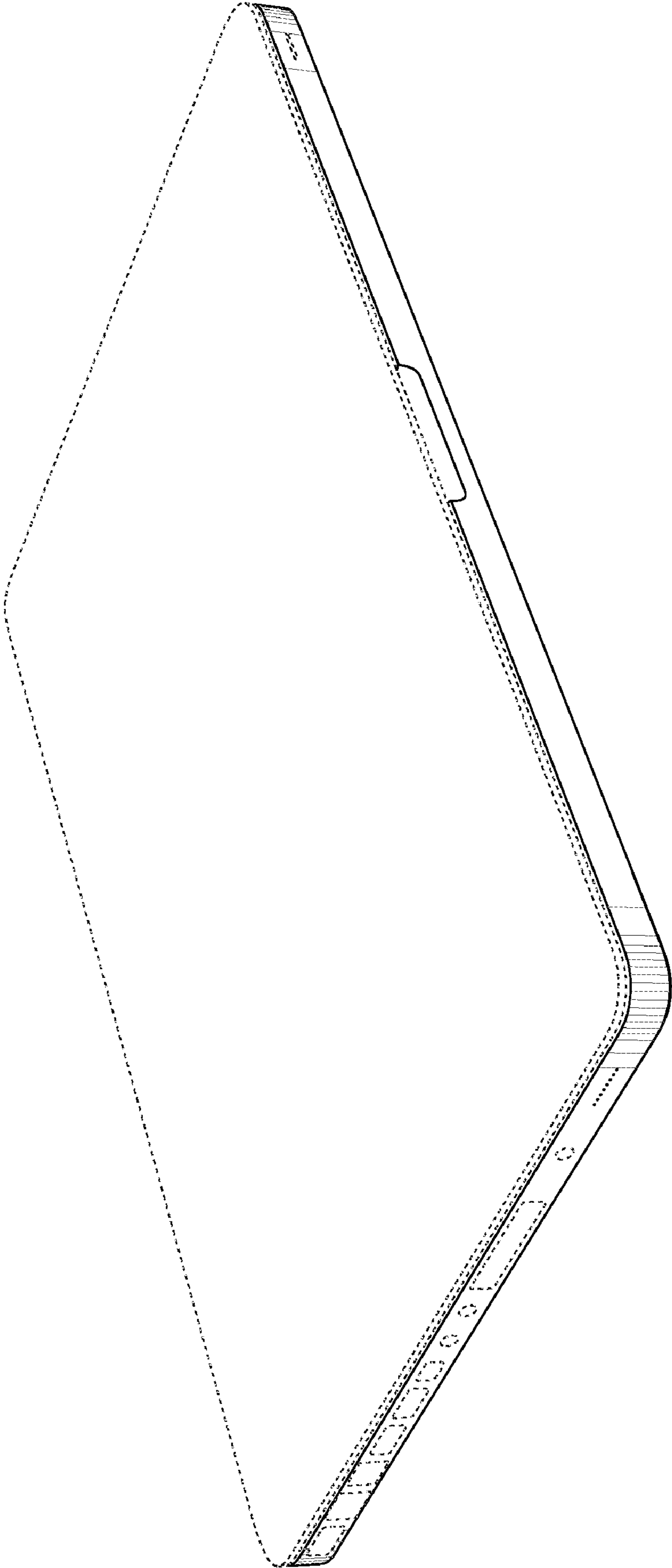


Fig. 18

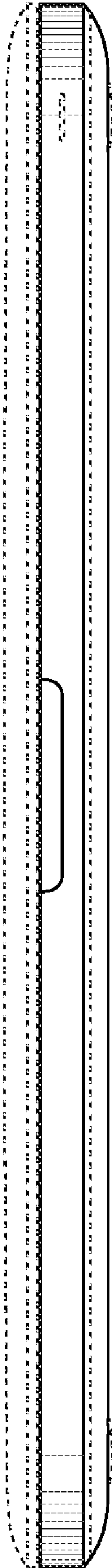


Fig. 19

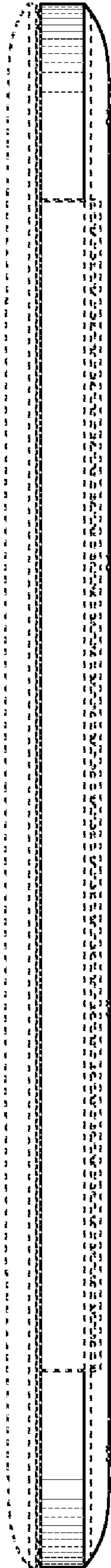
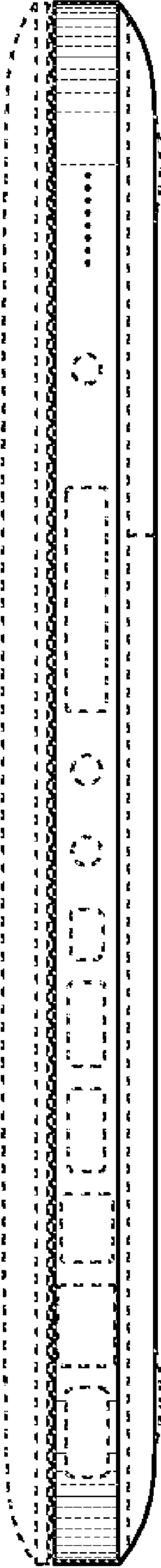
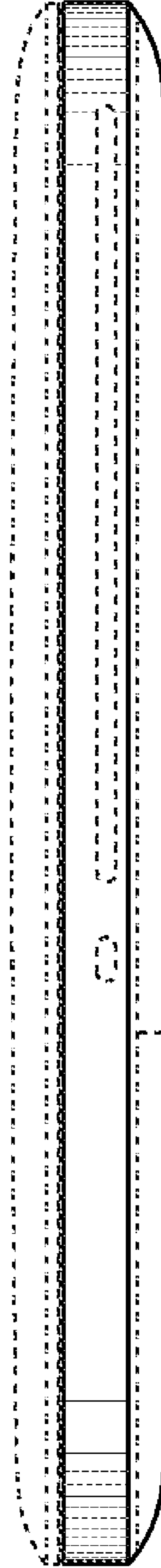


Fig. 20





**Fig. 21**



**Fig. 22**



**Fig. 23**

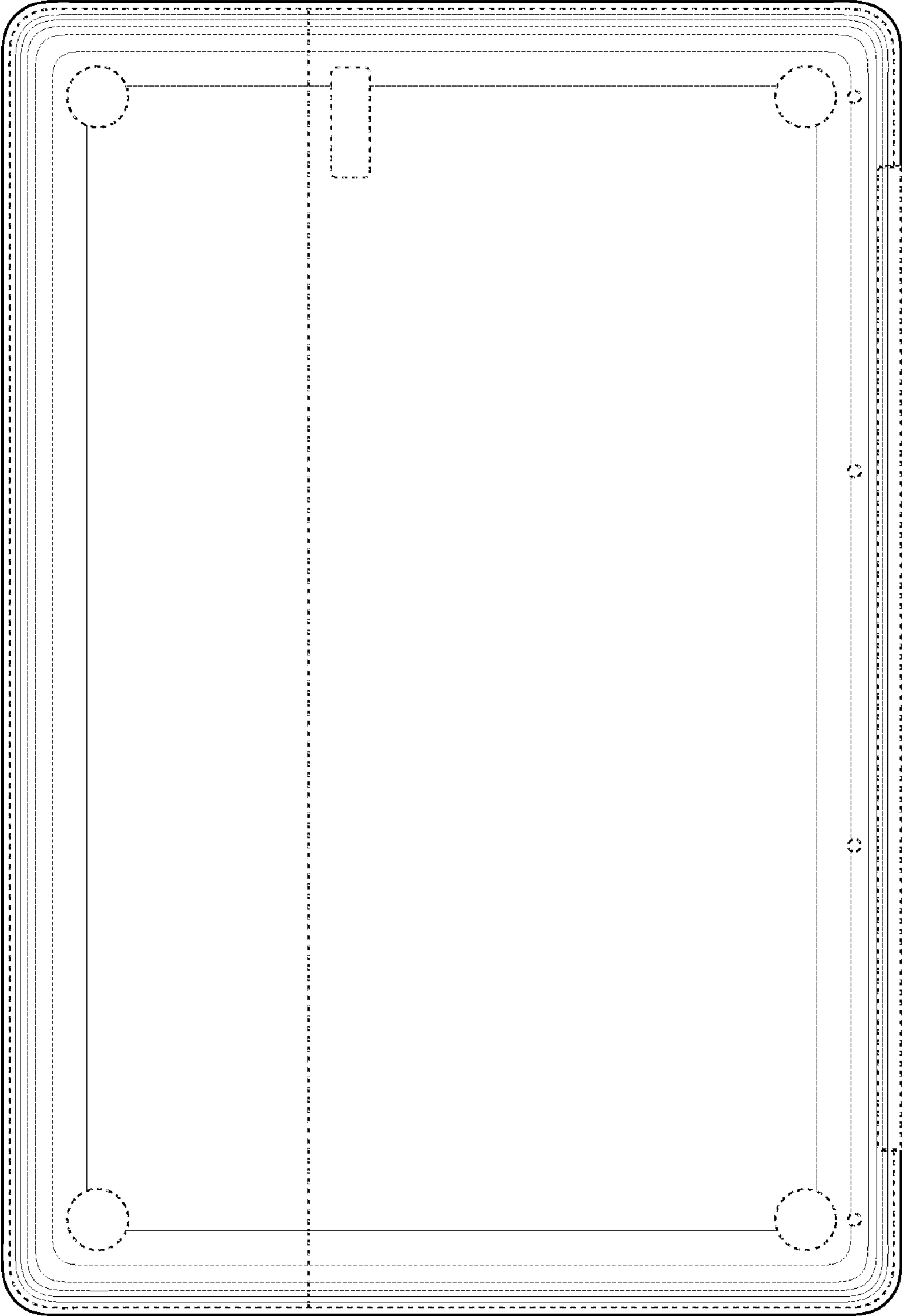


Fig. 24

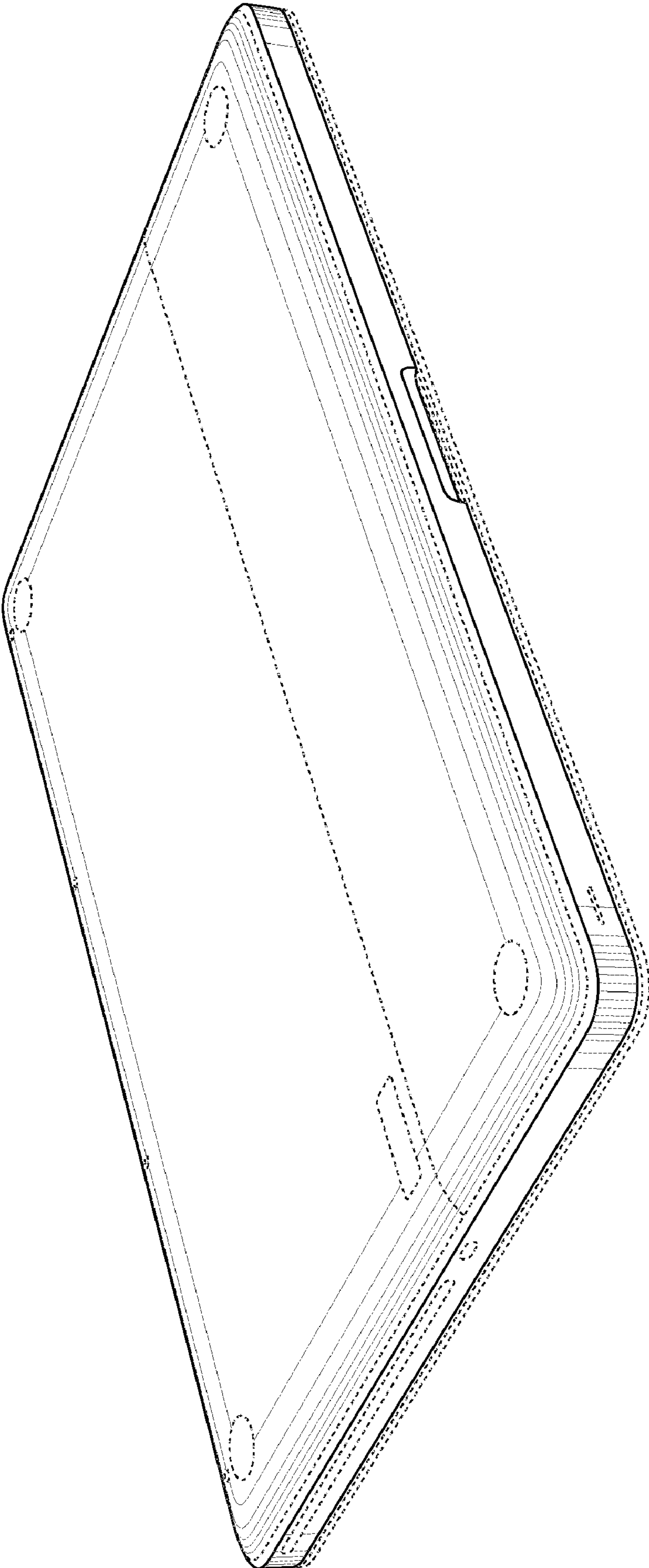


Fig. 25

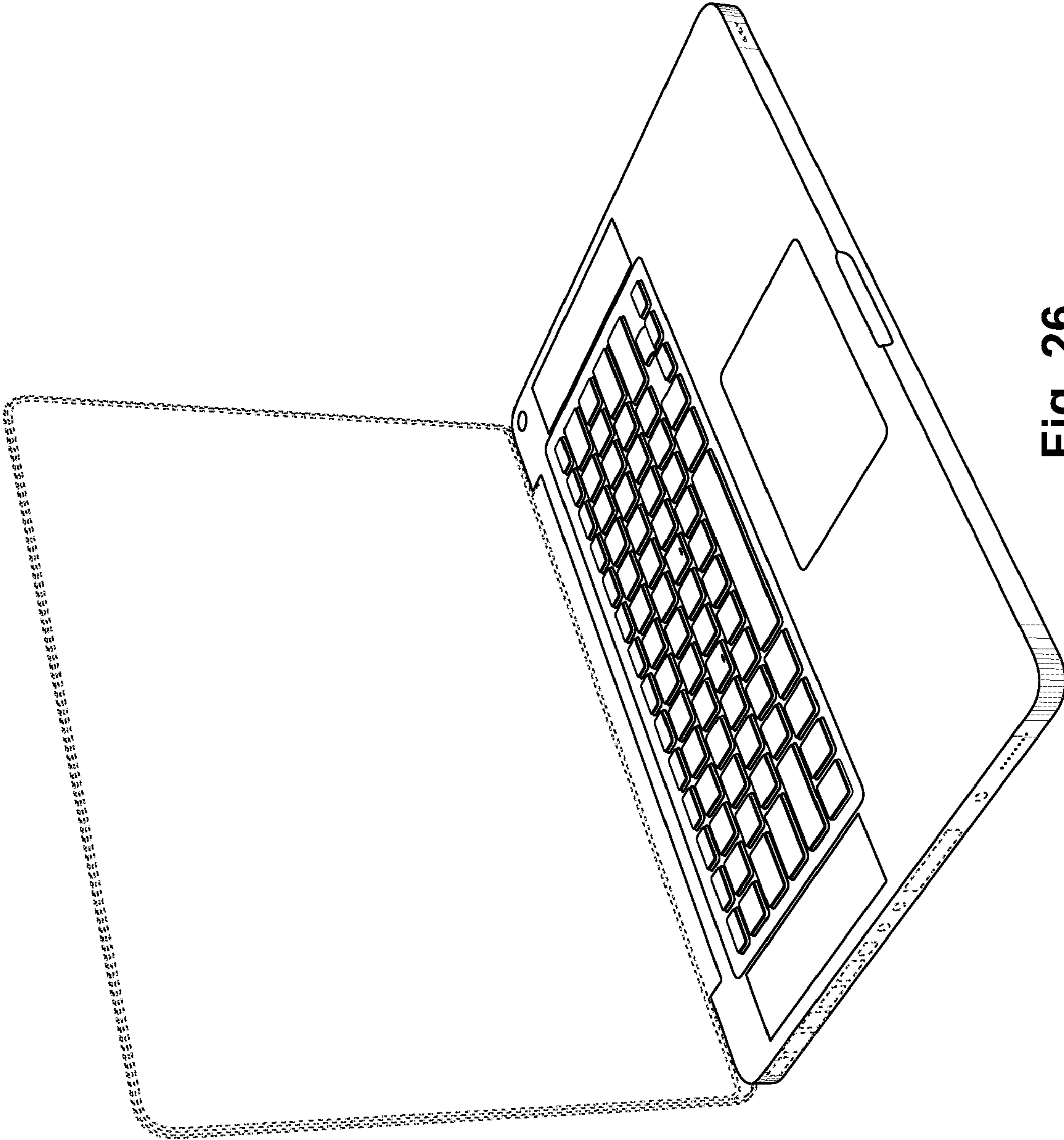


Fig. 26



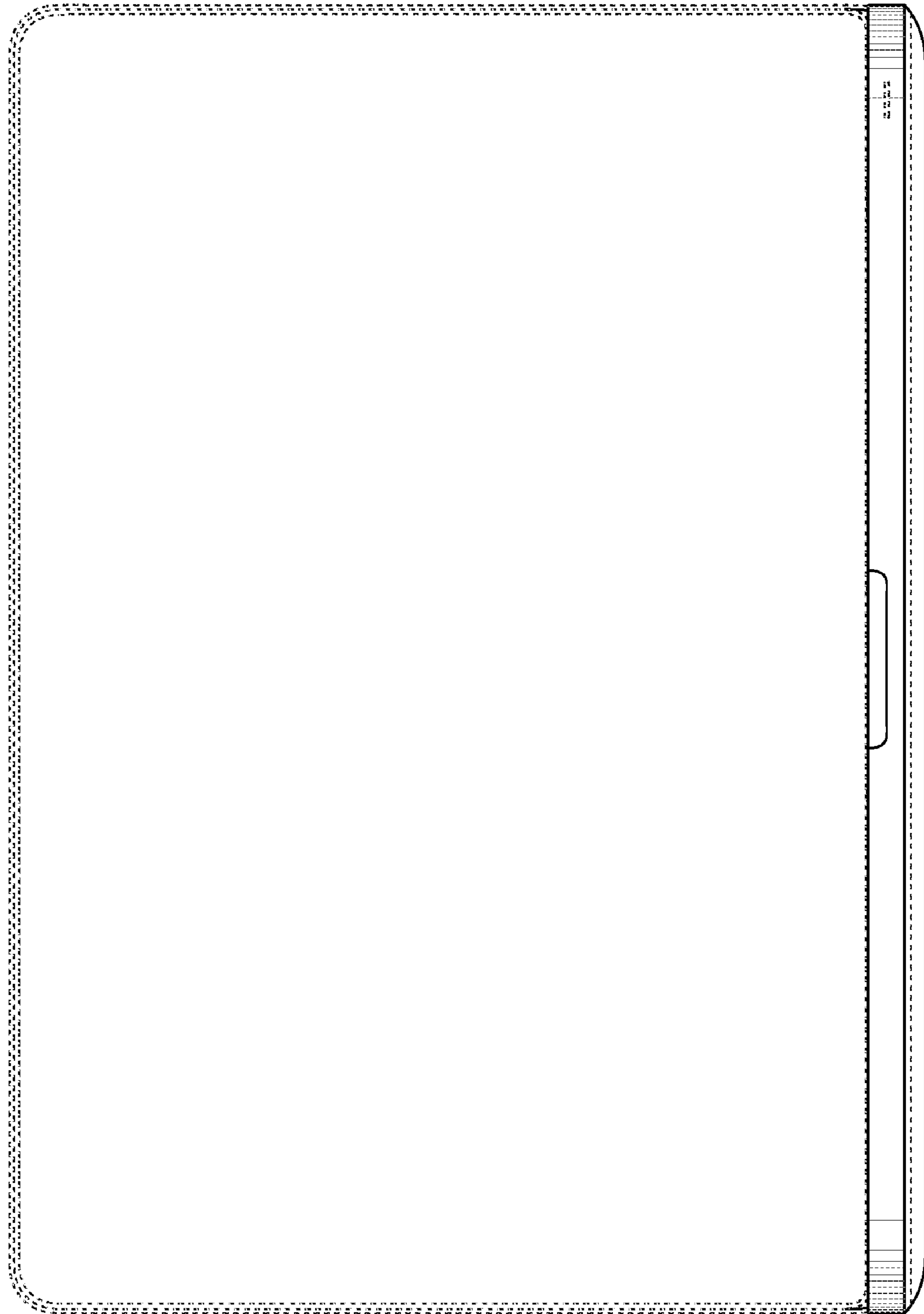
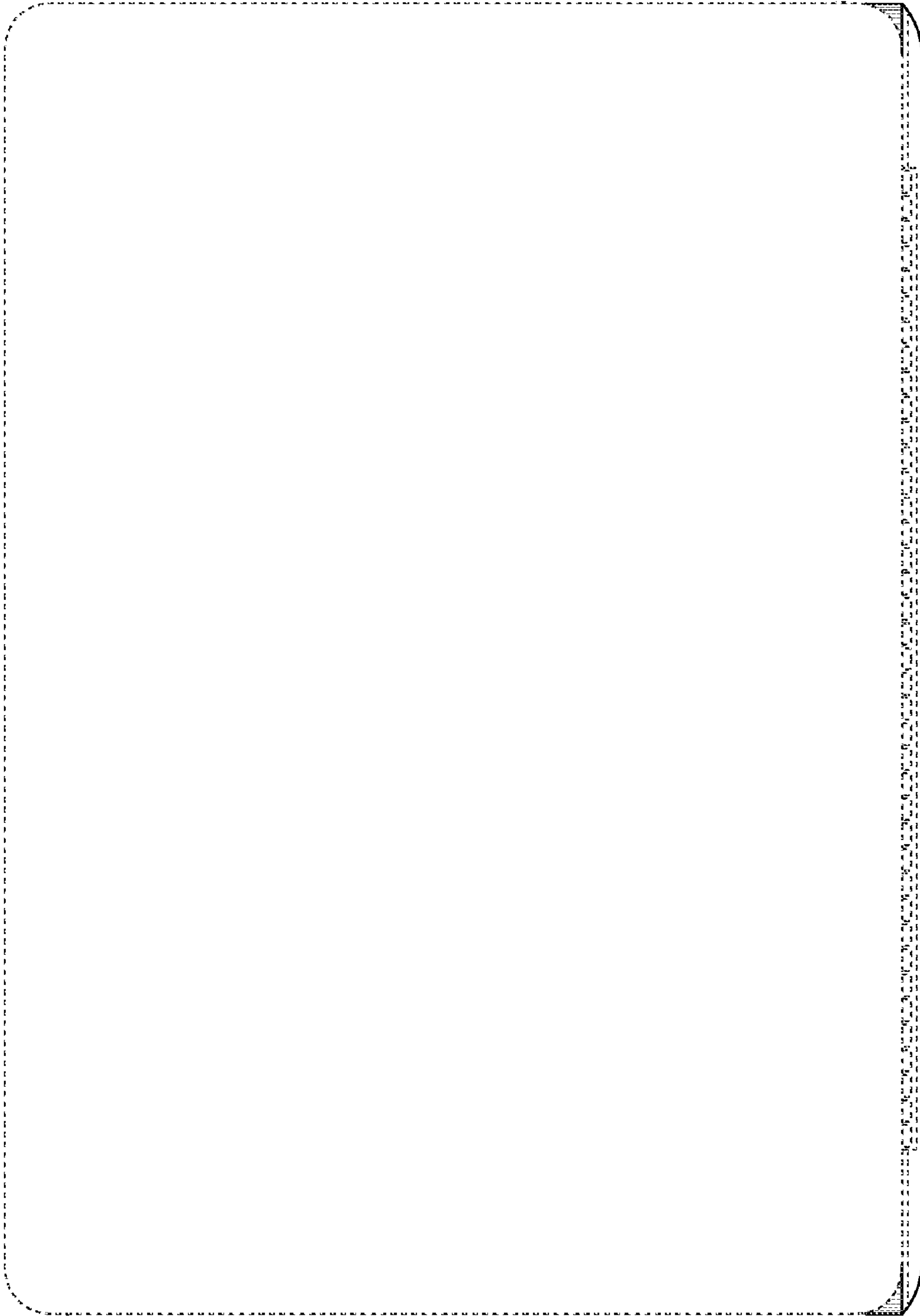


Fig. 27



**Fig. 28**

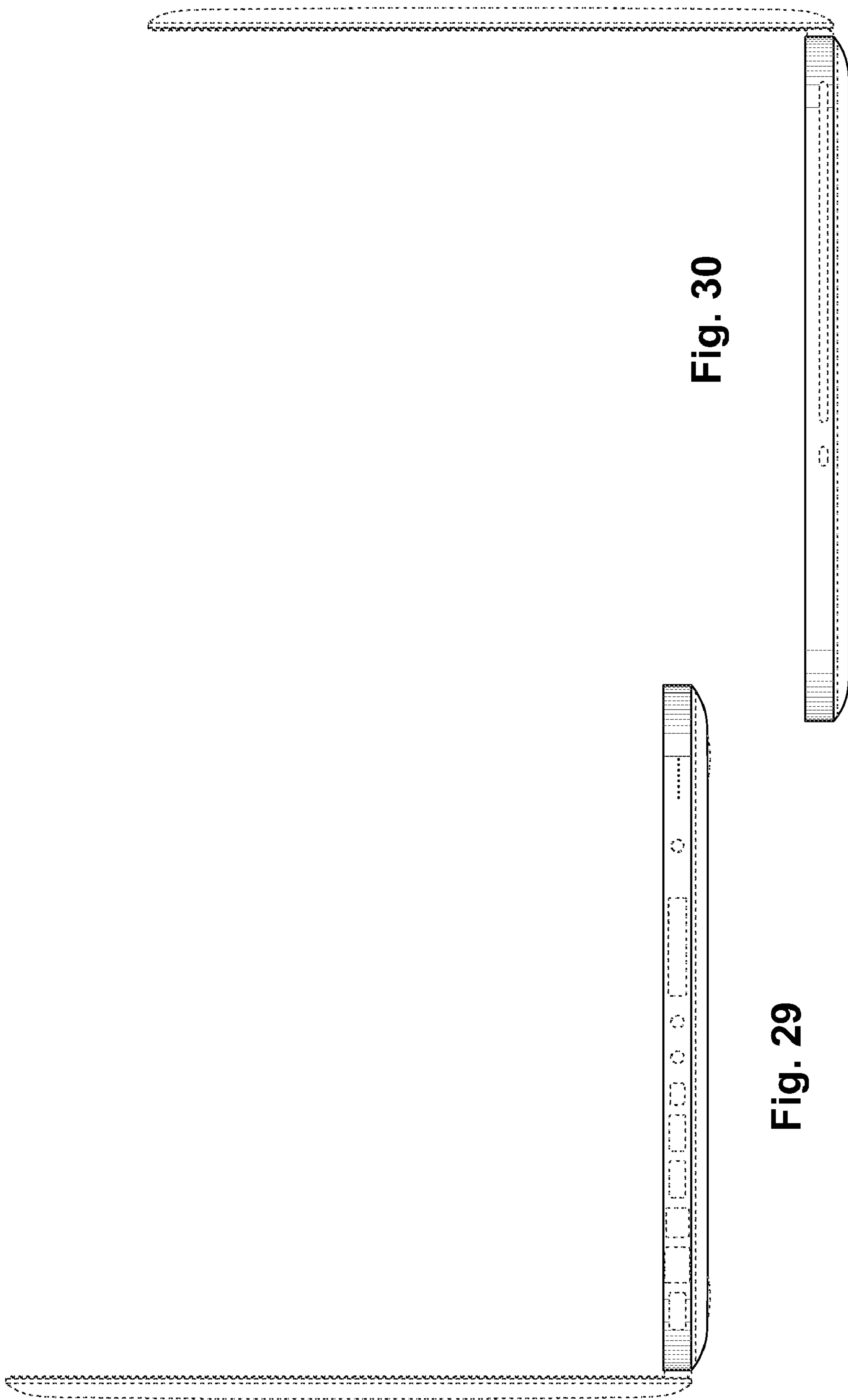


Fig. 30

Fig. 29

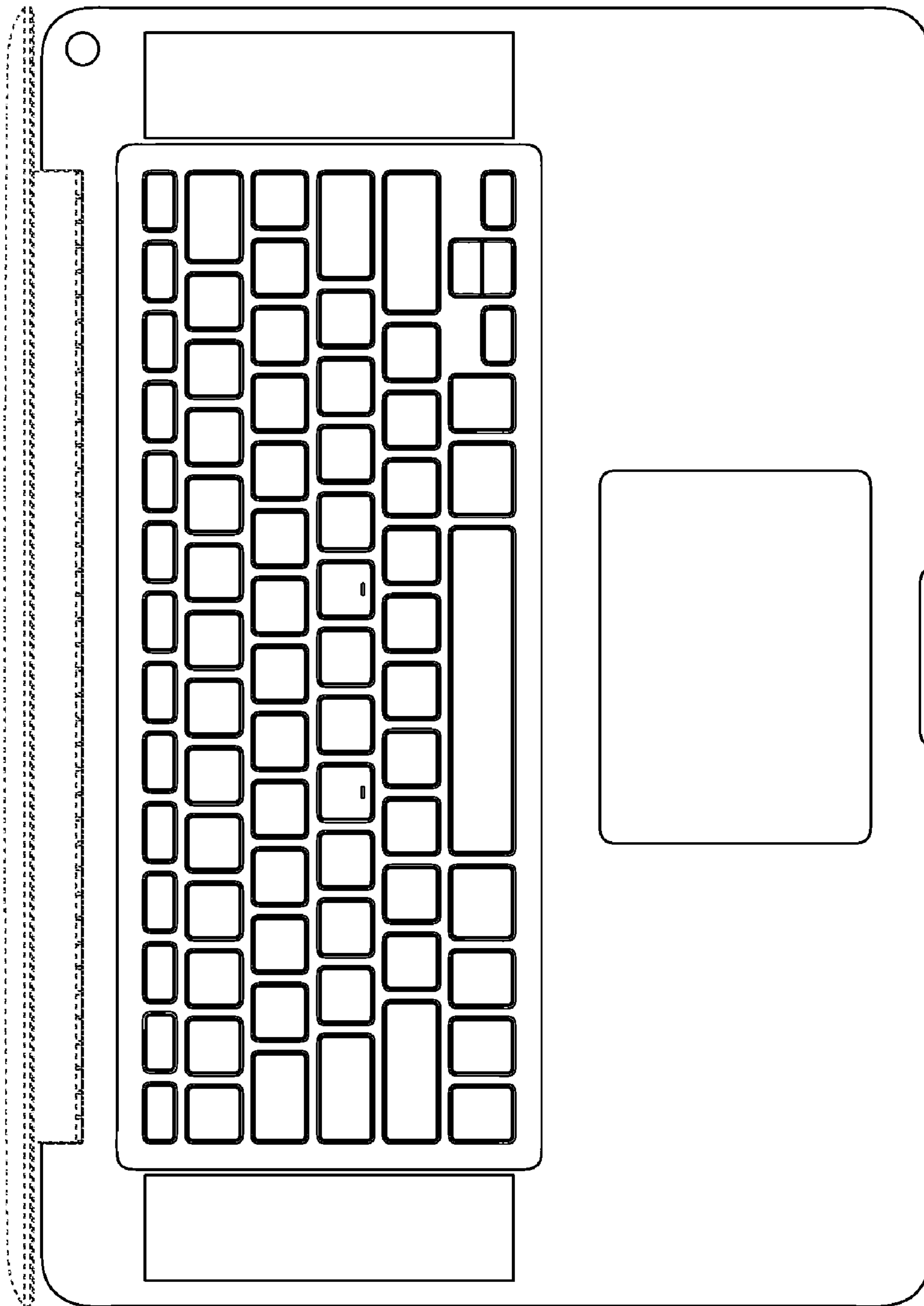


Fig. 31

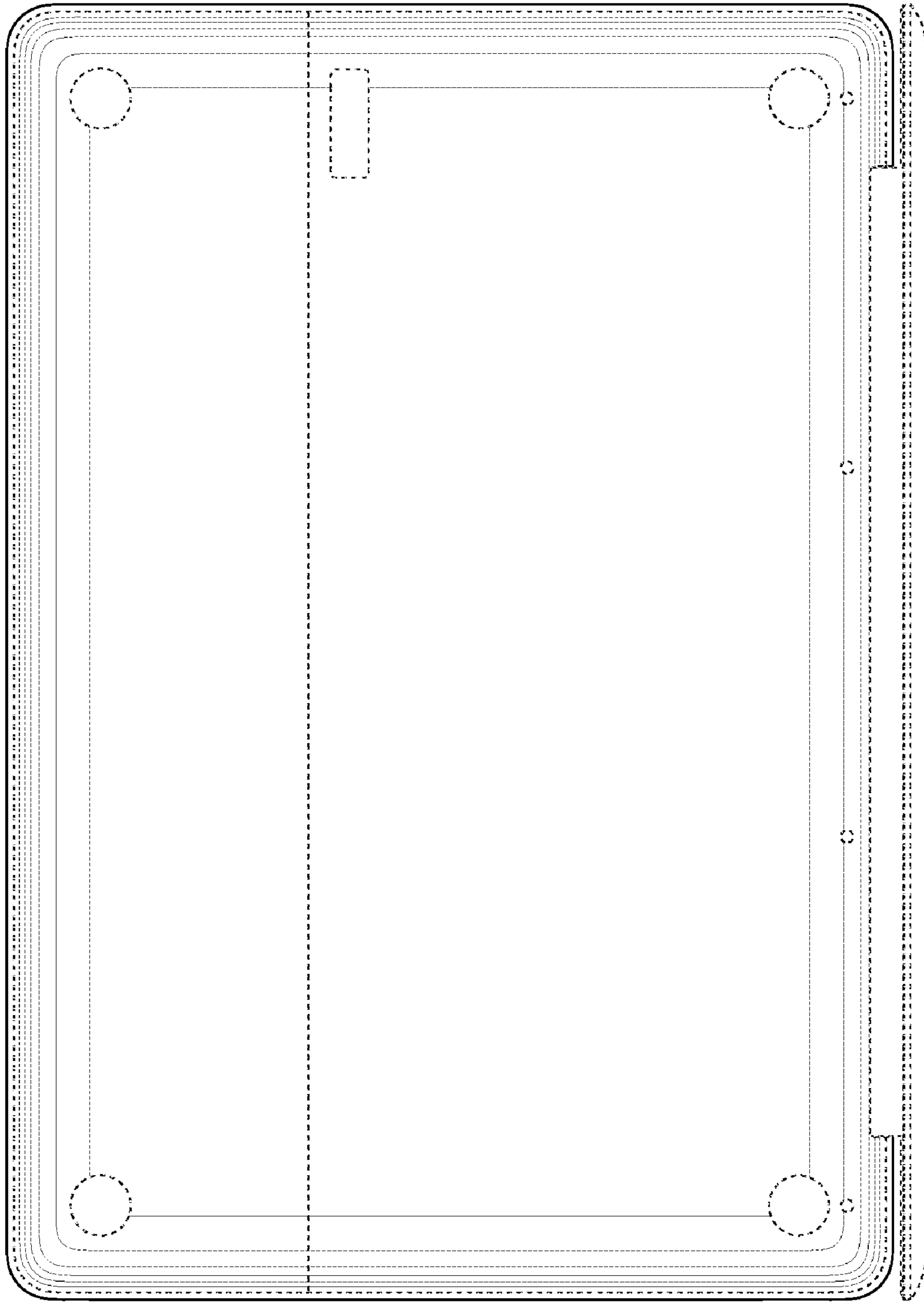


Fig. 32



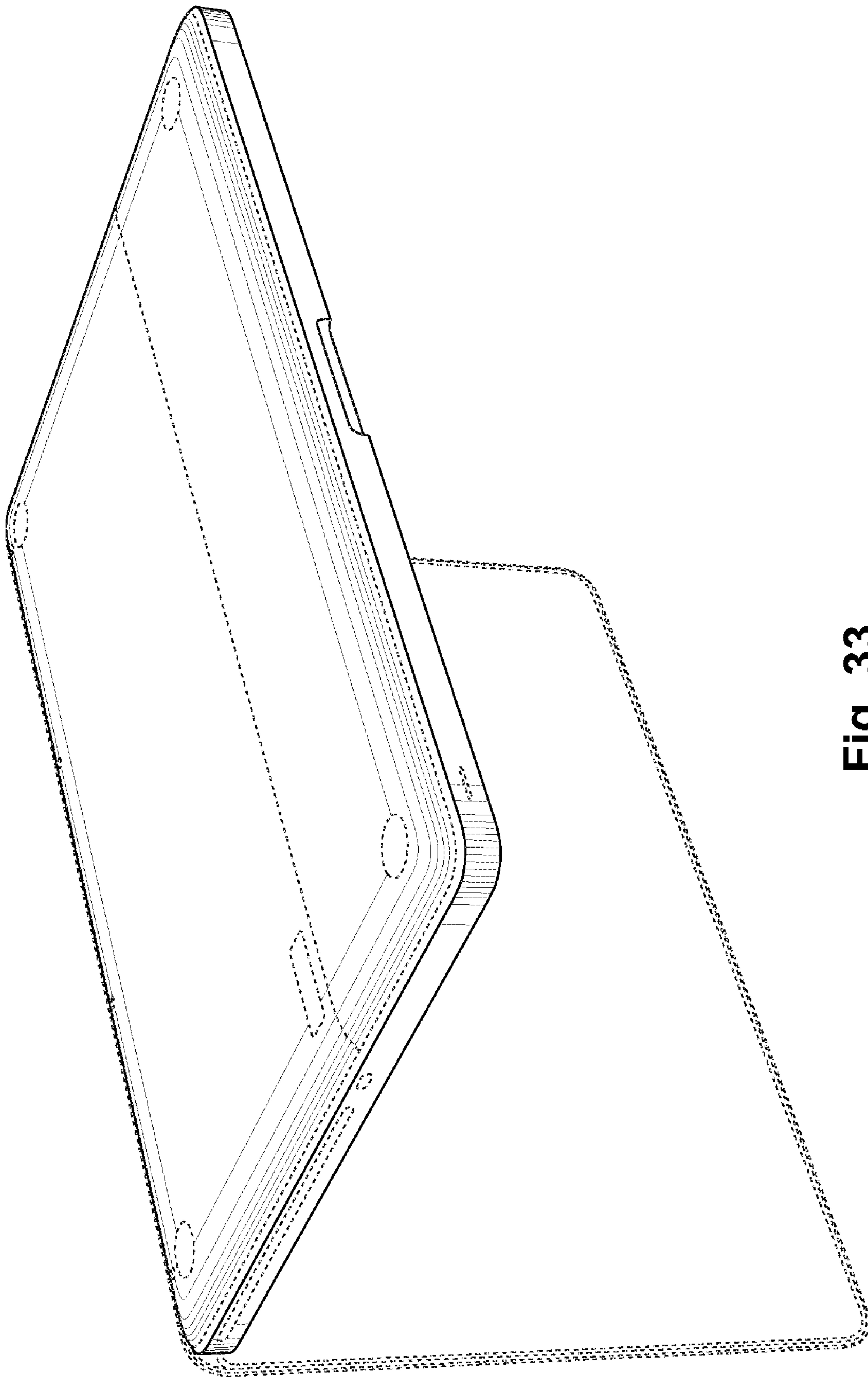


Fig. 33

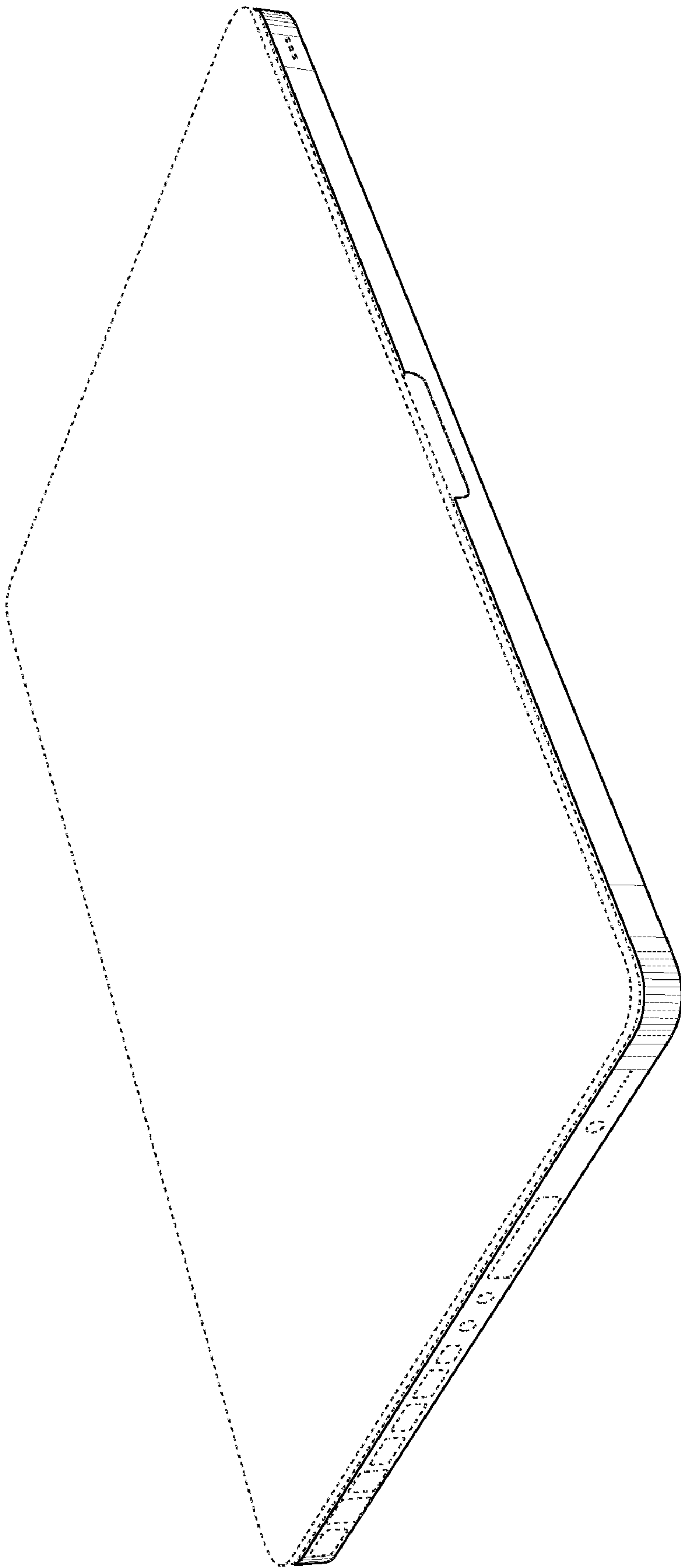
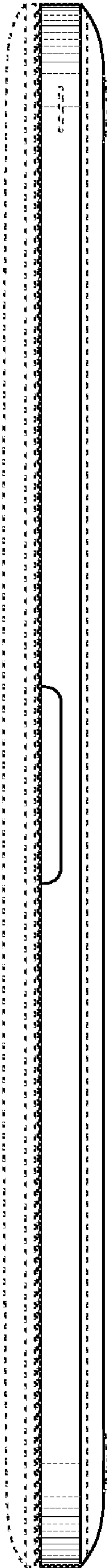
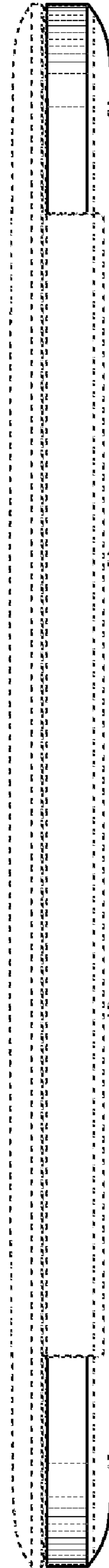


Fig. 34



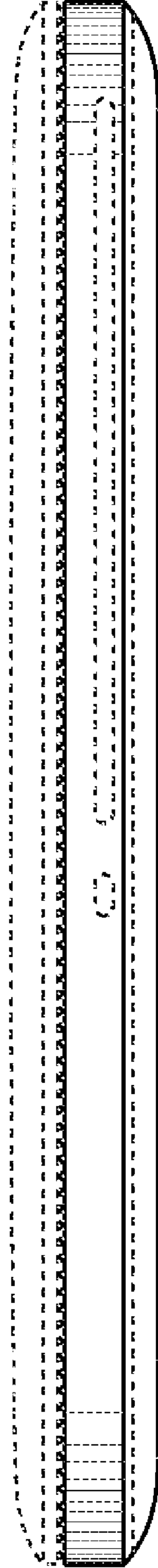
**Fig. 35**



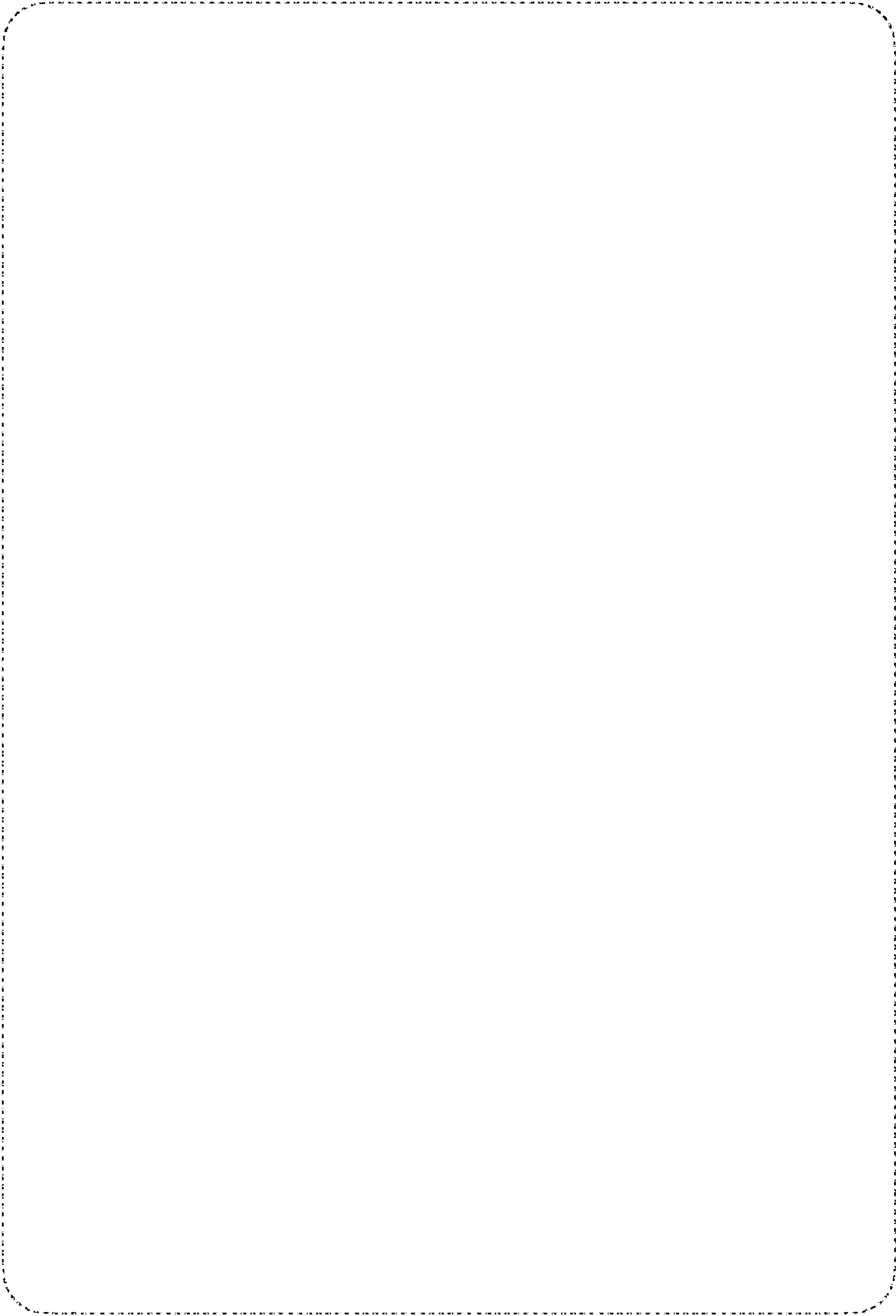
**Fig. 36**



**Fig. 37**



**Fig. 38**



**Fig. 39**

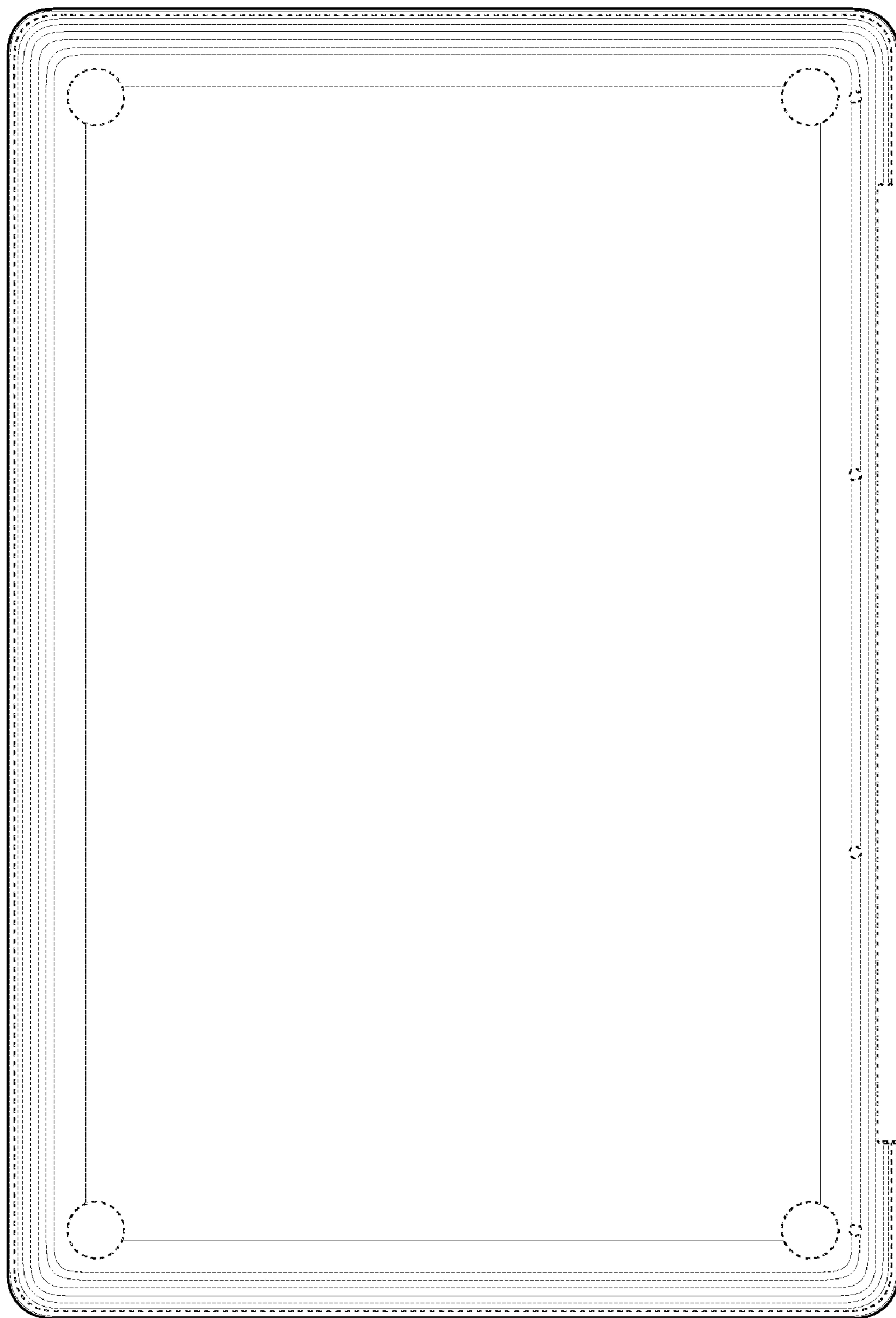


Fig. 40



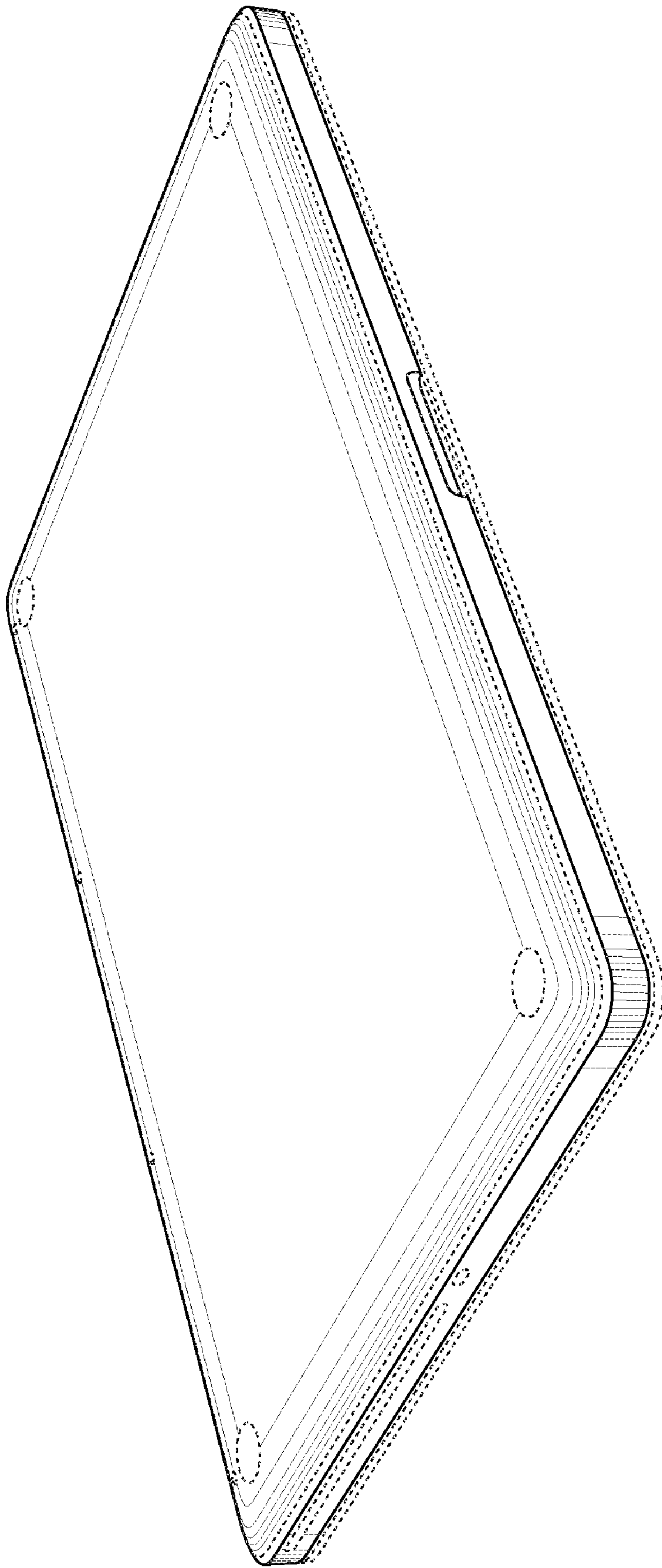


Fig. 41

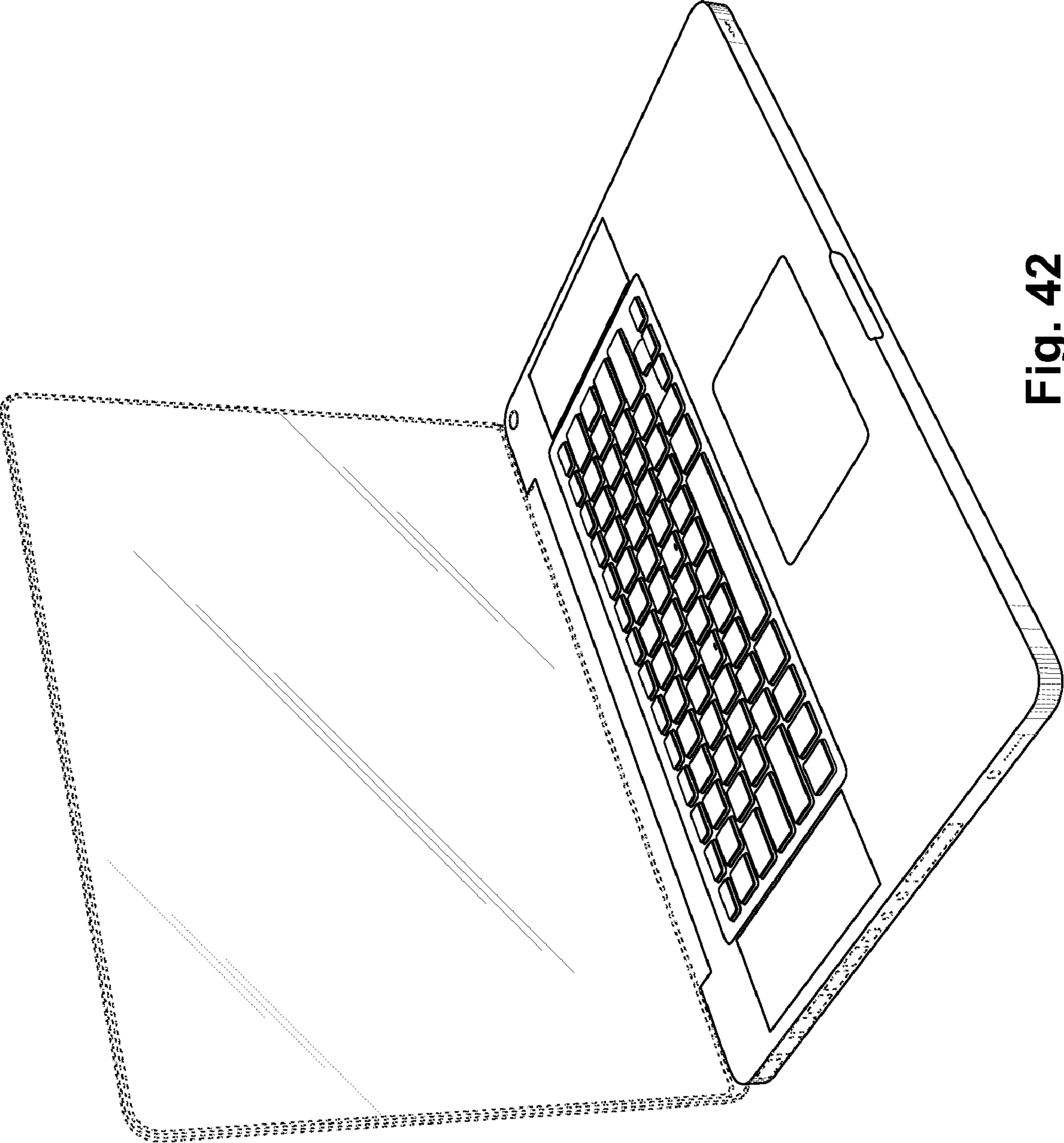


Fig. 42

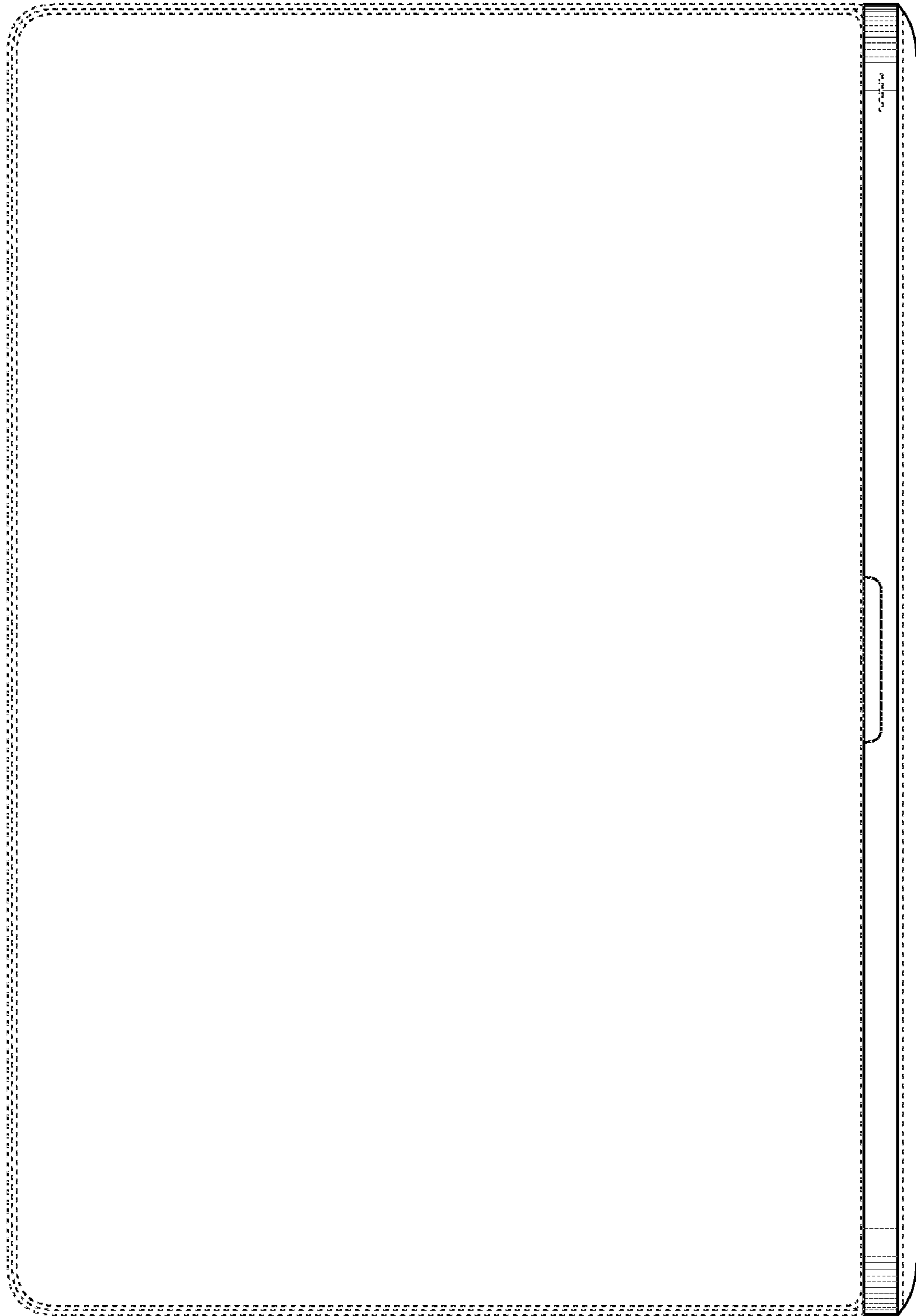
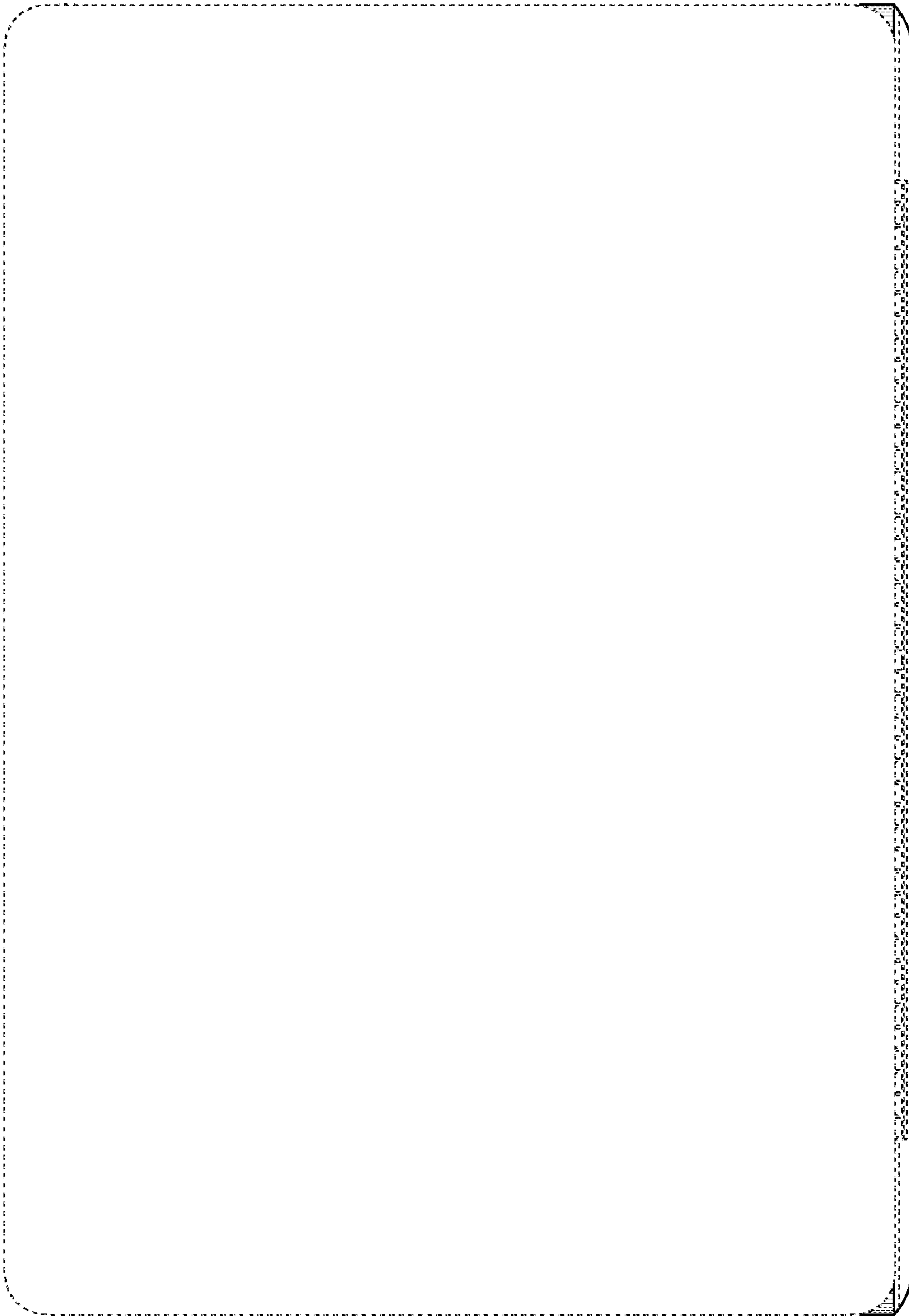


Fig. 43



**Fig. 44**

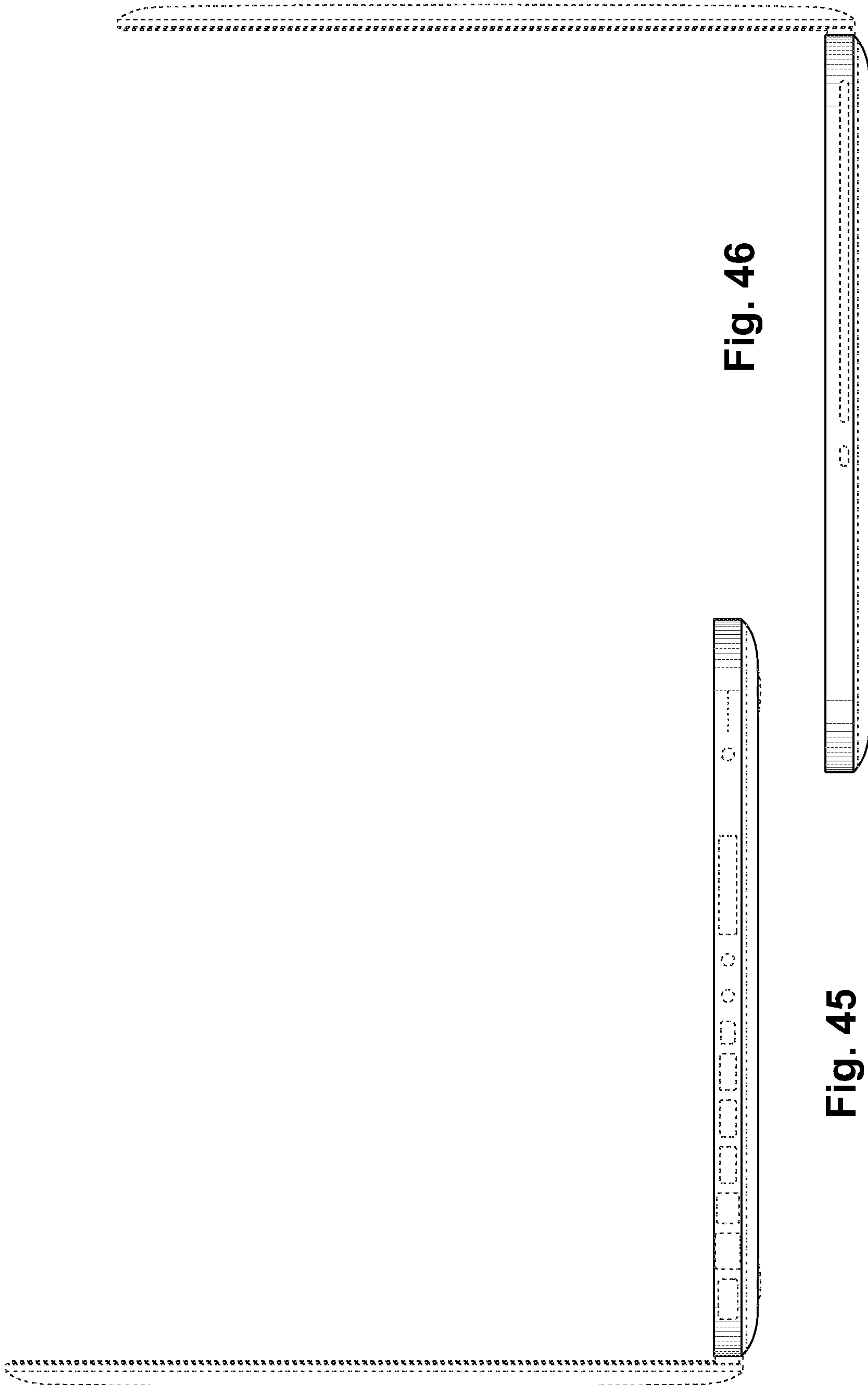


Fig. 46

Fig. 45

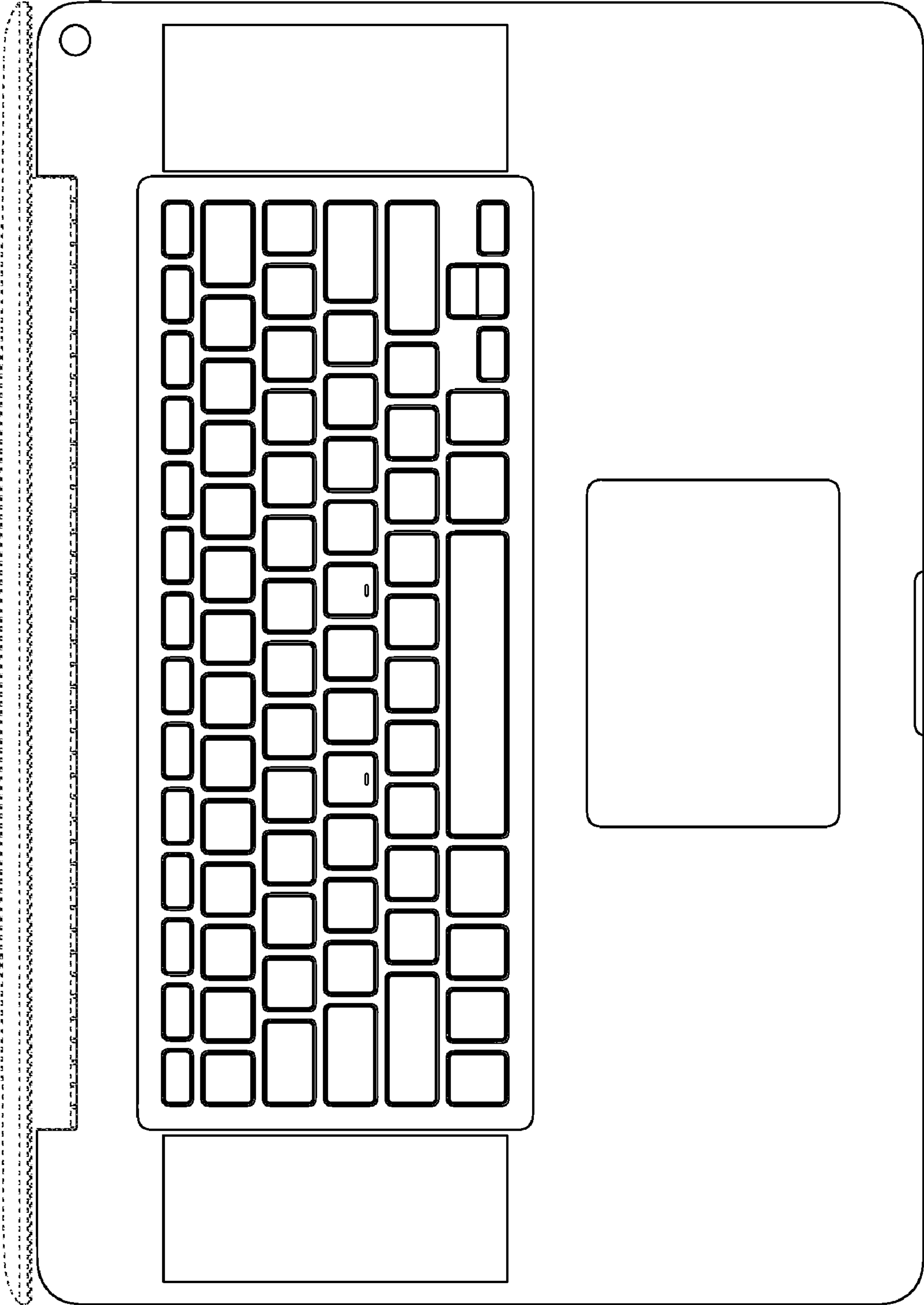


Fig. 47

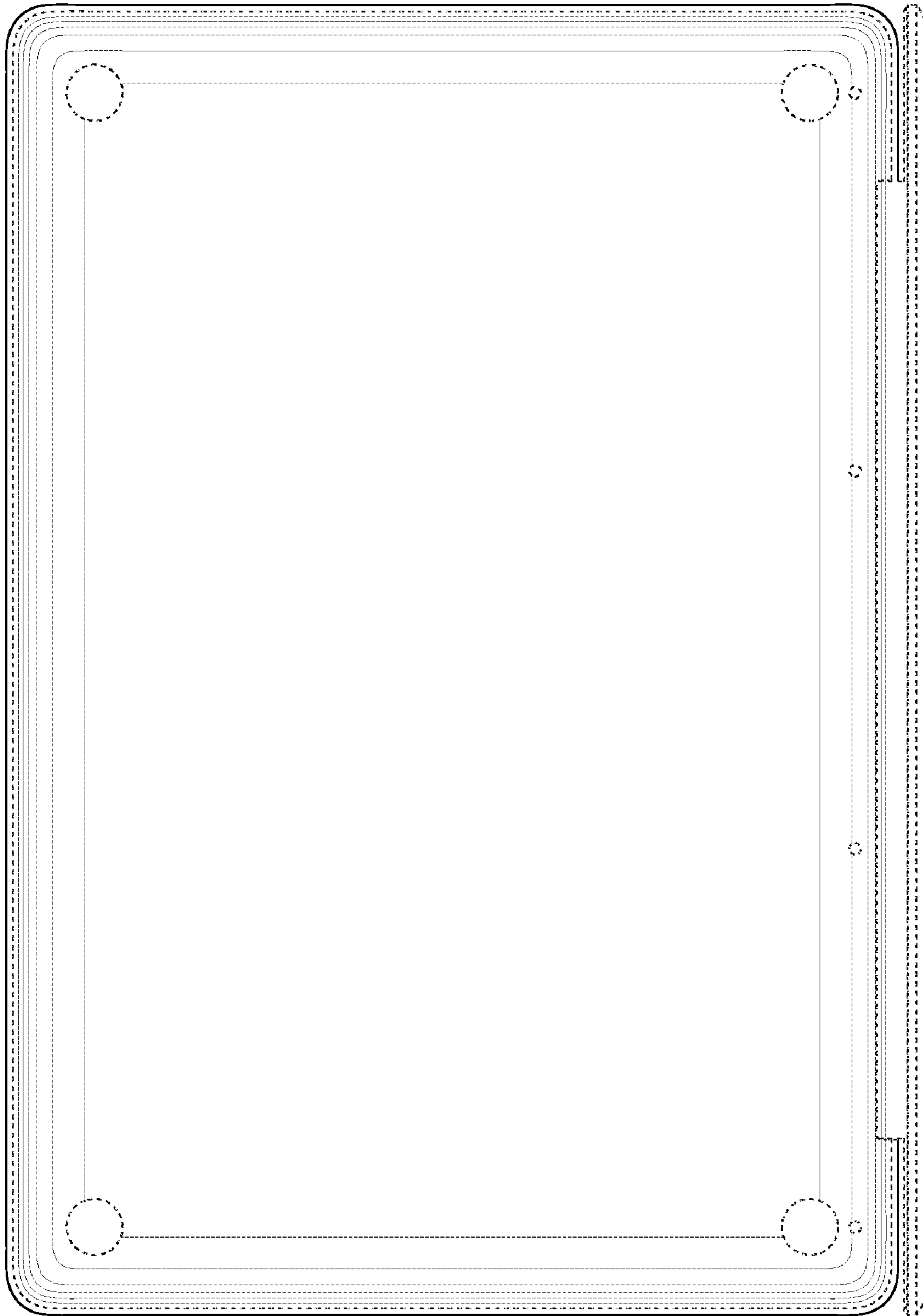


Fig. 48



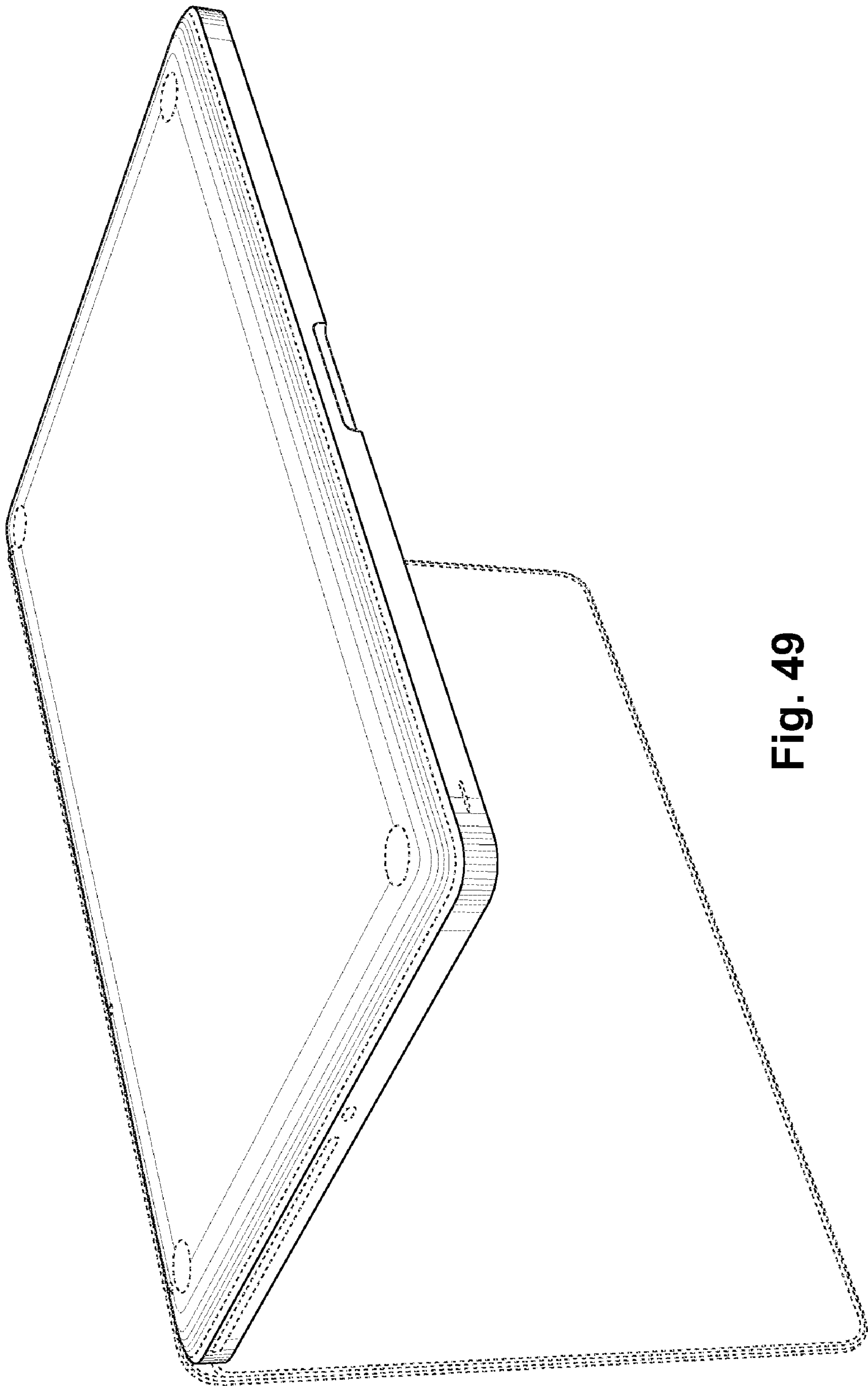


Fig. 49