



US00D623639S

(12) **United States Design Patent**  
**Richardson et al.**

(10) **Patent No.:** **US D623,639 S**  
(45) **Date of Patent:** **\*\* Sep. 14, 2010**

(54) **CASE**

(75) Inventors: **Curtis Richardson**, Fort Collins, CO (US); **Jamie Johnson**, Fort Collins, CO (US); **Stephen Willes**, Fort Collins, CO (US); **Cameron Magness**, Fort Collins, CO (US); **Travis Smith**, Fort Collins, CO (US); **Alan Morine**, Fort Collins, CO (US)

(73) Assignee: **Otter Products, LLC**, Fort Collins, CO (US)

(\*\*) Term: **14 Years**

(21) Appl. No.: **29/359,233**

(22) Filed: **Apr. 7, 2010**

(51) **LOC (9) Cl.** ..... **14-03**

(52) **U.S. Cl.** ..... **D14/250**

(58) **Field of Classification Search** ..... D14/203.1, D14/203.3, 250–253, 341–347, 358, 440, D14/450; D3/201, 218, 269, 301, 273, 276; D13/103, 107–108, 119; 220/4.02; 224/191, 224/240, 241, 245, 682–683; 248/206.2–206.4, 248/220.21, 279.1, 309.1; 361/679.3, 679.56; 379/420.04, 426, 433.11, 446–447, 454, 379/455; 455/575.1, 575.6, 575.7, 575.8, 455/575.9; 190/100; 206/305, 320  
See application file for complete search history.

(56) **References Cited**

**U.S. PATENT DOCUMENTS**

D156,107 S *	11/1949	Horton	.....	D3/276
D349,102 S *	7/1994	Ziegler et al.	.....	D14/450
D487,742 S *	3/2004	Huang et al.	.....	D14/341
D488,468 S *	4/2004	Hu	.....	D14/341
D488,469 S *	4/2004	Batsikas	.....	D14/341
D516,553 S *	3/2006	Richardson et al.	.....	D14/341
D518,019 S *	3/2006	Ching	.....	D14/203.3
D530,079 S *	10/2006	Thomas et al.	.....	D14/203.3
D543,700 S *	6/2007	Parker et al.	.....	D3/294
D551,847 S *	10/2007	Yeap et al.	.....	D3/201
D556,681 S *	12/2007	Kim	.....	D13/103
D557,897 S *	12/2007	Richardson et al.	.....	D3/294
D560,350 S *	1/2008	Scapillato et al.	.....	D3/201

D563,093 S *	3/2008	Nussberger et al.	.....	D3/201
D572,479 S *	7/2008	Buck et al.	.....	D3/282
D572,480 S *	7/2008	Buck et al.	.....	D3/294
D574,819 S *	8/2008	Andre et al.	.....	D14/250
D577,904 S *	10/2008	Sasaki	.....	D3/201
D581,421 S *	11/2008	Richardson et al.	.....	D14/440
D593,319 S *	6/2009	Richardson et al.	.....	D3/218
D599,346 S *	9/2009	Thia et al.	.....	D14/356
D600,013 S *	9/2009	McCune	.....	D3/273
7,609,512 B2 *	10/2009	Richardson et al.	....	361/679.41
D609,276 S *	2/2010	Axel et al.	.....	D19/86
D615,535 S *	5/2010	Richardson et al.	.....	D14/250
D615,536 S *	5/2010	Richardson et al.	.....	D14/250

**OTHER PUBLICATIONS**

iPad Commuter Series Case, <URL:http://www.otterbox.com/ipad-cases/ipad-commuter-series-case/>, retrieved from internet Jul. 2, 2010.\*

(Continued)

*Primary Examiner*—Robert M Spear  
*Assistant Examiner*—Carla Jobe Wright

(57) **CLAIM**

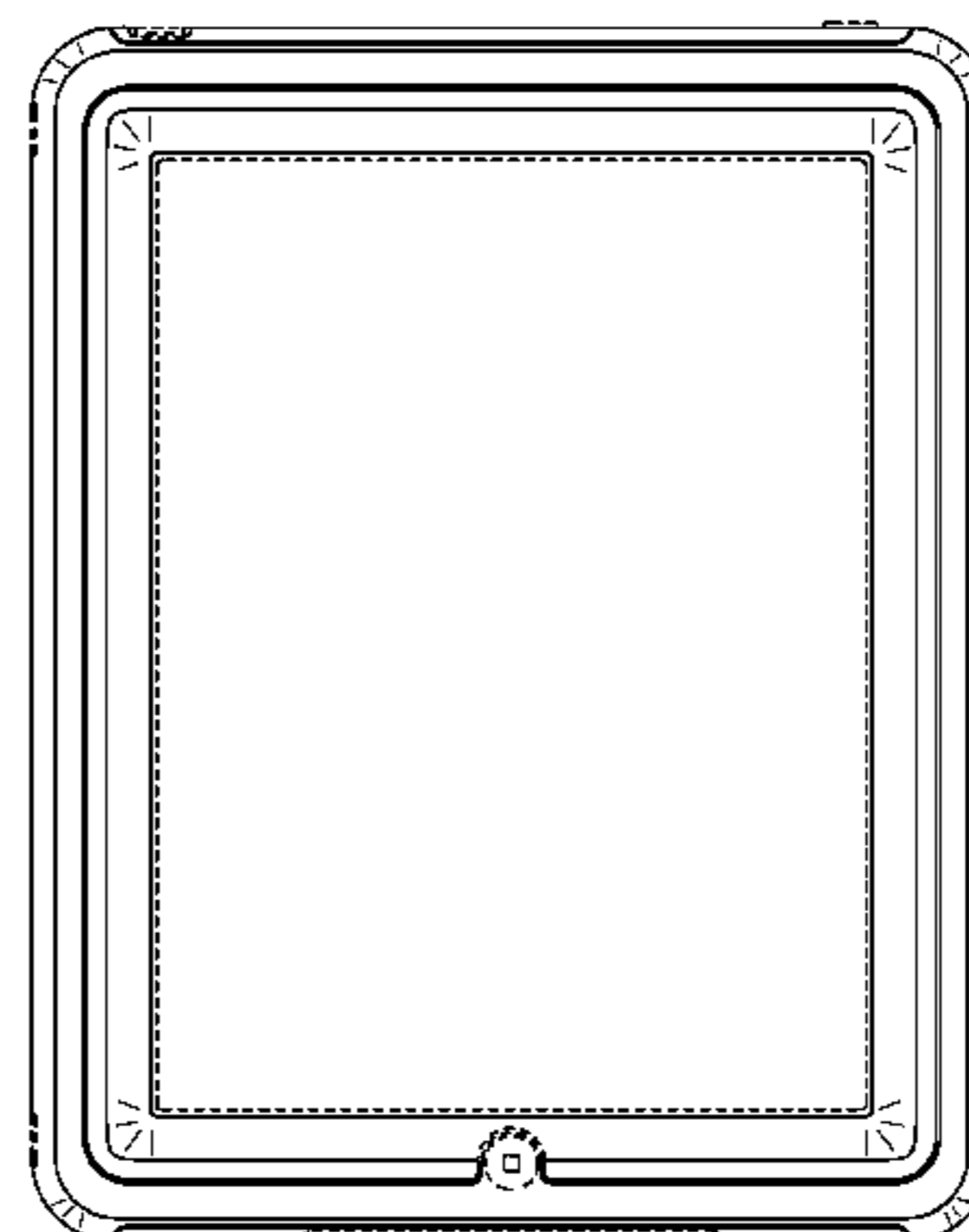
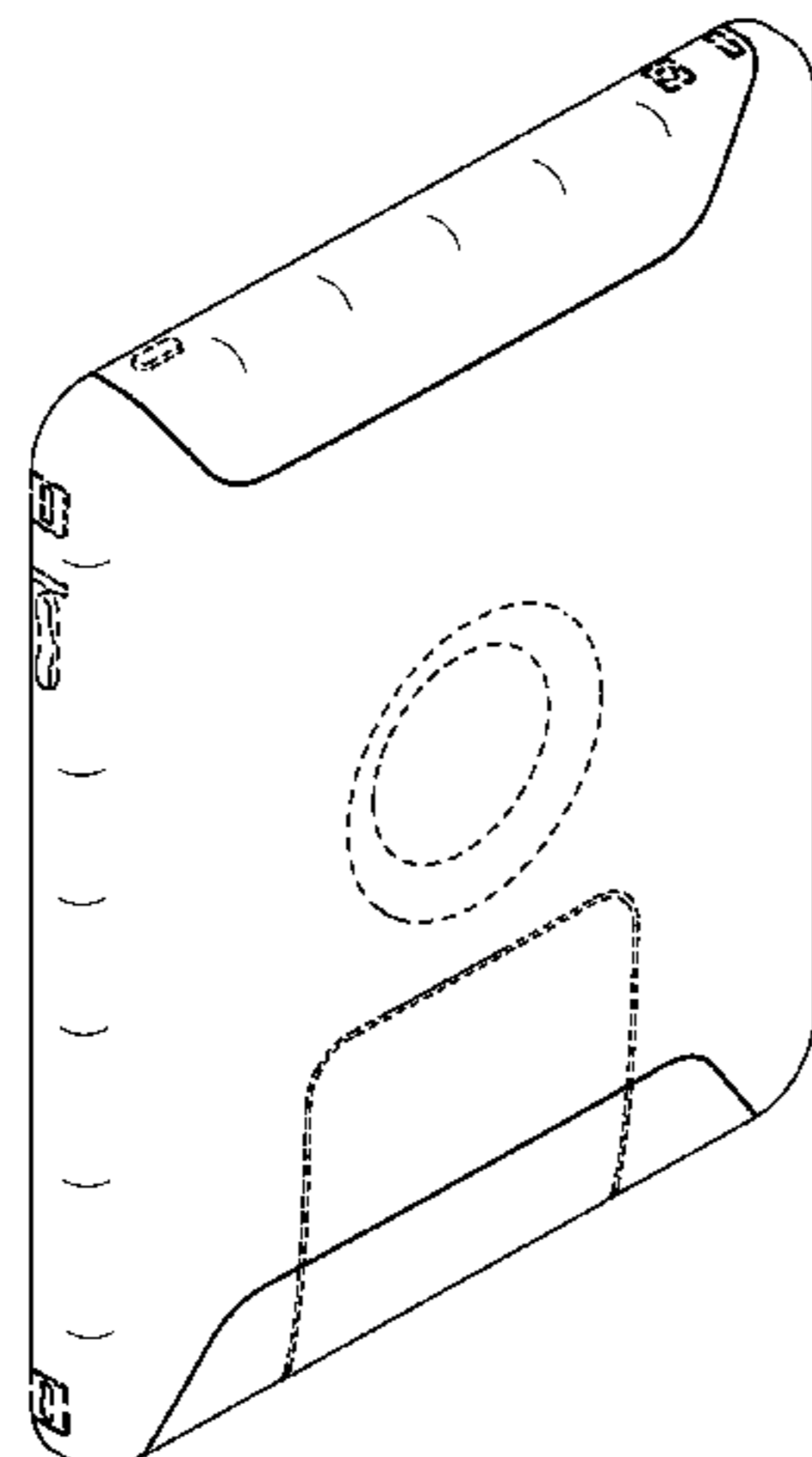
The ornamental design for a case, as shown and described.

**DESCRIPTION**

FIG. 1 is an isometric view of a case showing our new design; FIG. 2 is an isometric view thereof; FIG. 3 is a front view thereof; FIG. 4 is a rear view thereof; FIG. 5 is a right view thereof; FIG. 6 is a left view thereof; FIG. 7 is a top view thereof; and, FIG. 8 is a bottom view thereof.

The broken lines immediately adjacent the claimed surfaces represent boundaries of the claimed design. All other broken lines are directed to environment. The broken lines and unshaded regions bounded by broken lines form no part of the claimed design.

**1 Claim, 6 Drawing Sheets**



OTHER PUBLICATIONS

iPad Defender Series Case, <URL:<http://www.otterbox.com/ipad-cases/ipad-defender-series-case/>>, retrieved from internet Jul. 2, 2010.\*

FlexCase—Smoke, <URL:<http://www.seidioonline.com/product-p/cstipd-sk.htm>>, retrieved from internet Jul. 2, 2010.\*

Premium Skin Case—White, <URL:<http://www.seidioonline.com/product-p/cskipd-cl.htm>>, retrieved from internet Jul. 2, 2010.\*

\* cited by examiner

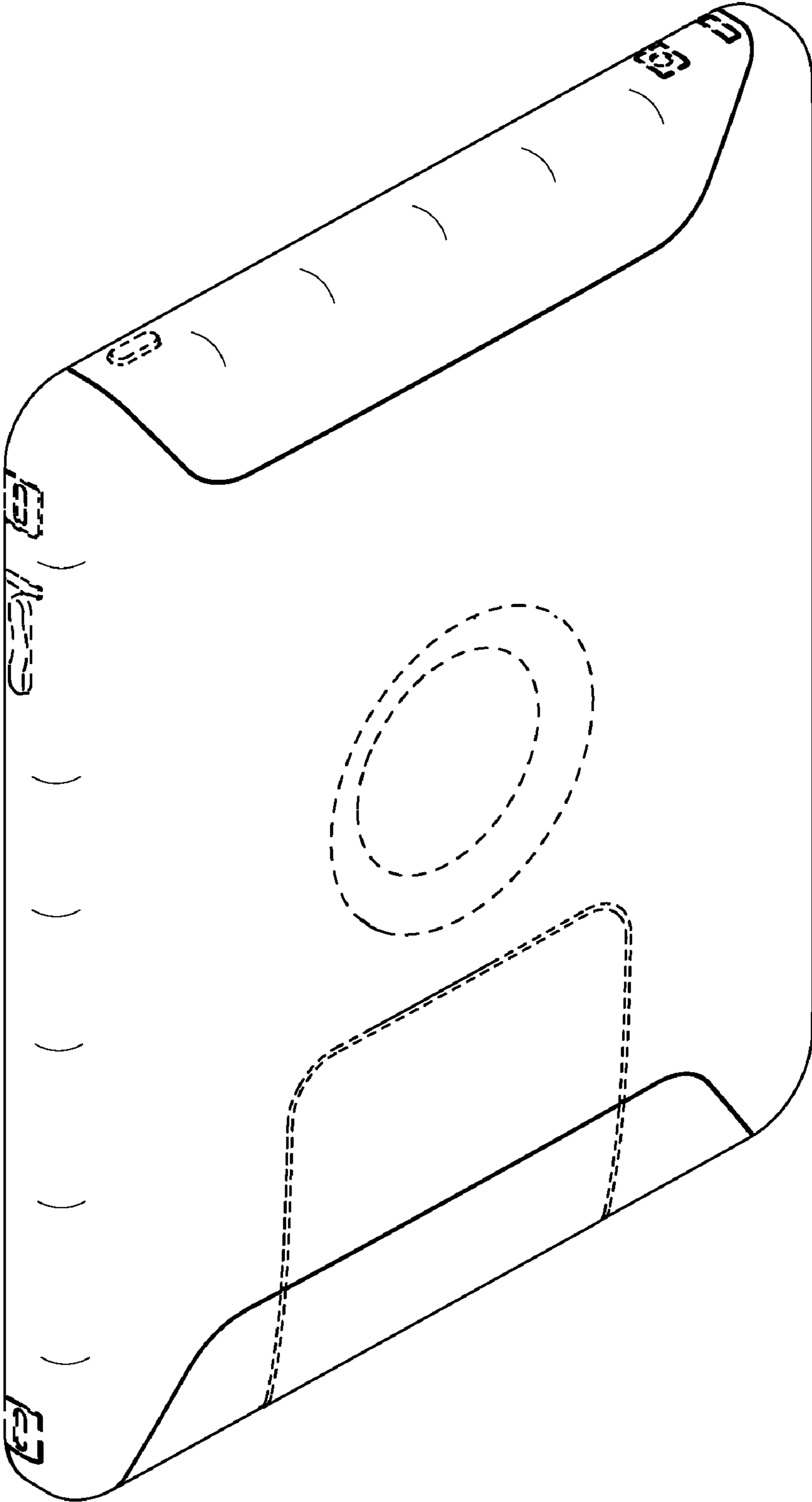


FIG. 1

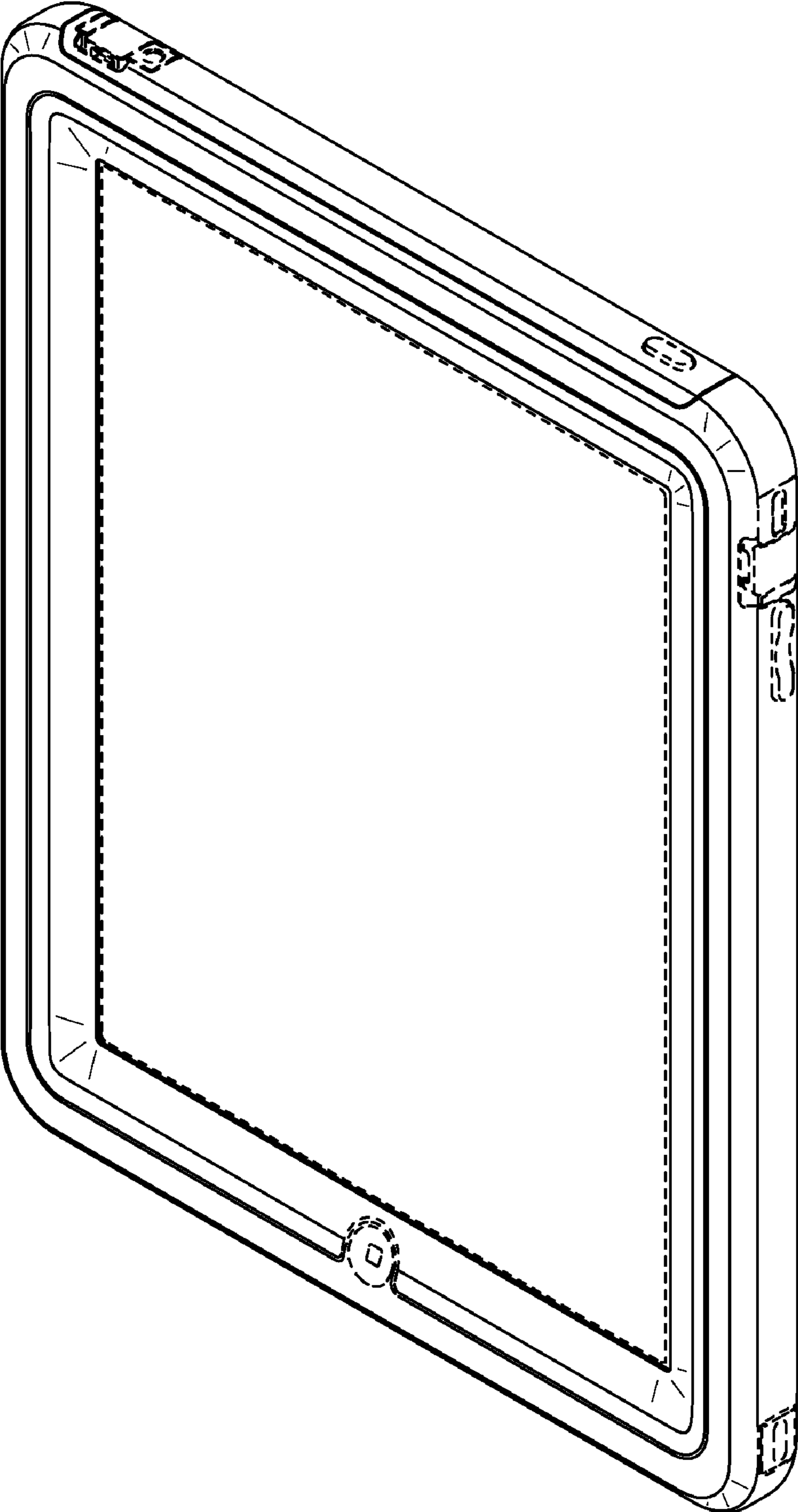


FIG. 2

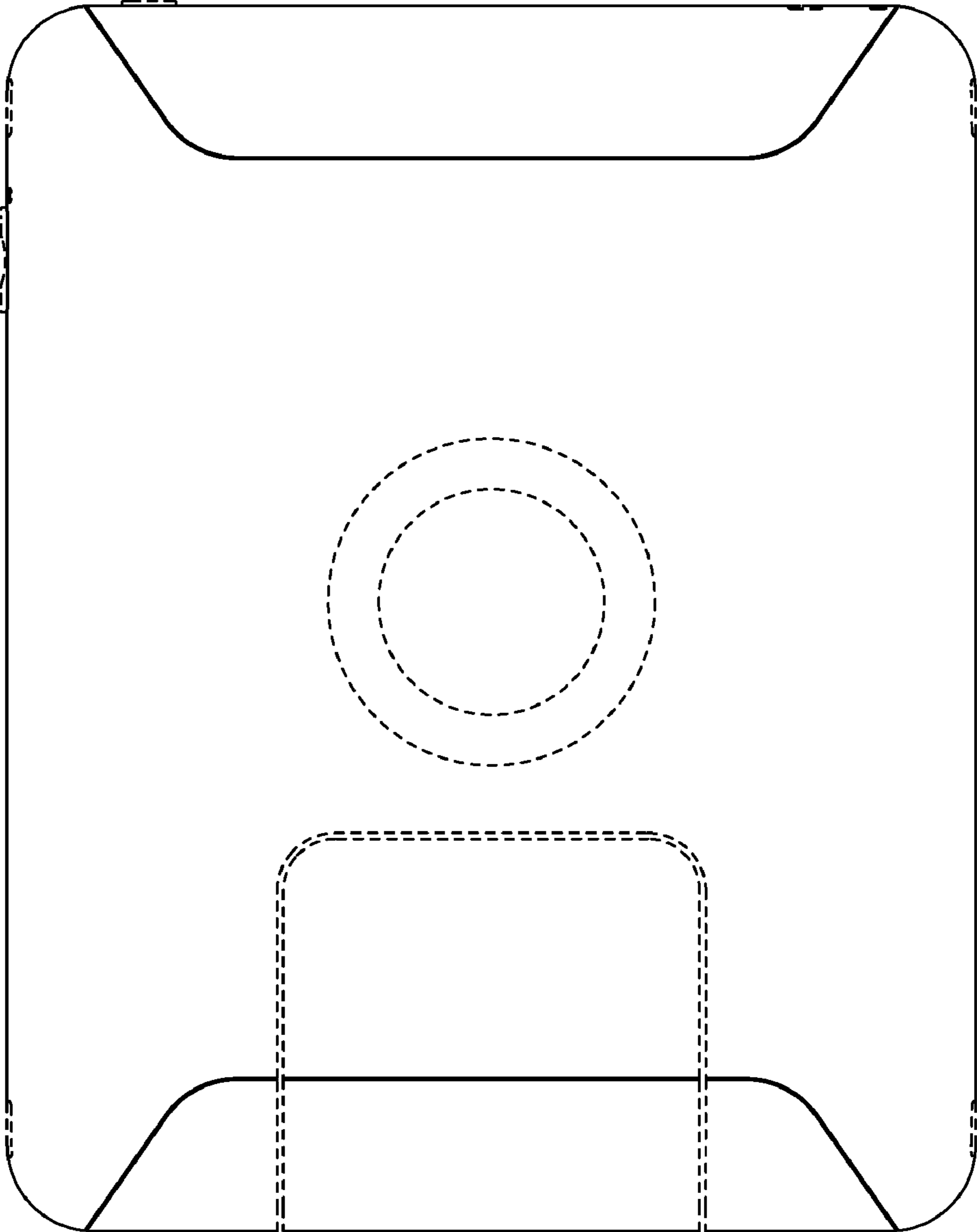


FIG. 3

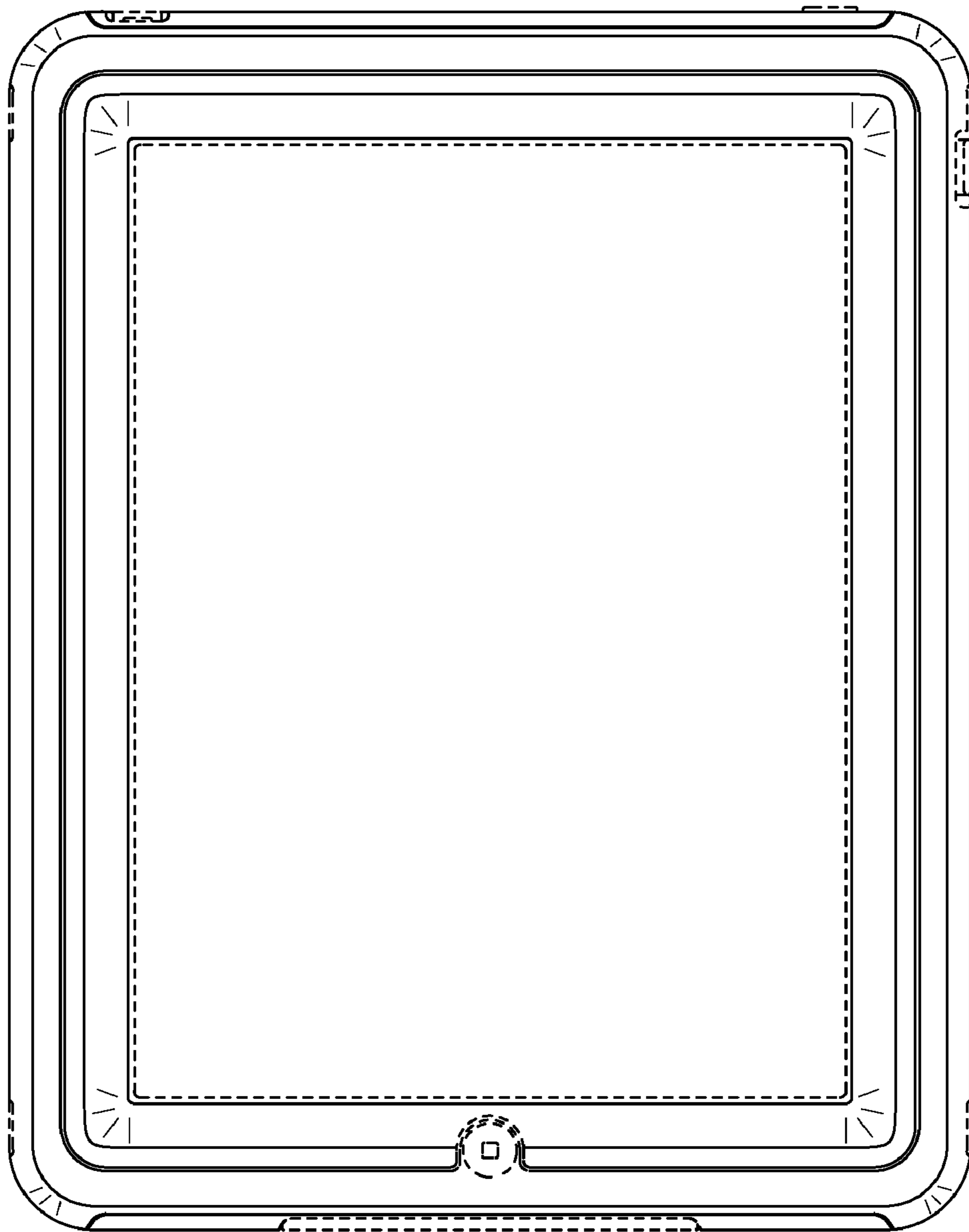


FIG. 4

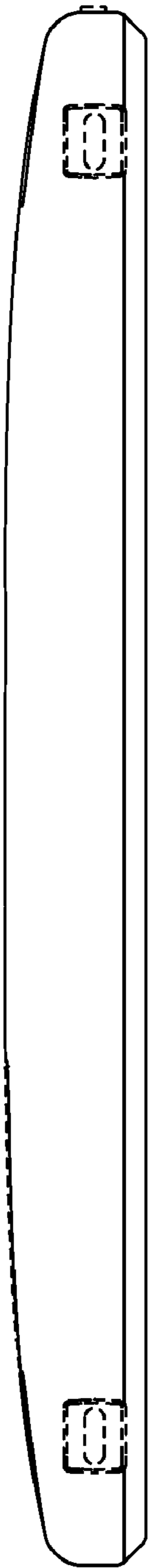


FIG. 5

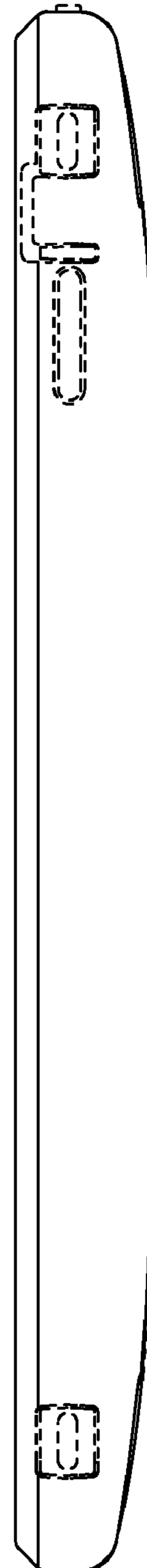


FIG. 6

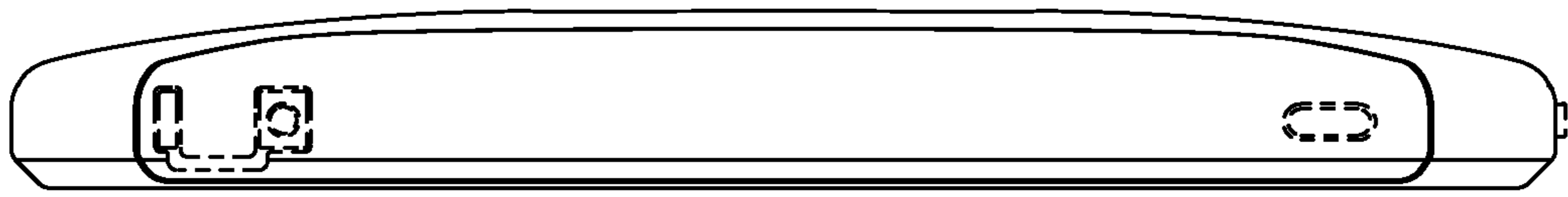


FIG. 7

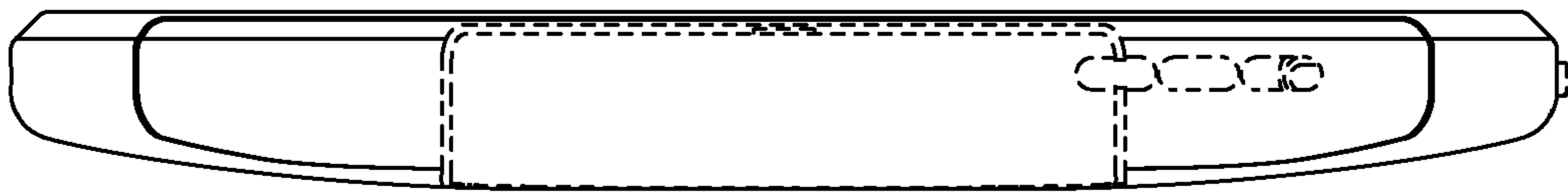


FIG. 8