



US00D623638S

(12) **United States Design Patent**  
**Richardson et al.**

(10) **Patent No.:** **US D623,638 S**  
(45) **Date of Patent:** **\*\* Sep. 14, 2010**

(54) **CASE**

(75) Inventors: **Curtis Richardson**, Fort Collins, CO (US); **Jamie Johnson**, Fort Collins, CO (US); **Stephen Willes**, Fort Collins, CO (US); **Cameron Magness**, Fort Collins, CO (US); **Travis Smith**, Fort Collins, CO (US); **Alan Morine**, Fort Collins, CO (US)

(73) Assignee: **Otter Products, LLC**, Fort Collins, CO (US)

(\*\*) Term: **14 Years**

(21) Appl. No.: **29/359,231**

(22) Filed: **Apr. 7, 2010**

(51) **LOC (9) Cl.** ..... **14-03**  
(52) **U.S. Cl.** ..... **D14/250**  
(58) **Field of Classification Search** ..... D14/203.1, D14/203.3, 250–253, 341–347, 358, 440, D14/450; D3/201, 218, 269, 301, 273, 276; D13/103, 107–108, 119; 220/4.02; 224/191, 224/240, 241, 245, 682–683; 248/206.2–206.4, 248/220.21, 279.1, 309.1; 361/679.3, 679.56; 379/420.04, 426, 433.11, 446–447, 454, 379/455; 455/575.1, 575.6, 575.7, 575.8, 455/575.9; 190/100; 206/305, 320  
See application file for complete search history.

(56) **References Cited**

**U.S. PATENT DOCUMENTS**

D156,107 S \* 11/1949 Horton ..... D3/276  
D349,102 S \* 7/1994 Ziegler et al. .... D14/450  
D487,742 S \* 3/2004 Huang et al. .... D14/341  
D488,468 S \* 4/2004 Hu ..... D14/341  
D488,469 S \* 4/2004 Batsikas ..... D14/341  
D516,553 S \* 3/2006 Richardson et al. .... D14/341  
D518,019 S \* 3/2006 Ching ..... D14/203.3  
D530,079 S \* 10/2006 Thomas et al. .... D14/203.3  
D543,700 S \* 6/2007 Parker et al. .... D3/294  
D551,847 S \* 10/2007 Yeap et al. .... D3/201

D556,681 S \* 12/2007 Kim ..... D13/103  
D557,897 S \* 12/2007 Richardson et al. .... D3/294  
D560,350 S \* 1/2008 Scapillato et al. .... D3/201  
D563,093 S \* 3/2008 Nussberger ..... D3/201  
D572,479 S \* 7/2008 Buck et al. .... D3/282  
D572,480 S \* 7/2008 Buck et al. .... D3/294  
D574,819 S \* 8/2008 Andre et al. .... D14/250  
D577,904 S \* 10/2008 Sasaki ..... D3/201  
D581,421 S \* 11/2008 Richardson et al. .... D14/440  
D593,319 S \* 6/2009 Richardson et al. .... D3/218  
D599,346 S \* 9/2009 Thia et al. .... D14/356  
D600,013 S \* 9/2009 McCune ..... D3/273  
7,609,512 B2 \* 10/2009 Richardson et al. .... 361/679.41

(Continued)

**OTHER PUBLICATIONS**

iPad Commuter Series Case, <URL:http://www.otterbox.com/ipad-cases/ipad-commuter-series-case/>, retrieved from internet Jul. 2, 2010.\*

(Continued)

*Primary Examiner*—Robert M Spear  
*Assistant Examiner*—Carla Jobe Wright

(57) **CLAIM**

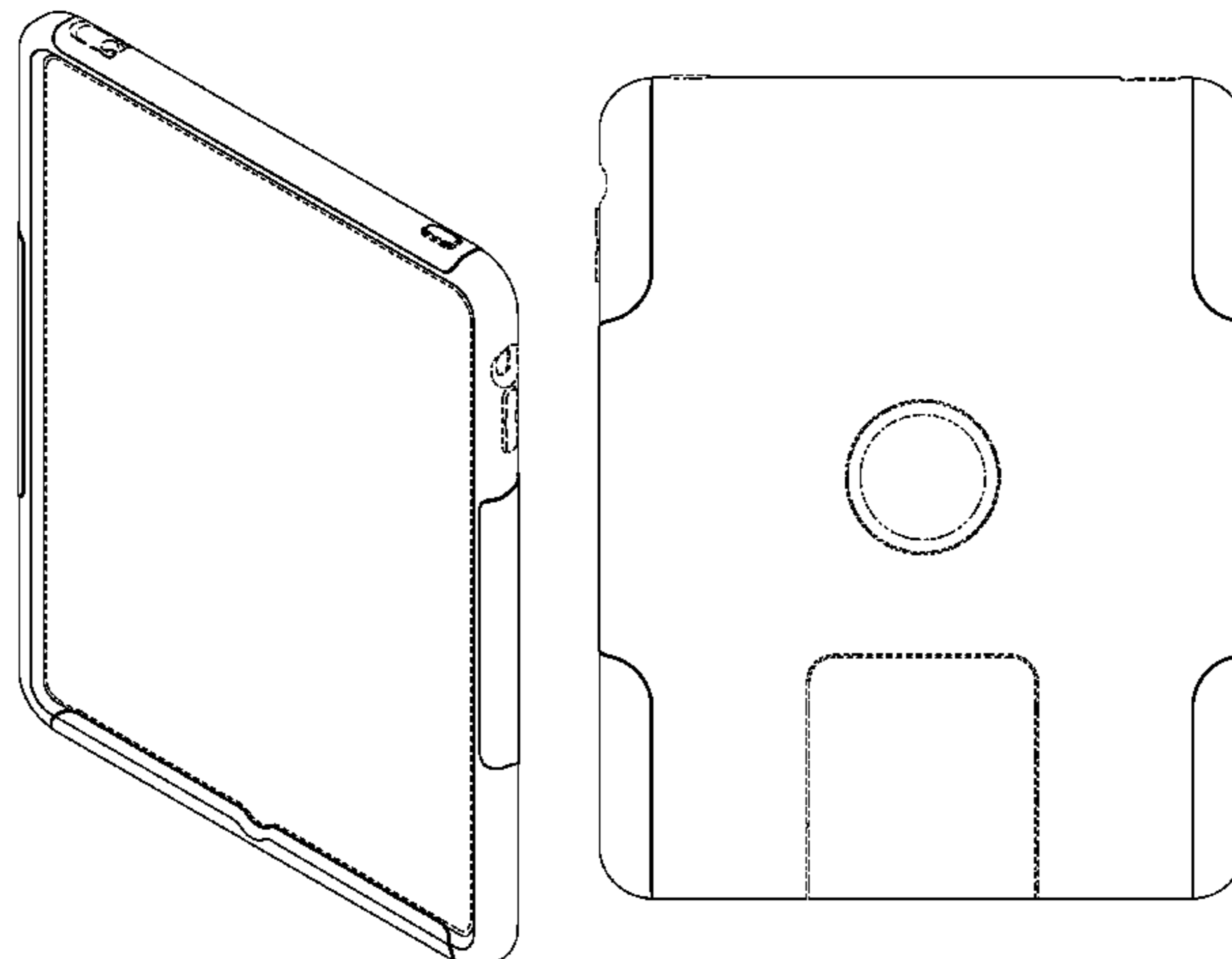
The ornamental design for a case, as shown and described.

**DESCRIPTION**

FIG. 1 is an isometric view of a case showing our new design; FIG. 2 is an isometric view thereof; FIG. 3 is a front view thereof; FIG. 4 is a rear view thereof; FIG. 5 is a top view thereof; FIG. 6 is a bottom view thereof; FIG. 7 is a right view thereof; and, FIG. 8 is a left view thereof.

The broken lines immediately adjacent the claimed surfaces represent boundaries of the claimed design. All other broken lines are directed to environment. The broken lines and unshaded regions bounded by broken lines form no part of the claimed design.

**1 Claim, 6 Drawing Sheets**



# US D623,638 S

Page 2

---

## U.S. PATENT DOCUMENTS

D609,276 S \* 2/2010 Axel et al. .... D19/86  
D615,535 S \* 5/2010 Richardson et al. .... D14/250  
D615,536 S \* 5/2010 Richardson et al. .... D14/250

## OTHER PUBLICATIONS

iPad Defender Series Case, <URL:<http://www.otterbox.com/ipad-cases/ipad-defender-series-case/>>, retrieved from internet Jul. 2, 2010.\*

FlexCase—Smoke, <URL:<http://www.seidioonline.com/product-p/cstipd-sk.htm>>, retrieved from internet Jul. 2, 2010.\*

Premium Skin Case—White, <URL:<http://www.seidioonline.com/product-p/cskipd-cl.htm>>, retrieved from internet Jul. 2, 2010.\*

\* cited by examiner

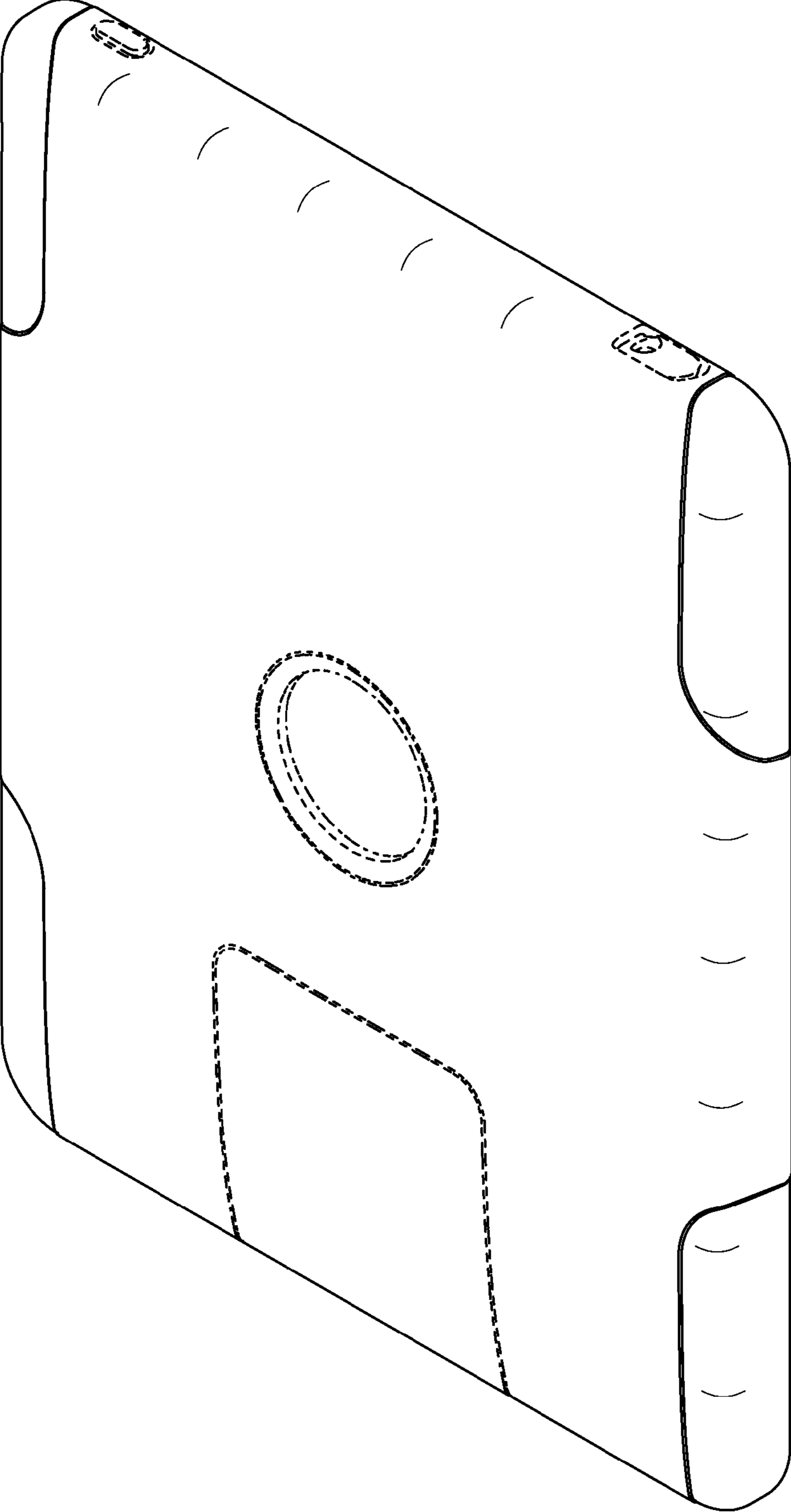


FIG. 1

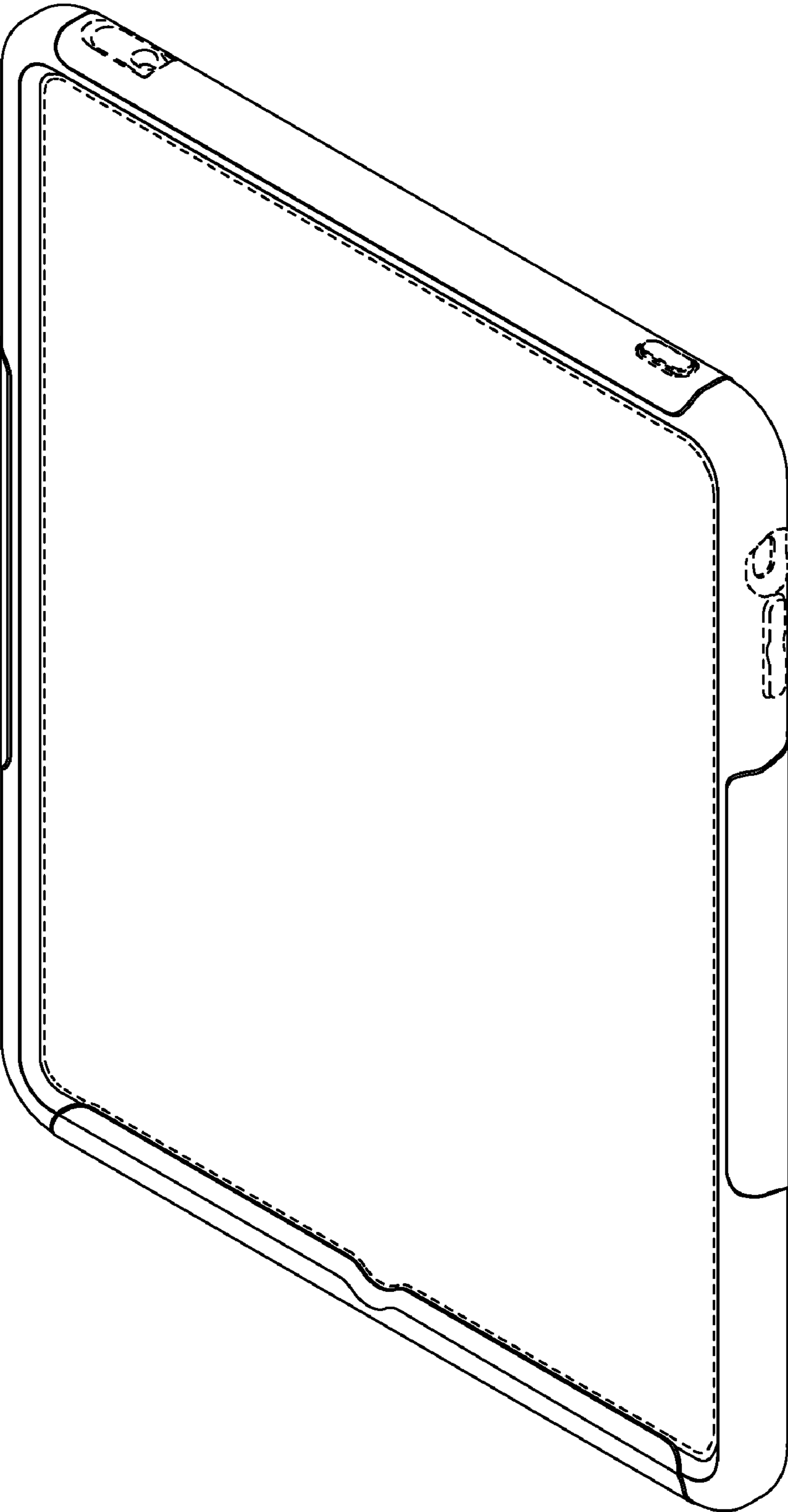


FIG. 2

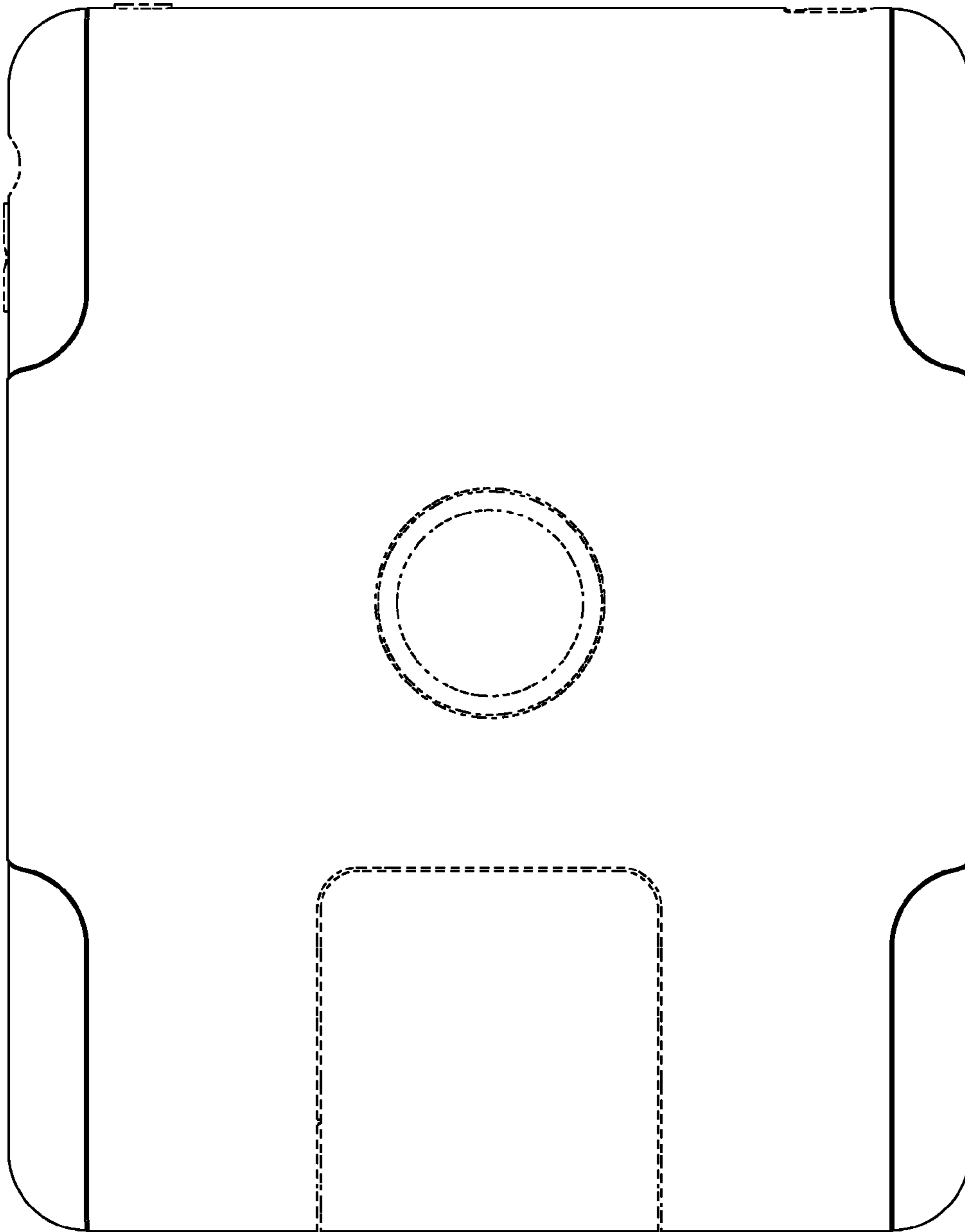


FIG. 3

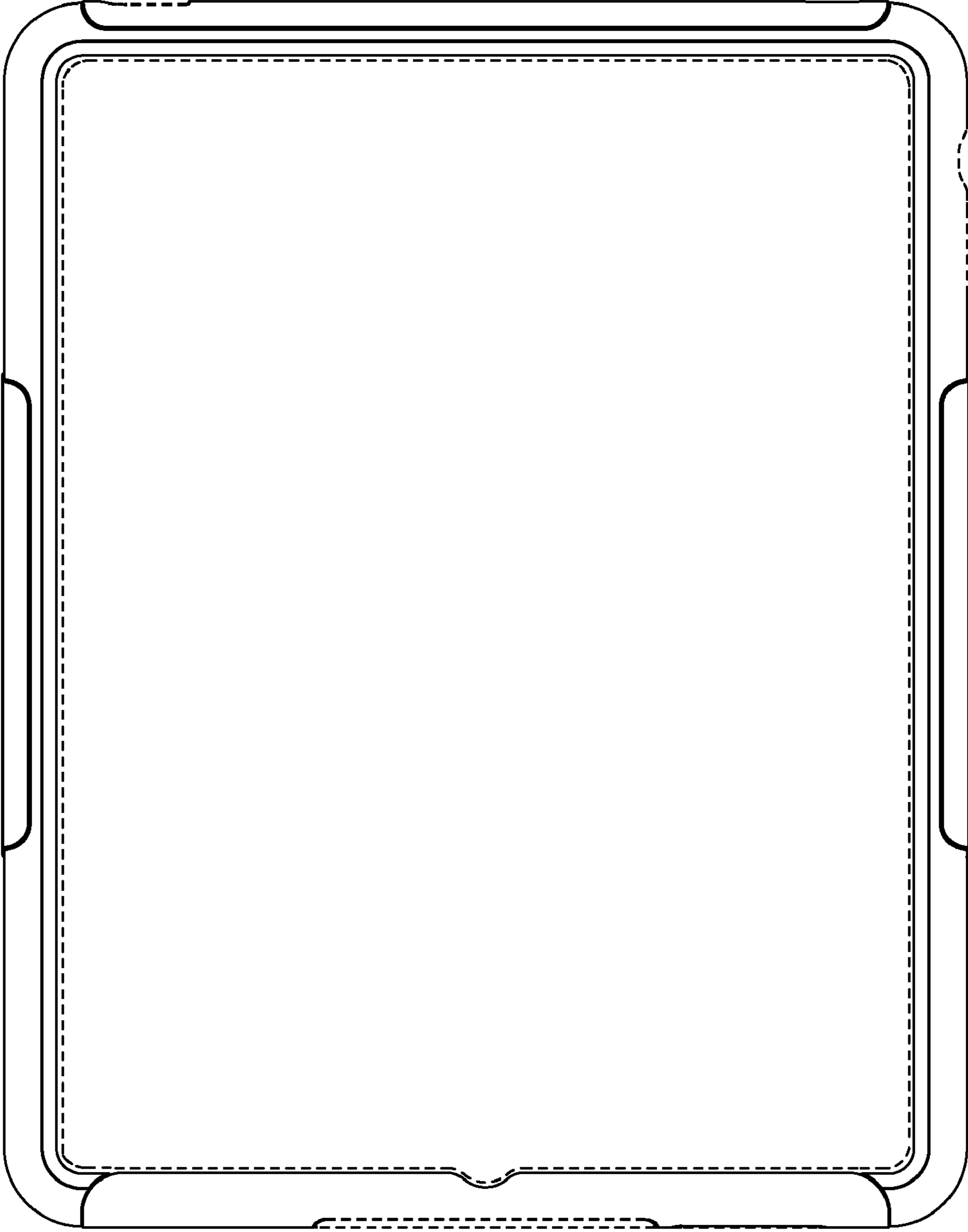


FIG. 4



FIG. 5

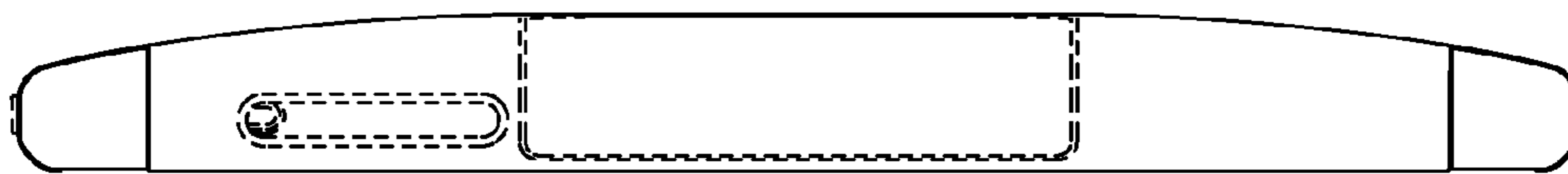


FIG. 6

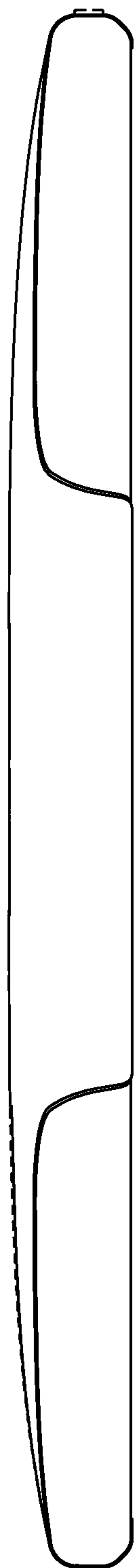


FIG. 7

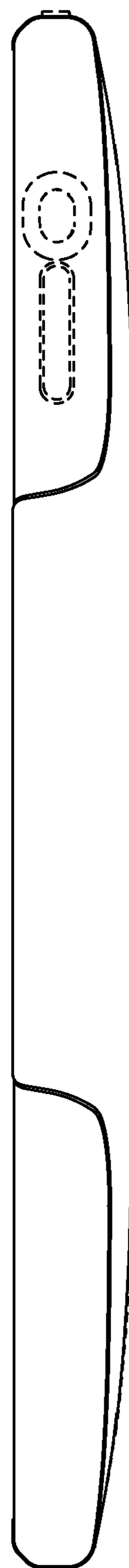


FIG. 8