



US00D623636S

(12) **United States Design Patent**  
**Luonsinen**

(10) **Patent No.:** **US D623,636 S**

(45) **Date of Patent:** **\*\* Sep. 14, 2010**

(54) **ACCESS POINT**

(75) Inventor: **Pauliina Luonsinen**, Tampere (FI)

(73) Assignee: **Bluegiga Technologies Oy**, Espoo (FI)

(\*\*) Term: **14 Years**

(21) Appl. No.: **29/328,030**

(22) Filed: **Nov. 18, 2008**

(30) **Foreign Application Priority Data**

Jun. 16, 2008 (EM) ..... 000951678-0001/2

(51) **LOC (9) Cl.** ..... **14-01**

(52) **U.S. Cl.** ..... **D14/240**

(58) **Field of Classification Search** ..... D14/137,  
D14/140-140.9, 155, 167, 188, 204, 205,  
D14/207, 210, 215, 218, 230-237, 240, 242,  
D14/302, 314, 132-134, 348-358, 363, 383,  
D14/433, 435.1, 496; D13/149, 184, 137.1-139.8,  
D13/110, 144; 711/100, 115; 361/685, 725,  
361/752; 369/272.1, 273, 75.11; 360/133,  
360/79.01, 97.03; 379/220.01, 221.09, 220.14,  
379/25, 93.09, 93.19, 156, 900, 338-339,  
379/441

See application file for complete search history.

(56) **References Cited**

**U.S. PATENT DOCUMENTS**

D331,566 S \* 12/1992 Seymour ..... D13/103  
D346,580 S \* 5/1994 Tattari ..... D13/103

D380,205 S \* 6/1997 Bares ..... D14/242  
D396,044 S \* 7/1998 King et al. .... D14/242  
D430,147 S \* 8/2000 Willkens et al. .... D14/240  
D490,403 S \* 5/2004 Wu et al. .... D14/240  
D580,437 S \* 11/2008 Kiyomiya et al. .... D14/358  
D586,339 S \* 2/2009 Varsavsky  
Waisman-Diamond ..... D14/240

\* cited by examiner

*Primary Examiner*—Ian Simmons

*Assistant Examiner*—Charles D Hanson

(74) *Attorney, Agent, or Firm*—Katten Muchin Rosenman  
LLP

(57) **CLAIM**

The ornamental design for an access point, as shown and described.

**DESCRIPTION**

FIG. 1 is a perspective view of an access point showing my new design;

FIG. 2 is a front view thereof,

FIG. 3 is a rear view thereof,

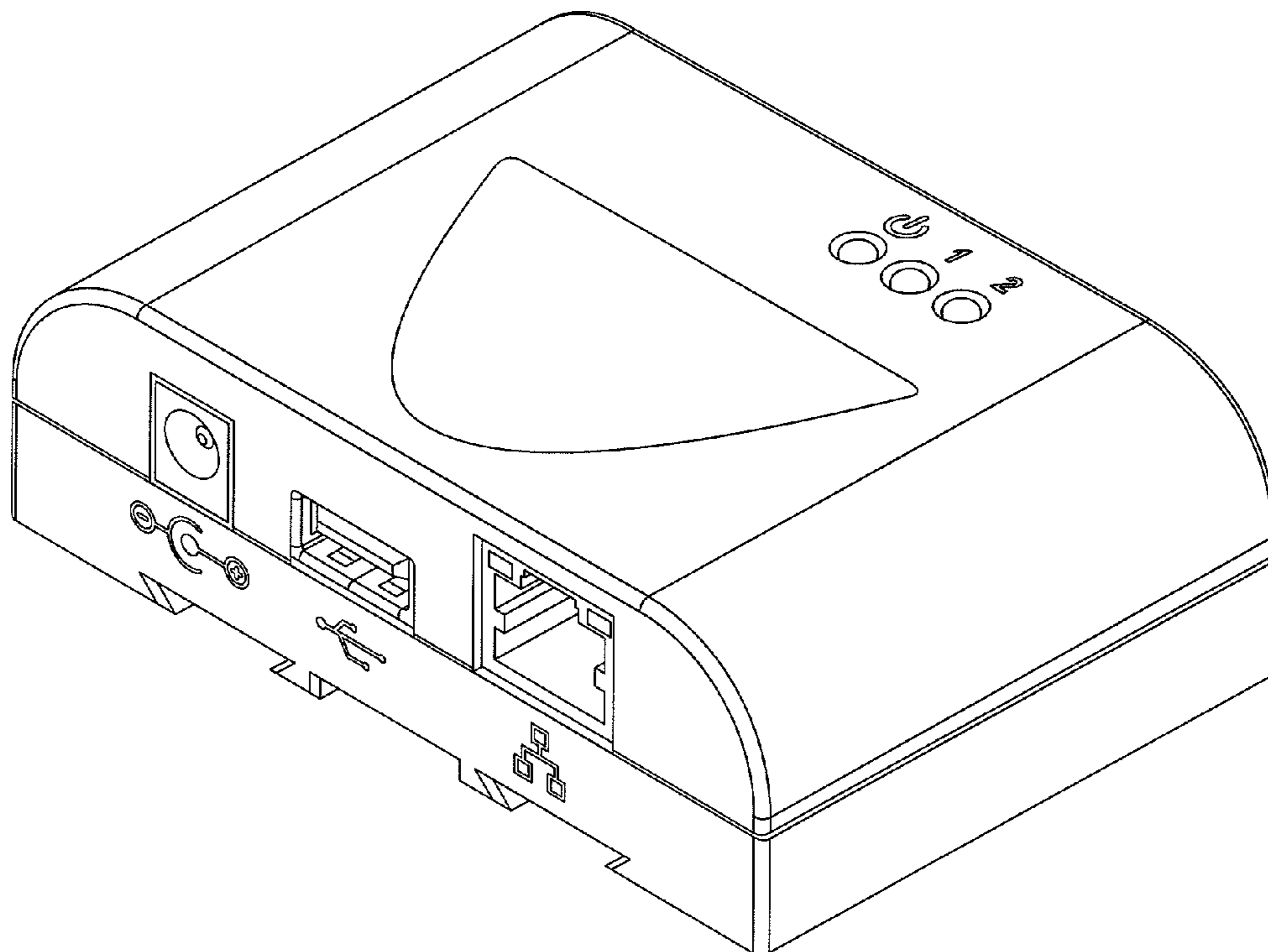
FIG. 4 is a left-side view thereof,

FIG. 5 is a right-side view thereof,

FIG. 6 is a top view thereof; and,

FIG. 7 is a bottom view thereof.

**1 Claim, 7 Drawing Sheets**



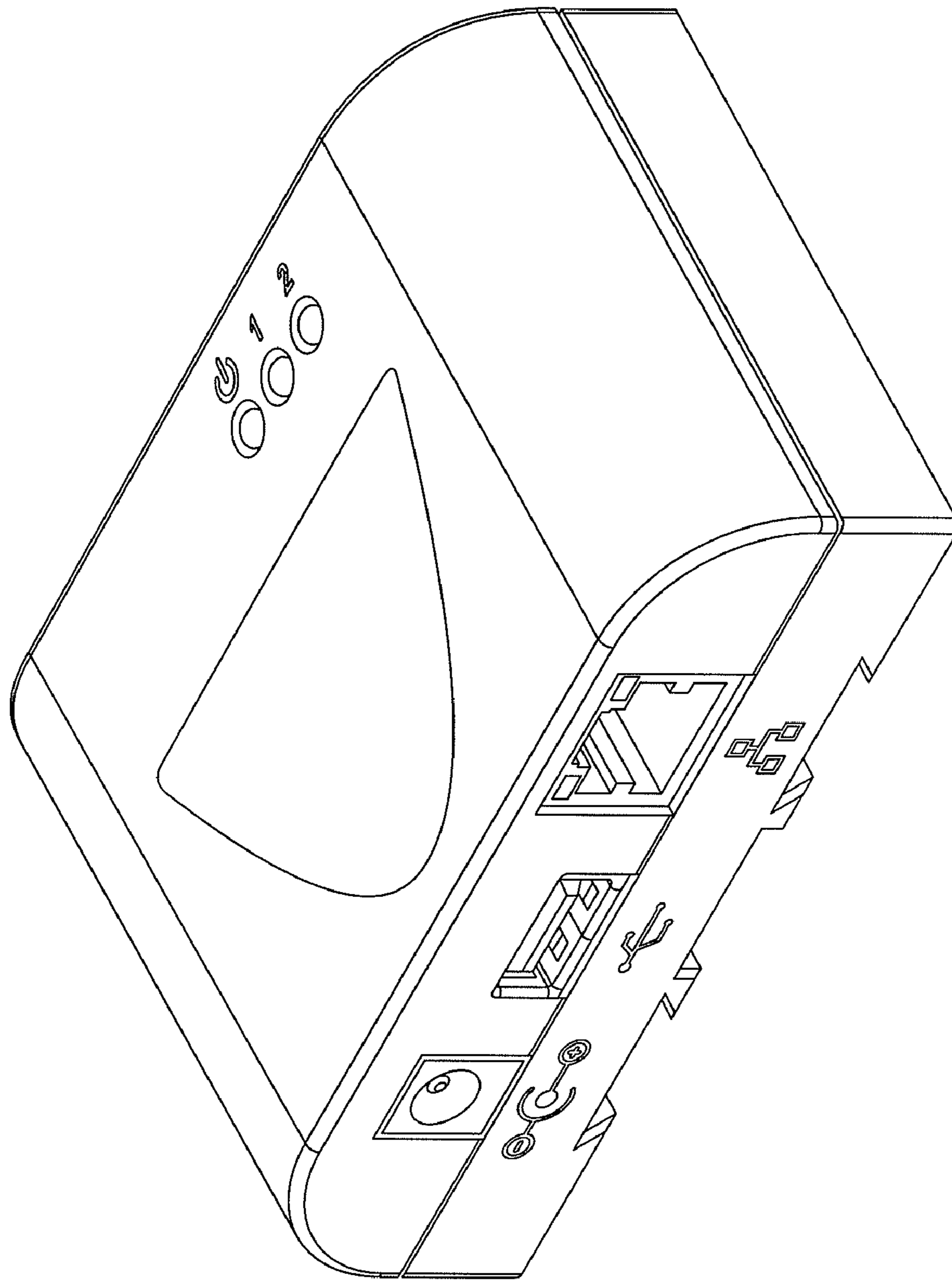


FIG. 1

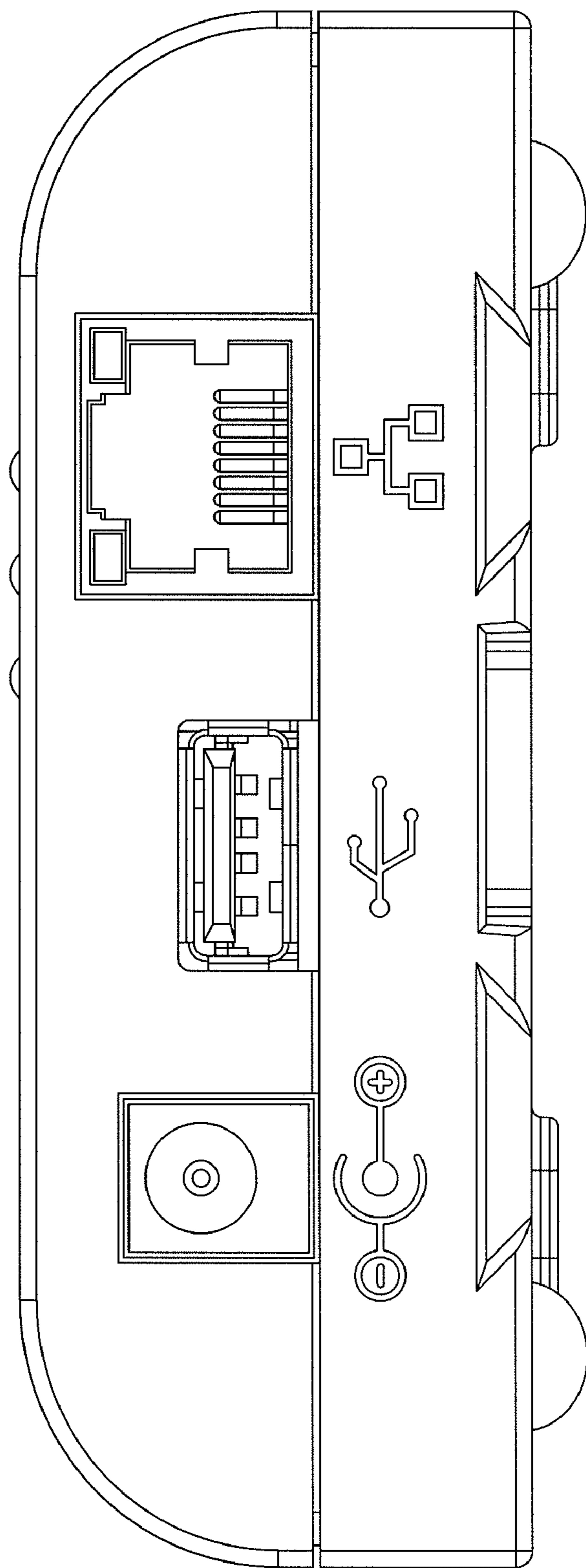


FIG. 2

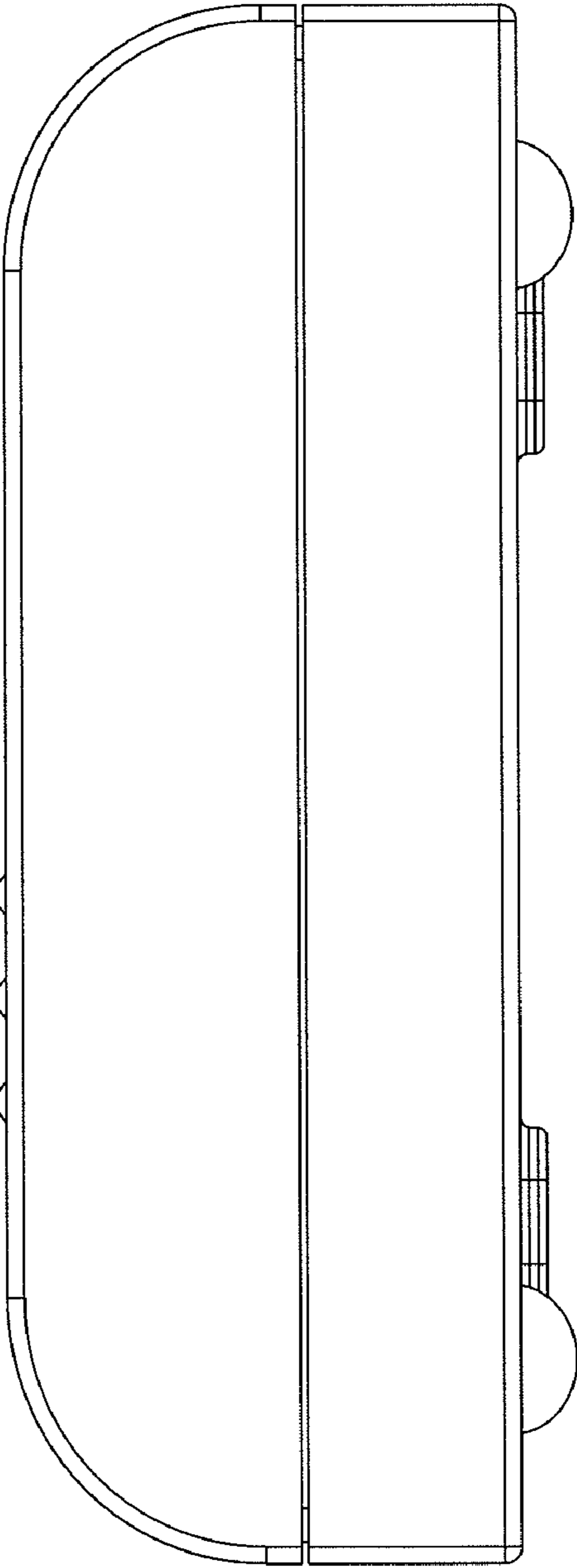


FIG. 3

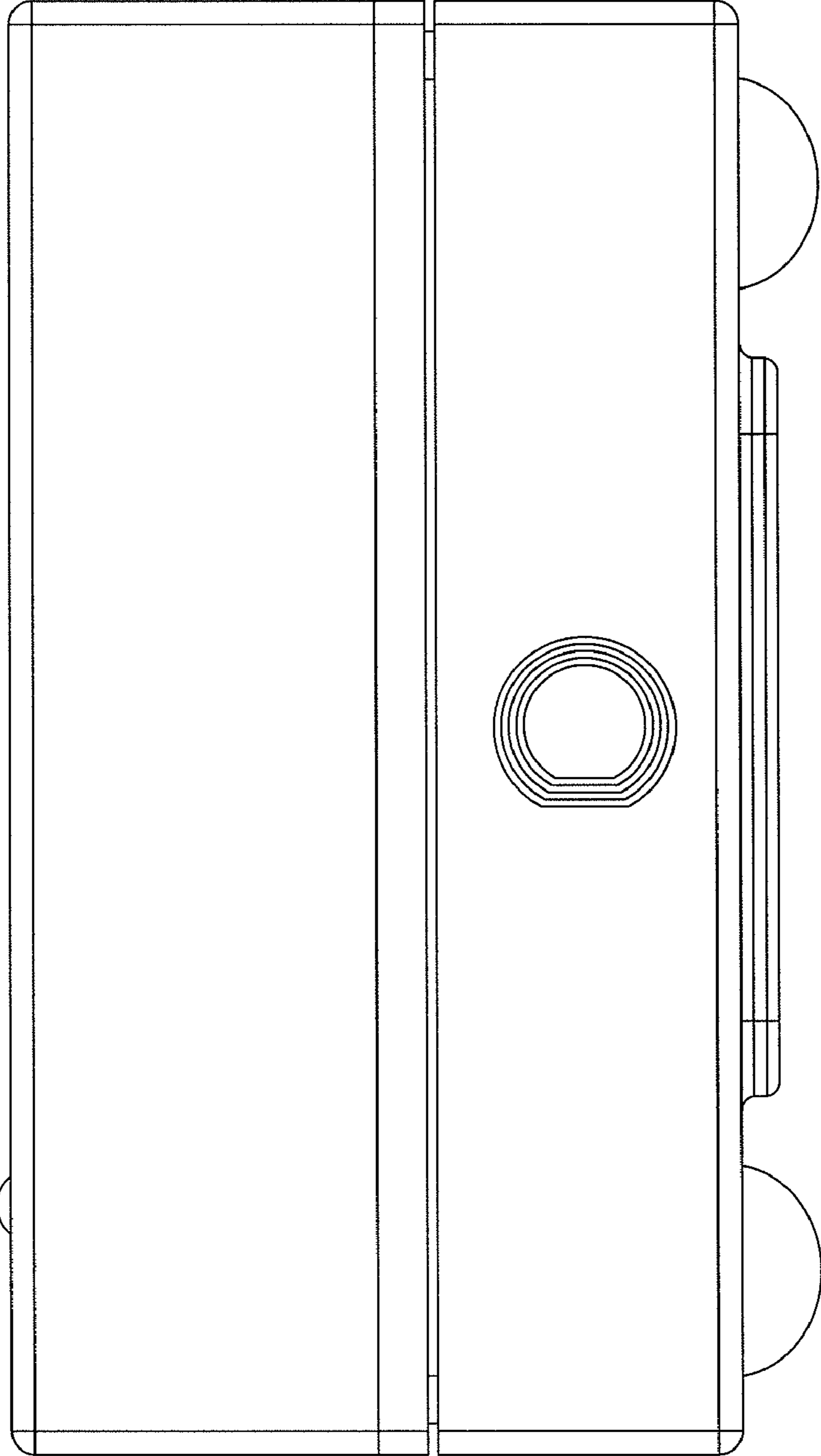


FIG. 4

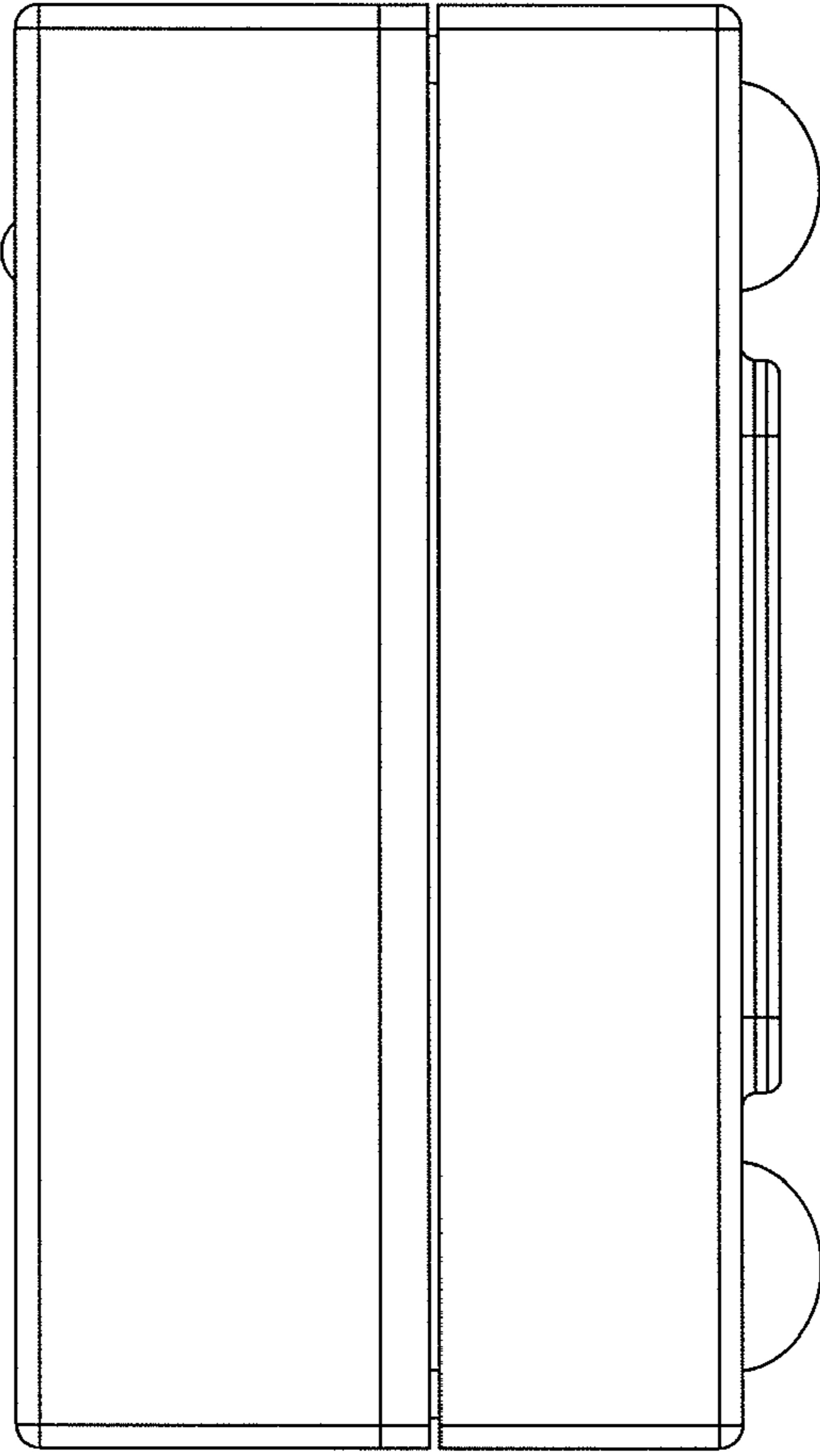


FIG. 5

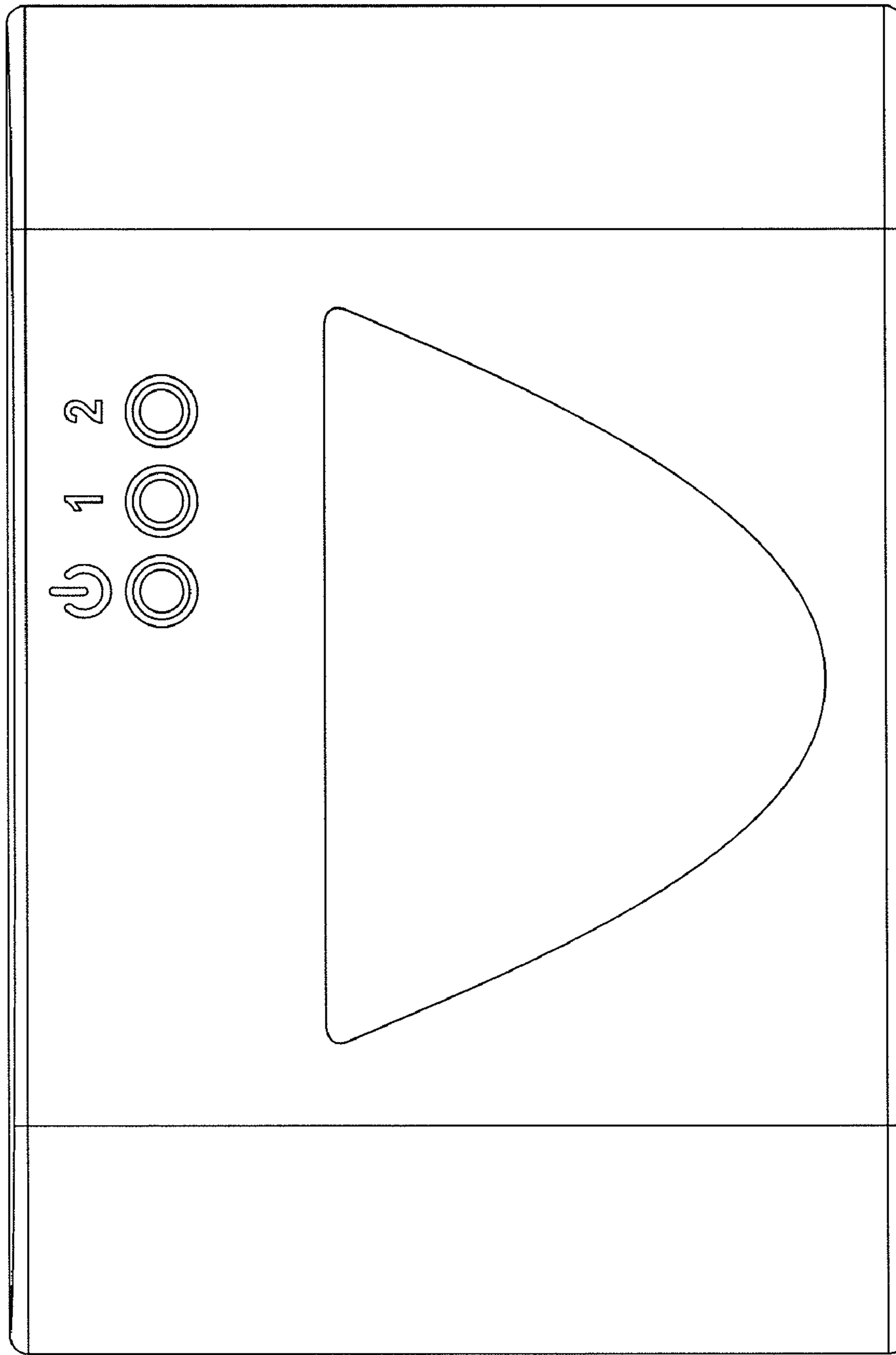


FIG. 6



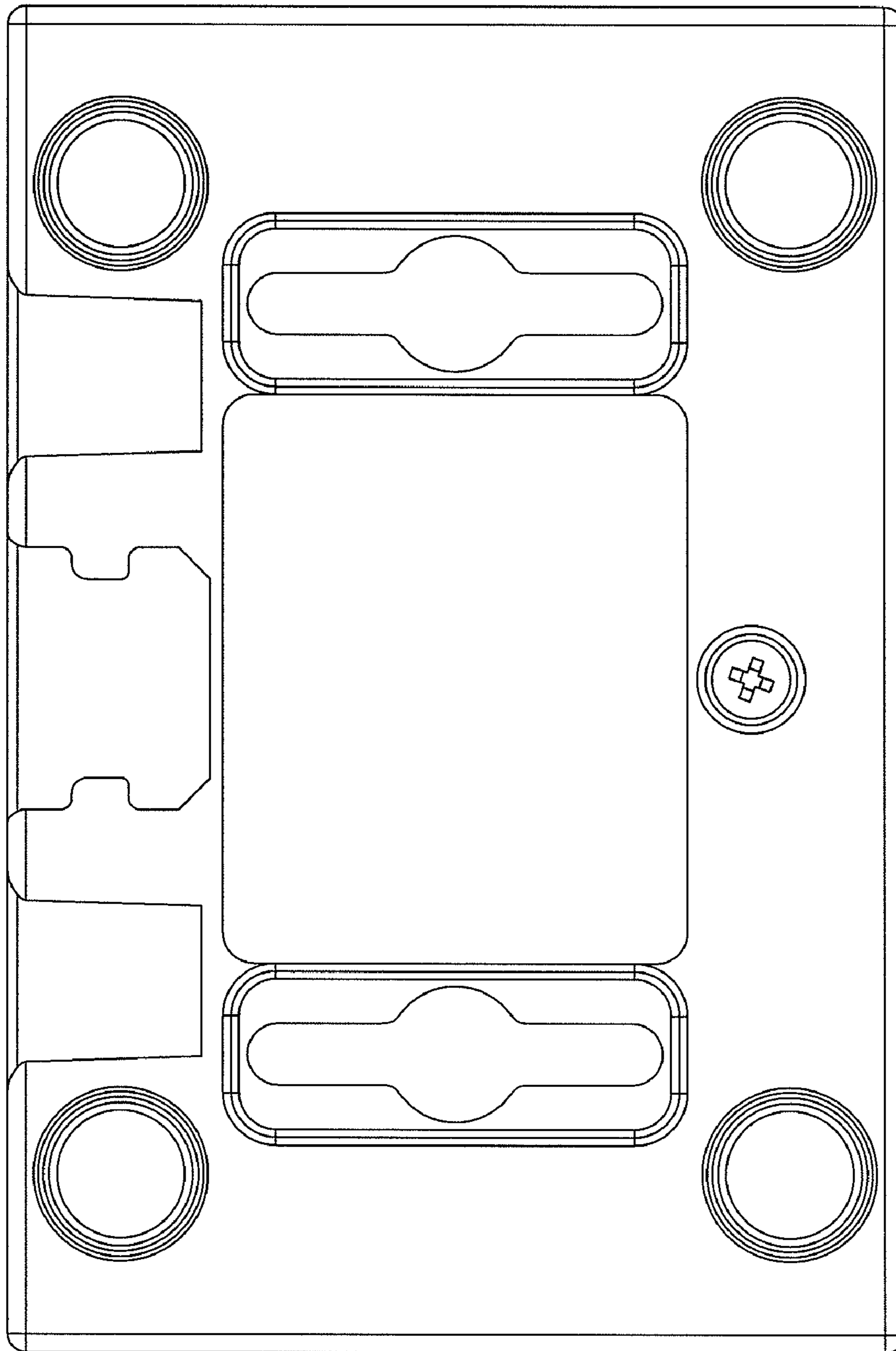


FIG. 7