



US00D623633S

(12) **United States Design Patent**
Bliss et al.

(10) **Patent No.:** **US D623,633 S**
(45) **Date of Patent:** **** Sep. 14, 2010**

(54) **ANTENNA**
(75) Inventors: **Joseph Bliss**, Hinckley, OH (US); **Adam Dorskocil**, Stow, OH (US); **Jack Nilsson**, Medina, OH (US)

7,006,047 B2 * 2/2006 Marsan et al. 343/705
7,348,933 B2 * 3/2008 Nilsson 343/895
7,456,799 B1 * 11/2008 Cohen 343/773
D592,088 S * 5/2009 Miller D10/114
2001/0004000 A1 * 6/2001 Qian et al. 156/184

(73) Assignee: **MP Antenna, Ltd.**, North Ridgeville, OH (US)

* cited by examiner

(**) Term: **14 Years**

Primary Examiner—T. Chase Nelson
Assistant Examiner—John Windmuller

(21) Appl. No.: **29/346,163**

(74) *Attorney, Agent, or Firm*—Tarolli, Sundheim, Covell & Tummino LLP

(22) Filed: **Oct. 28, 2009**

(57) **CLAIM**

(51) **LOC (9) Cl.** **14-03**

The ornamental design for an antenna, as shown and described.

(52) **U.S. Cl.** **D14/233**

(58) **Field of Classification Search** D14/230–238,
D14/299; 343/700 R, 840, 841, 908, 772–775;
455/3.02, FOR. 215, 575.2; D10/114, 121
See application file for complete search history.

DESCRIPTION

(56) **References Cited**

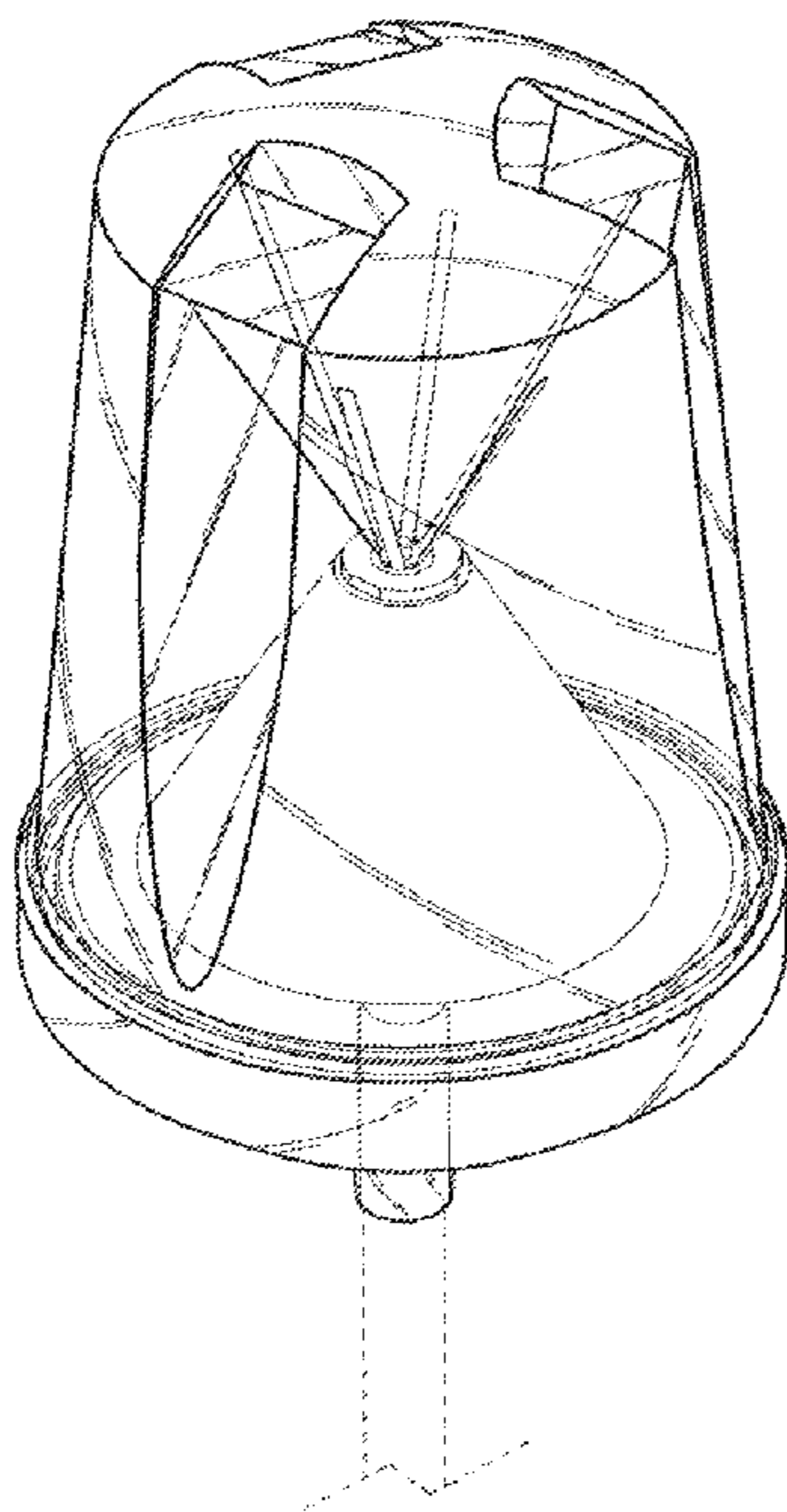
U.S. PATENT DOCUMENTS

2,509,903	A *	5/1950	Brode et al.	102/214
3,787,865	A *	1/1974	MacDowell et al.	343/703
3,987,456	A *	10/1976	Gelin	343/830
D245,447	S *	8/1977	Brudy et al.	D10/121
D275,673	S *	9/1984	Iino et al.	D14/230
D282,172	S *	1/1986	Mabuchi	D14/233
4,851,859	A *	7/1989	Rappaport	343/790
4,864,320	A *	9/1989	Munson et al.	343/833
5,521,610	A *	5/1996	Rodal	343/797
5,561,439	A *	10/1996	Moilanen	343/846
5,568,162	A *	10/1996	Samsel et al.	343/842
6,111,549	A *	8/2000	Feller	343/795
6,486,849	B2 *	11/2002	Buckles	343/808
6,697,031	B2 *	2/2004	Jocher	343/895

FIG. 1 is a front elevation perspective view of an antenna showing our new design;
FIG. 2 is a first side elevation view of FIG. 1;
FIG. 3 is second side elevation view of FIG. 1;
FIG. 4 is third side elevation view of FIG. 1;
FIG. 5 is fourth side elevation view of FIG. 1;
FIG. 6 is a top plan view of FIG. 1;
FIG. 7 is a bottom plan view of FIG. 1;
FIG. 8 is a perspective view of the antenna, shown with parts separated for ease of disclosure; and,
FIG. 9 is a side view of the antenna, shown with parts separated for ease of disclosure.

The broken lines are shown for environmental purposes and form no part of the claimed design.

1 Claim, 4 Drawing Sheets



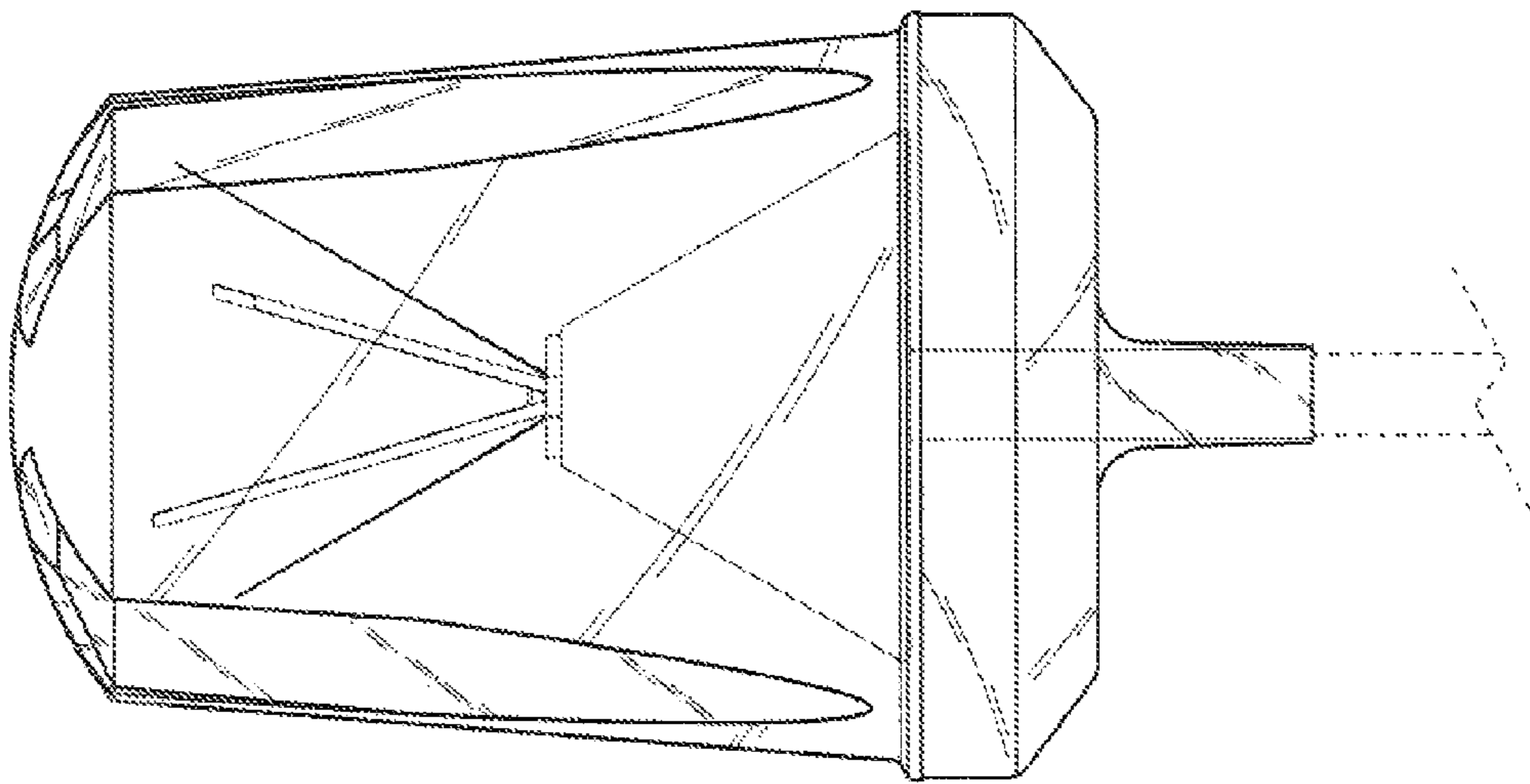


Fig. 1

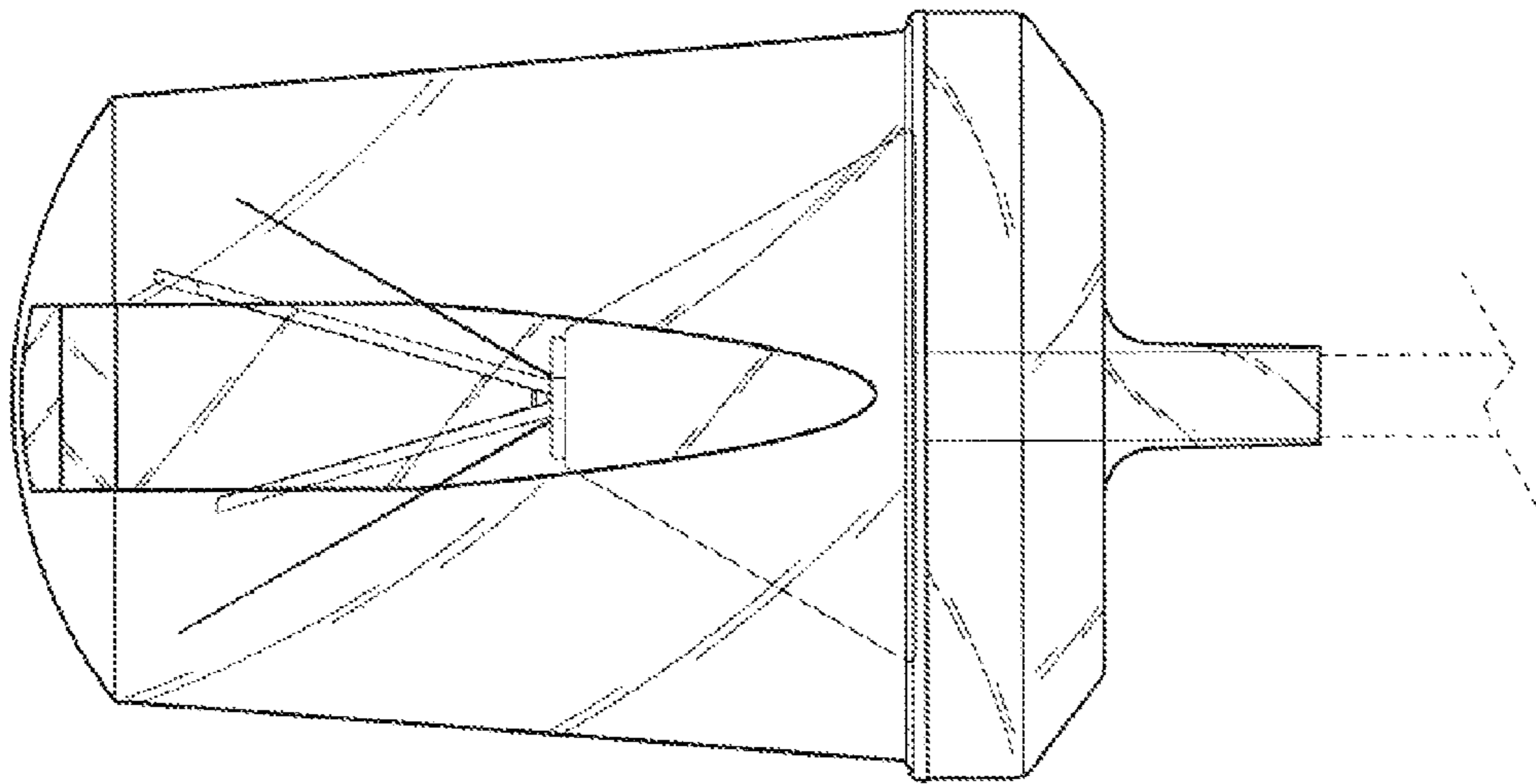


Fig. 2

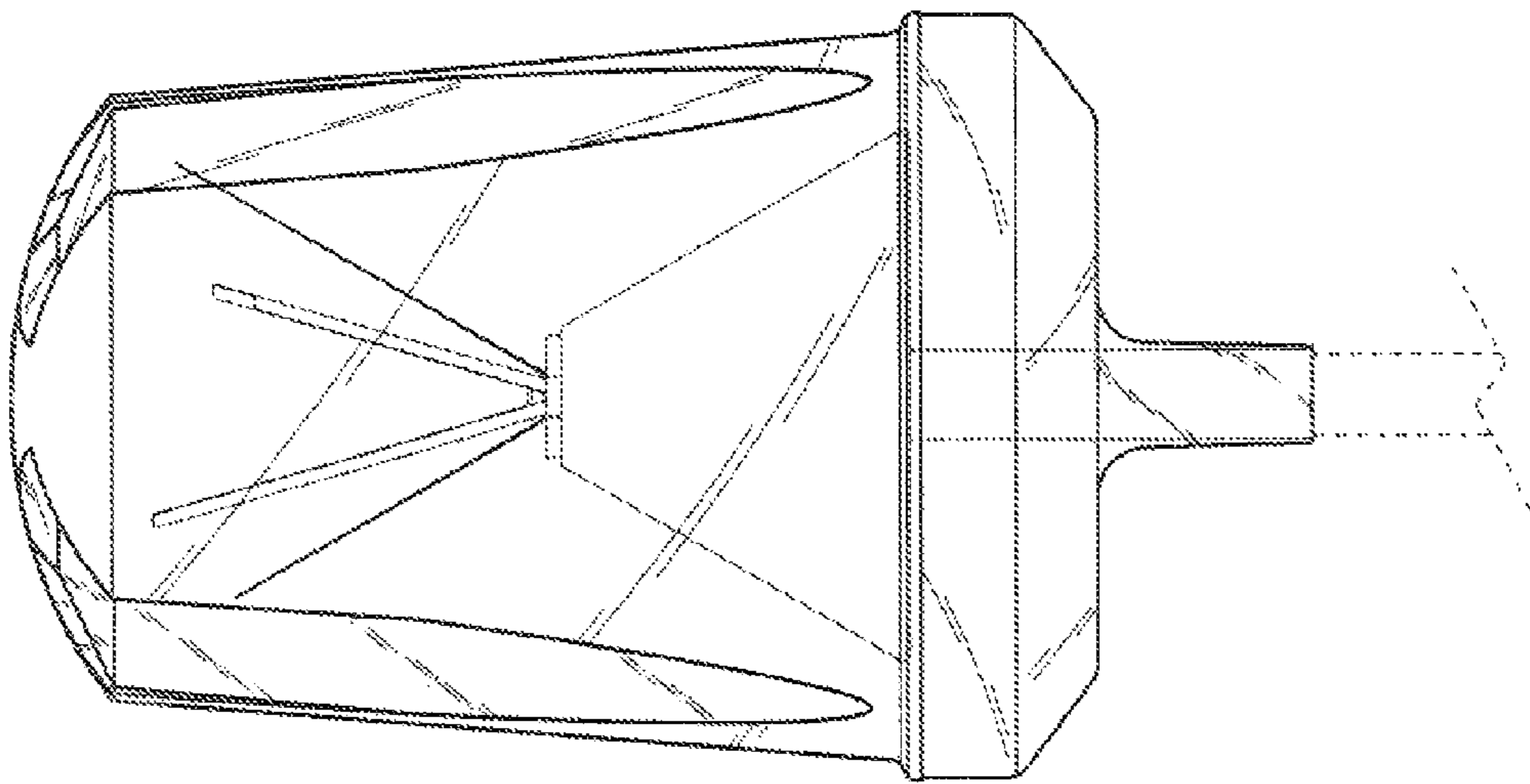


Fig. 3

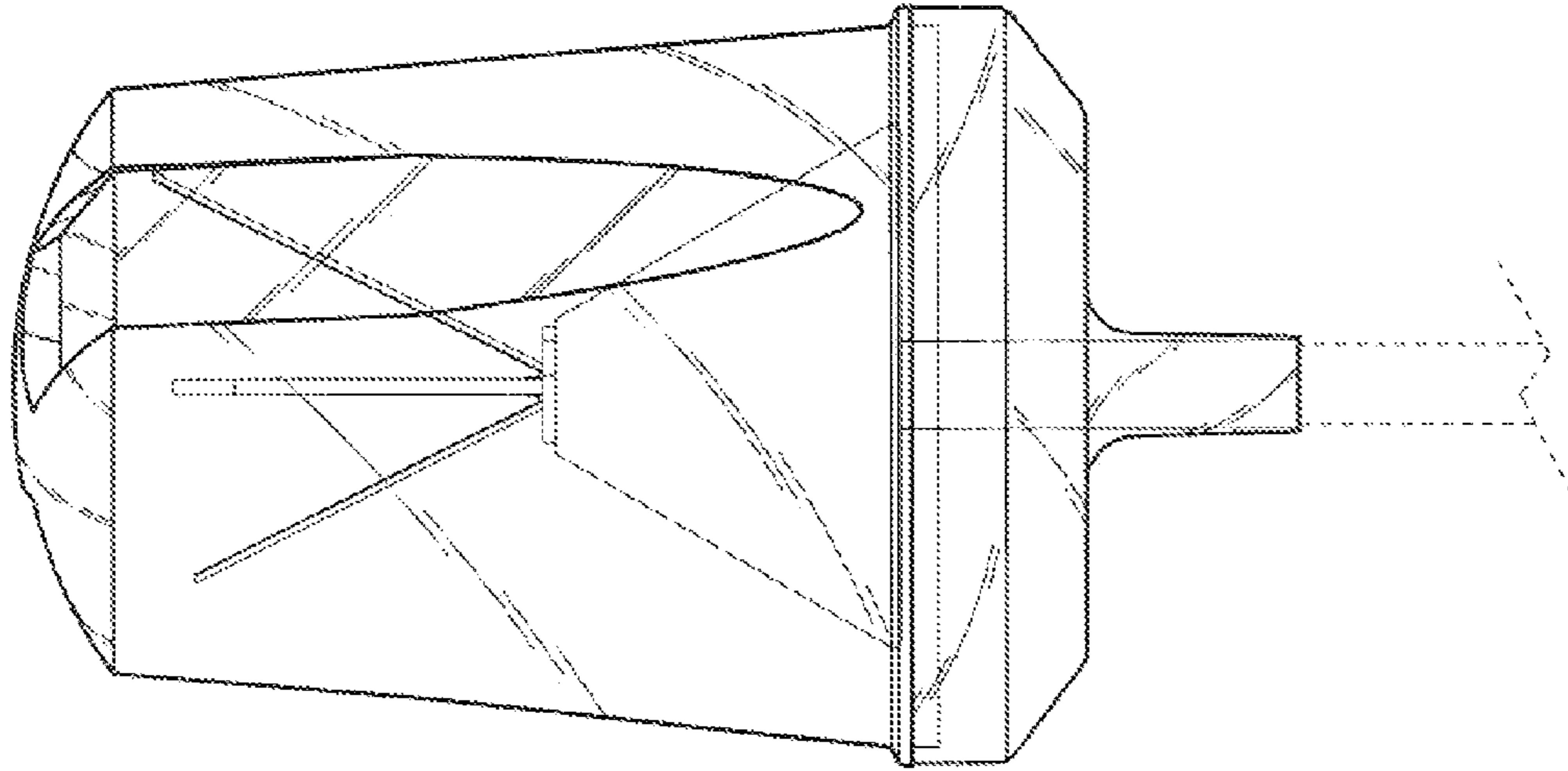


Fig. 5

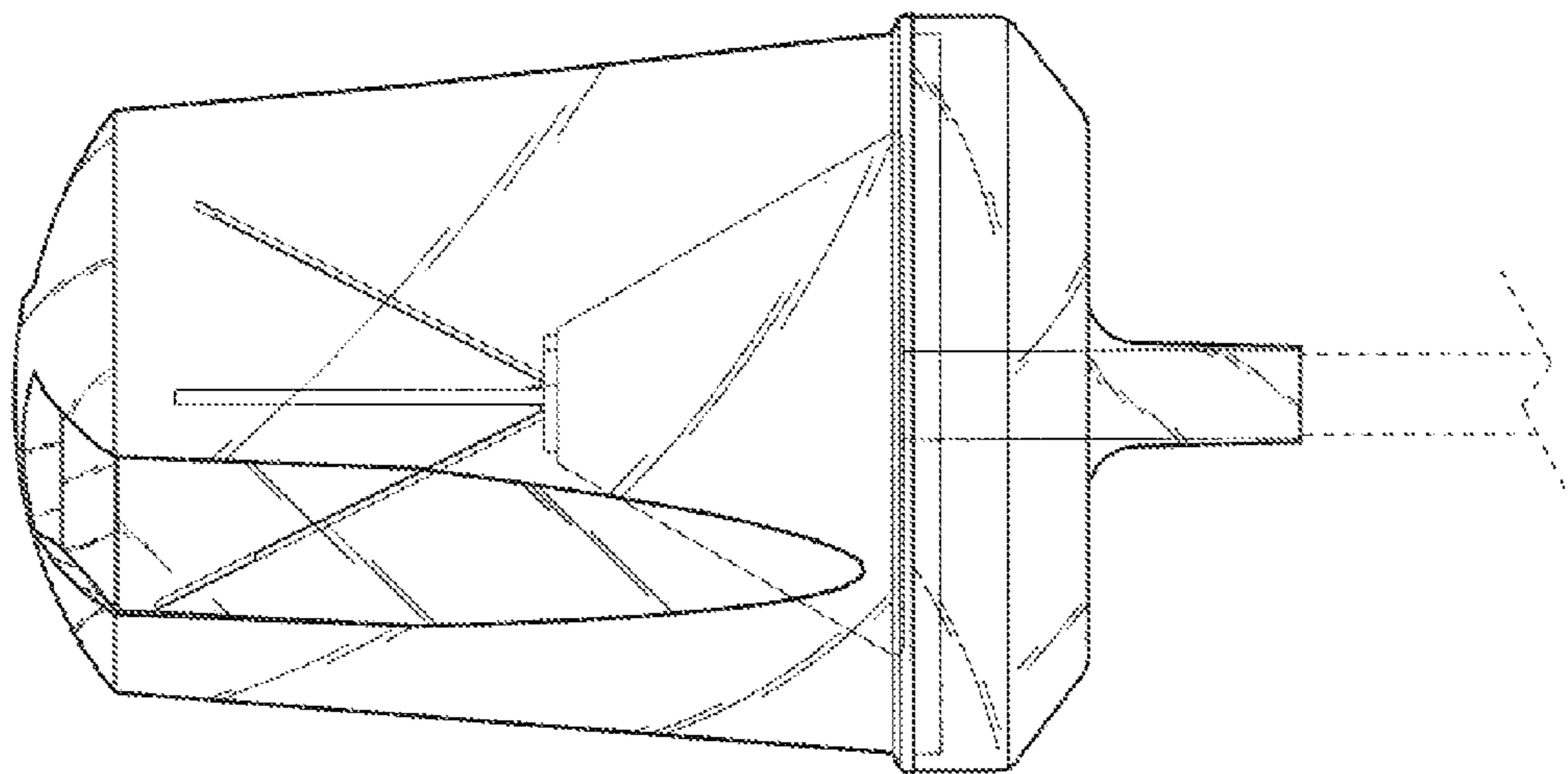


Fig. 4

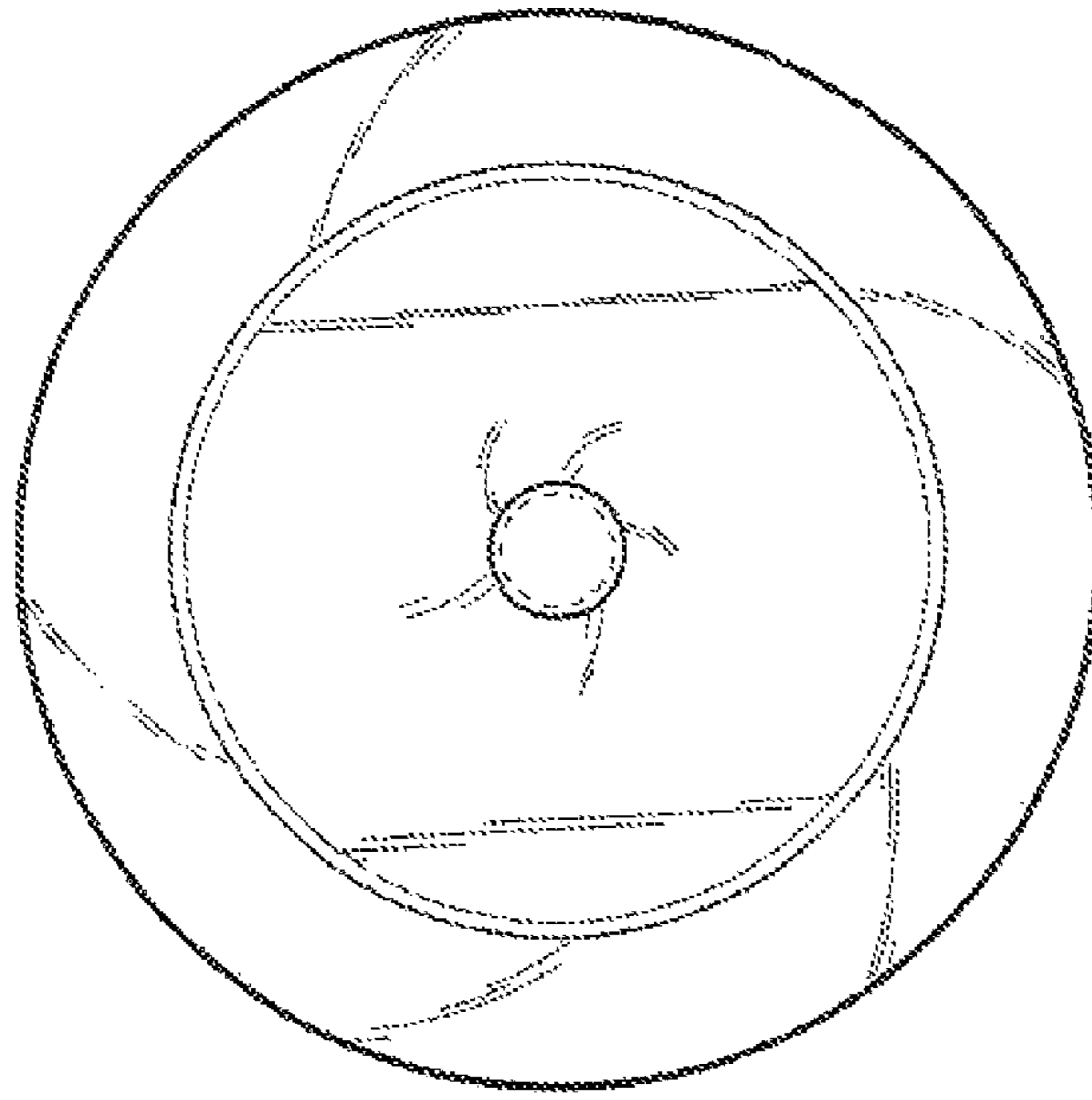


Fig. 7

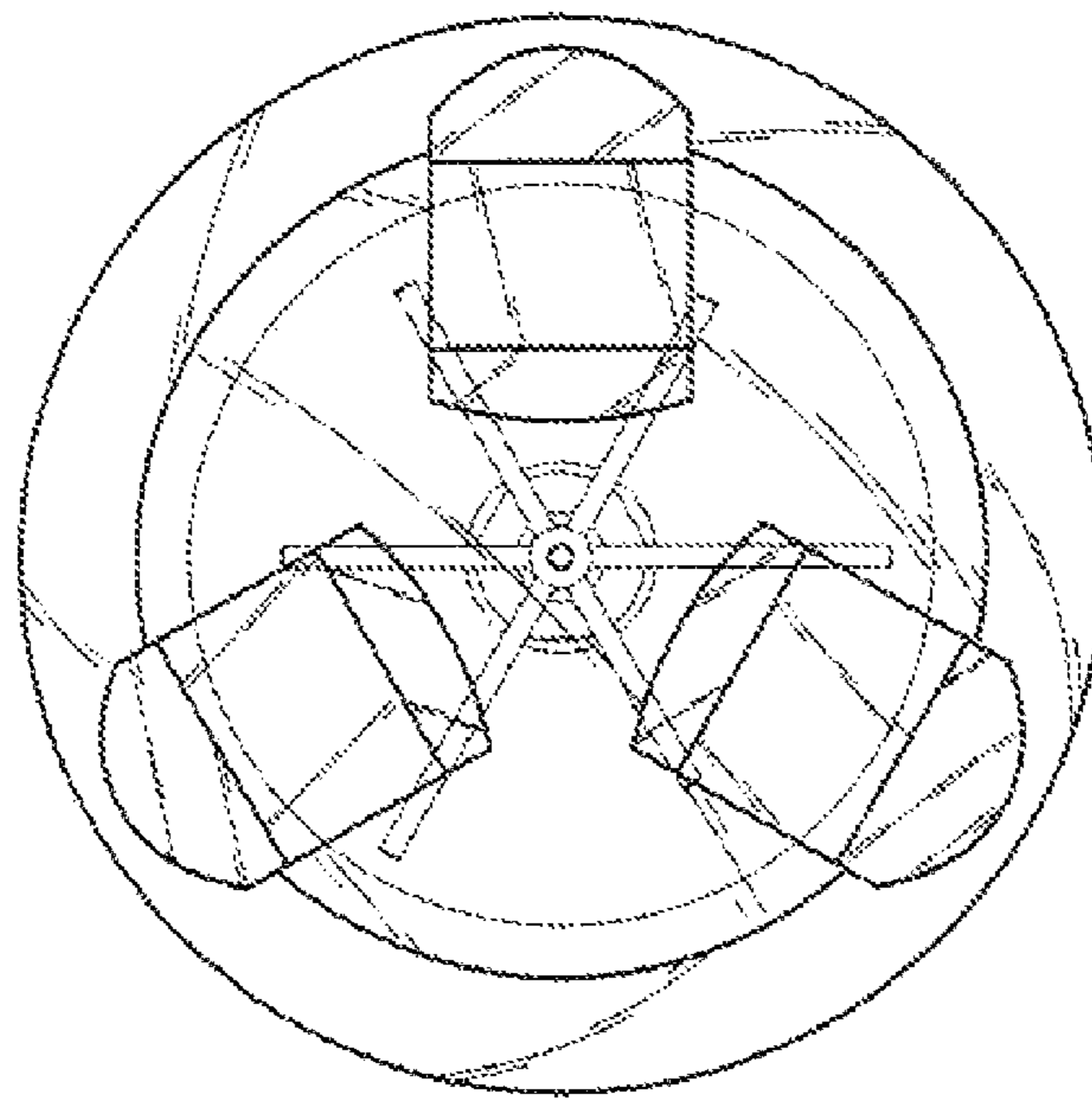


Fig. 6

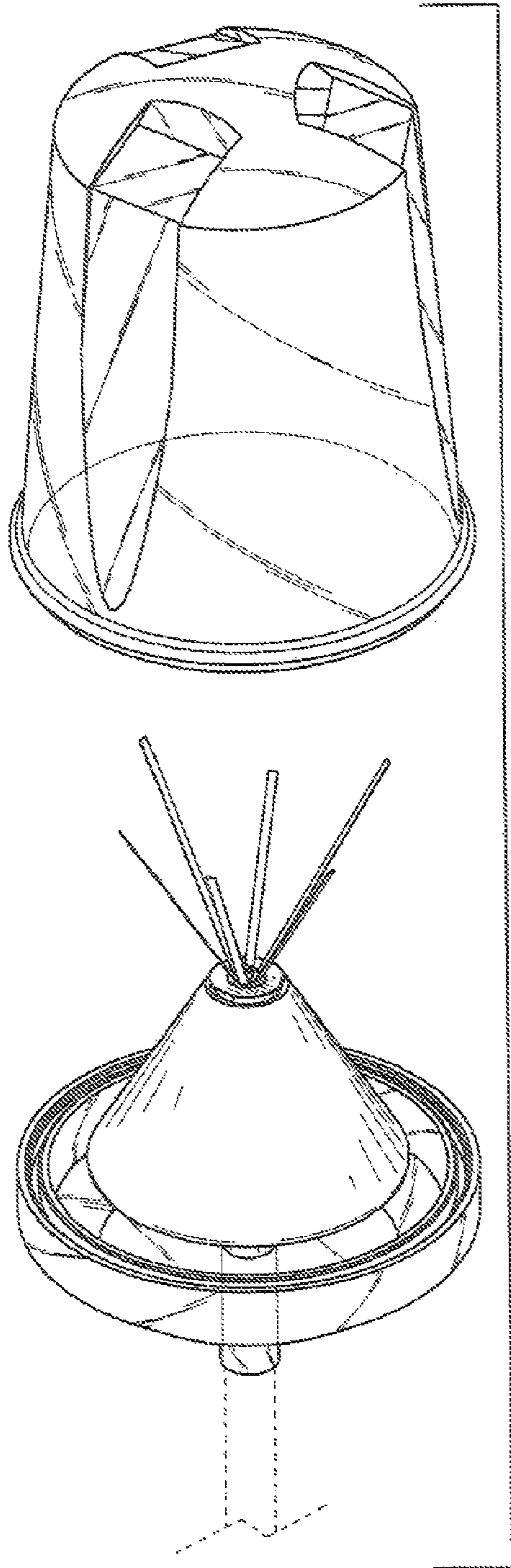


Fig. 8

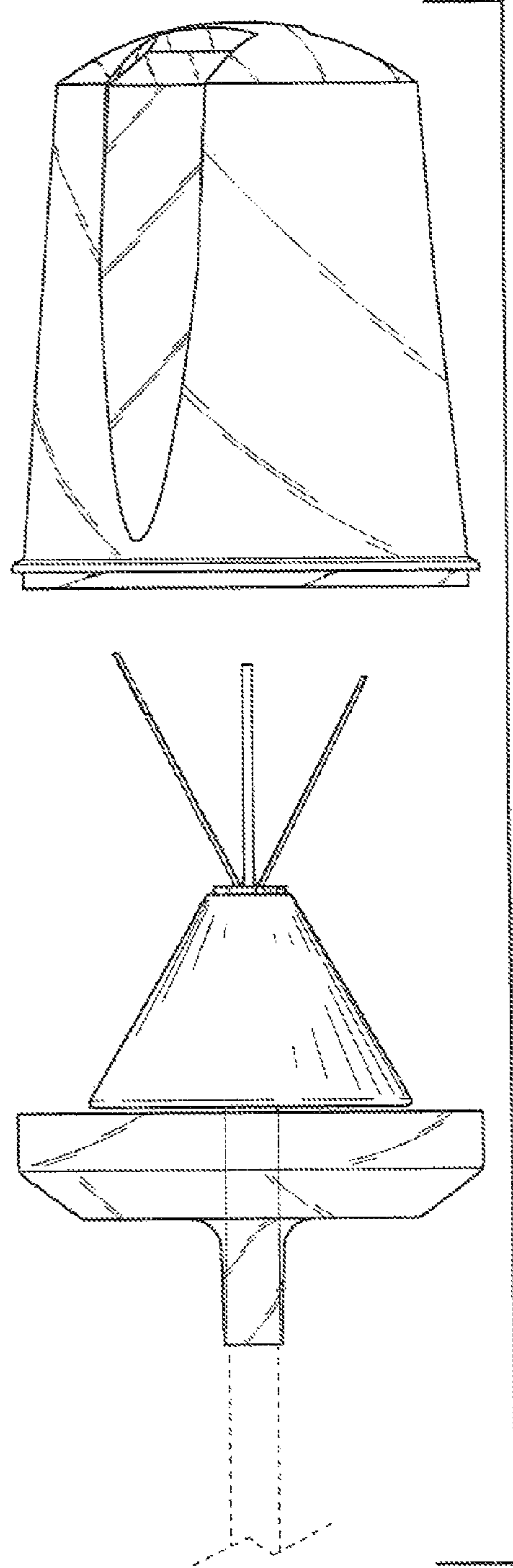


Fig. 9