



US00D623631S

(12) **United States Design Patent**  
**Kung**

(10) **Patent No.:** **US D623,631 S**

(45) **Date of Patent:** **\*\* Sep. 14, 2010**

(54) **INFARED WIRELESS MICROPHONE**

(76) Inventor: **Te-Wei Kung**, P.O. Box 90, Tainan City  
70499 (TW)

(\*\*) Term: **14 Years**

(21) Appl. No.: **29/343,341**

(22) Filed: **Sep. 11, 2009**

(51) **LOC (9) Cl.** ..... **14-01**

(52) **U.S. Cl.** ..... **D14/228**

(58) **Field of Classification Search** ..... D14/225,  
D14/226, 227, 228, 497; 379/430, 431; 381/357,  
381/359, 355, 361, 91, 369, 174, 366; 455/569.1,  
455/575.1, 90.3, 91, 92, 95, 117; D17/99;  
446/416; D21/513, 480; 310/322, 324; D13/133  
See application file for complete search history.

(56) **References Cited**

**U.S. PATENT DOCUMENTS**

D156,329	S	*	12/1949	Federico et al.	.....	D14/227
D213,567	S	*	3/1969	Kahn	.....	D14/228
3,452,955	A	*	7/1969	Hartwig	.....	248/229.26
3,718,862	A	*	2/1973	Norris	.....	455/95
D244,551	S	*	5/1977	Weiss	.....	D14/225
D247,707	S	*	4/1978	Armstrong	.....	D14/228
D253,468	S	*	11/1979	Peterson	.....	D14/228
4,258,235	A	*	3/1981	Watson	.....	381/174
4,278,851	A	*	7/1981	Takaya	.....	340/384.6
4,295,009	A	*	10/1981	Weidler	.....	381/394
4,344,184	A	*	8/1982	Edwards	.....	455/95
4,694,499	A	*	9/1987	Bartlett	.....	381/357

D302,819	S	*	8/1989	Kubota	.....	D14/228
4,910,795	A	*	3/1990	McCowen et al.	.....	455/95
D310,368	S	*	9/1990	Derhaag et al.	.....	D14/228
5,675,660	A	*	10/1997	Townsend	.....	381/361
6,463,159	B1	*	10/2002	Ming-Cheng	.....	381/355
D530,705	S	*	10/2006	Shen	.....	D14/225
D538,793	S	*	3/2007	Ma et al.	.....	D14/225
D538,794	S	*	3/2007	Ho	.....	D14/225
7,606,385	B2	*	10/2009	Akino	.....	381/361

\* cited by examiner

*Primary Examiner*—Paula Greene

(57) **CLAIM**

The ornamental design for an infared wireless microphone, as shown and described.

**DESCRIPTION**

FIG. 1 is a perspective view of an infared wireless microphone showing my design;

FIG. 2 is a front elevational view thereof;

FIG. 3 is a rear elevational view thereof;

FIG. 4 is a left side elevational view thereof;

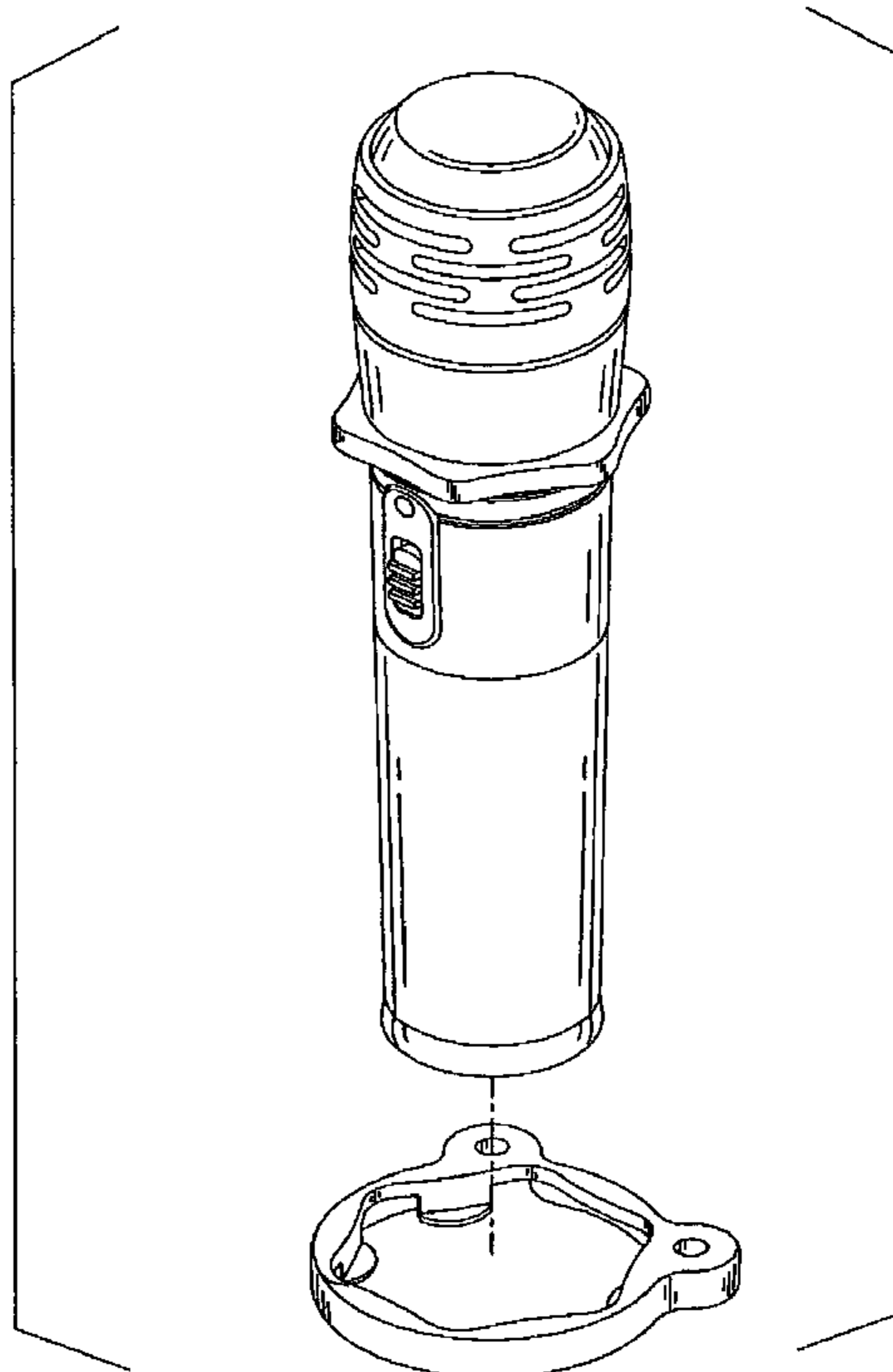
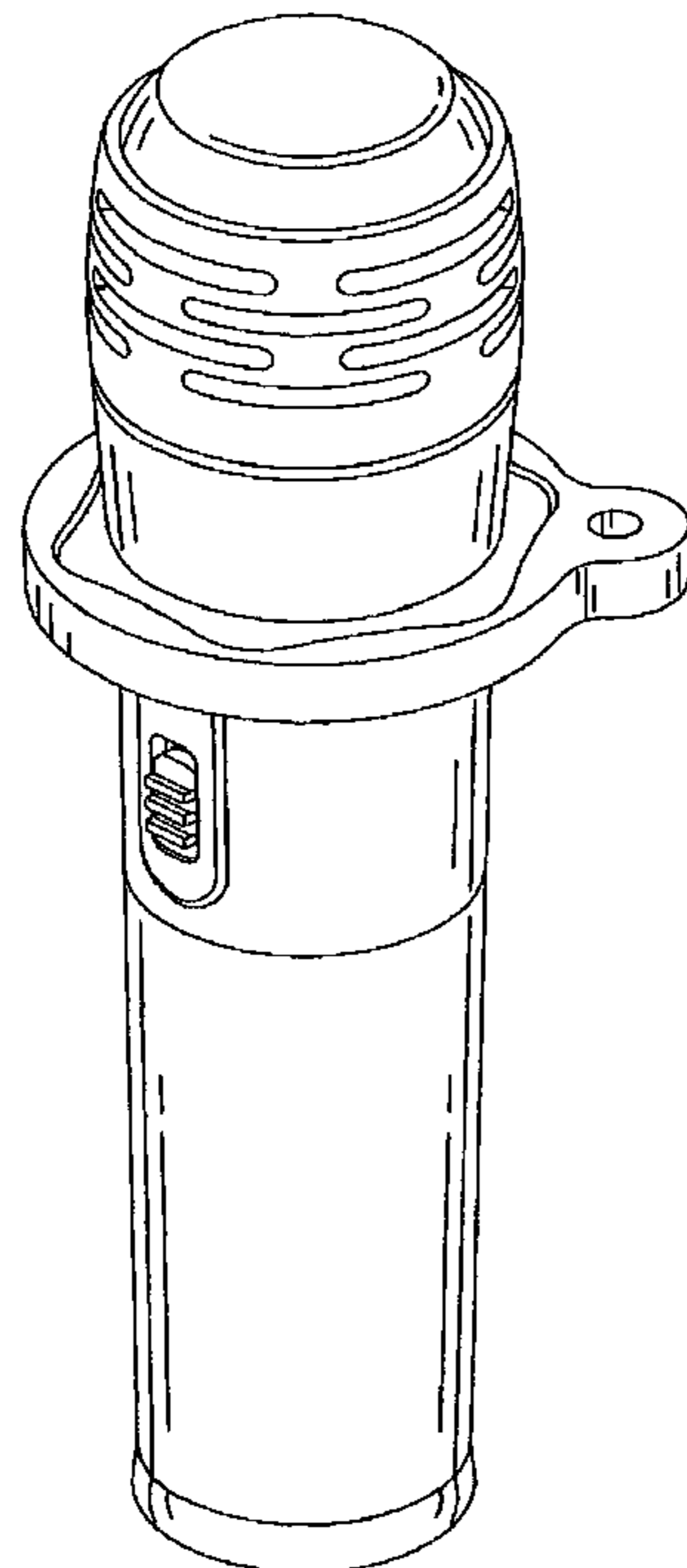
FIG. 5 is a right side elevational view thereof;

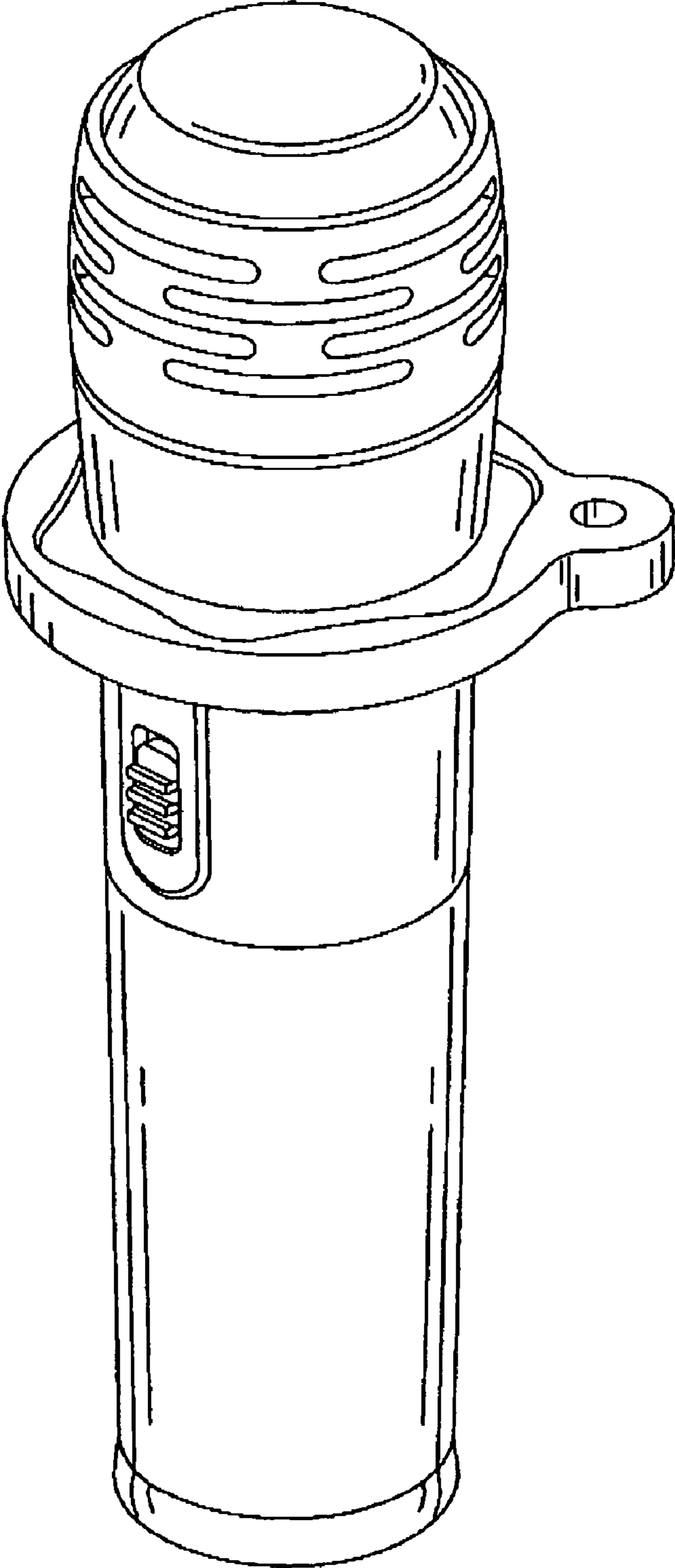
FIG. 6 is a top plan view thereof;

FIG. 7 is a bottom plan view thereof, the broken lines form no part of the claimed design; and,

FIG. 8 is an exploded view thereof.

**1 Claim, 7 Drawing Sheets**





**FIG. 1**

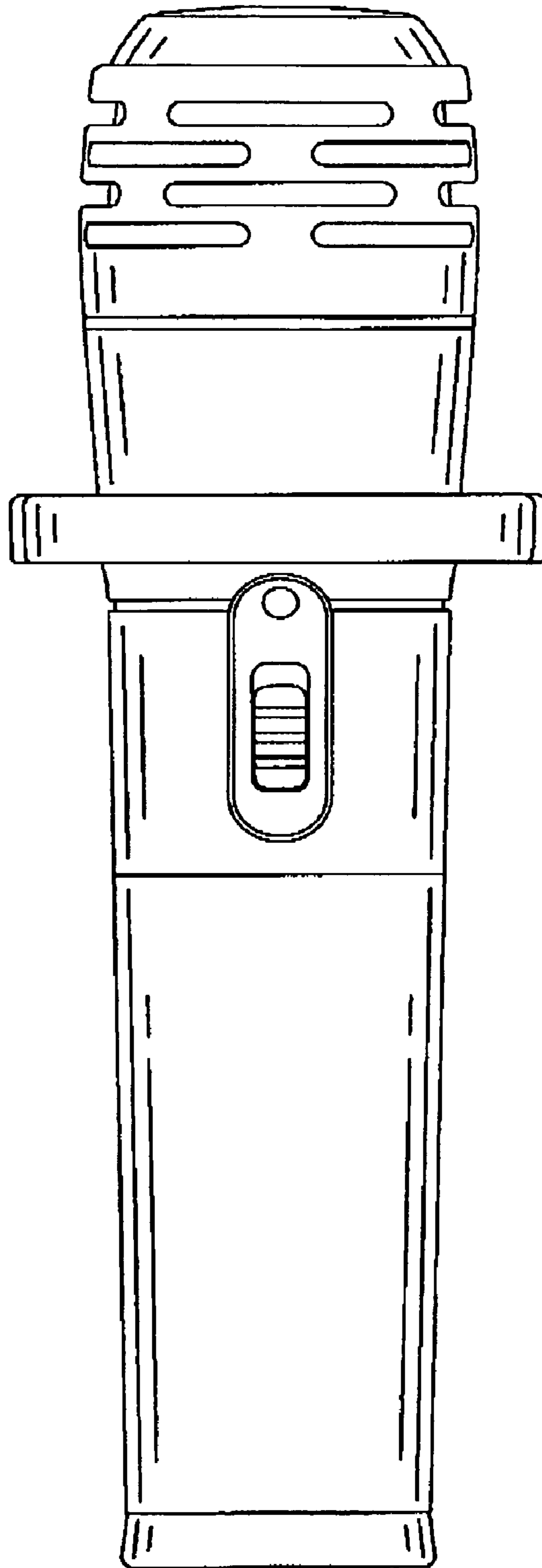


FIG.2

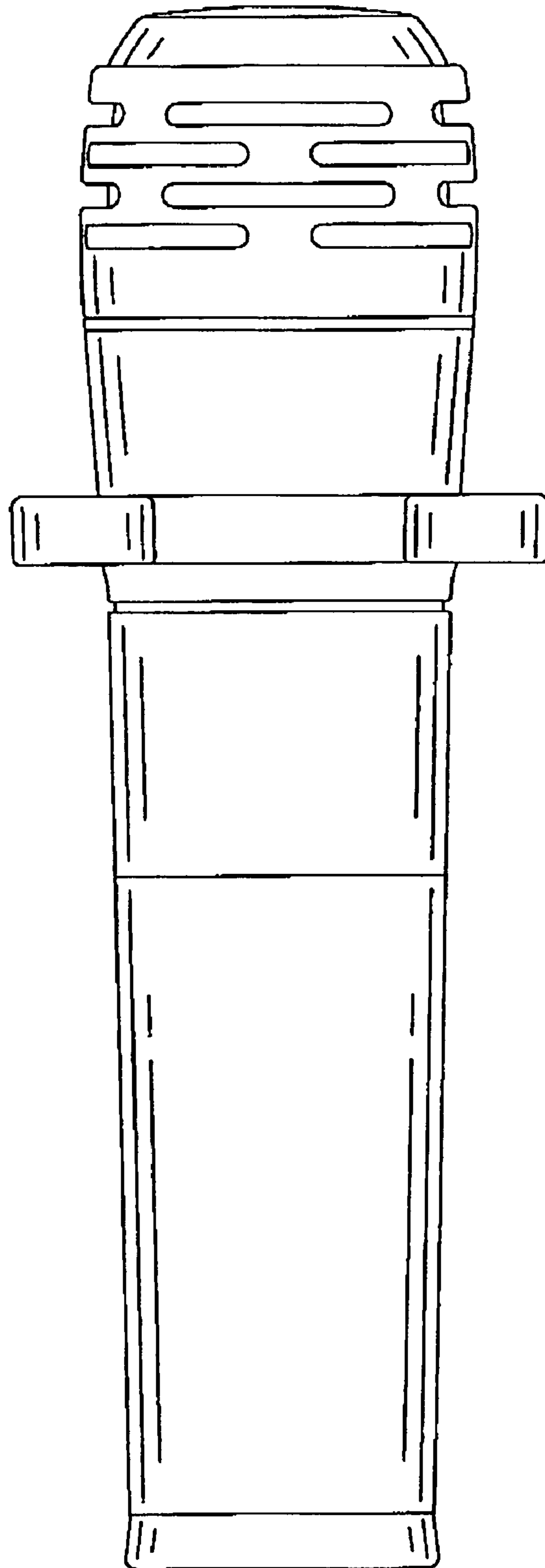


FIG.3

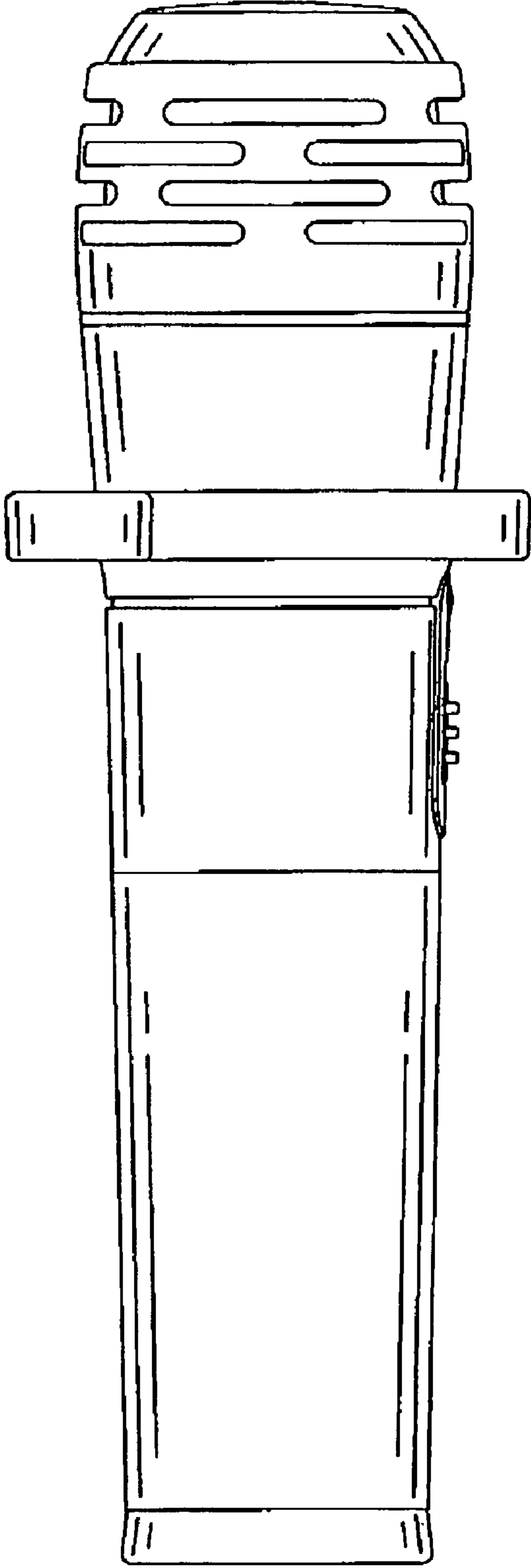


FIG.4

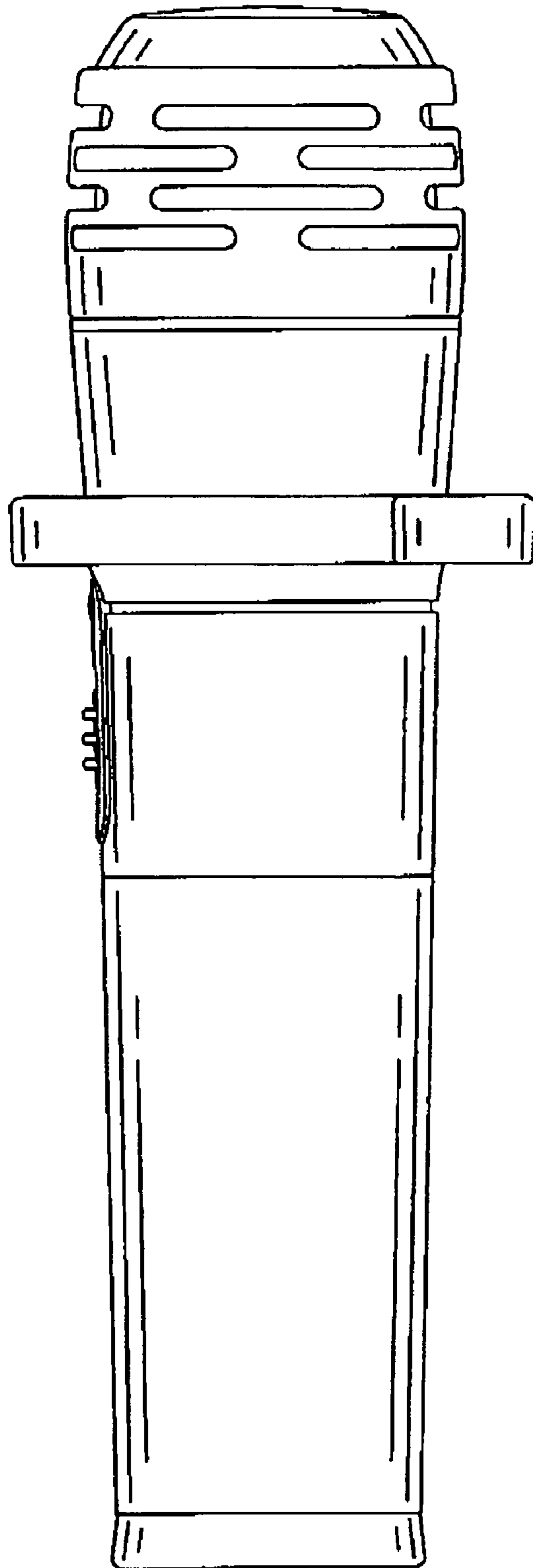
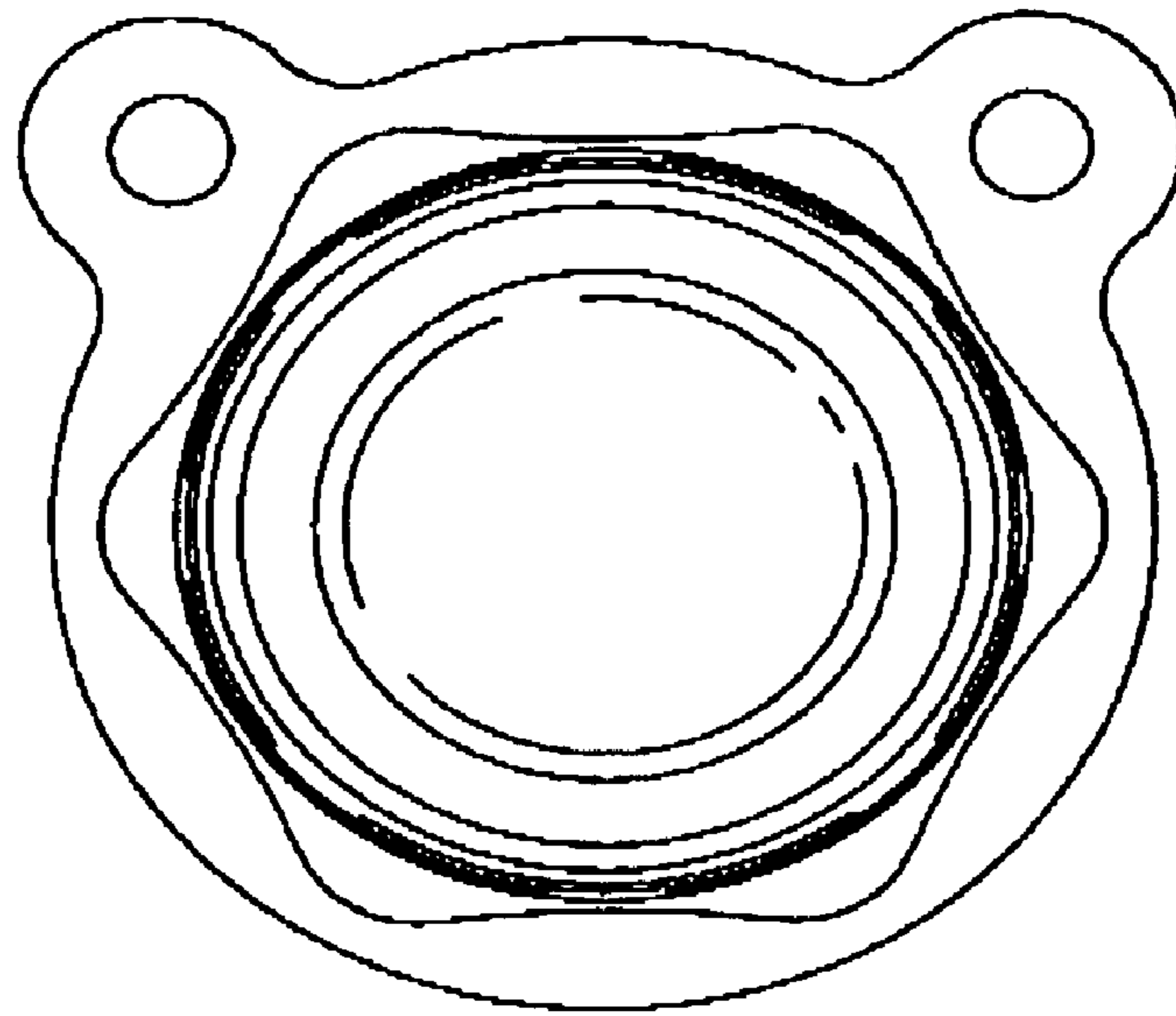
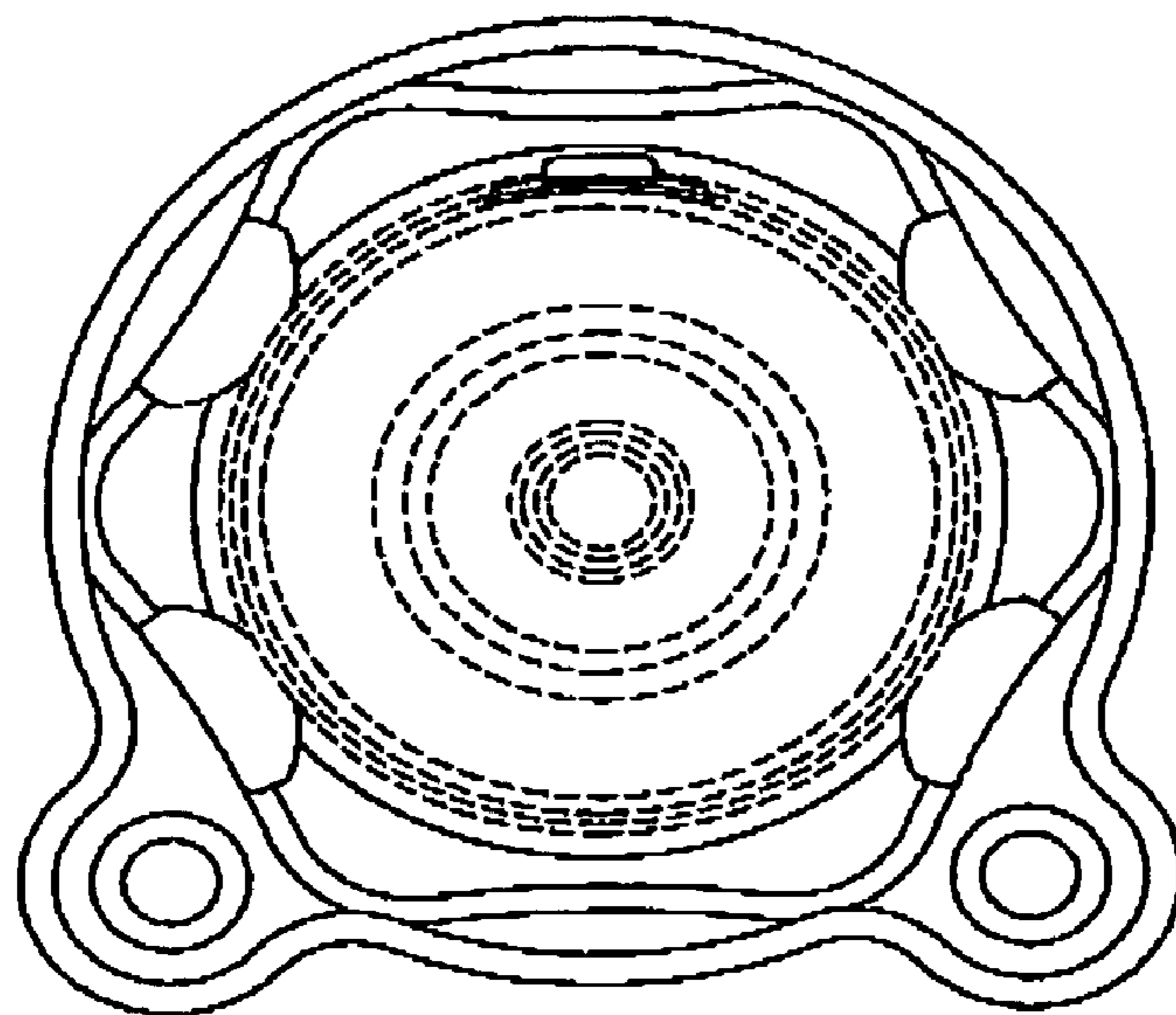


FIG. 5



**FIG. 6**



**FIG. 7**

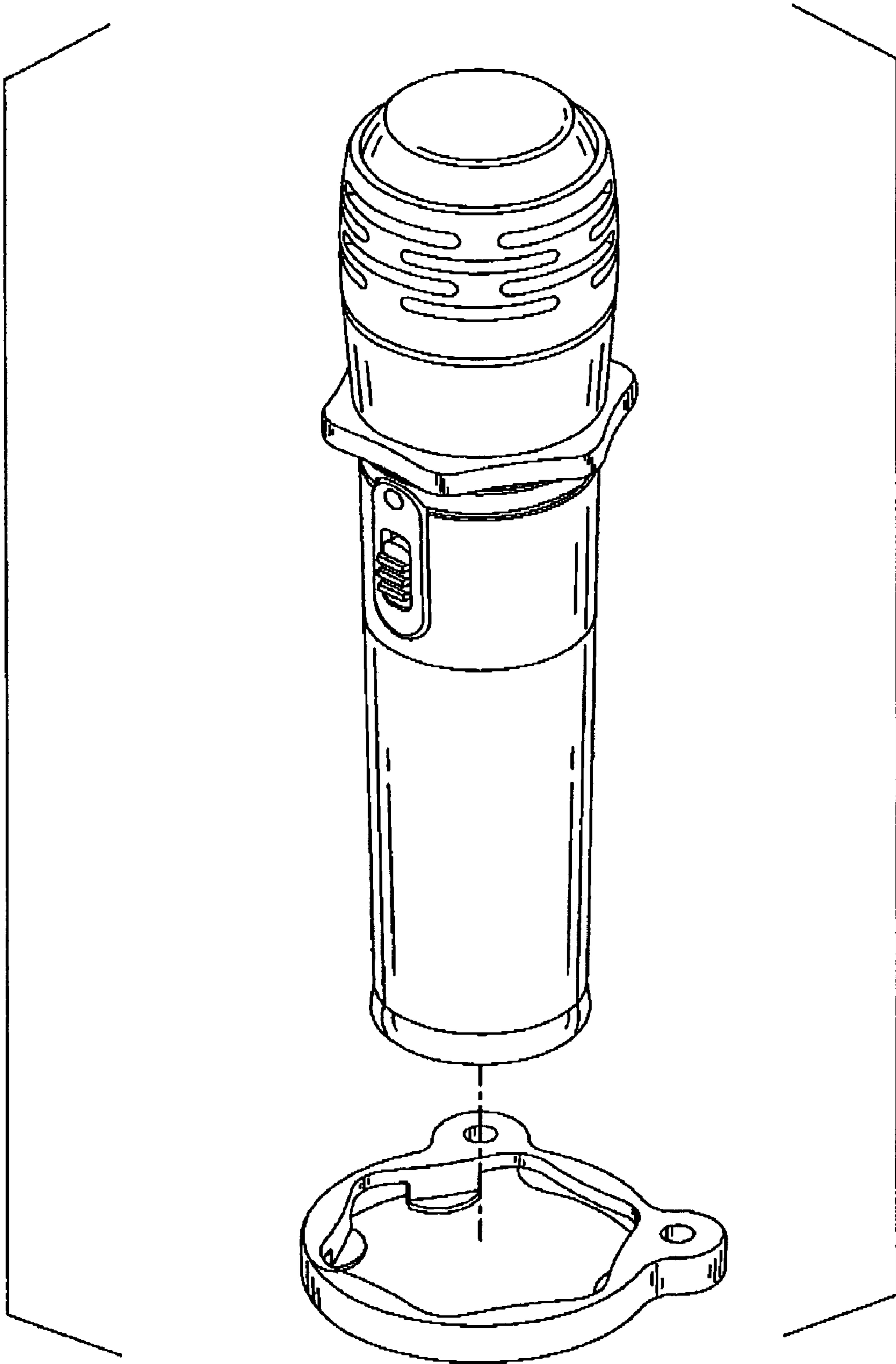


FIG.8