

US00D623629S

(12) **United States Design Patent**  
**Lau**

(10) **Patent No.:** **US D623,629 S**

(45) **Date of Patent:** **\*\* Sep. 14, 2010**

(54) **BLUETOOTH HEADSET**

(75) Inventor: **Chi Hang Lau**, Sheung Shui (HK)

(73) Assignee: **Hutchison Harbour Ring Enterprises Limited**, Tortola (VG)

(\*\*) Term: **14 Years**

(21) Appl. No.: **29/315,308**

(22) Filed: **Jun. 12, 2009**

(51) **LOC (9) Cl.** ..... **14-01**

(52) **U.S. Cl.** ..... **D14/223**

(58) **Field of Classification Search** ..... D14/205,  
D14/206, 223; 181/129, 130, 385, 375; 381/380,  
381/381; 379/430; D24/174

See application file for complete search history.

(56) **References Cited**

**U.S. PATENT DOCUMENTS**

D471,889 S *	3/2003	Rath et al.	.....	D14/205
D502,171 S *	2/2005	Tang et al.	.....	D14/223
D508,485 S *	8/2005	Katsumata	.....	D14/223
D509,823 S *	9/2005	Han et al.	.....	D14/223
D512,991 S *	12/2005	Yano	.....	D14/223
D517,054 S *	3/2006	Yang	.....	D14/223
D528,531 S *	9/2006	Rose et al.	.....	D14/138 R

D533,540 S *	12/2006	Murray	.....	D14/205
D538,792 S *	3/2007	Kim et al.	.....	D14/223
D555,151 S *	11/2007	Eklund	.....	D14/223
D585,431 S *	1/2009	Bradford et al.	.....	D14/223
D592,190 S *	5/2009	Birger	.....	D14/223
D602,006 S *	10/2009	Kim et al.	.....	D14/223

\* cited by examiner

*Primary Examiner*—Paula Greene

(74) *Attorney, Agent, or Firm*—Abelman, Frayne & Schwab

(57) **CLAIM**

The ornamental design for a bluetooth headset, as shown and described.

**DESCRIPTION**

FIG. 1 is a right, front side perspective view of a bluetooth headset showing my new design;

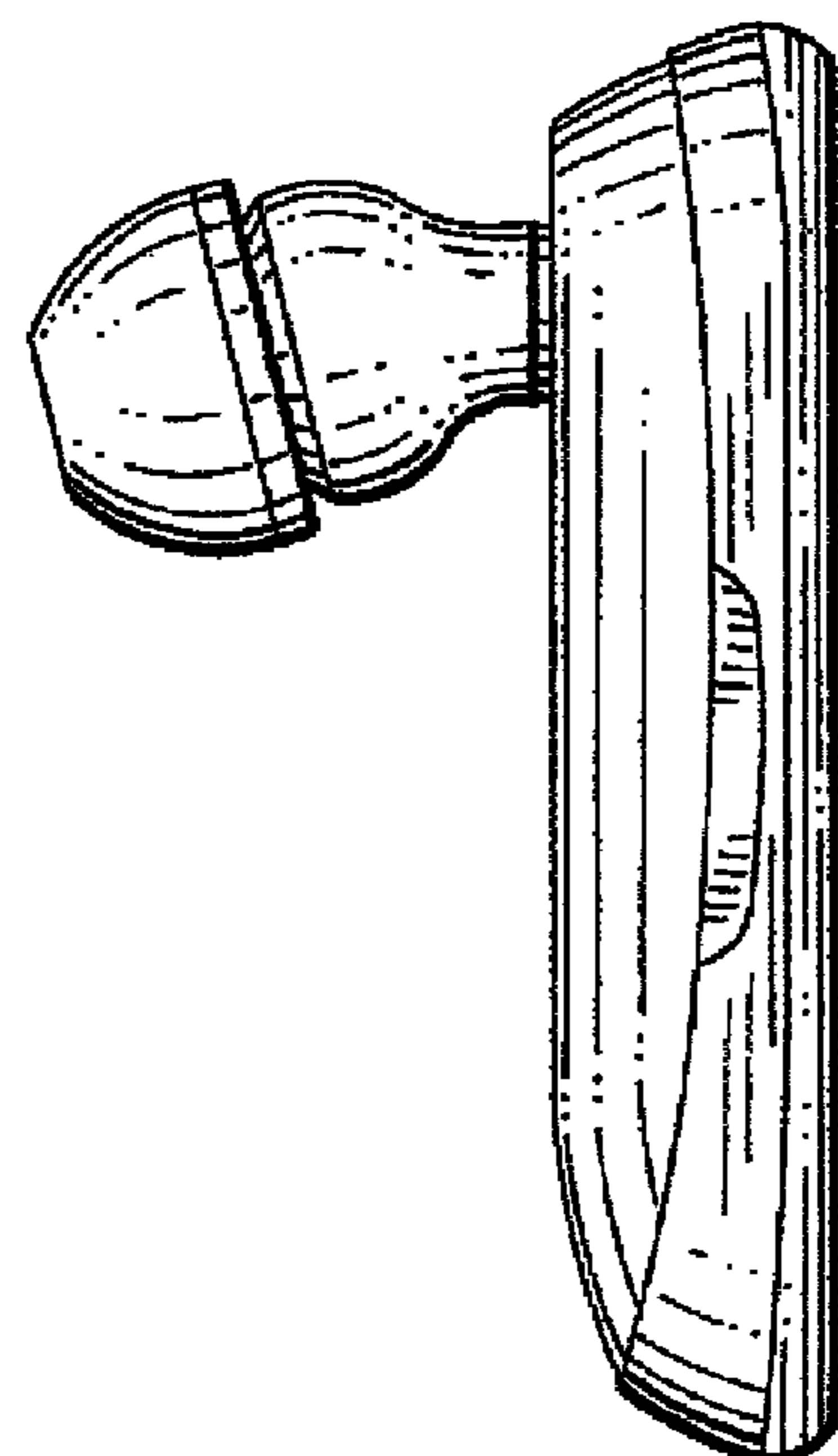
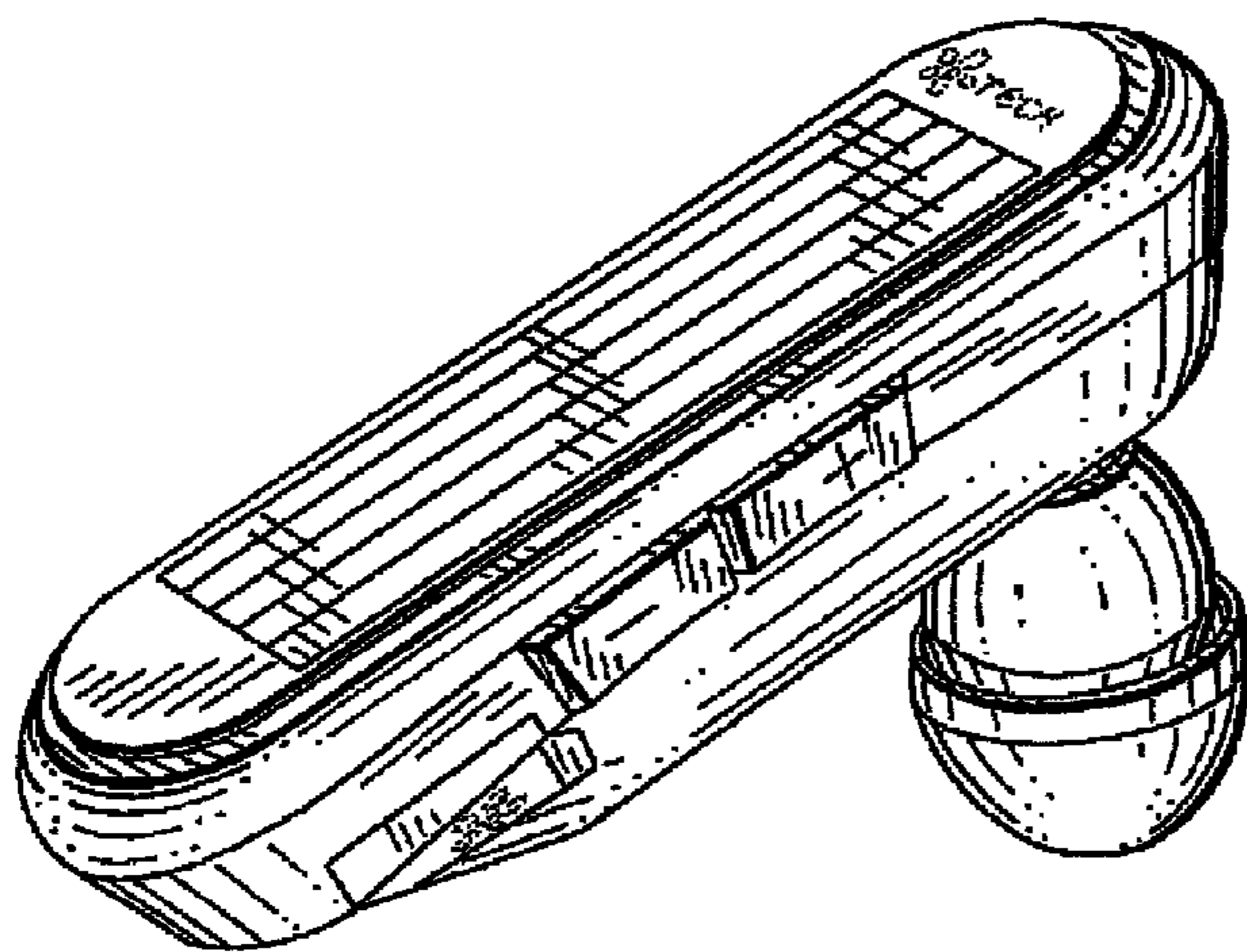
FIG. 2 is a left side view thereof;

FIG. 3 is a right side view thereof; and,

FIG. 4 is a front view thereof, the rear is plain and unornamented.

The broken line showing is for illustrative purposes only and forms no part of the claimed design.

**1 Claim, 2 Drawing Sheets**



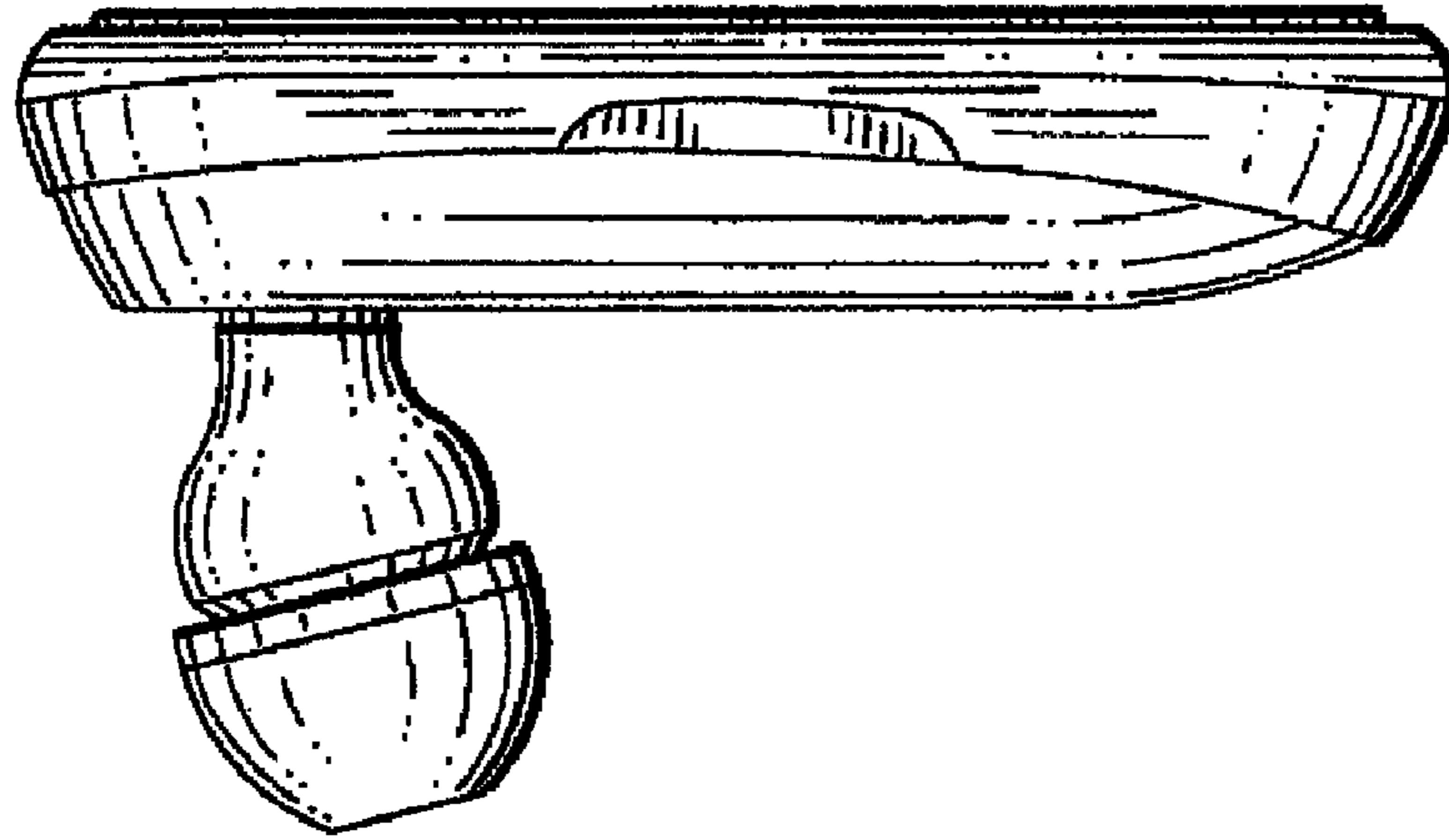


FIG. 2

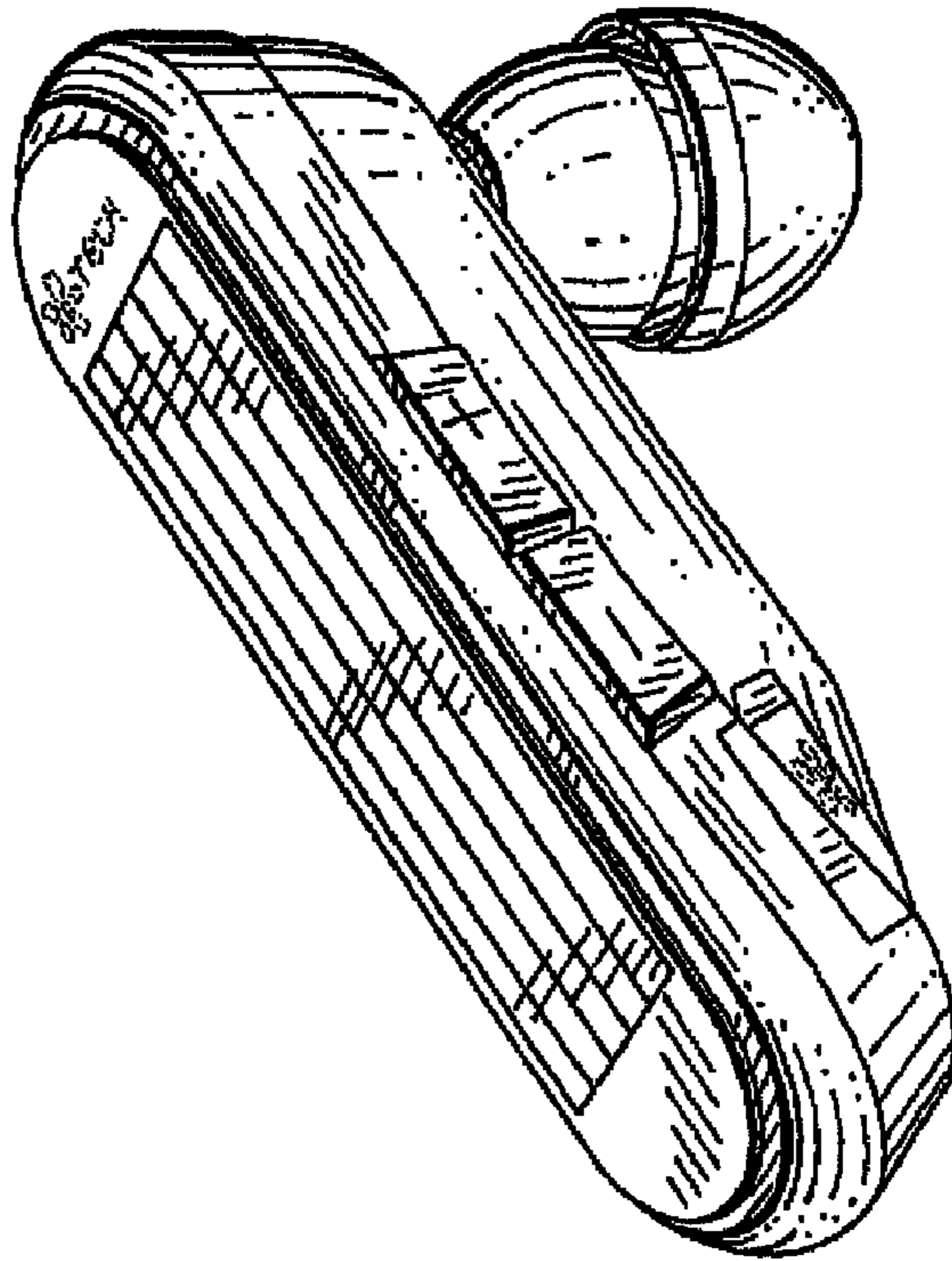


FIG. 1

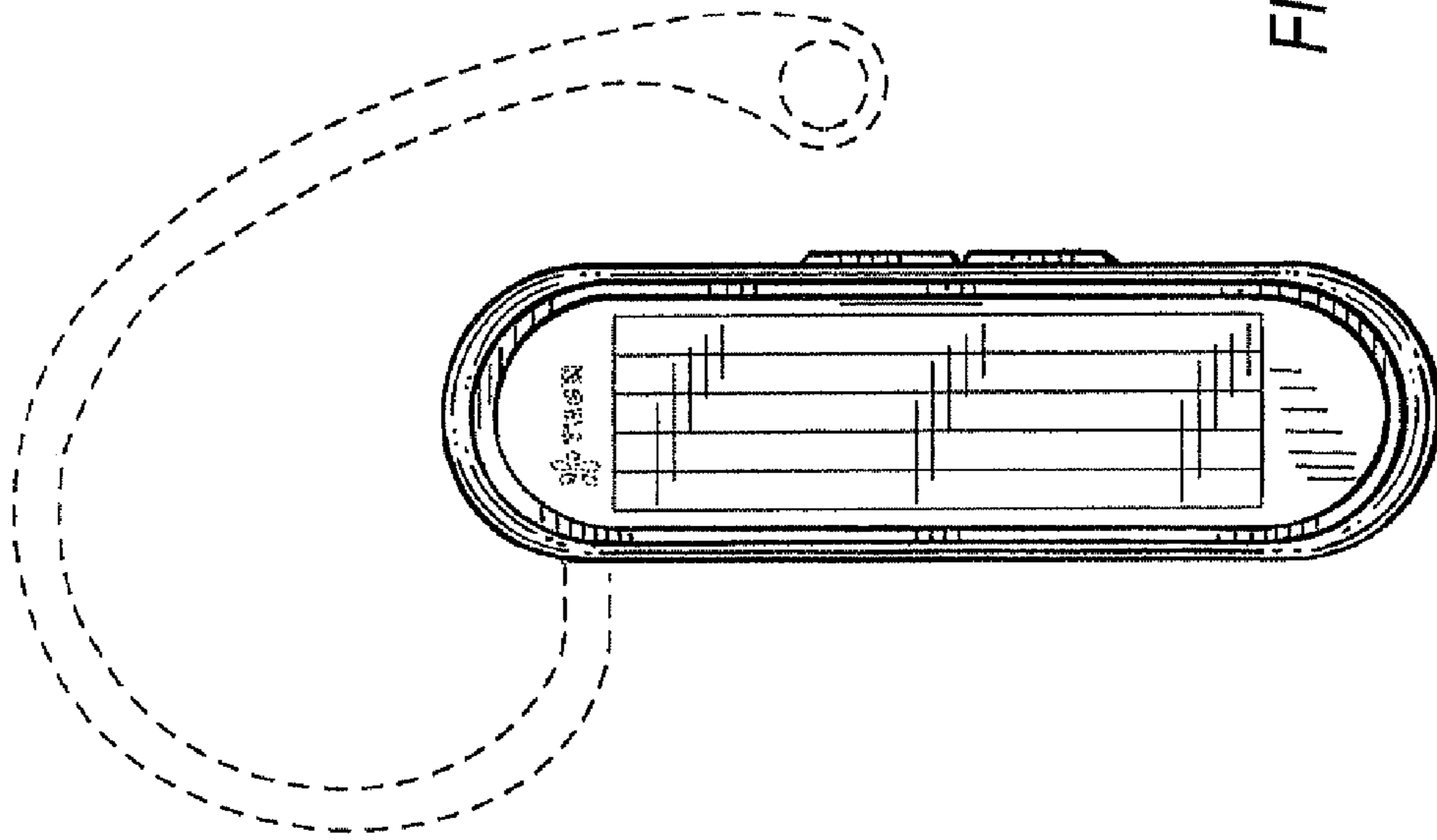


FIG. 4

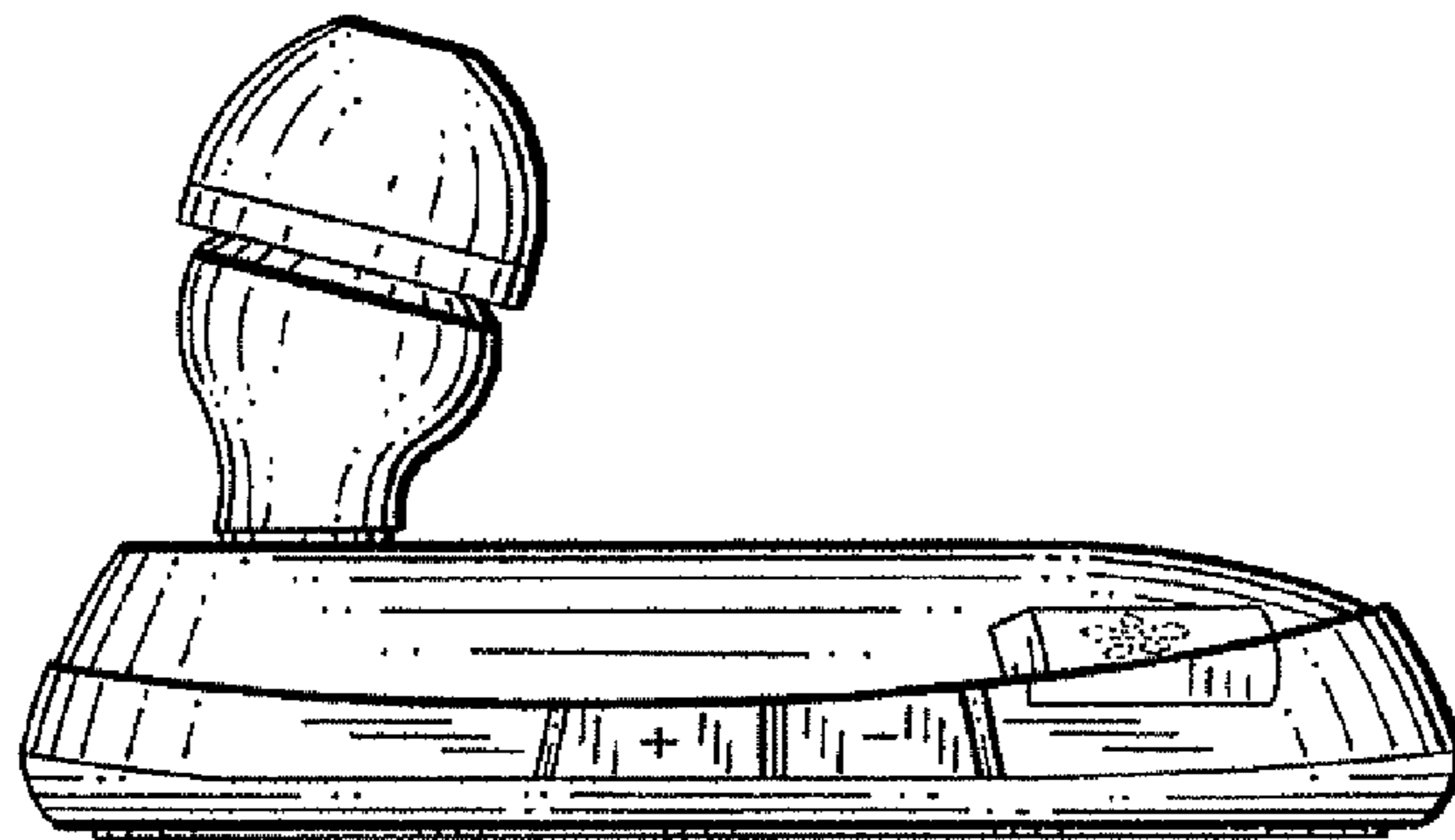


FIG. 3