



US00D623628S

(12) **United States Design Patent**
Solland

(10) **Patent No.:** **US D623,628 S**

(45) **Date of Patent:** **** Sep. 14, 2010**

(54) **PORTION OF A LOUDSPEAKER**

D579,002 S * 10/2008 Nakao D14/214
D593,990 S * 6/2009 Xie D14/168

(75) Inventor: **Kurt Solland**, Westlake Village, CA
(US)

* cited by examiner

(73) Assignee: **Harman International Industries, Incorporated**, Northridge, CA (US)

Primary Examiner—Nanda Bondade
(74) *Attorney, Agent, or Firm*—Plumsea Law Group, LLC

(**) Term: **14 Years**

(57) **CLAIM**

(21) Appl. No.: **29/351,752**

The ornamental design for a portion of a loudspeaker, as shown and described.

(22) Filed: **Dec. 10, 2009**

DESCRIPTION

(51) **LOC (9) Cl.** **14-01**

(52) **U.S. Cl.** **D14/214**

(58) **Field of Classification Search** D14/204,
D14/207, 209.1, 210–216, 168, 172; 181/143–144,
181/147–148, 150–153, 157, 198–199; 381/300–303,
381/306, 332–333, 336, 345, 361–364, 386–388
See application file for complete search history.

FIG. 1 is a perspective view of a portion of a loudspeaker showing my new design;
FIG. 2 is a top plan view thereof;
FIG. 3 is a front elevational view thereof;
FIG. 4 is a rear elevational view thereof;
FIG. 5 is a side elevational view of one side thereof; and,
FIG. 6 is a side elevational view of the other side thereof.

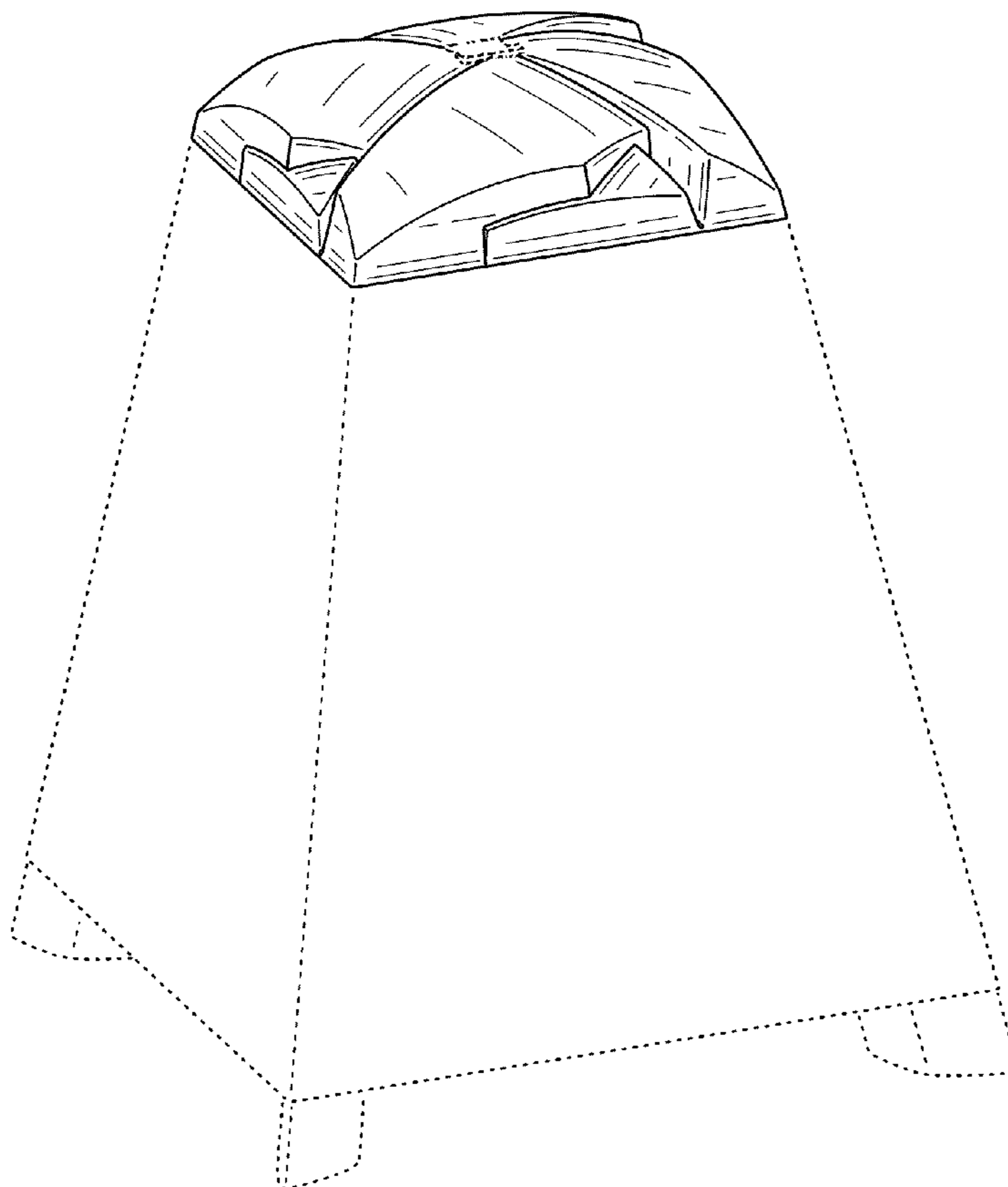
(56) **References Cited**

U.S. PATENT DOCUMENTS

D542,279 S * 5/2007 Chan D14/216
D567,221 S * 4/2008 Liang D14/207
D571,356 S * 6/2008 Smith D14/214
D577,711 S * 9/2008 Emge D14/214

The broken line showings of the plaque on the top and the remainder of the loudspeaker are for illustrative purposes only and form no part of the claimed design.

1 Claim, 6 Drawing Sheets



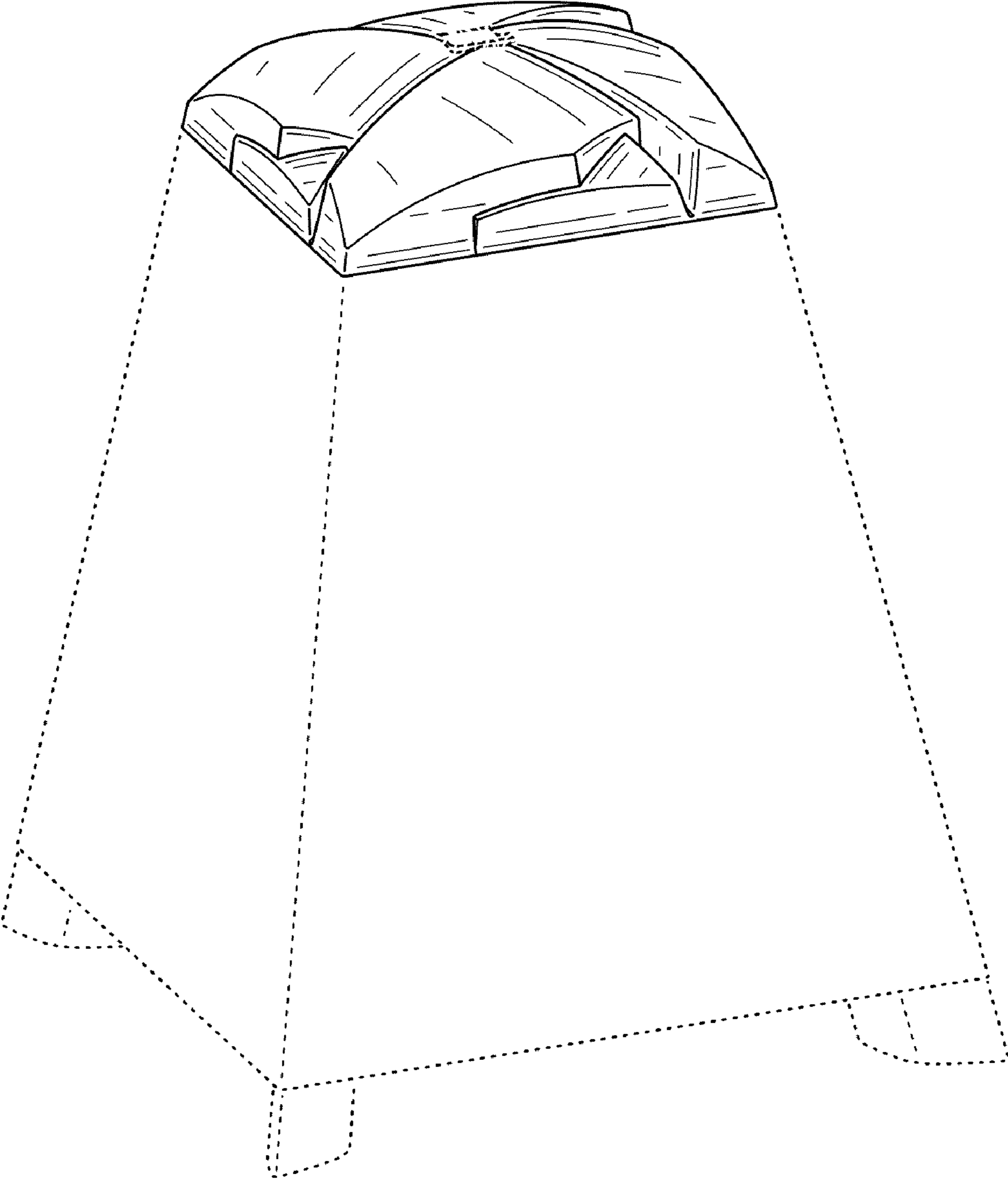


FIG. 1

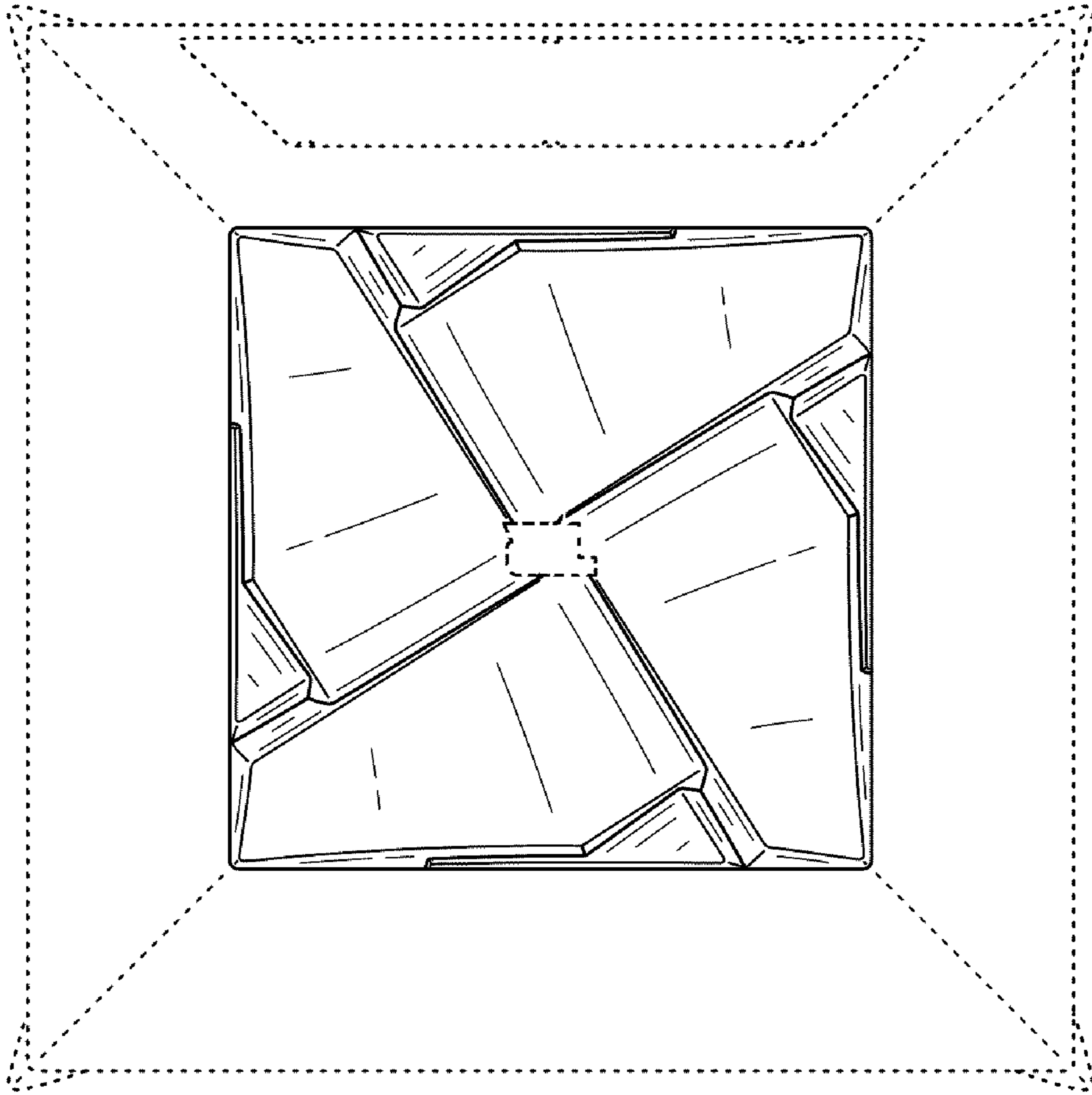


FIG. 2

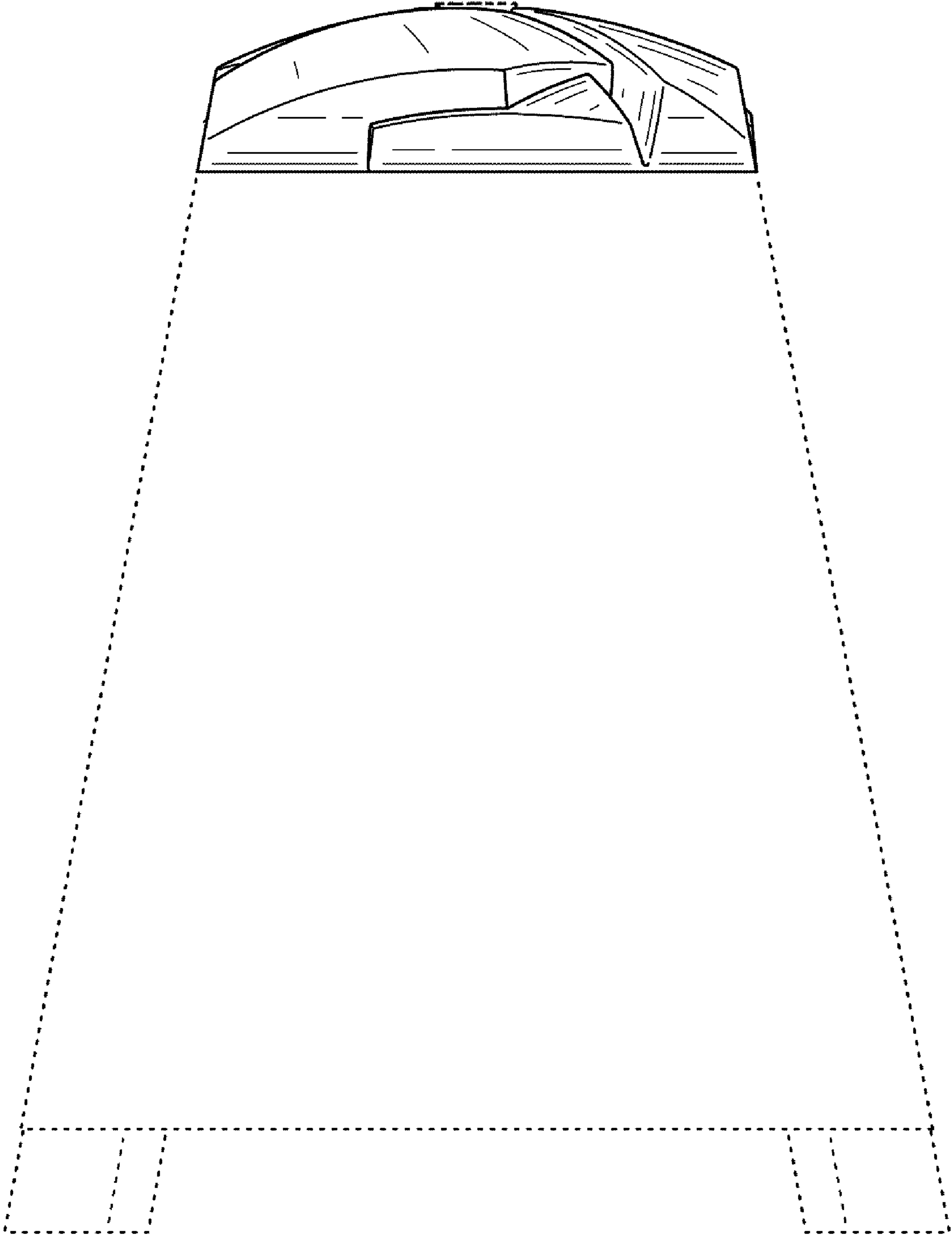


FIG. 3

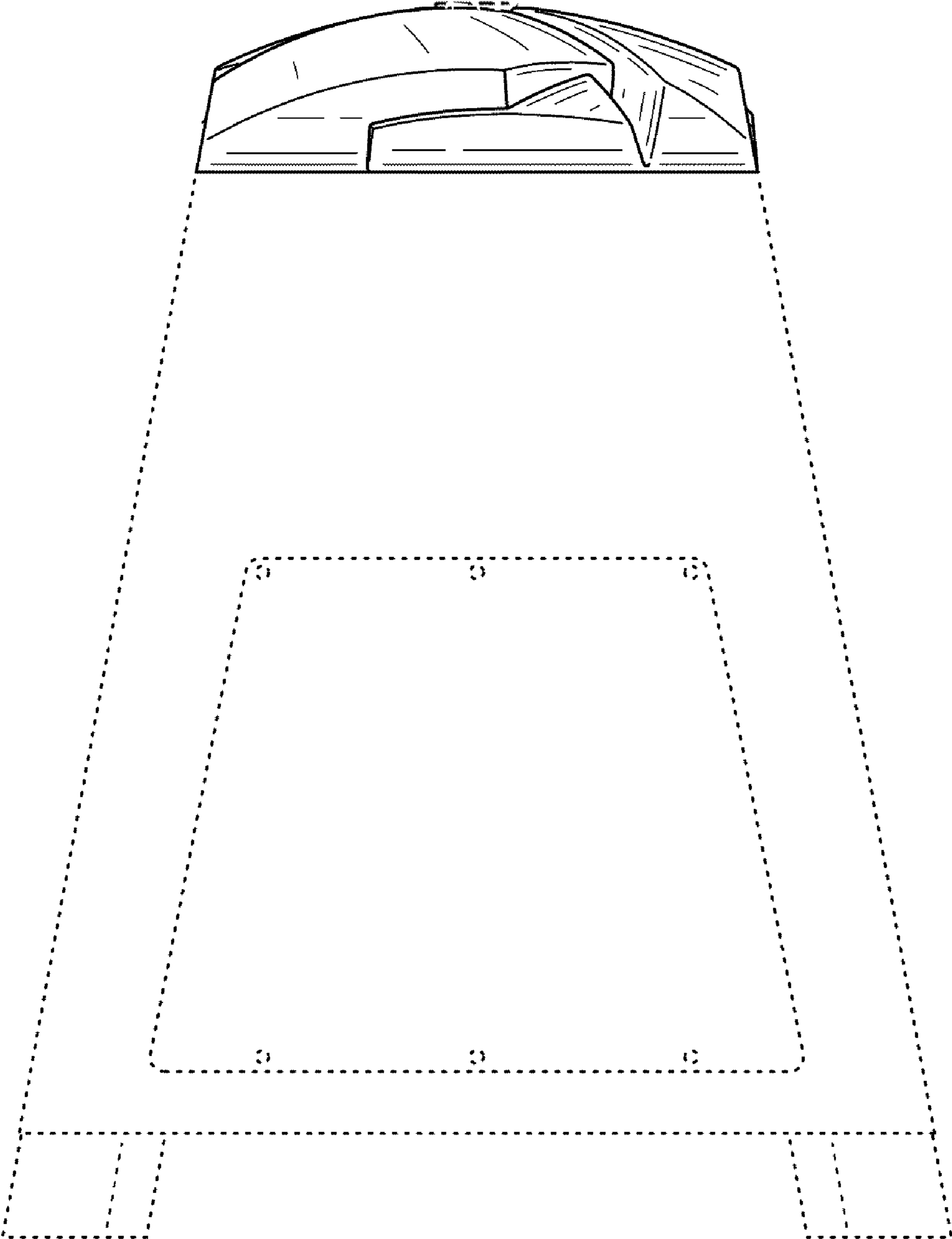


FIG. 4

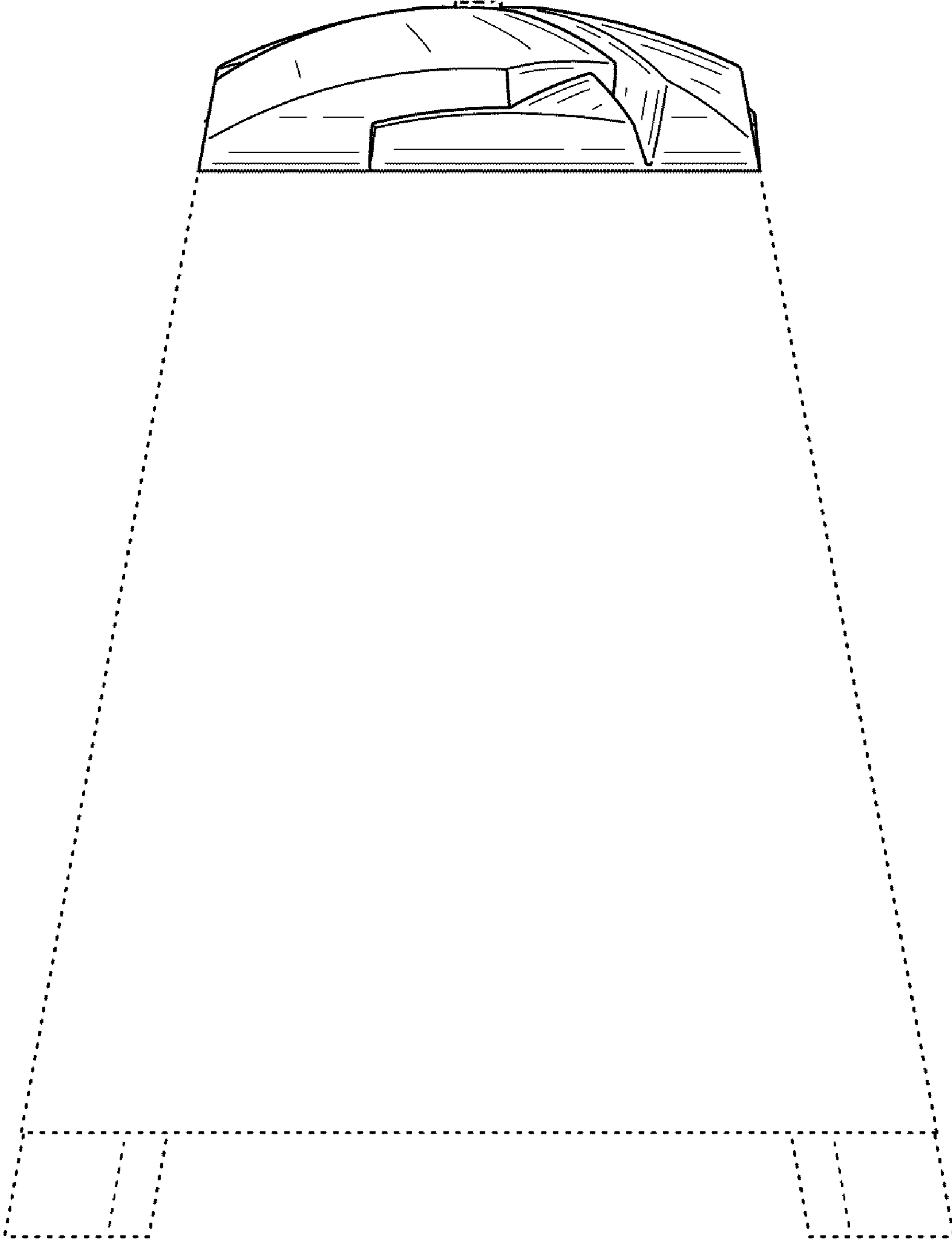


FIG. 5

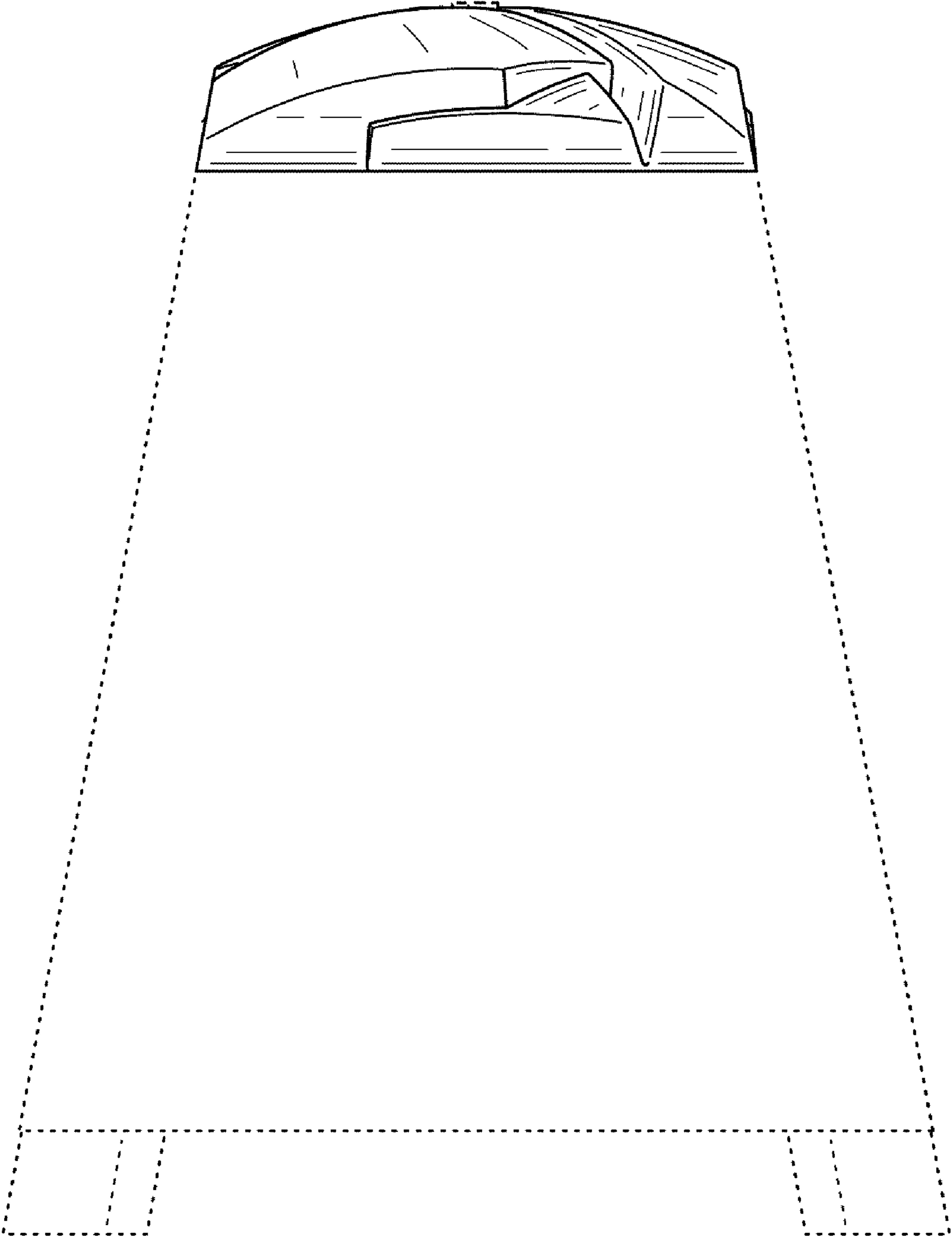


FIG. 6