



US00D623626S

(12) **United States Design Patent**  
**Tomono et al.**

(10) **Patent No.:** **US D623,626 S**  
(45) **Date of Patent:** **\*\* Sep. 14, 2010**

(54) **DIGITAL AUDIO DISK PLAYER WITH BUILT-IN DISPLAYING TUNER AND AMPLIFIER**

(75) Inventors: **Mizuki Tomono**, Meguro (JP); **Jota Kurachi**, Meguro (JP)

(73) Assignee: **Pioneer Kabushiki Kaisha**, Tokyo (JP)

(\*\*) Term: **14 Years**

(21) Appl. No.: **29/311,298**

(22) Filed: **Feb. 11, 2009**

(30) **Foreign Application Priority Data**

Dec. 4, 2008 (JP) ..... 2008-031057

(51) **LOC (9) Cl.** ..... **14-01**

(52) **U.S. Cl.** ..... **D14/168**; D14/132

(58) **Field of Classification Search** ..... D14/496, D14/498-505, 511, 129, 132, 157, 167-168, D14/188, 197-198, 257-258, 203.8; 360/99.02, 360/99.07; 369/75.11, 75.21, 77.11, 77.21; 720/601, 612, 619, 649, 655; 455/344, 347-351; D10/65

See application file for complete search history.

(56) **References Cited**

**U.S. PATENT DOCUMENTS**

D538,769 S \* 3/2007 Nemoto ..... D14/499  
D541,681 S \* 5/2007 Sekino et al. .... D10/65  
D550,637 S \* 9/2007 Iwamoto et al. .... D14/132  
D559,228 S \* 1/2008 Iwamoto ..... D14/157

D564,473 S \* 3/2008 Nemoto ..... D14/129  
D564,474 S \* 3/2008 Miyawaki ..... D14/129  
D565,559 S \* 4/2008 Aihara ..... D14/258  
D572,218 S \* 7/2008 Iwamoto ..... D14/132  
D577,697 S \* 9/2008 Miyawaki ..... D14/132  
D578,974 S \* 10/2008 Miyawaki ..... D14/132  
D582,807 S \* 12/2008 Ichikawa et al. .... D10/65

\* cited by examiner

*Primary Examiner*—Nanda Bondade

(74) *Attorney, Agent, or Firm*—Oliff & Berridge, PLC

(57) **CLAIM**

The ornamental design for a digital audio disk player with built-in displaying tuner and amplifier, as shown and described.

**DESCRIPTION**

FIG. 1 is a perspective view of a digital audio disk player with built-in displaying tuner and amplifier, in which the display portion is in a closed position;

FIG. 2 is a perspective view of the digital audio disk player with built-in displaying tuner and amplifier, in which the display portion is in an open position;

FIG. 3 is a front view thereof;

FIG. 4 is a rear view thereof;

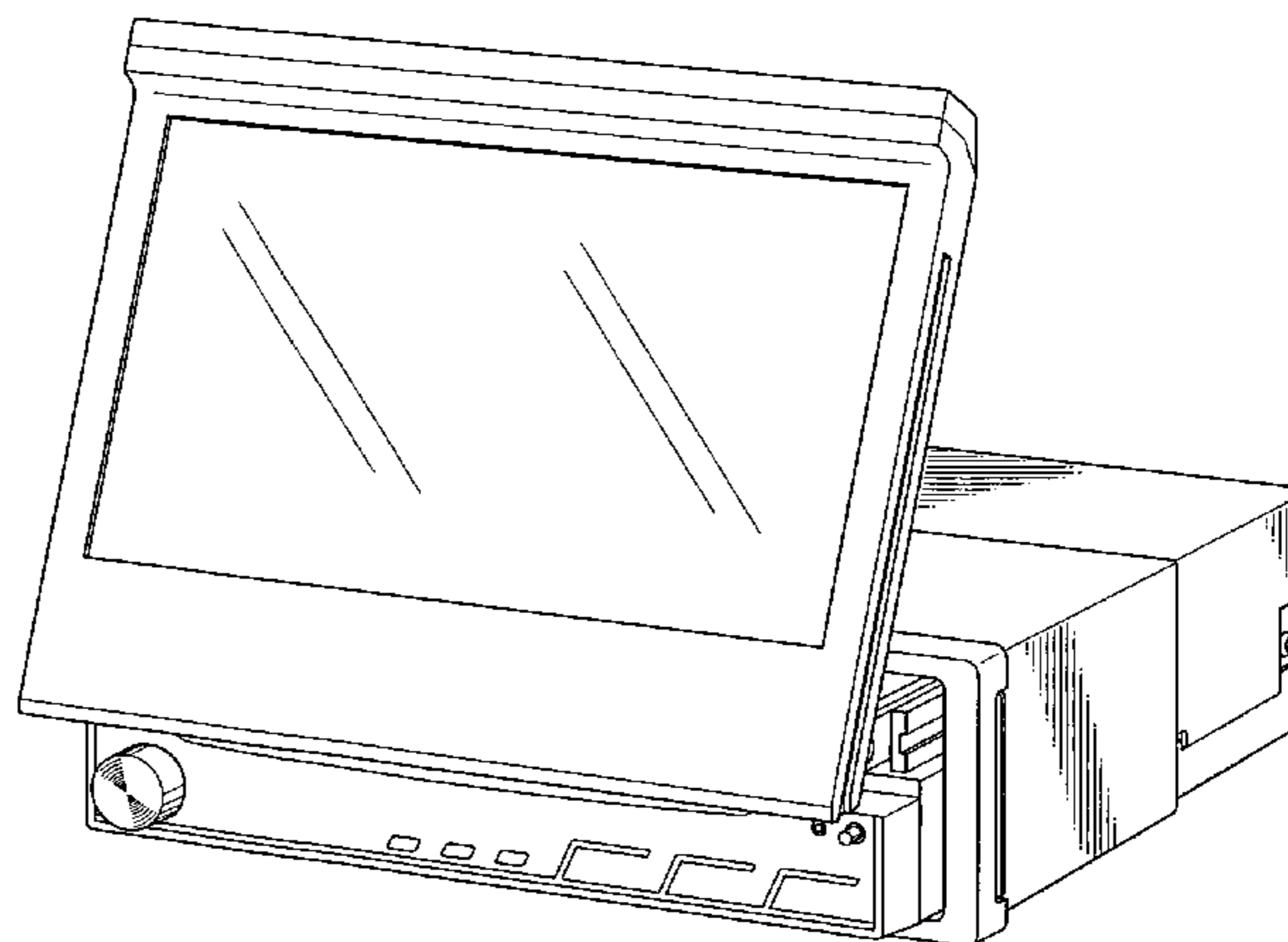
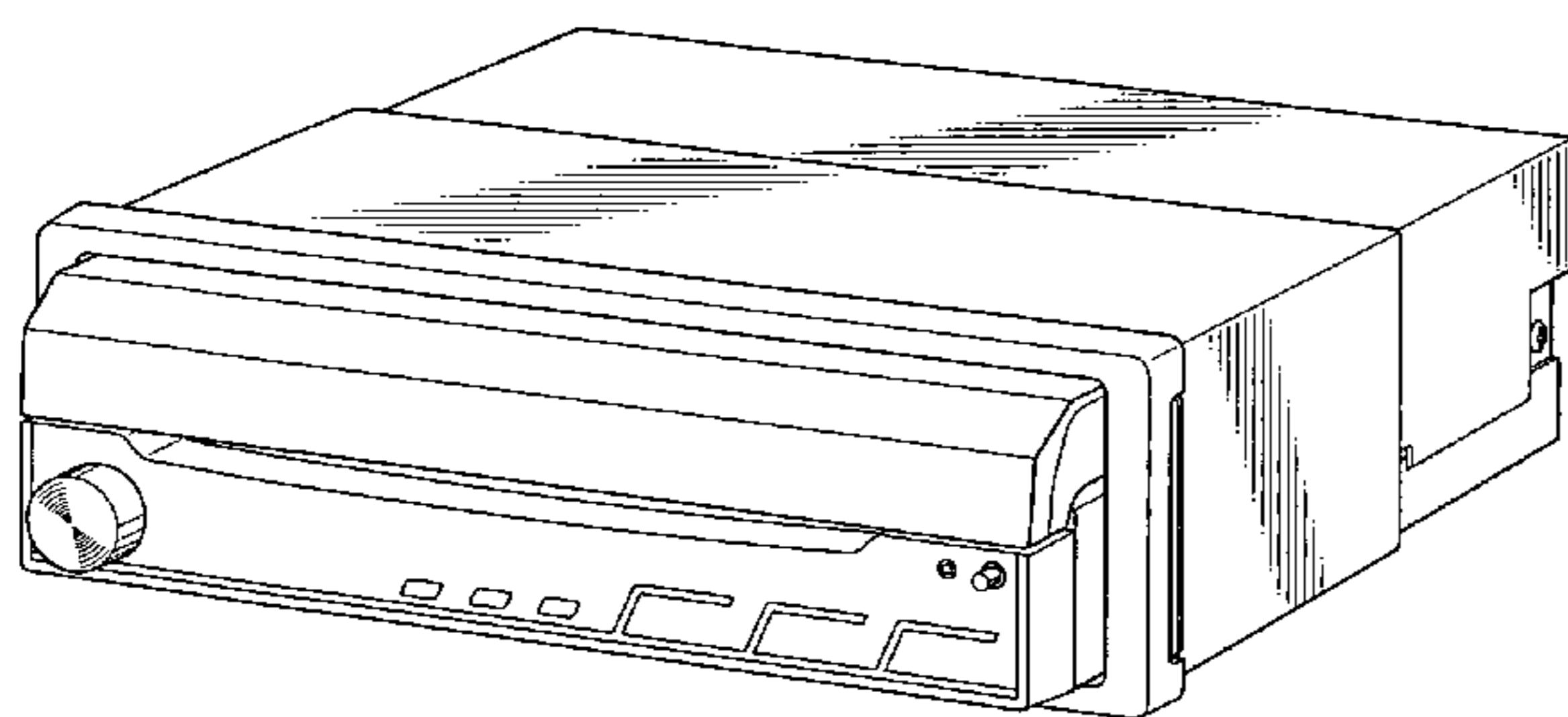
FIG. 5 is a left-side view thereof;

FIG. 6 is a right-side view thereof;

FIG. 7 is a top view thereof; and,

FIG. 8 is a bottom view thereof.

**1 Claim, 5 Drawing Sheets**



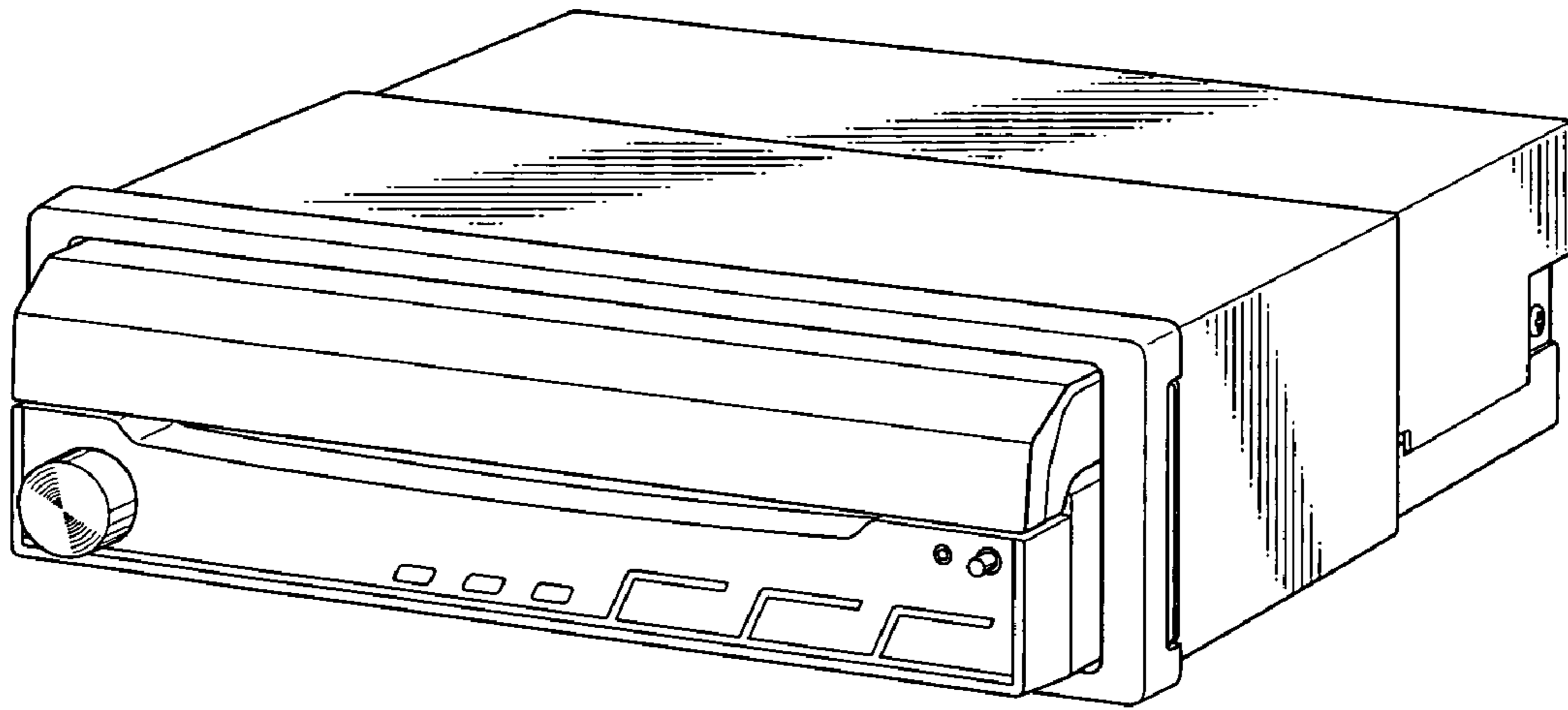


FIG. 1

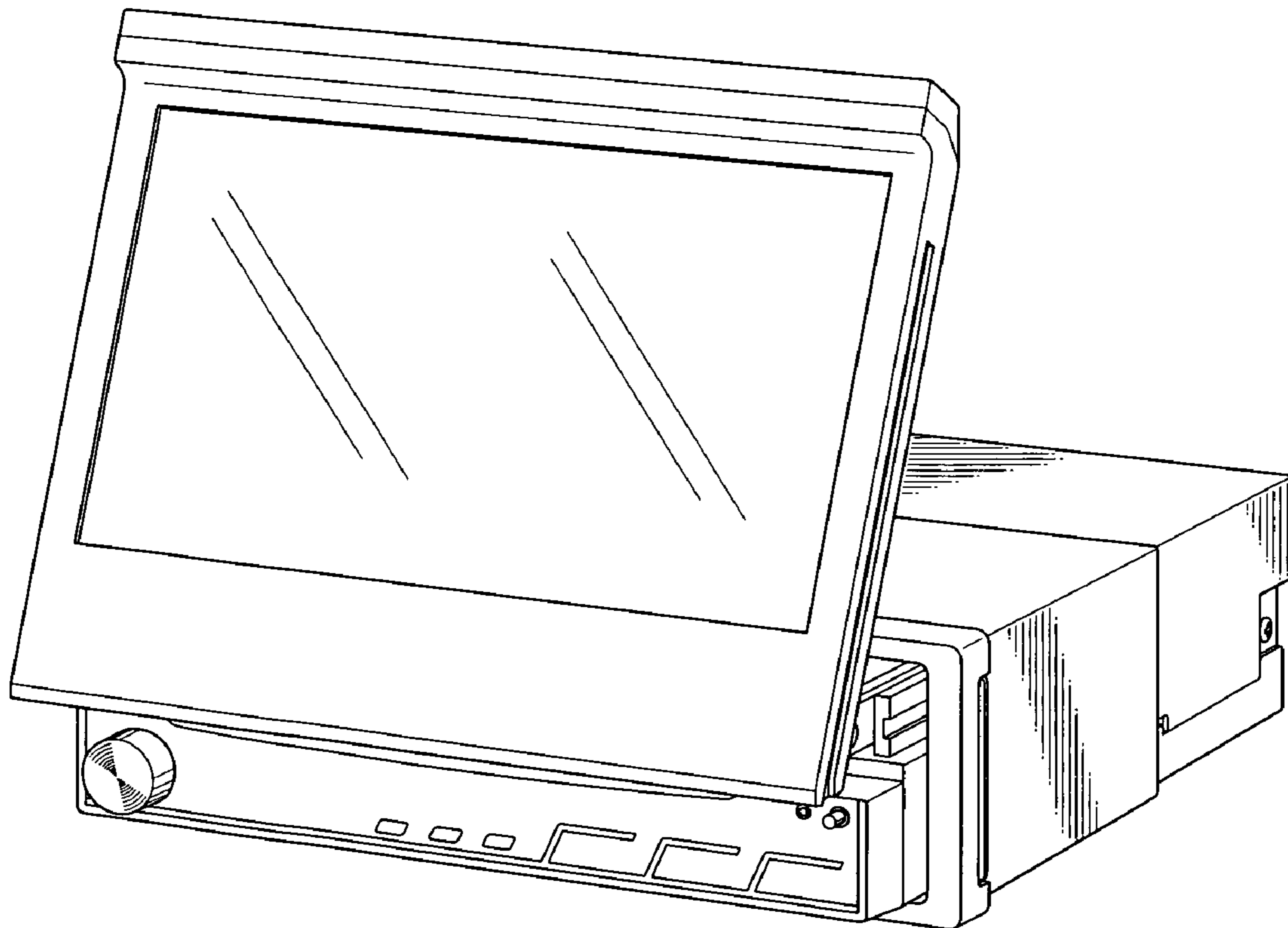


FIG. 2

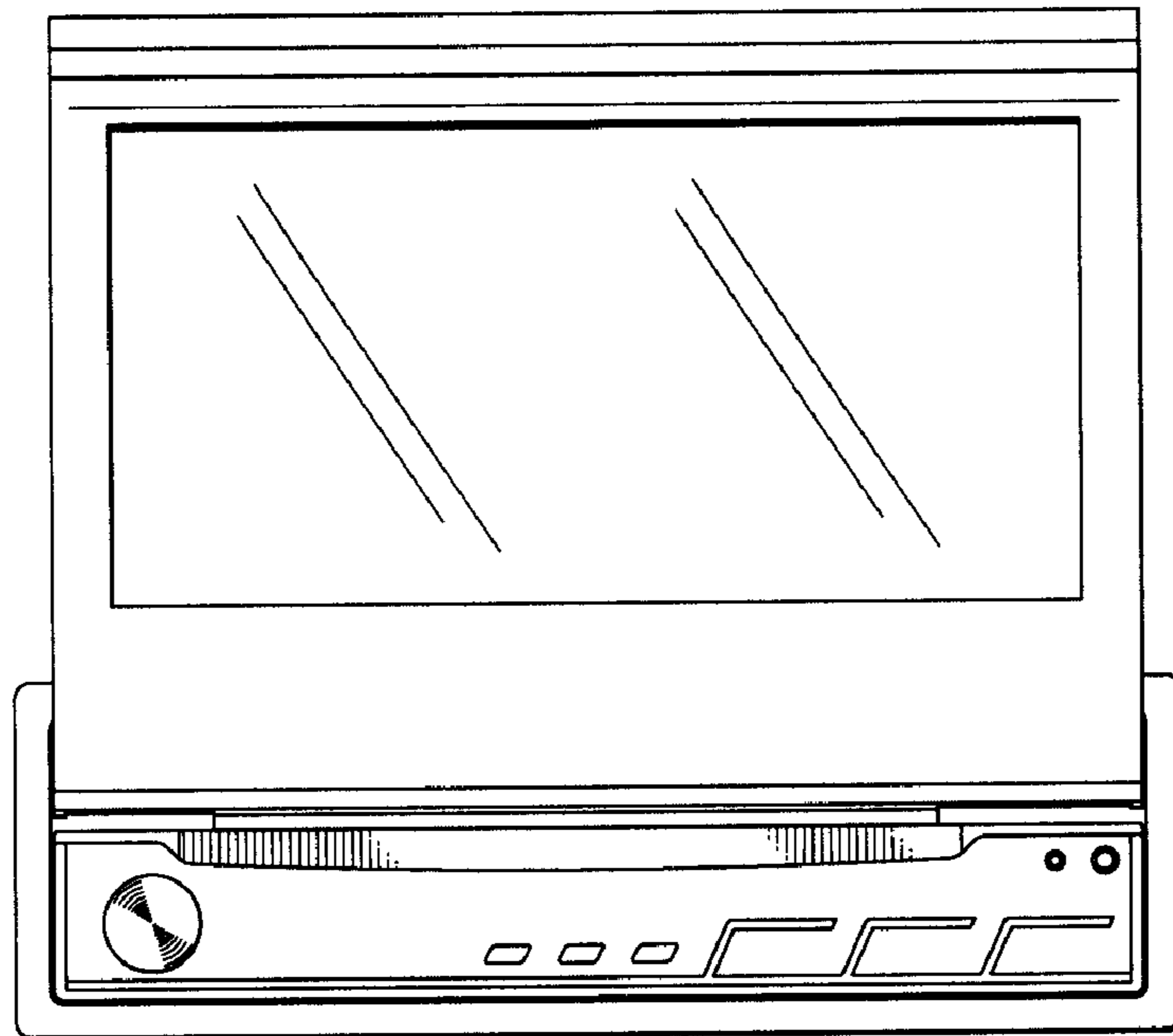


FIG. 3

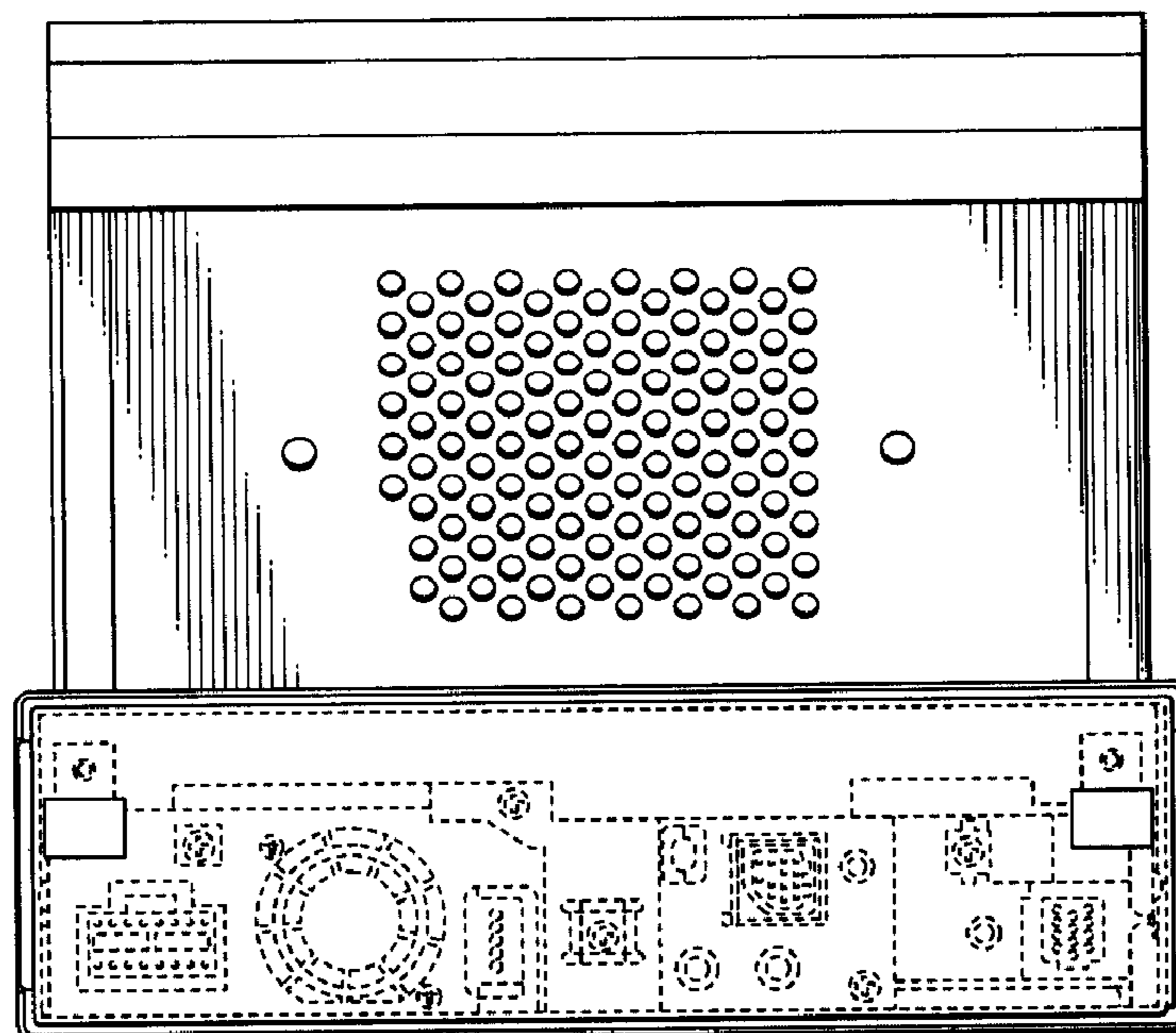


FIG. 4

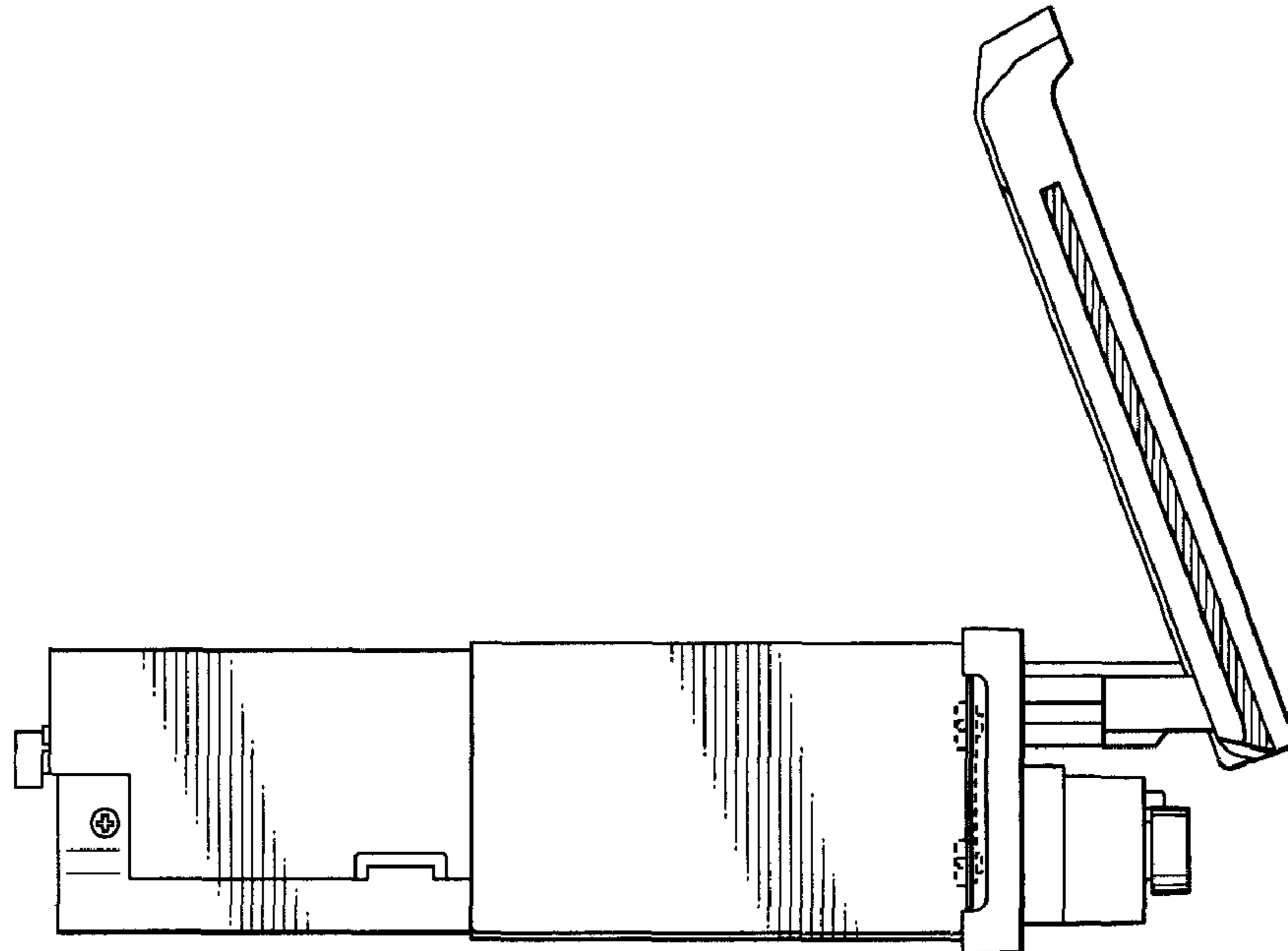


FIG. 5

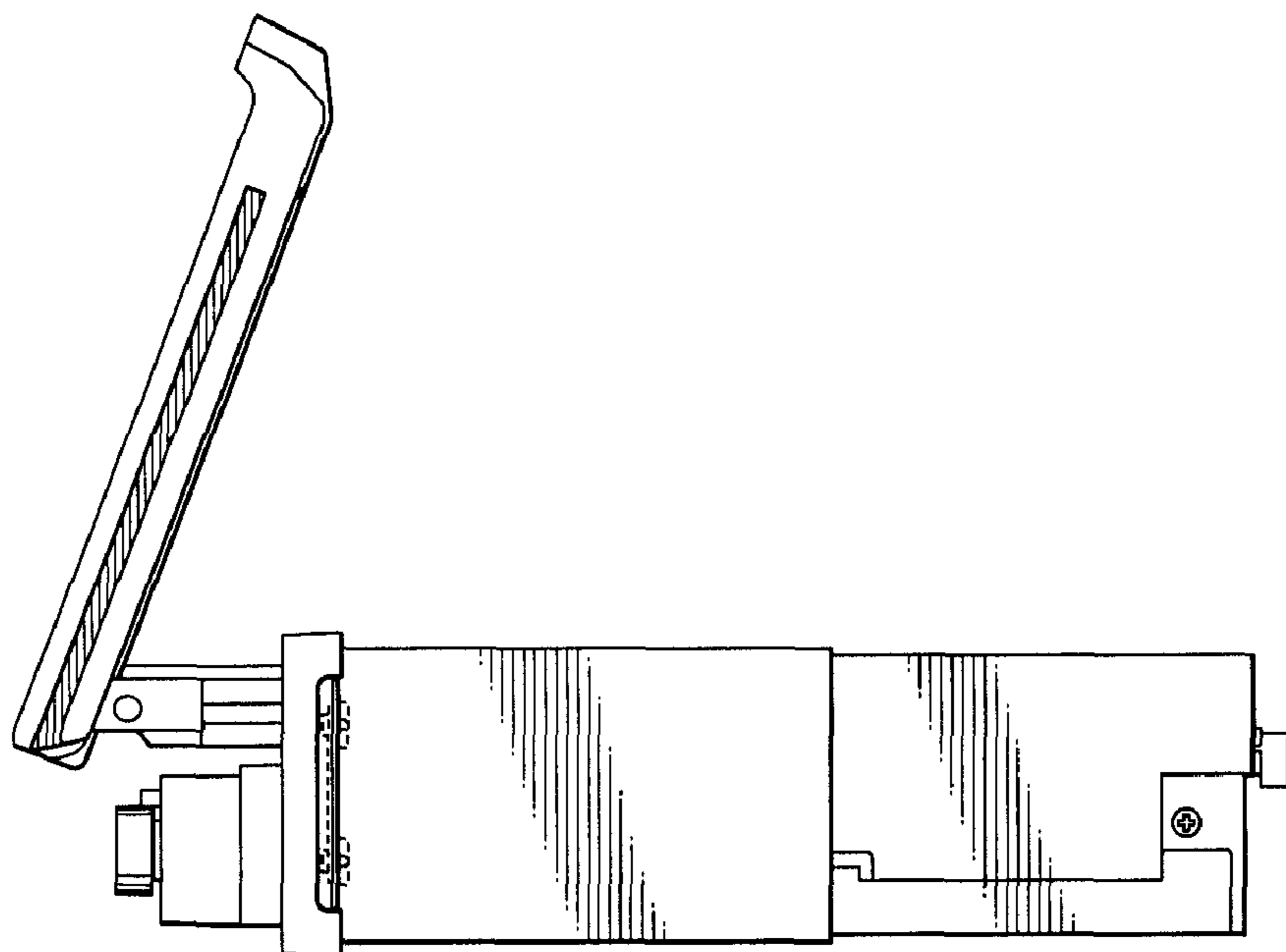


FIG. 6

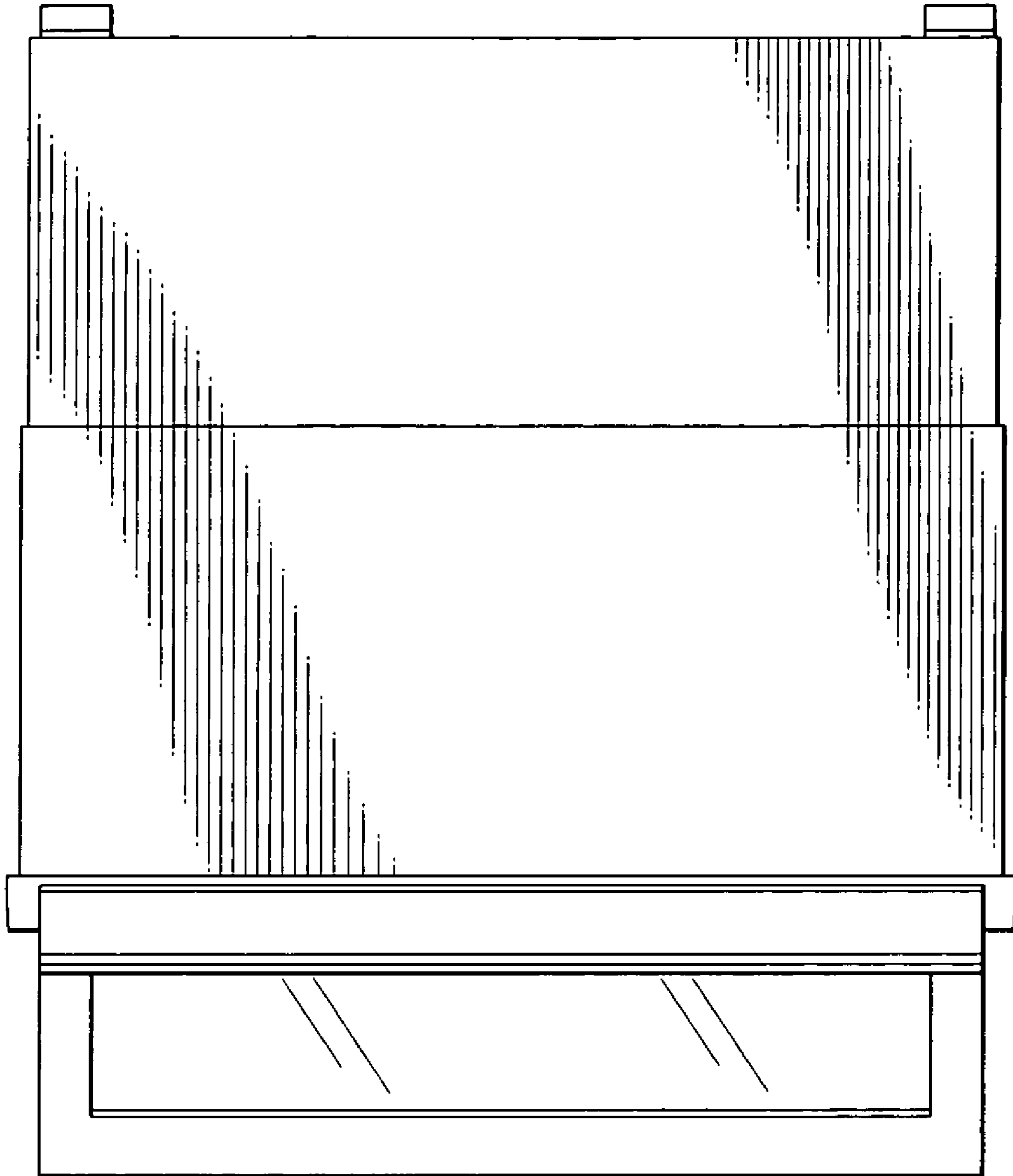


FIG. 7

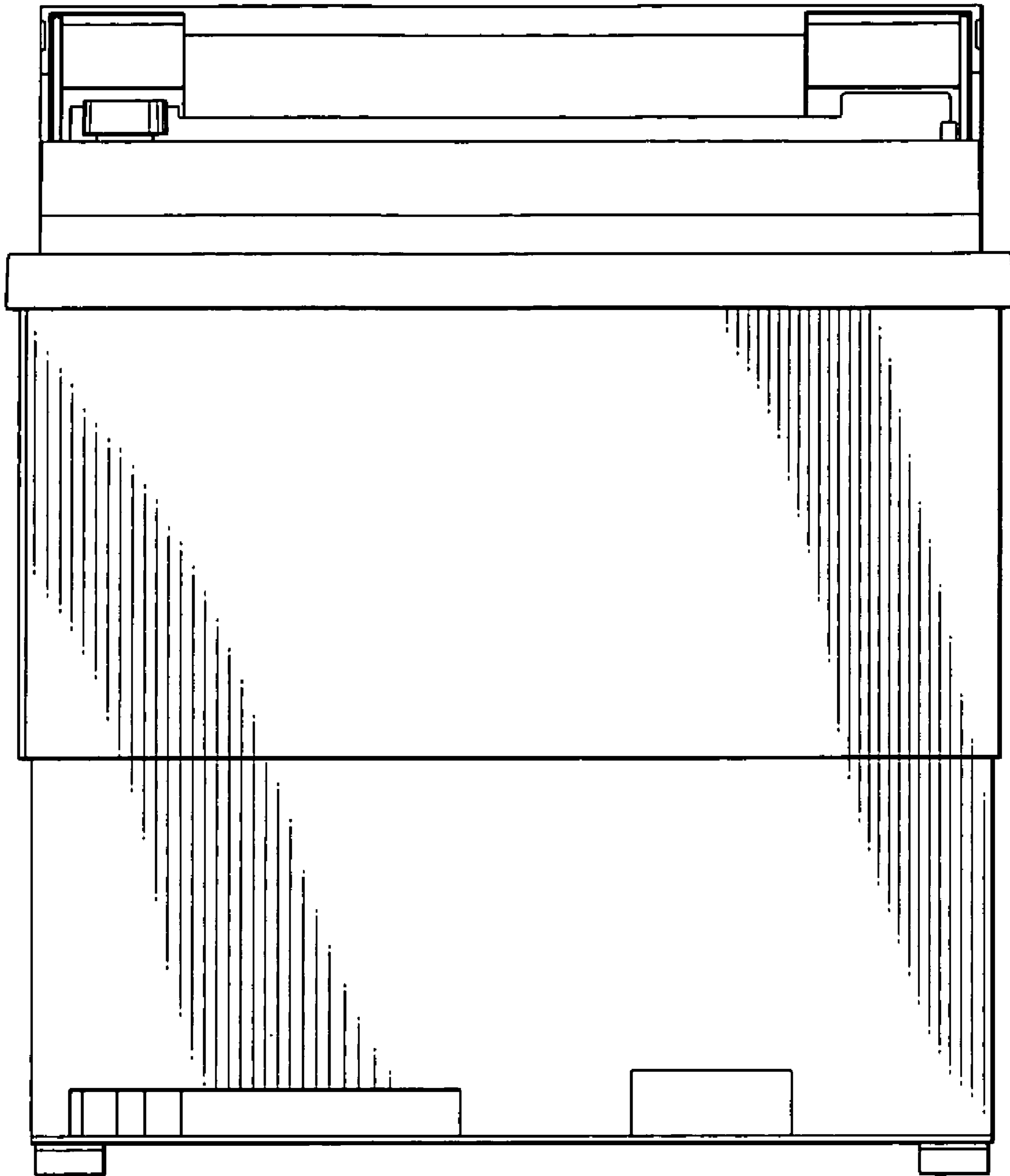


FIG. 8