



US00D623621S

(12) **United States Design Patent**
Roed et al.

(10) **Patent No.:** **US D623,621 S**
(45) **Date of Patent:** **** Sep. 14, 2010**

(54) **VIDEO CONFERENCE SYSTEM**

(75) Inventors: **Maren Anne Roed**, Eiksmarka (NO);
Stig Myler, Fredensborg (DK);
Friederike Faller, Frederiksberg (DK);
Torkel Steffen Mellingen, Oslo (NO)

(73) Assignee: **Tandberg Telecom AS**, Lysaker (NO)

(**) Term: **14 Years**

(21) Appl. No.: **29/353,287**

(22) Filed: **Jan. 6, 2010**

Related U.S. Application Data

(62) Division of application No. 29/329,025, filed on Dec. 8, 2008, now Pat. No. Des. 616,404.

(30) **Foreign Application Priority Data**

Jun. 6, 2008 (NO) 20080328

(51) **LOC (9) Cl.** **14-03**

(52) **U.S. Cl.** **D14/127**

(58) **Field of Classification Search** D14/125-134,
D14/239, 371, 136, 374-377, 440, 450, 448,
D14/336, 342; 312/7.2; 348/836, 838, 180,
348/184, 325, 739; 341/12; 248/917-924,
248/465; 345/104, 133, 156, 168, 87, 173;
720/605, 669, 600, 655; 369/99, 197; D21/329,
D21/515, 577, 622, 333, 433, 448, 452, 450,
D21/331; D6/477, 479, 300; 273/148 B;
446/484, 175, 356; D10/15, 26
See application file for complete search history.

(56) **References Cited**

U.S. PATENT DOCUMENTS

D340,229 S * 10/1993 Drabczyk et al. D14/306

D346,605 S * 5/1994 Bosson D14/239
D440,543 S * 4/2001 Kodimer D14/127
D581,380 S * 11/2008 Derocher et al. D14/127
D583,781 S * 12/2008 Derocher et al. D14/129
D585,857 S * 2/2009 Monson et al. D14/127
D593,977 S * 6/2009 Derocher et al. D14/127

OTHER PUBLICATIONS

U.S. Appl. No. 29/313,109, filed Dec. 8, 2008, Roed, et al.
U.S. Appl. No. 29/353,287, filed Jan. 6, 2010, Roed, et al.

* cited by examiner

Primary Examiner—Raphael Barkai
(74) *Attorney, Agent, or Firm*—Oblon, Spivak, McClelland,
Maier & Neustadt, L.L.P.

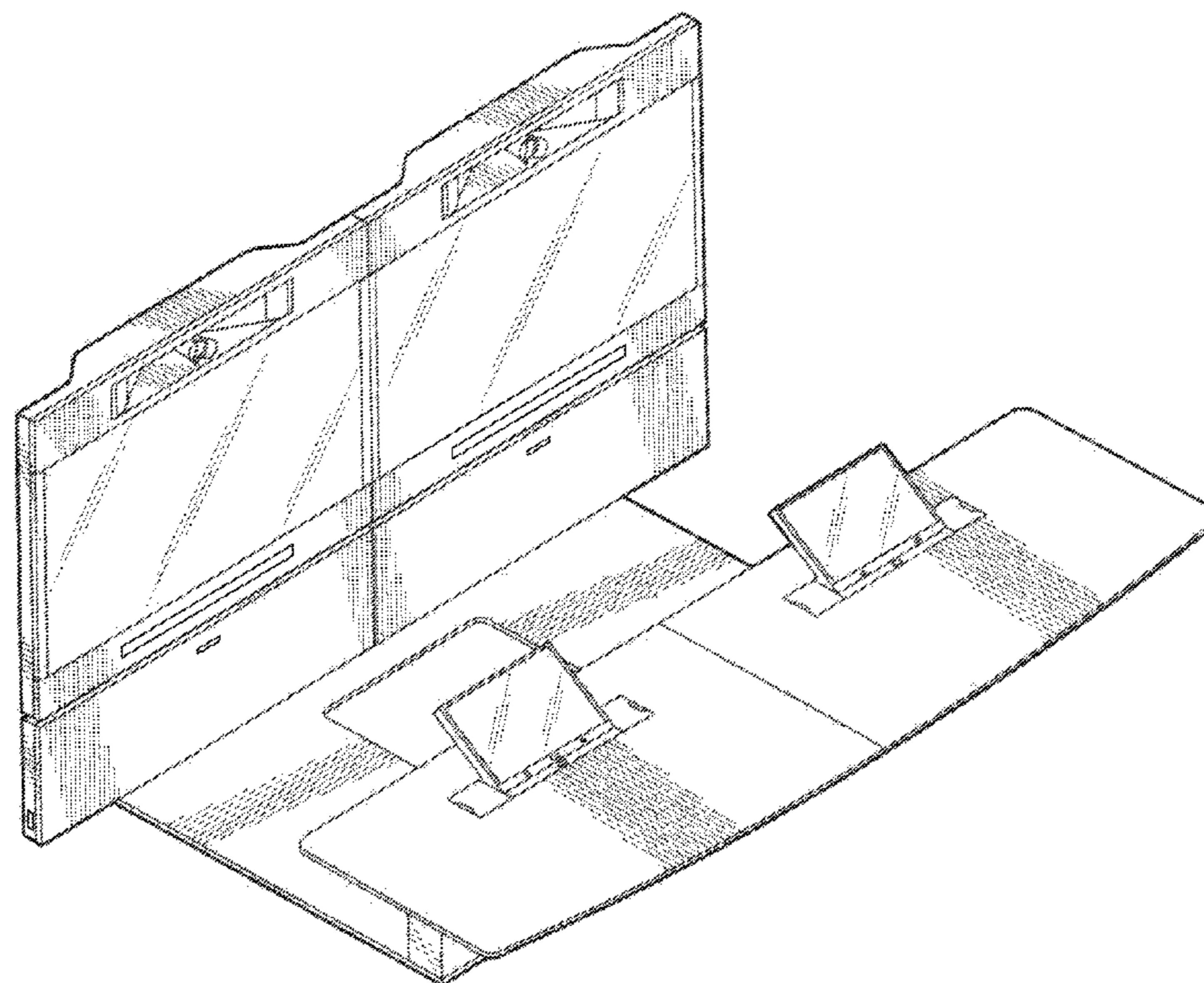
(57) **CLAIM**

The ornamental design for a video conference system, as shown and described.

DESCRIPTION

FIG. 1 is a top and left elevational view of a video conference system;
FIG. 2 is a bottom and left elevational view thereof;
FIG. 3 is a front elevational view thereof;
FIG. 4 is a rear elevational view thereof;
FIG. 5 is a bottom plan view thereof;
FIG. 6 is a top plan view thereof;
FIG. 7 is a left side elevational view thereof;
FIG. 8 is a right side elevational view thereof; and,
FIG. 9 is a right side elevational view of a display device shown in the preceding views.

1 Claim, 9 Drawing Sheets



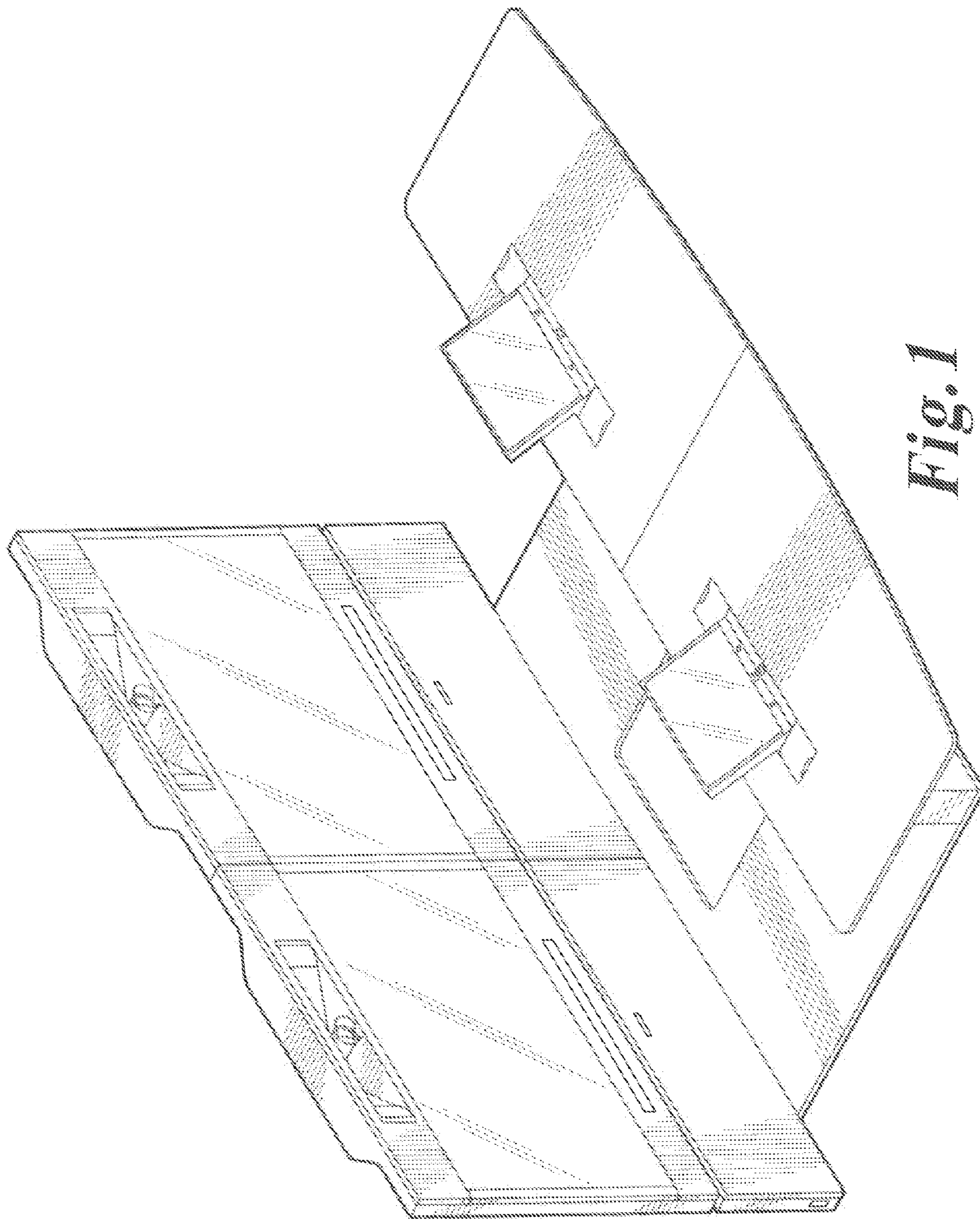


Fig. 1

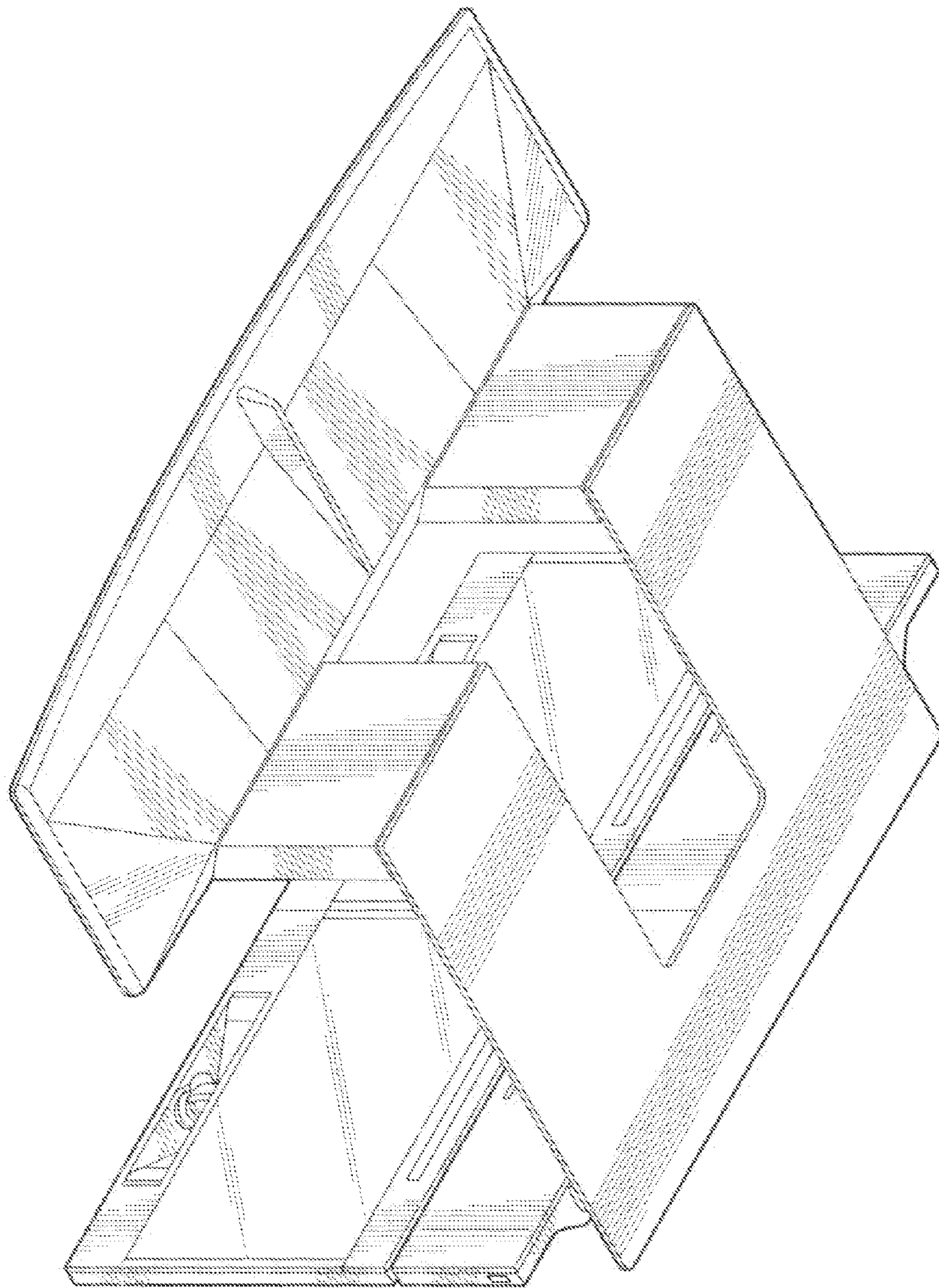


Fig. 2

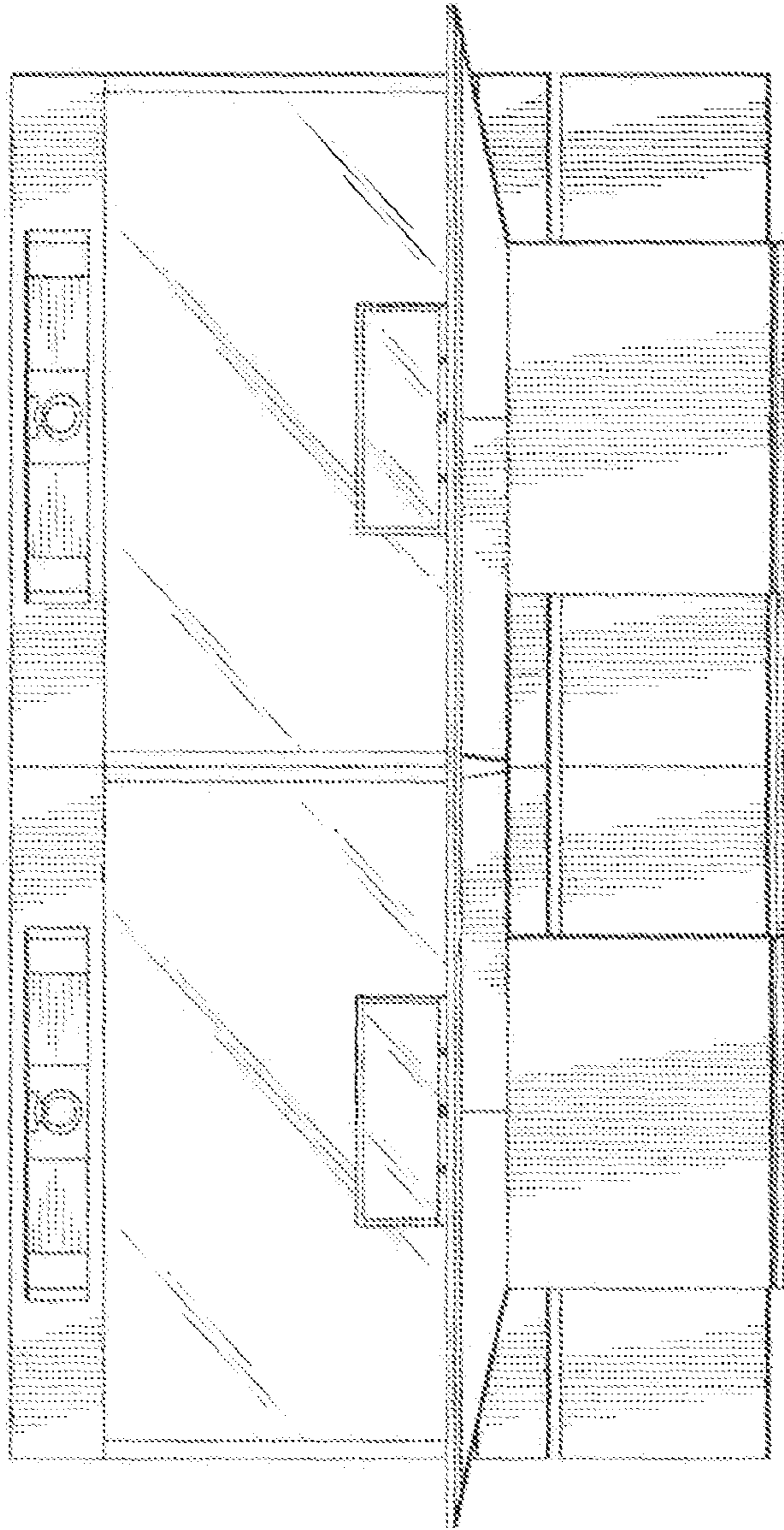


Fig. 3

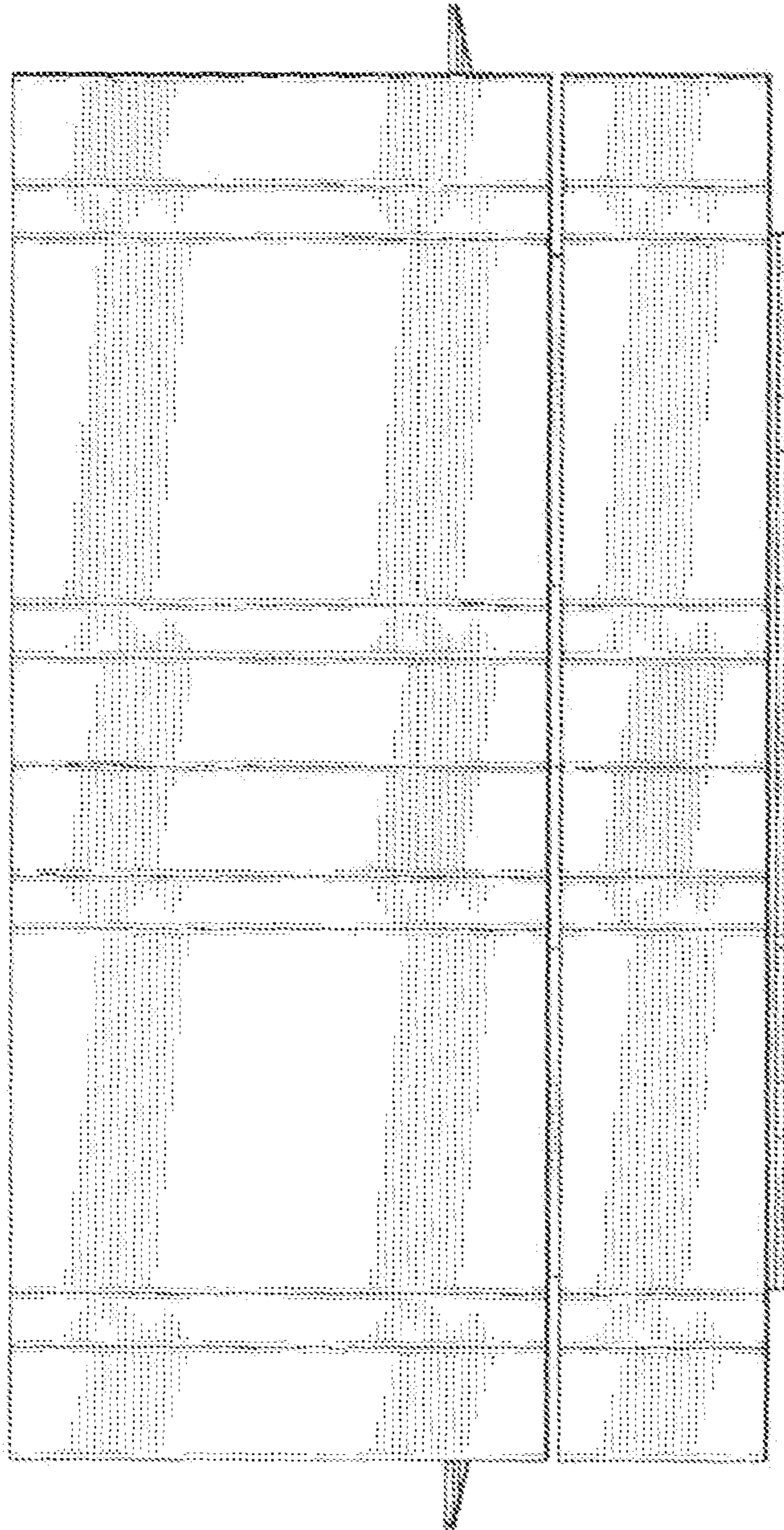


Fig. 4

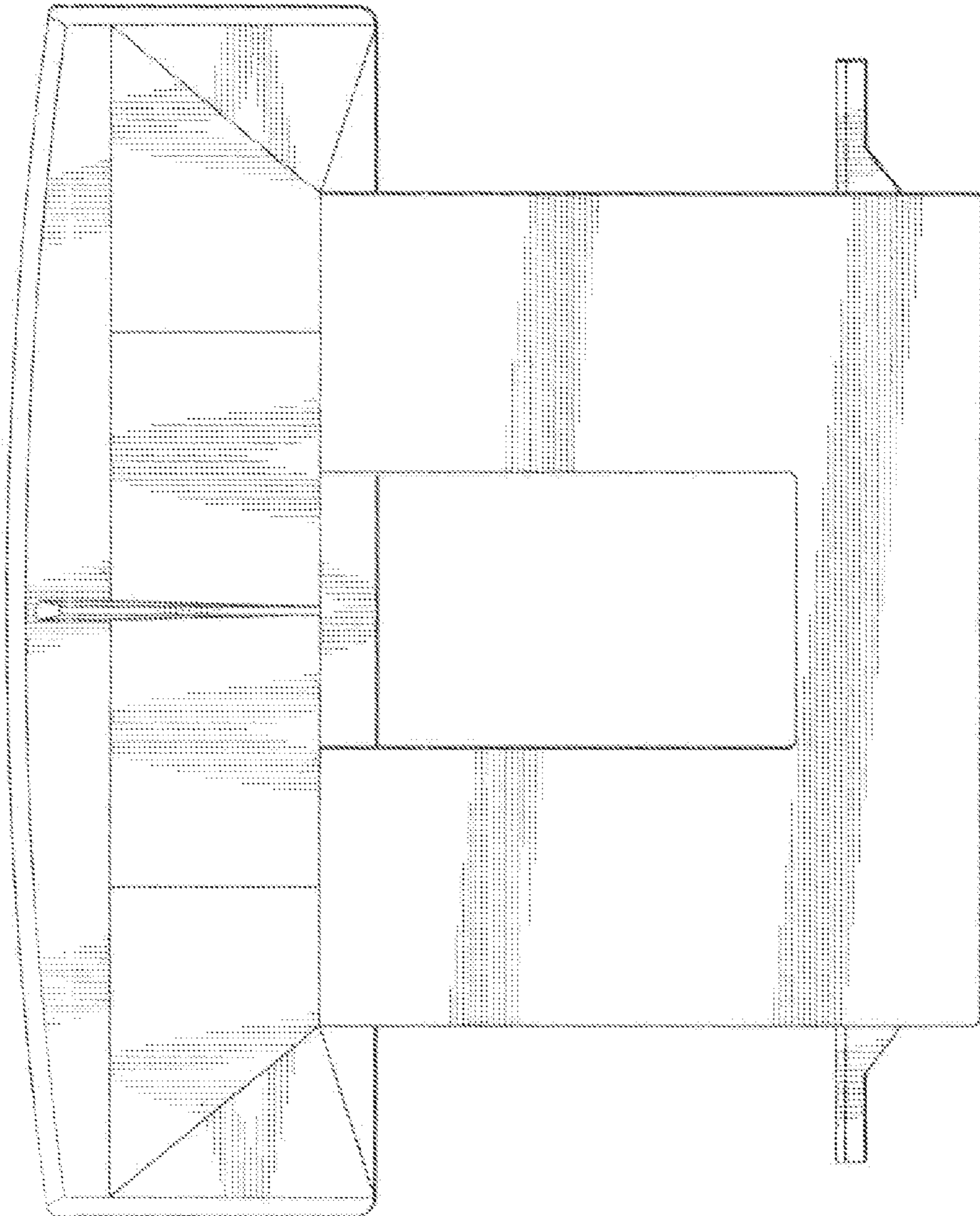


Fig. 5

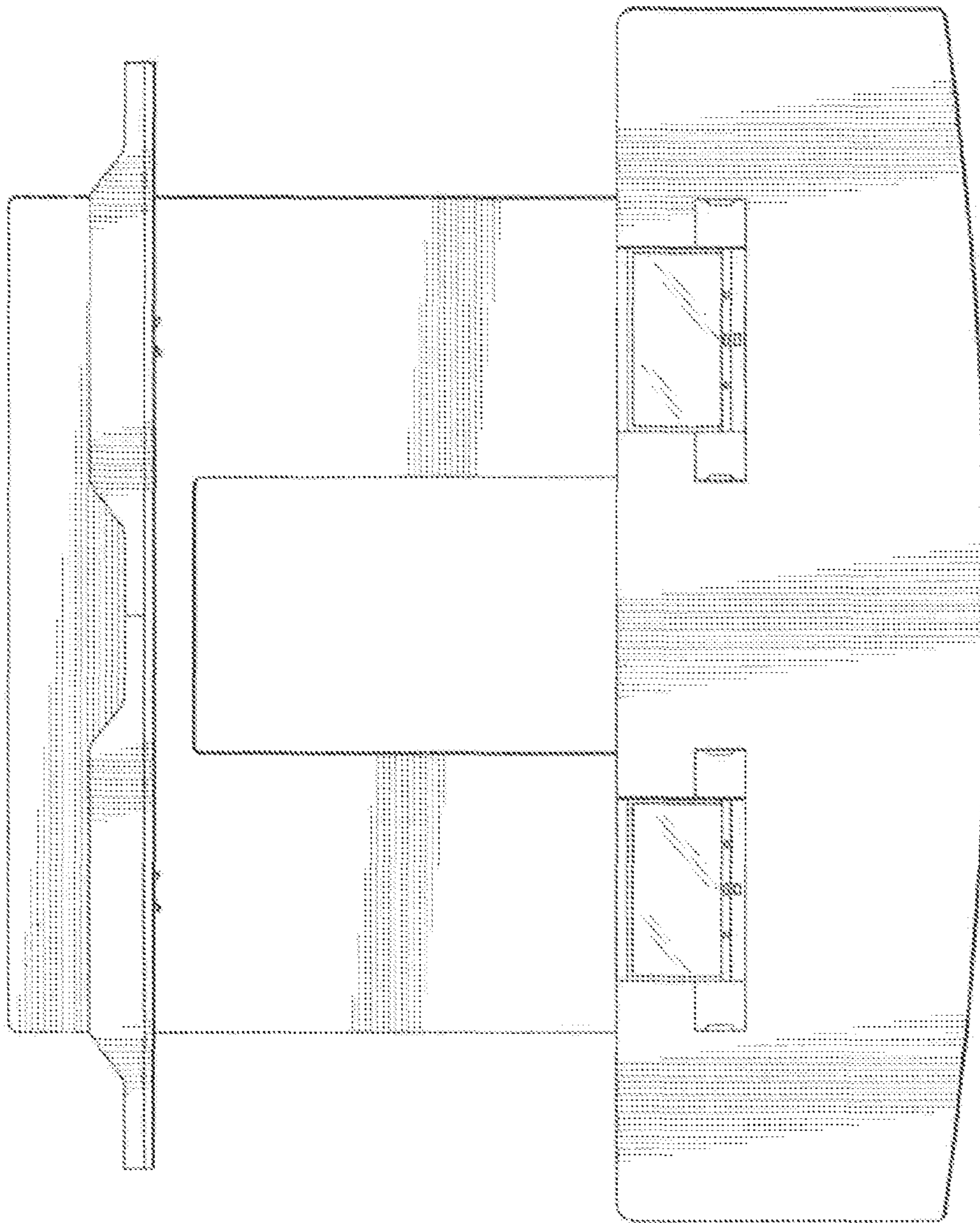


Fig. 6

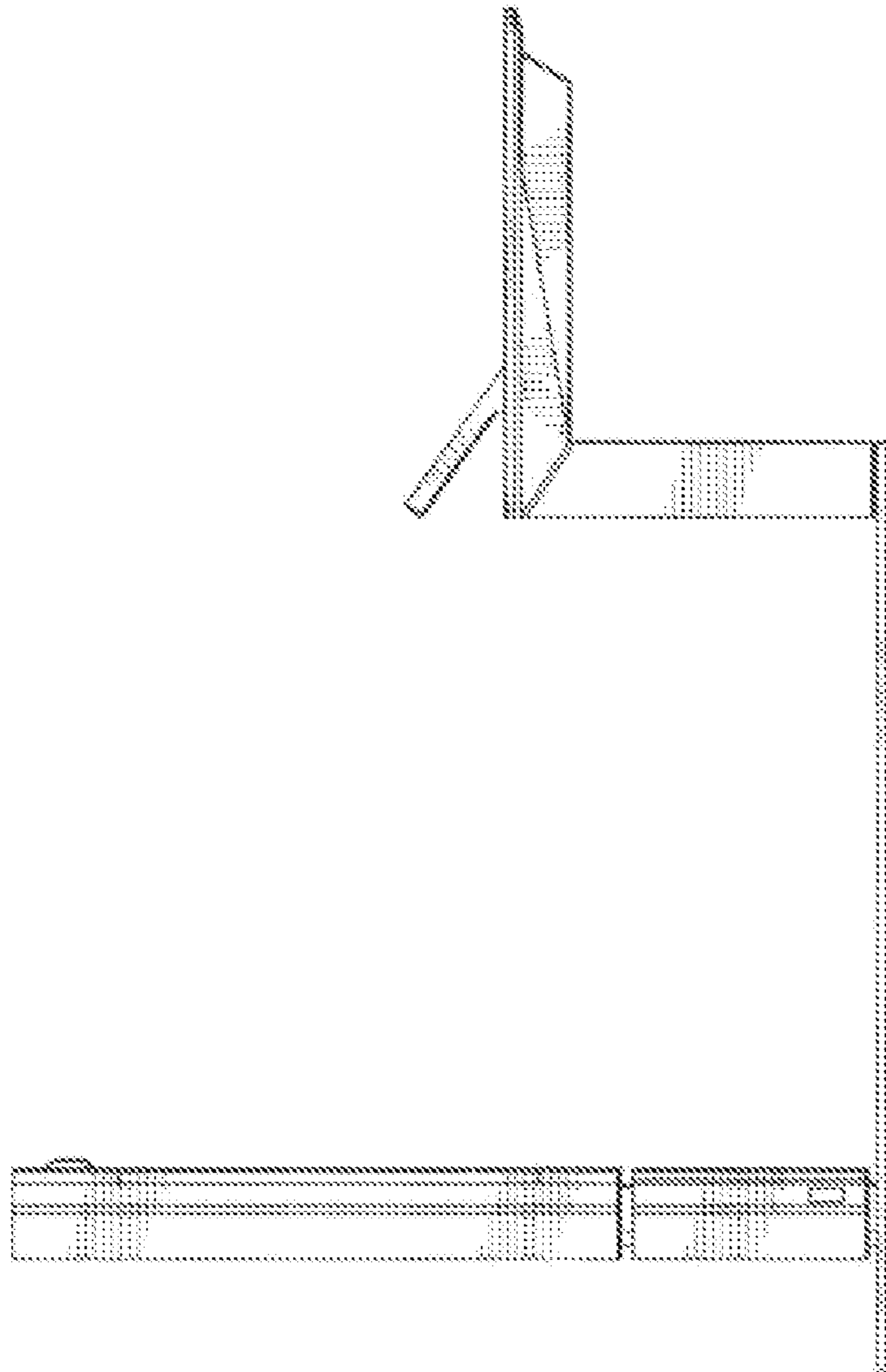


Fig. 7

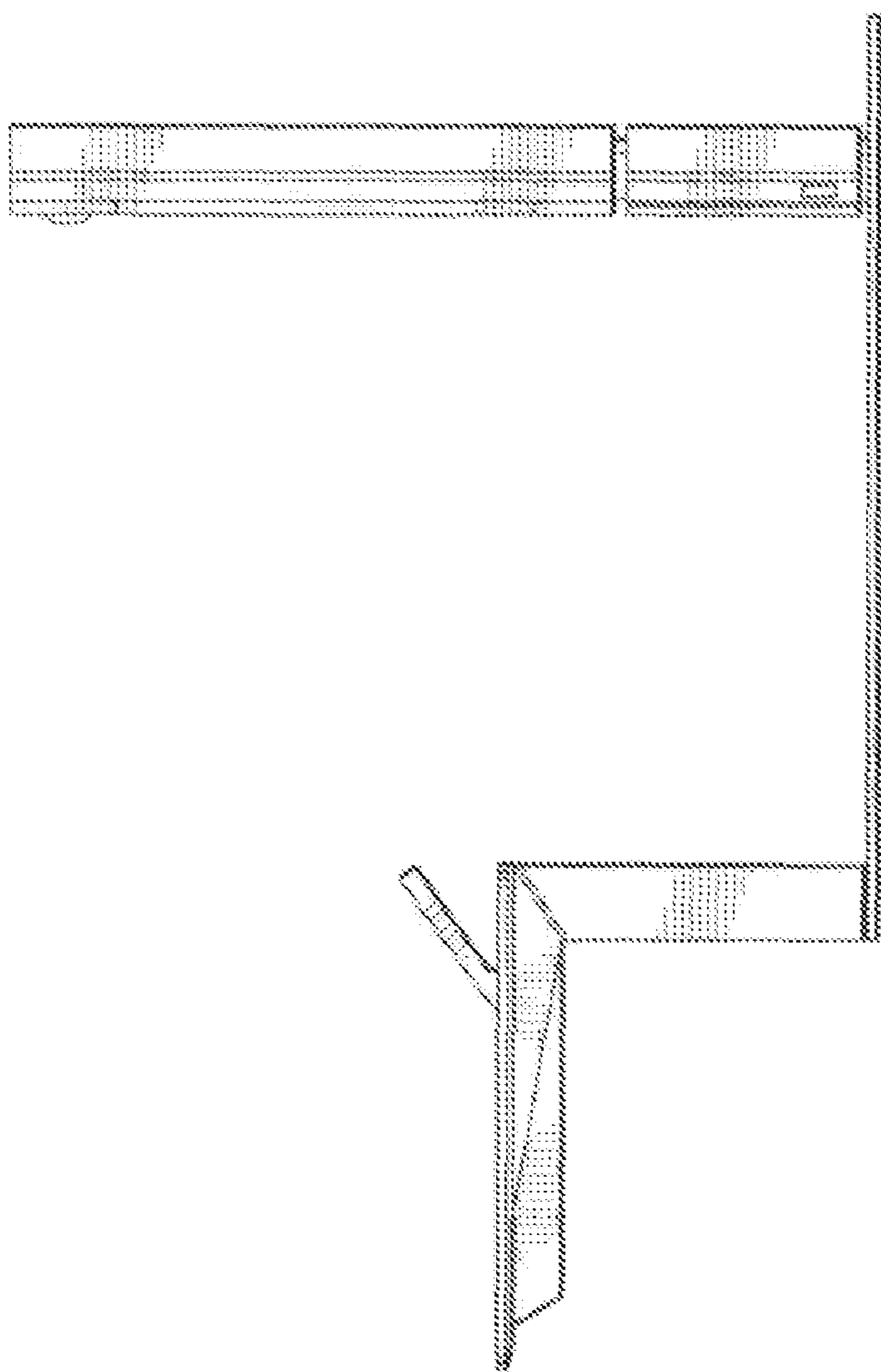


Fig. 8

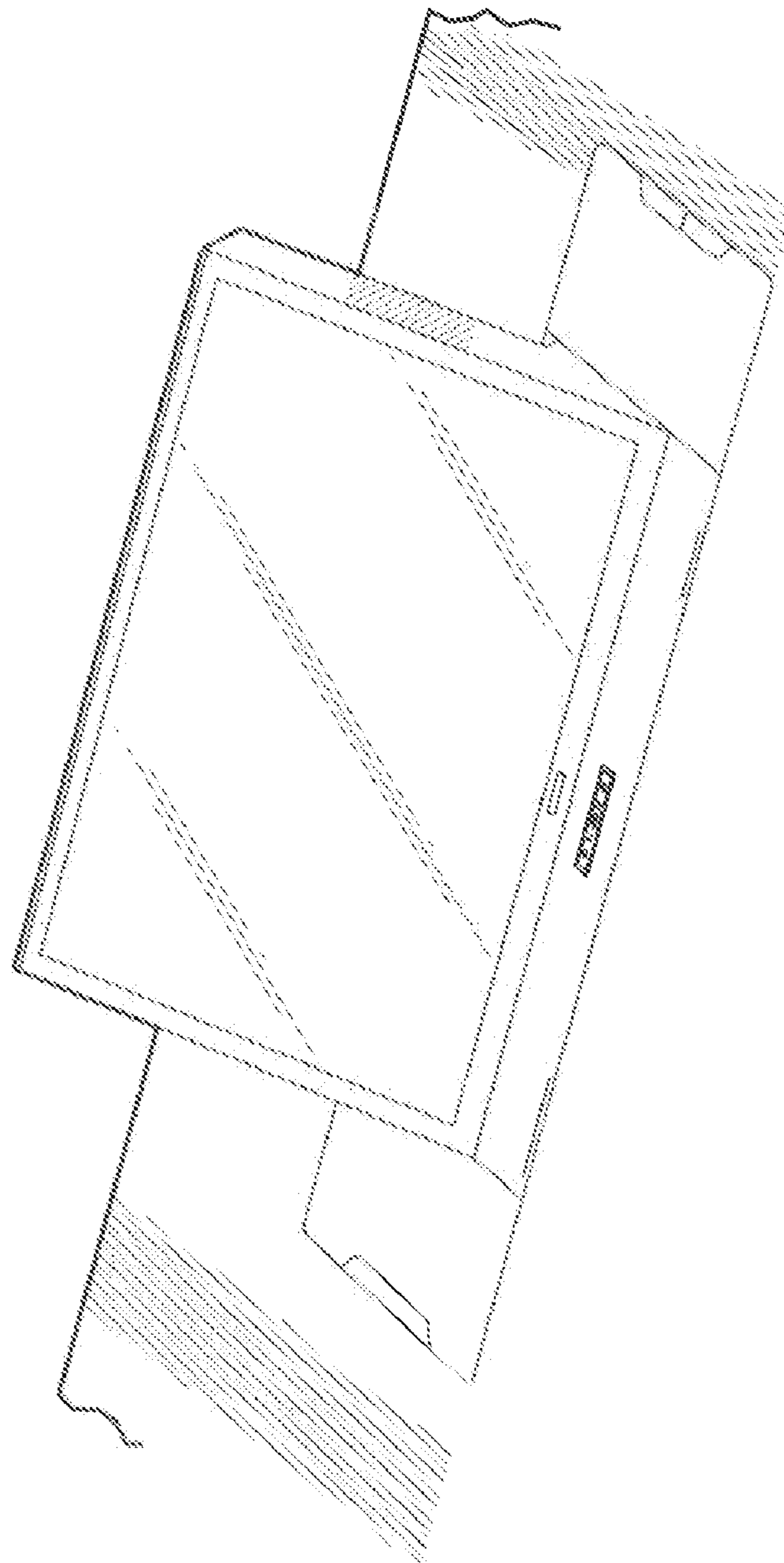


Fig. 9