



US00D623617S

(12) **United States Design Patent**
Lee

(10) **Patent No.:** **US D623,617 S**
(45) **Date of Patent:** **** Sep. 14, 2010**

(54) **ELECTRONIC DISPLAY**

D605,149 S * 12/2009 Kim et al. D14/126

(75) Inventor: **Johann Lee**, Whitestone, NY (US)

* cited by examiner

(73) Assignee: **Coby Electronics Corporation**, Lake Success, NY (US)

Primary Examiner—Raphael Barkai
(74) *Attorney, Agent, or Firm*—Mayer Brown LLP

(**) Term: **14 Years**

(57) **CLAIM**

(21) Appl. No.: **29/352,983**

The ornamental design for an electronic display, as shown and described.

(22) Filed: **Dec. 30, 2009**

DESCRIPTION

(51) **LOC (9) Cl.** **14-03**

(52) **U.S. Cl.** **D14/126**

(58) **Field of Classification Search** D14/125–134,
D14/239, 371, 136, 374–377, 440, 450, 448,
D14/336, 342; 312/7.2; 348/836, 838, 180,
348/184, 325, 739; 341/12; 248/917–924,
248/465; 345/104, 133, 156, 168, 87, 173;
720/605, 669, 600, 655; 369/99, 197; 455/344,
455/347; D21/329, 515, 577, 622, 333, 433,
D21/448, 452, 450, 331; D6/477, 479, 300;
273/148 B; 446/484, 175, 326; D10/15,
D10/26

A portion of the disclosure of this patent document contains material to which a claim for copyright is made. The copyright owner has no objection to the facsimile reproduction by anyone of the patent document or the patent disclosure, as it appears in the Patent and Trademark Office patent file or records, but reserves all other copyright rights whatsoever.

FIG. 1 is a top front perspective view of an electronic display showing my new design;

FIG. 2 is a front view thereof;

FIG. 3 is a right side view thereof;

FIG. 4 is a rear view thereof;

FIG. 5 is a left side view thereof;

FIG. 6 is a top view thereof; and,

FIG. 7 is a bottom view thereof.

The broken lines and shading lines throughout the figures are for illustrative purposes or to show contour only and form no part of the claimed design.

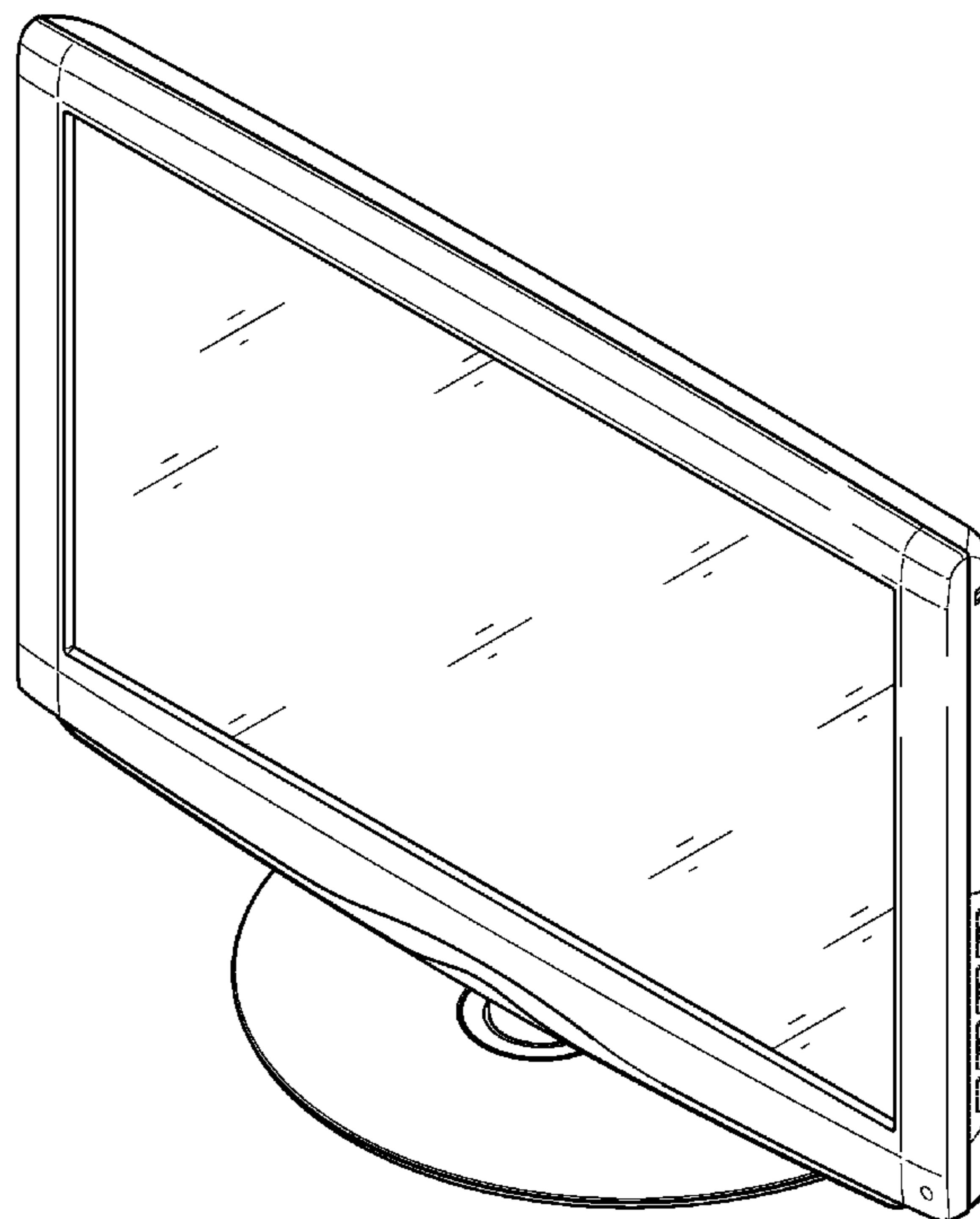
See application file for complete search history.

(56) **References Cited**

U.S. PATENT DOCUMENTS

- D576,976 S * 9/2008 Rieu Piquet D14/126
- D579,889 S * 11/2008 Noh D14/129
- D585,856 S * 2/2009 Fujimoto D14/126
- D593,974 S * 6/2009 Yang et al. D14/126
- D597,978 S * 8/2009 Won et al. D14/126

1 Claim, 5 Drawing Sheets



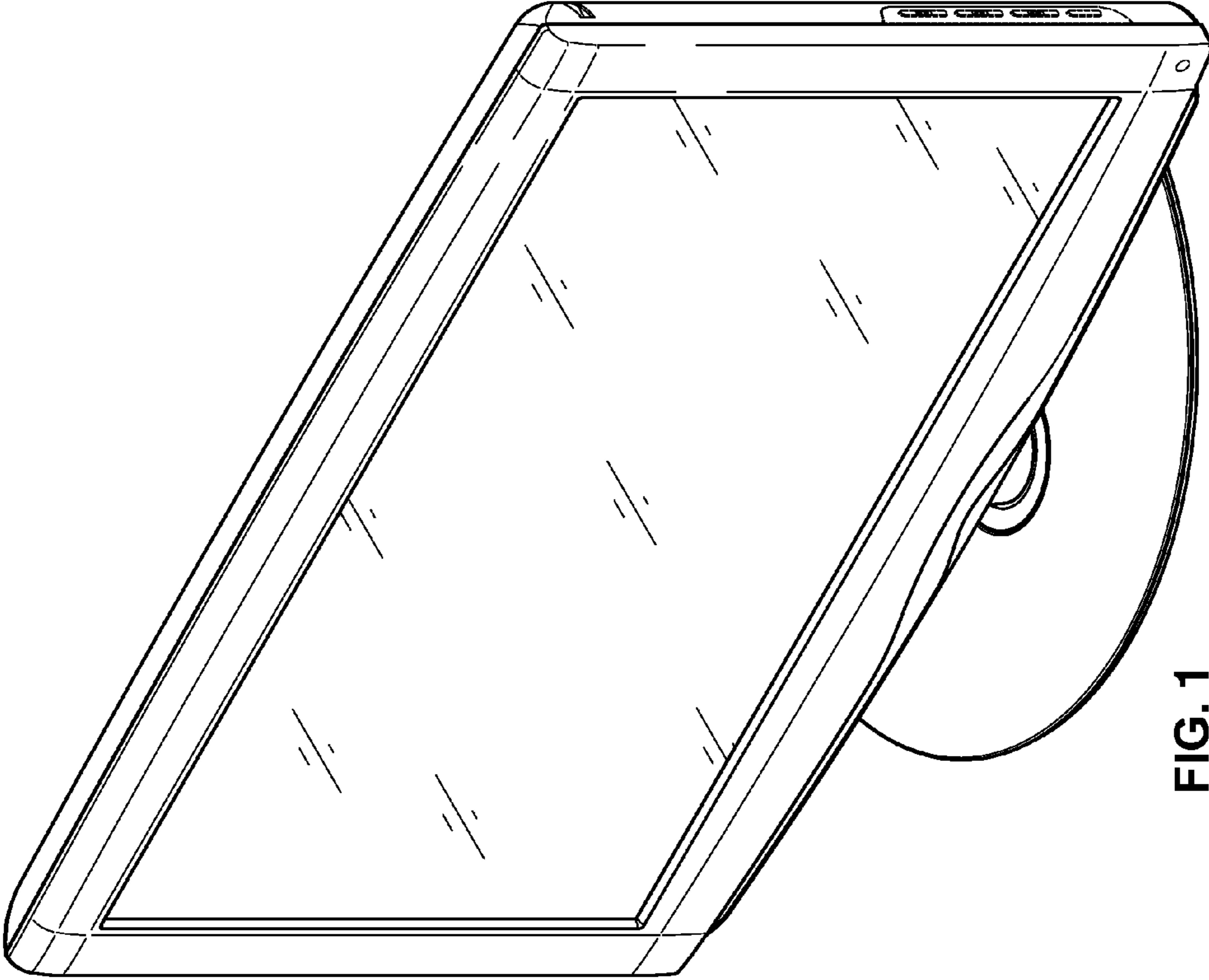


FIG. 1

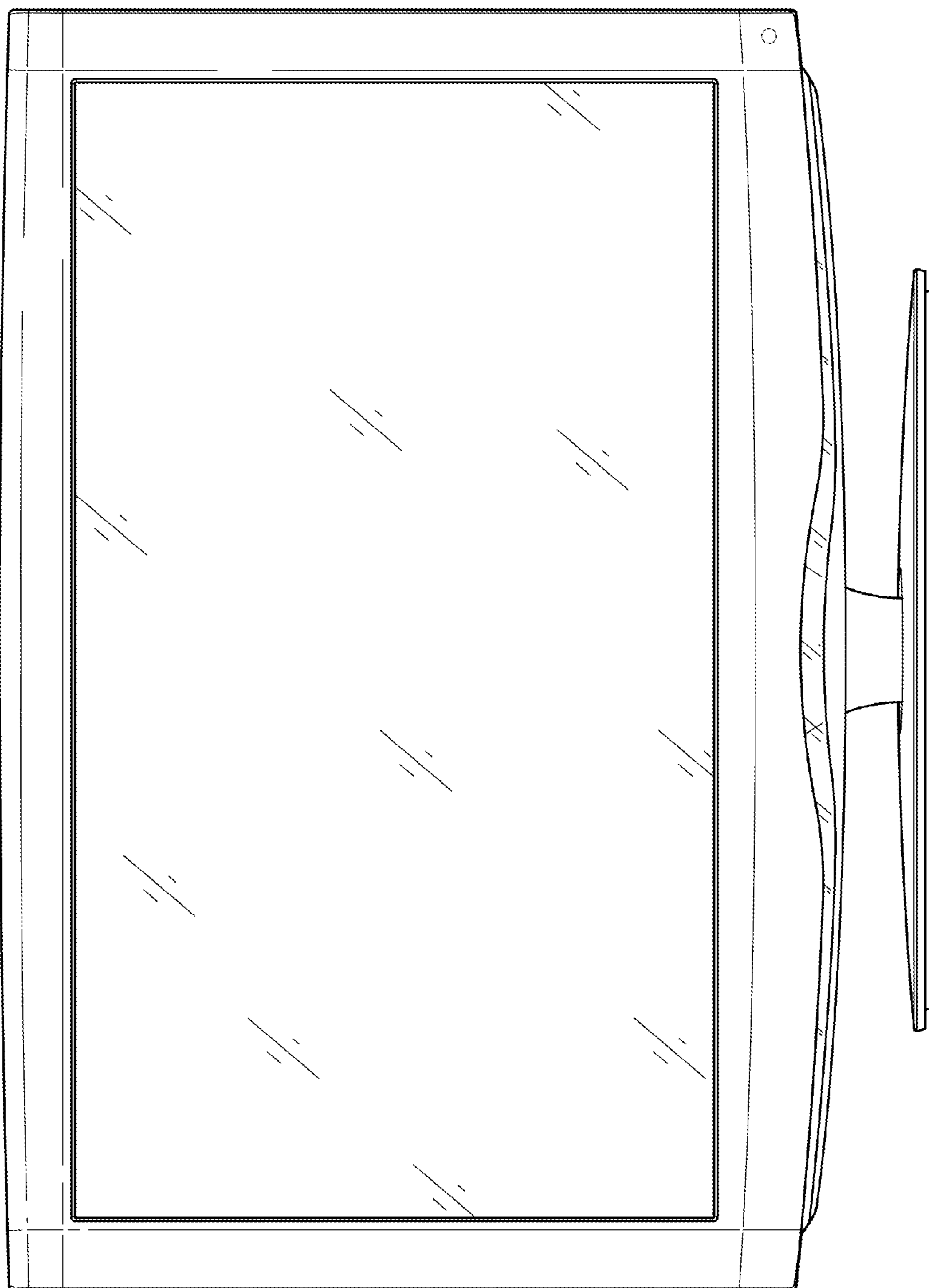


FIG. 2

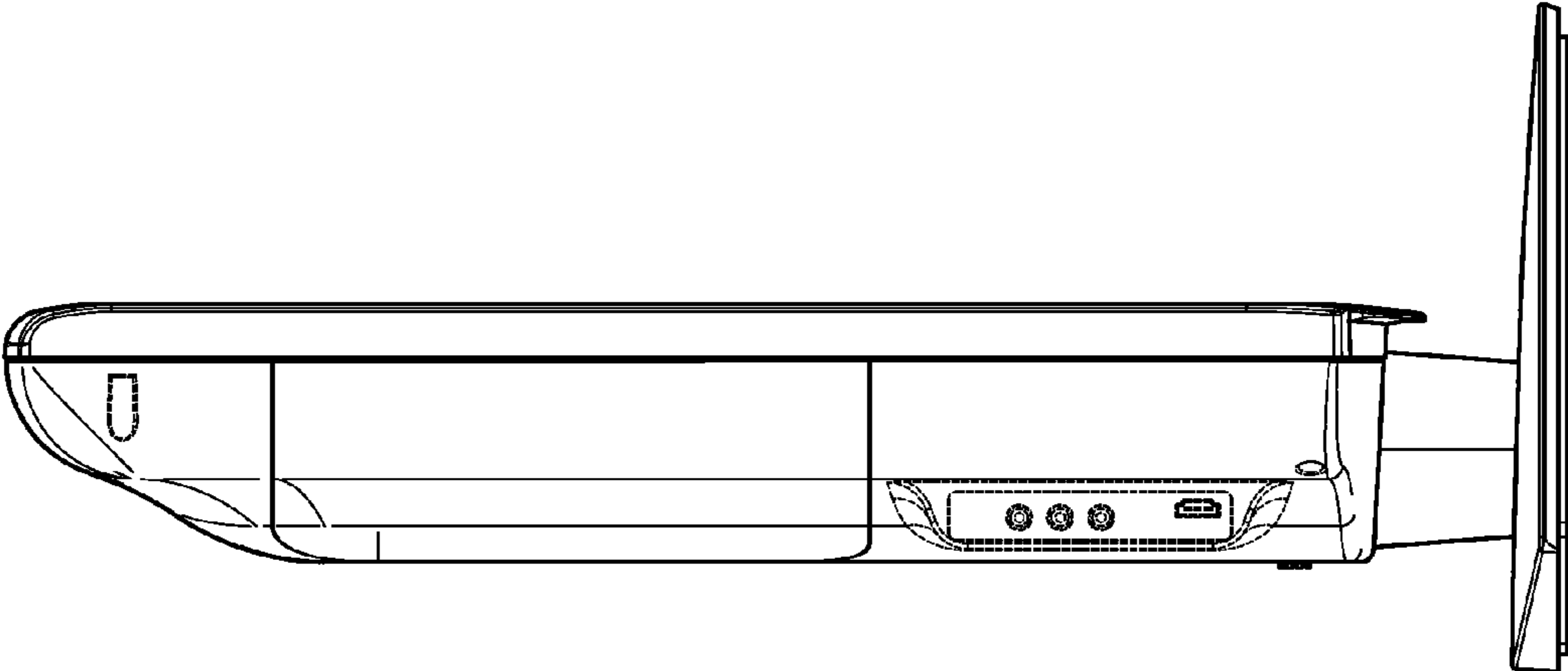


FIG. 5

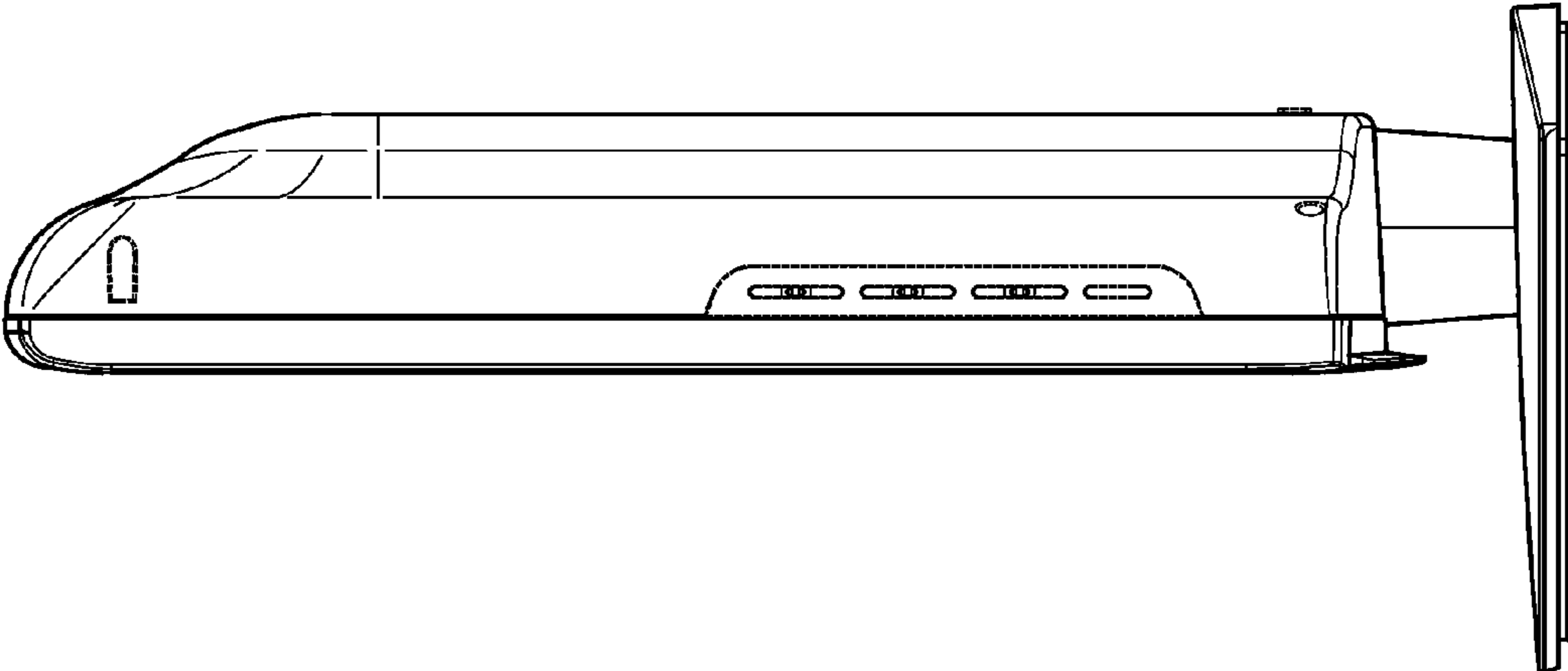


FIG. 3

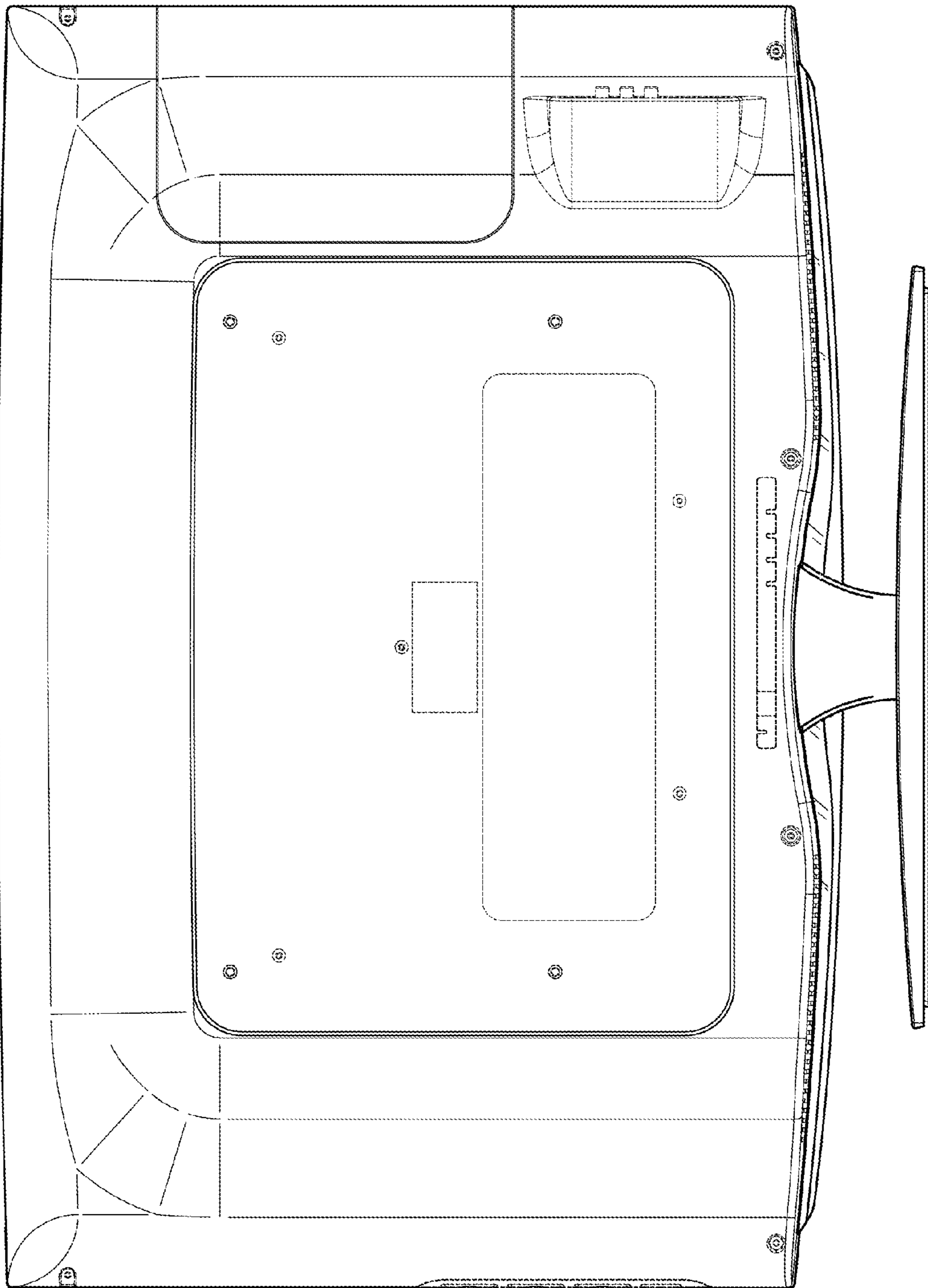


FIG. 4

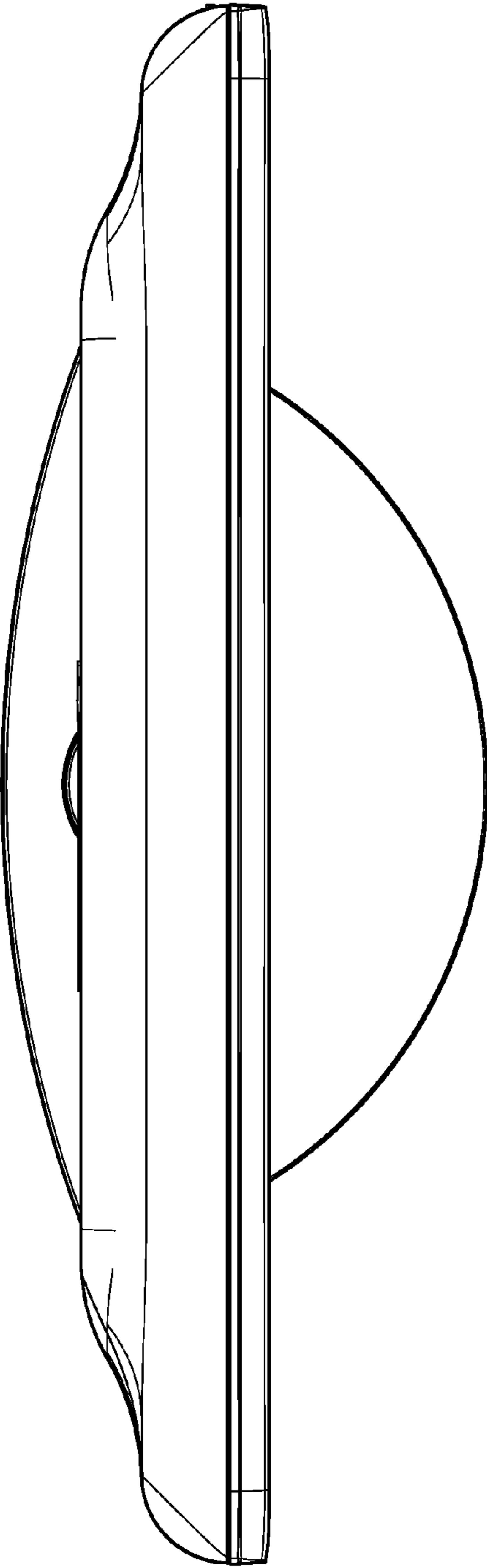


FIG. 6

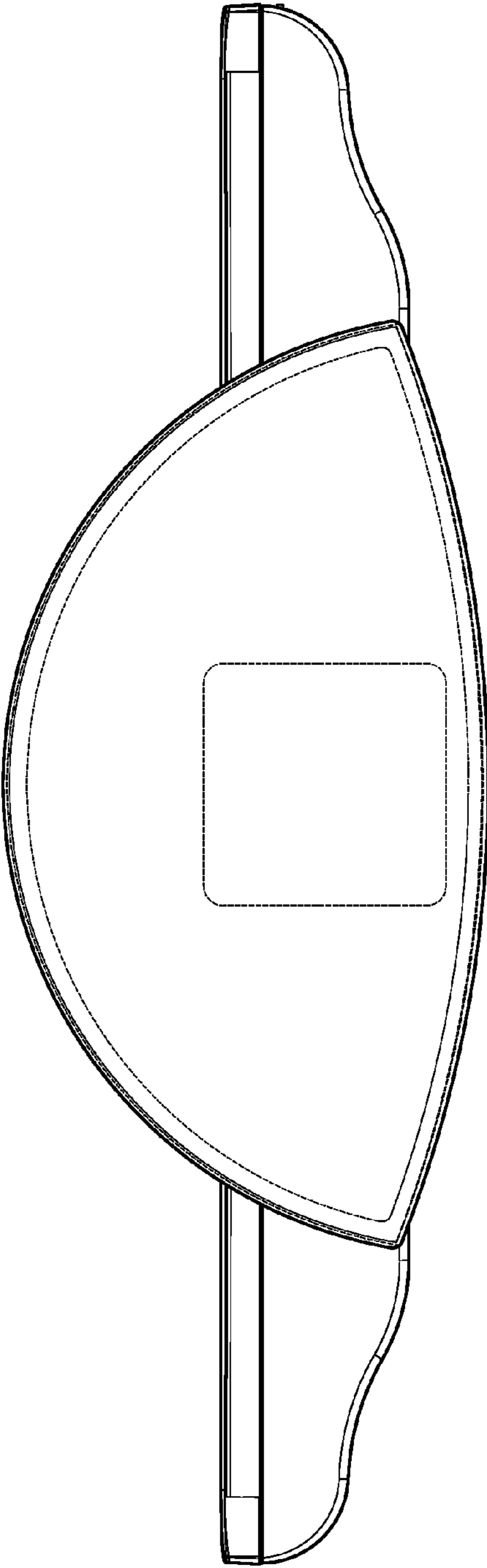


FIG. 7