



US00D623616S

(12) **United States Design Patent**
Cho et al.

(10) **Patent No.:** **US D623,616 S**
(45) **Date of Patent:** **** Sep. 14, 2010**

(54) **MONITOR**

(75) Inventors: **Sungil Cho**, Seoul (KR); **Changho Park**, Seoul (KR)

(73) Assignee: **Postium Korea Co. Ltd.**, Seoul (KR)

(**) Term: **14 Years**

(21) Appl. No.: **29/343,424**

(22) Filed: **Sep. 11, 2009**

(51) **LOC (9) Cl.** **14-03**

(52) **U.S. Cl.** **D14/126**

(58) **Field of Classification Search** D14/125-134,
D14/239, 371, 136, 374-377, 440, 450, 448,
D14/336, 342; 312/7.2; 348/836, 838, 180,
348/184, 325, 739; 341/12; 248/917-924,
248/465; 345/104, 133, 156, 168, 87, 173;
720/605, 669, 600, 655; 369/99, 197; 455/344,
455/347; D21/329, 515, 577, 622, 333, 433,
D21/448, 452, 450, 331; D6/477, 479, 300;
273/148 B; 446/484, 175, 356; D10/15,
D10/26

See application file for complete search history.

(56) **References Cited**

U.S. PATENT DOCUMENTS

D297,236 S *	8/1988	Tiffin	D14/127
D415,744 S *	10/1999	Carter et al.	D14/373
D439,223 S *	3/2001	Sheckler	D14/125
D469,746 S *	2/2003	Soule, Jr.	D14/127
D563,917 S *	3/2008	Kobayashi et al.	D14/127
D589,479 S *	3/2009	Pozin et al.	D14/127
D593,047 S *	5/2009	Pozin et al.	D14/127
D593,978 S *	6/2009	Pozin et al.	D14/127
2006/0172787 A1 *	8/2006	Ellis et al.	463/1

OTHER PUBLICATIONS

Marshall Electronics. Marshall 5" LCD rack monitor. Image of monitor shown on webpage. URL:<http://www.lcdracks.com/racks/vr53psdi.html>. Display date: believed to have published before the filing date of this application. Retrieval date: Feb. 24, 2010.

Wohler Technologies. Wohler 5.7" rack monitor. Image of monitor shown on webpage. URL:<http://www.wohler.com/Details.aspx?ItemNumber=RM-3357-HD>. Display date: believed to have published before the filing date of this application. Retrieval date: Feb. 24, 2010.

RackmountMart.com. Synergy Global Technology Inc. Image of monitor shown on webpage. URL:<http://www.rackmountmart.com/rmLCD/lcdr3U5-01.html>. Display date: believed to have published before the filing date of this application. Retrieval date: Feb. 24, 2010.

* cited by examiner

Primary Examiner—Raphael Barkai

(74) *Attorney, Agent, or Firm*—Knobbe Martens Olson & Bear LLP

(57) **CLAIM**

The ornamental design for a monitor, as shown and described.

DESCRIPTION

FIG. 1 is a perspective view of a monitor showing my new design in accordance with the invention;

FIG. 2 is a front elevational view thereof;

FIG. 3 is a rear elevational view thereof;

FIG. 4 is a top plan view thereof;

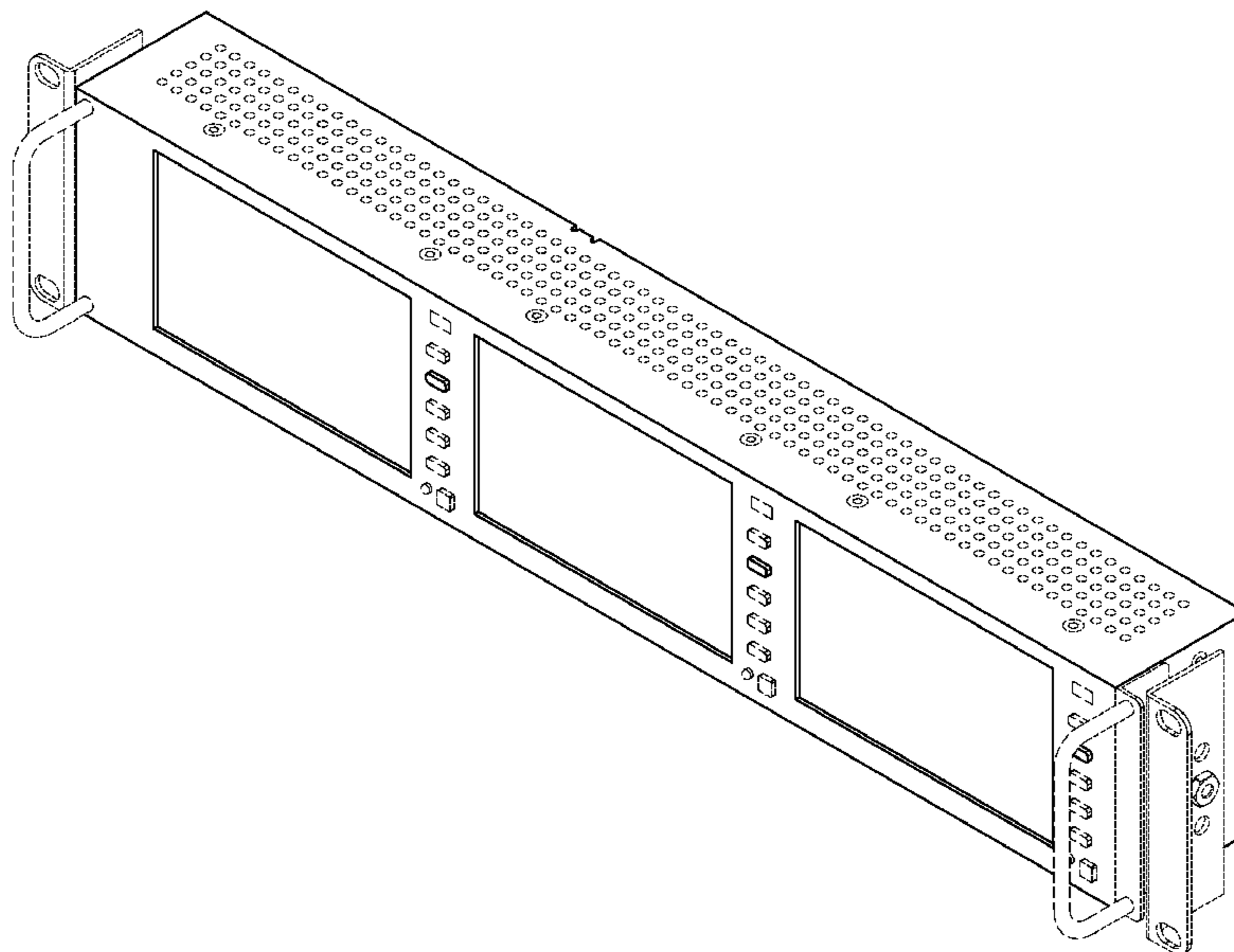
FIG. 5 is a bottom plan view thereof;

FIG. 6 is a left side elevational view thereof; and,

FIG. 7 is a right side elevational view thereof.

The broken lines shown in the drawings form no part of the claimed design.

1 Claim, 6 Drawing Sheets



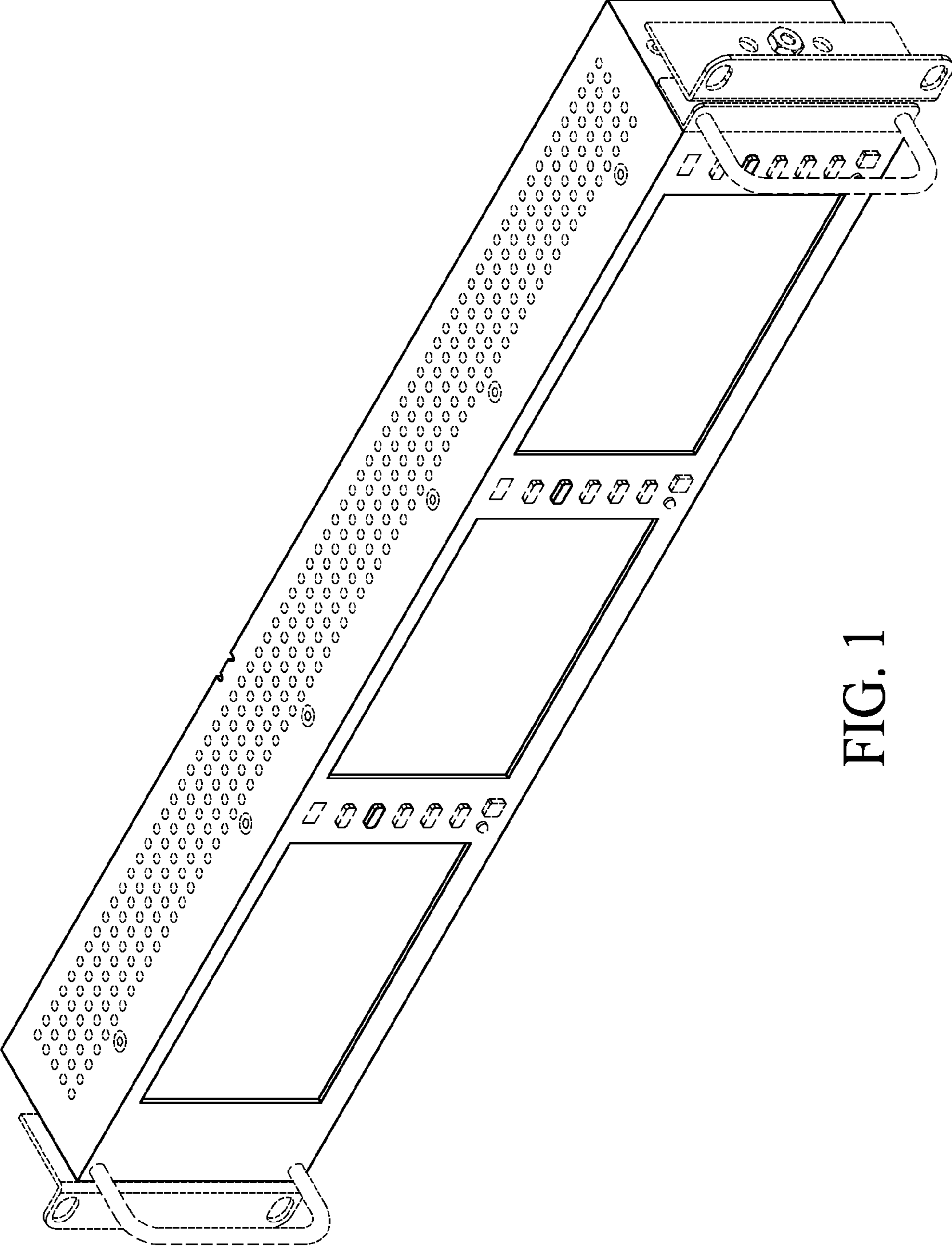


FIG. 1

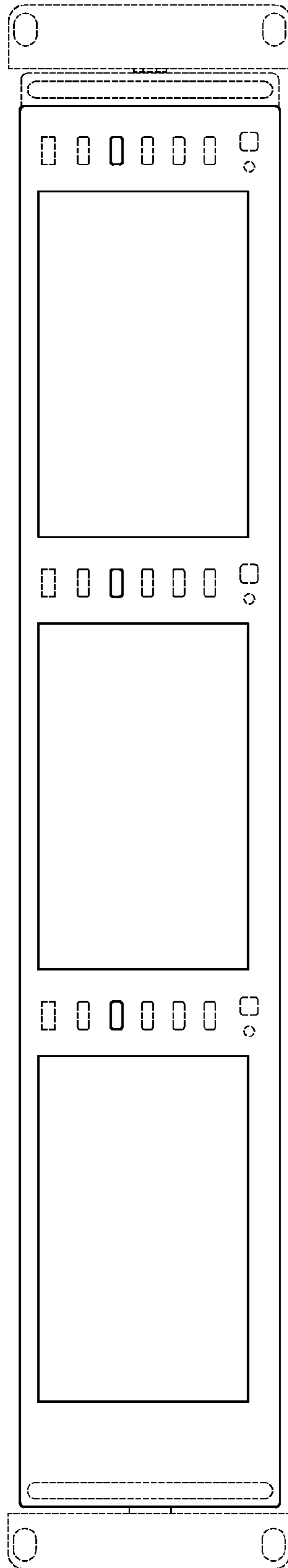


FIG. 2

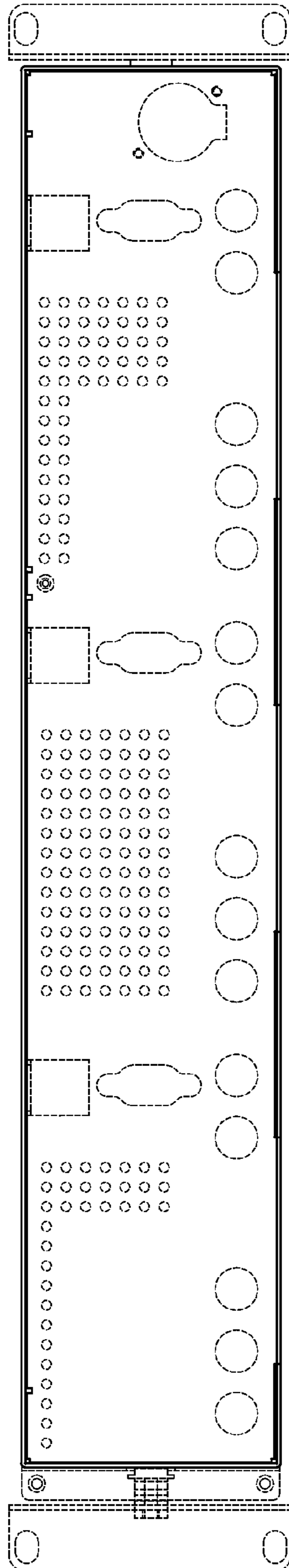


FIG. 3

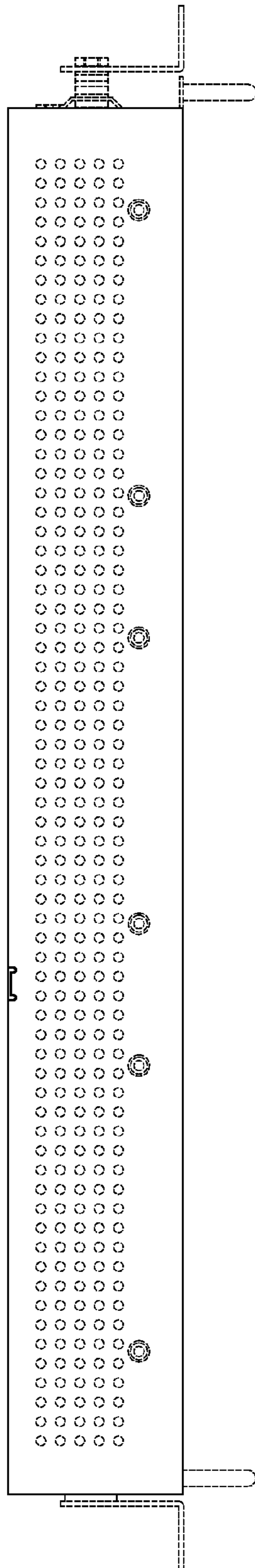


FIG. 4

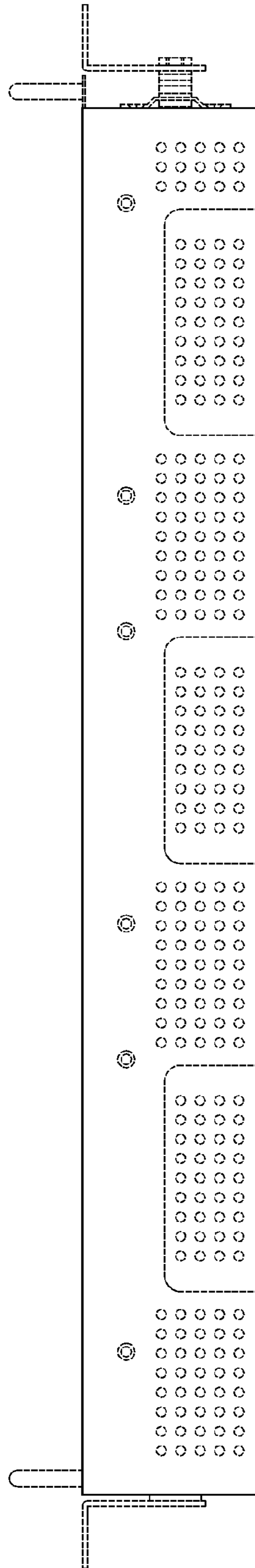


FIG. 5

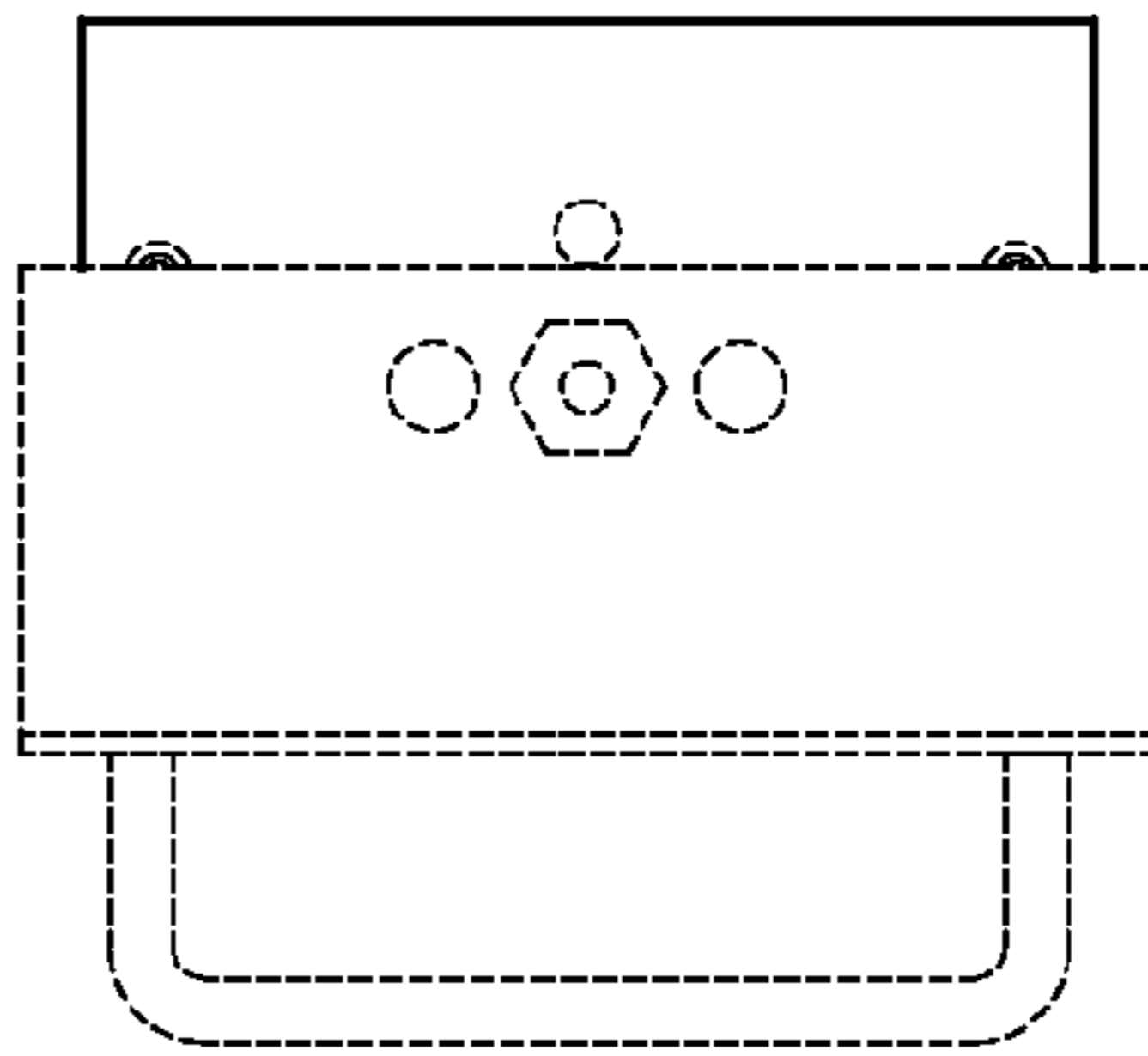


FIG. 6

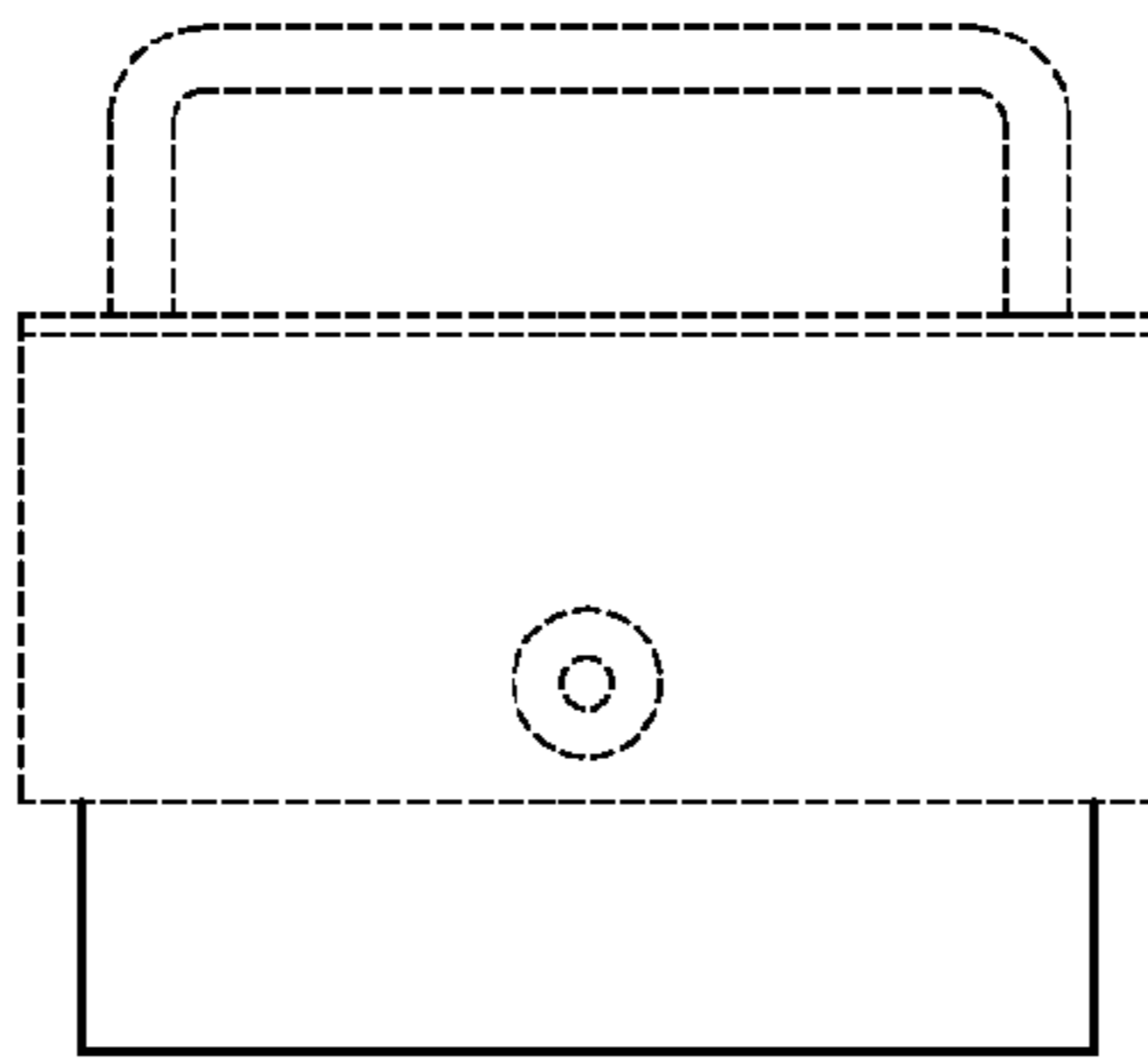


FIG. 7