



US00D623612S

(12) **United States Design Patent**  
**Lee**

(10) **Patent No.:** **US D623,612 S**

(45) **Date of Patent:** **\*\* Sep. 14, 2010**

(54) **AV RECEIVER**

(75) **Inventor:** **Wai Chung David Lee, Kowloon (HK)**

(73) **Assignee:** **Koninklijke Philips Electronics N.V., Eindhoven (NL)**

(\*\*) **Term:** **14 Years**

(21) **Appl. No.:** **29/345,252**

(22) **Filed:** **Oct. 13, 2009**

(51) **LOC (9) Cl.** ..... **14-03**

(52) **U.S. Cl.** ..... **D14/125**

(58) **Field of Classification Search** ..... D14/125-136,  
D14/239, 371, 374-377, 156, 157, 168, 197,  
D14/198, 188, 257, 258, 496; 312/7.2; 348/836,  
348/838, 180, 184, 325, 739; 341/12; 248/917-924,  
248/465, 423.11; 345/104, 133, 156, 168,  
345/87, 173, 169; 349/1, 2, 11, 62; 720/605,  
720/669, 600, 655, 99, 197, 612, 619, 647;  
455/344-351; 360/99.02, 99.07; 369/77.11

See application file for complete search history.

(56) **References Cited**

**U.S. PATENT DOCUMENTS**

D328,897 S \* 8/1992 Ito et al. .... D14/198  
D400,529 S \* 11/1998 Kakizaki ..... D14/157  
D427,989 S \* 7/2000 Ito et al. .... D14/505

D436,093 S \* 1/2001 Okada et al. .... D14/168  
D504,881 S \* 5/2005 Kangasmaa ..... D14/188  
D537,435 S \* 2/2007 Oikawa ..... D14/188  
D553,641 S \* 10/2007 Williamson et al. .... D14/496  
D568,270 S \* 5/2008 Chen ..... D14/129  
D582,362 S \* 12/2008 Hanafusa et al. .... D14/125  
D605,624 S \* 12/2009 Peng ..... D14/139  
2002/0093884 A1 \* 7/2002 Hochendoner ..... 369/30.05  
2005/0146996 A1 \* 7/2005 Roman ..... 369/30.27

\* cited by examiner

*Primary Examiner*—Raphael Barkai

*Assistant Examiner*—Randall H Gholson

(57) **CLAIM**

The ornamental design for a AV receiver, as shown.

**DESCRIPTION**

FIG. 1 is a perspective view showing my design;

FIG. 2 is a front elevational view thereof;

FIG. 3 is a rear elevational view thereof;

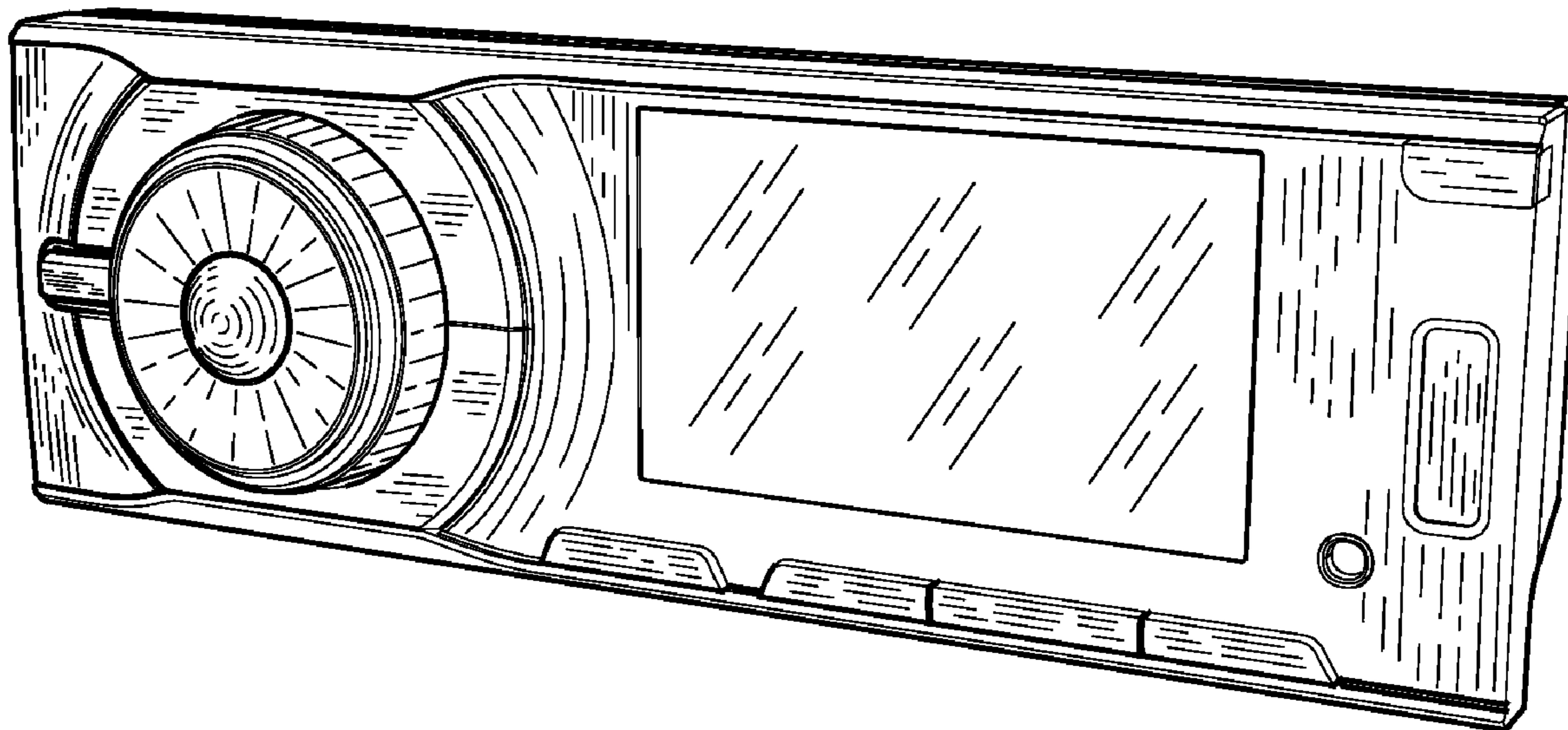
FIG. 4 is a right side elevational view thereof;

FIG. 5 is a left side elevational view thereof;

FIG. 6 is a top plan view thereof; and,

FIG. 7 is a bottom plan view thereof.

**1 Claim, 3 Drawing Sheets**



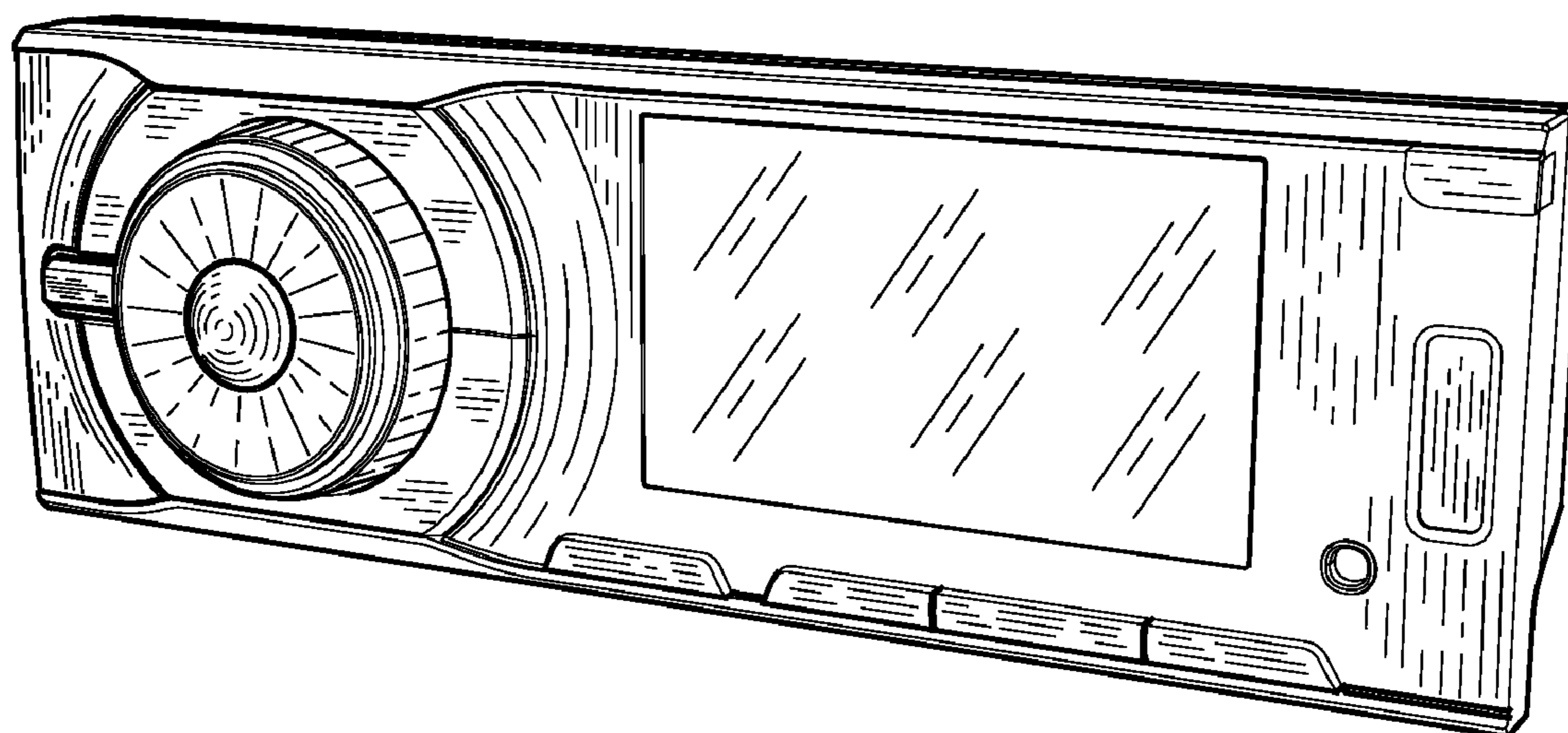


FIG. 1

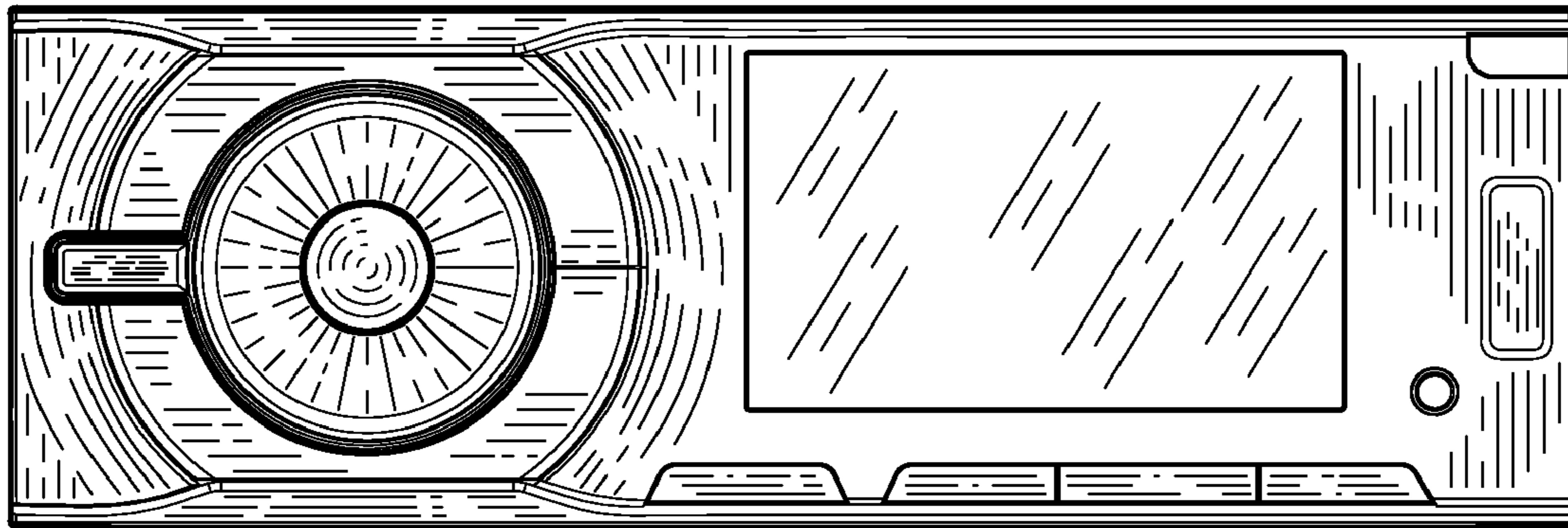


FIG. 2

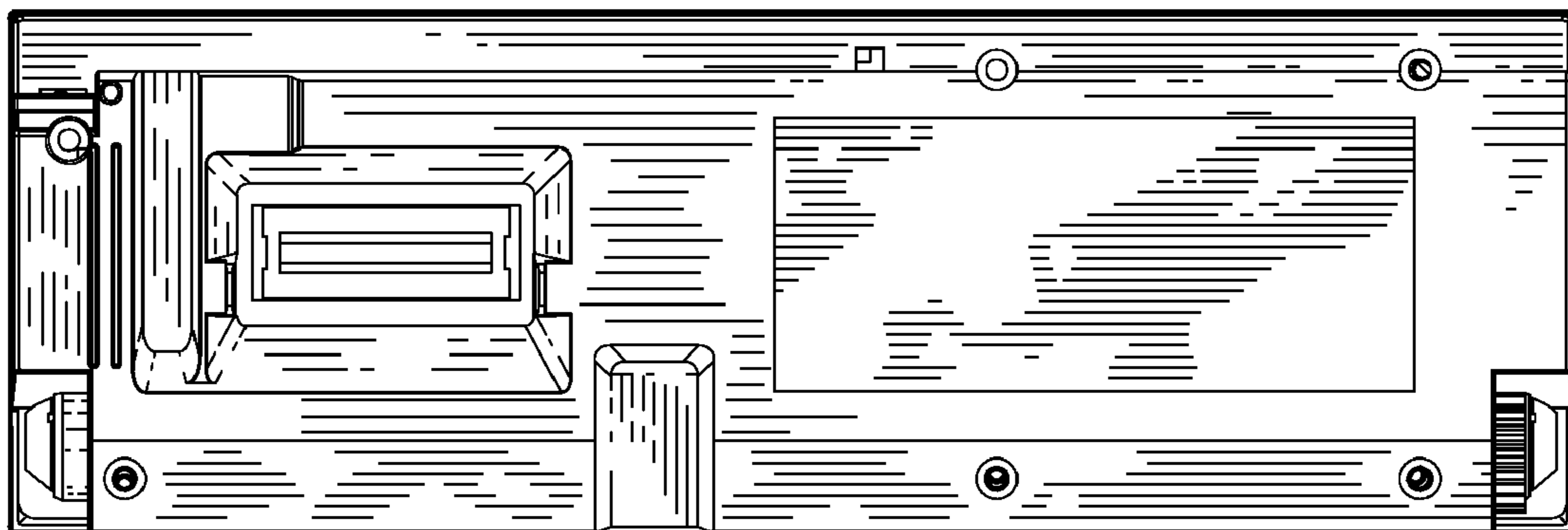


FIG. 3

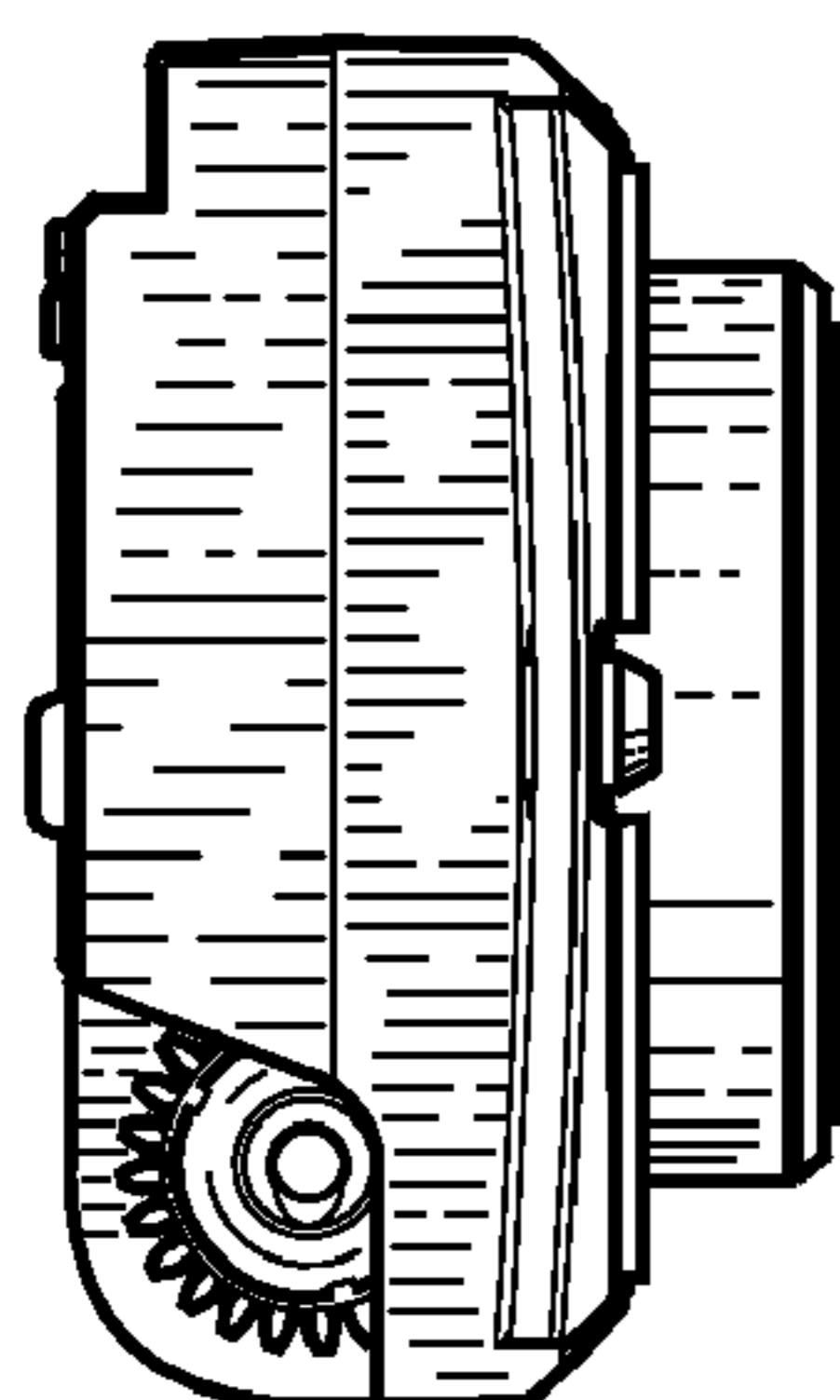


FIG. 4



FIG. 5

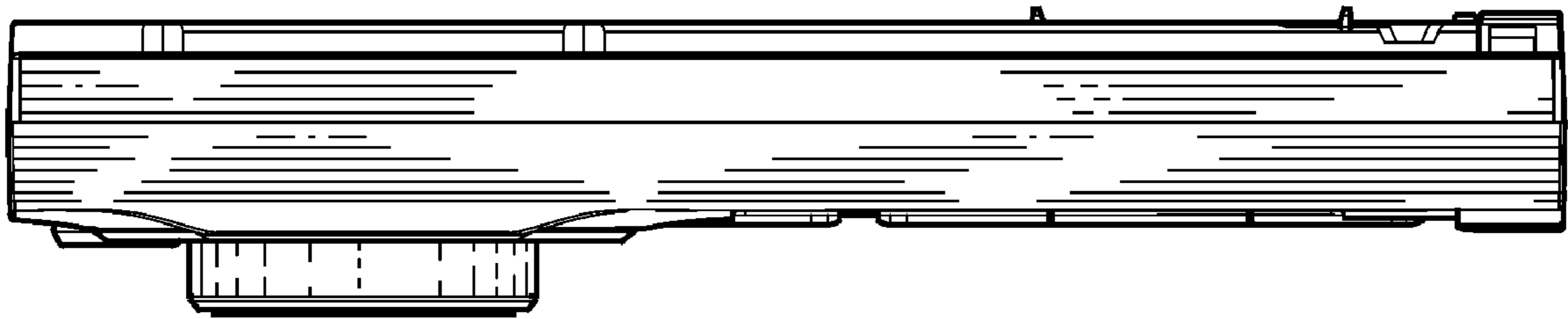


FIG. 6

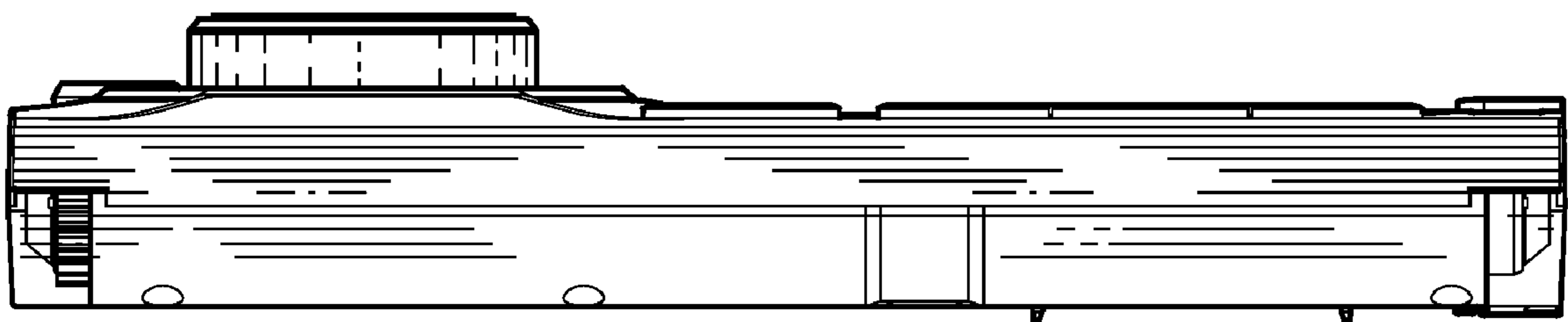


FIG. 7