



US00D623608S

(12) **United States Design Patent**
Panaccione et al.

(10) **Patent No.:** **US D623,608 S**

(45) **Date of Patent:** **** *Sep. 14, 2010**

(54) **LED PACKAGE**

(75) Inventors: **Paul Panaccione**, Newburyport, MA (US); **Christian Hoepfner**, North Andover, MA (US); **Georgia Chmielewski**, Plaistow, NH (US); **John W. Graff**, Swampscott, MA (US); **Robert F. Karlicek, Jr.**, Chelmsford, MA (US); **Daniel Mendoza**, Pelham, NH (US); **Michael Denninger**, Belmont, MA (US)

(73) Assignee: **Luminus Devices, Inc.**, Billerica, MA (US)

(*) Notice: This patent is subject to a terminal disclaimer.

(**) Term: **14 Years**

(21) Appl. No.: **29/285,425**

(22) Filed: **Mar. 29, 2007**

(51) **LOC (9) Cl.** **13-03**

(52) **U.S. Cl.** **D13/180**

(58) **Field of Classification Search** D13/180; D8/382; 257/79, 80, 81, 88, 89, 95, 98, 99, 257/100; 313/483, 498, 500; 362/555, 800; 174/156 G; 361/679.01, 728, 736, 740, 816; 29/593; 411/509

See application file for complete search history.

(56) **References Cited**

U.S. PATENT DOCUMENTS

3,859,711 A * 1/1975 McKiddy 29/593
4,858,866 A * 8/1989 Werner 248/213.3
5,880,930 A * 3/1999 Wheaton 361/690

6,074,315 A *	6/2000	Yimoyines	473/539
6,385,048 B2 *	5/2002	Mellberg et al.	361/704
6,442,045 B1 *	8/2002	Goodwin et al.	361/816
6,456,506 B1 *	9/2002	Lin	361/816
6,617,726 B1 *	9/2003	Tsergas	310/75 R
6,998,744 B2 *	2/2006	Tsergas	310/83
7,081,645 B2	7/2006	Chen et al.		
7,105,861 B2	9/2006	Erchak et al.		
7,170,100 B2	1/2007	Erchak et al.		
2006/0055309 A1 *	3/2006	Ono et al.	313/492
2006/0091416 A1 *	5/2006	Yan	257/99
2007/0045640 A1	3/2007	Erchak et al.		
2007/0085082 A1 *	4/2007	Erchak et al.	257/79
2007/0115556 A1	5/2007	Erchak et al.		
2007/0267642 A1	11/2007	Erchak et al.		

* cited by examiner

Primary Examiner—Selina Sikder

(74) *Attorney, Agent, or Firm*—Wolf Greenfield & Sacks, P.C.

(57) **CLAIM**

The ornamental design for a LED package, as shown and described.

DESCRIPTION

FIG. 1 is a side, top perspective view of an LED package showing our new design;

FIG. 2 is a top view thereof;

FIG. 3 is a right side view;

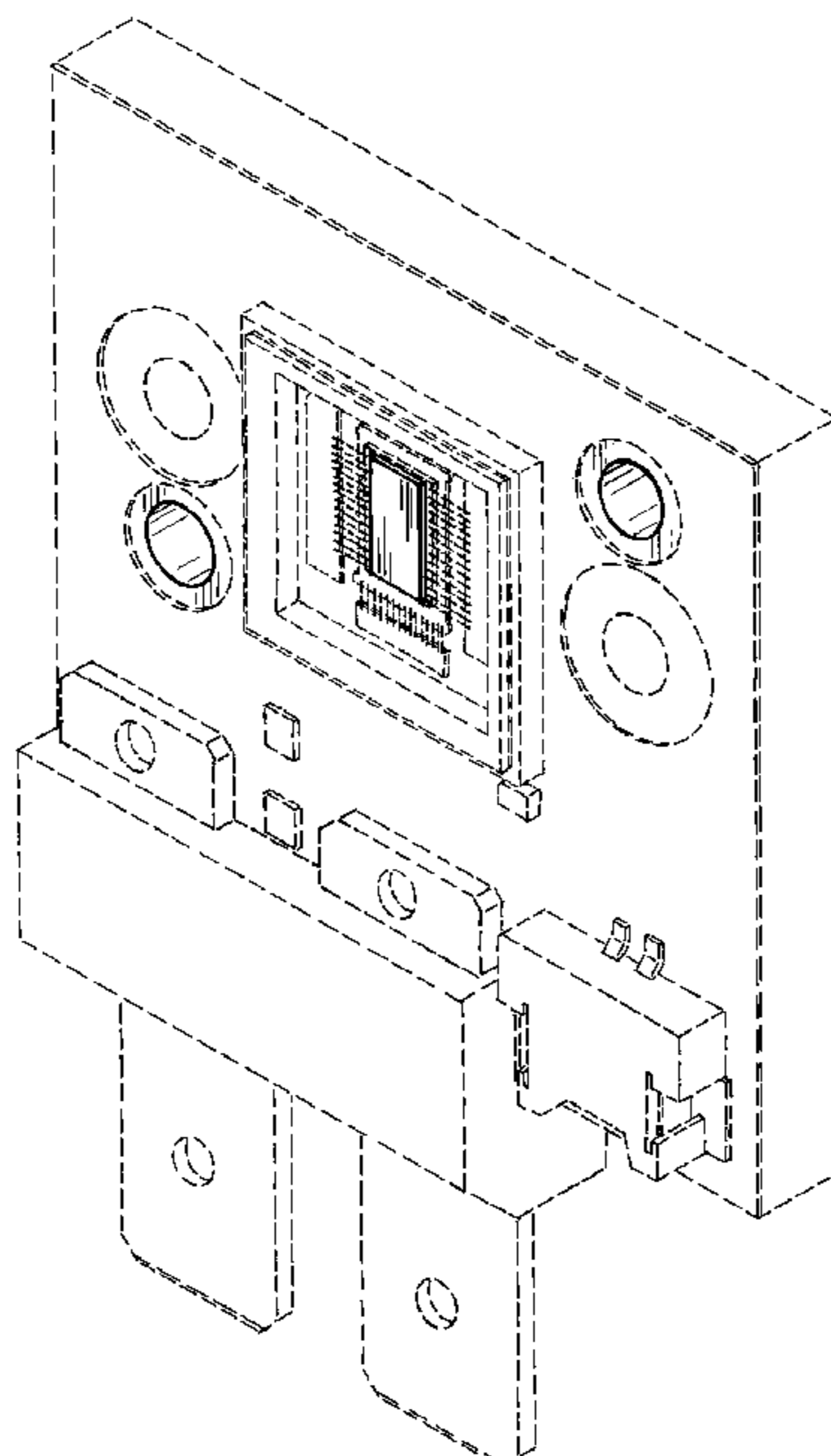
FIG. 4 is a left side view;

FIG. 5 is a front view; and,

FIG. 6 is a rear view.

The broken lines represent unclaimed subject matter.

1 Claim, 2 Drawing Sheets



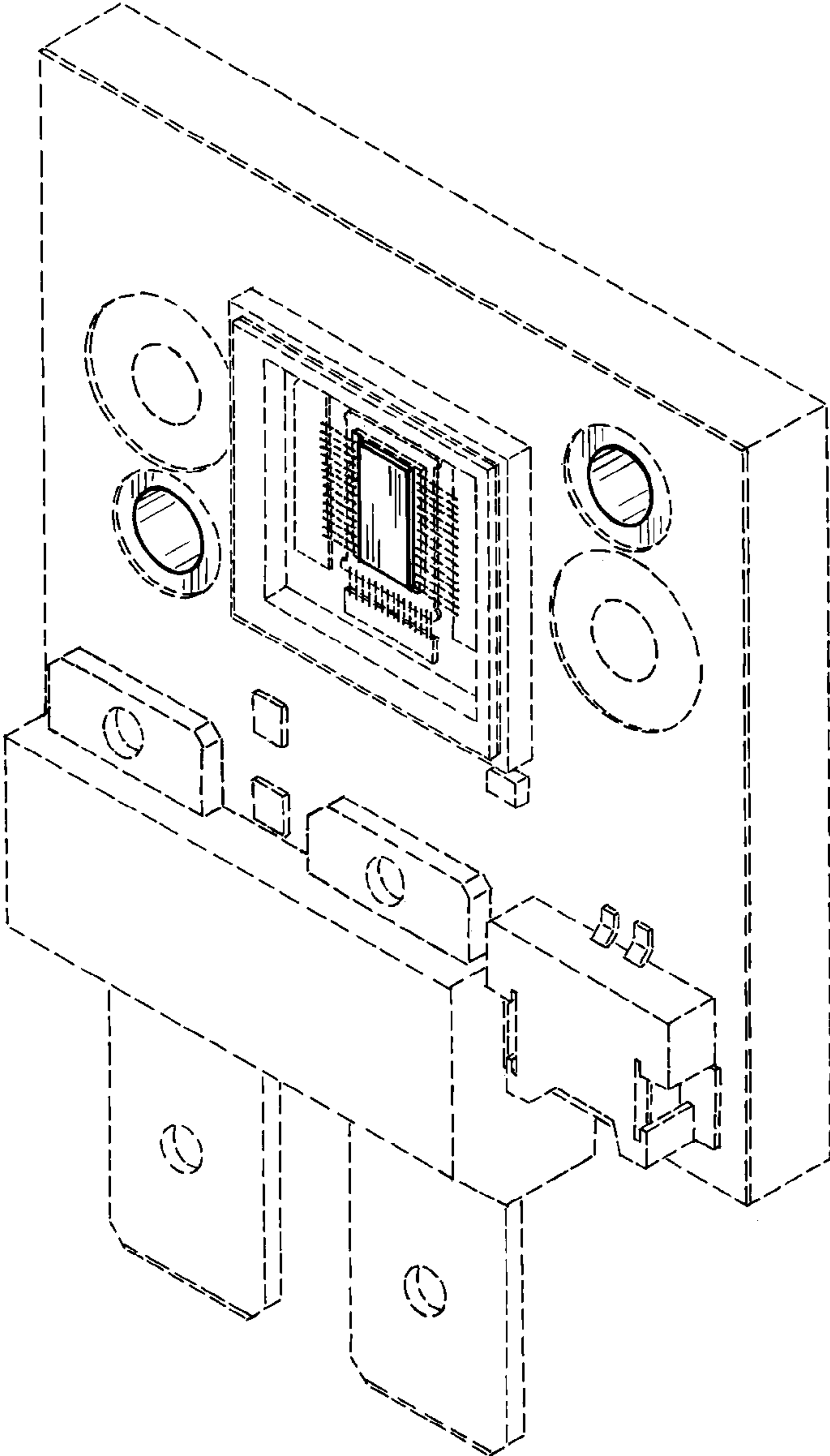


Fig. 1

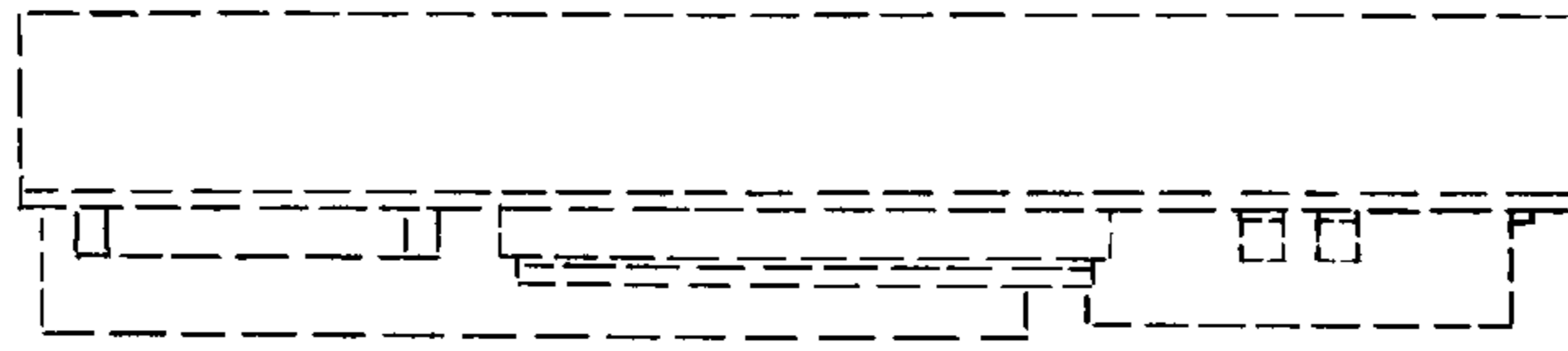


Fig. 5

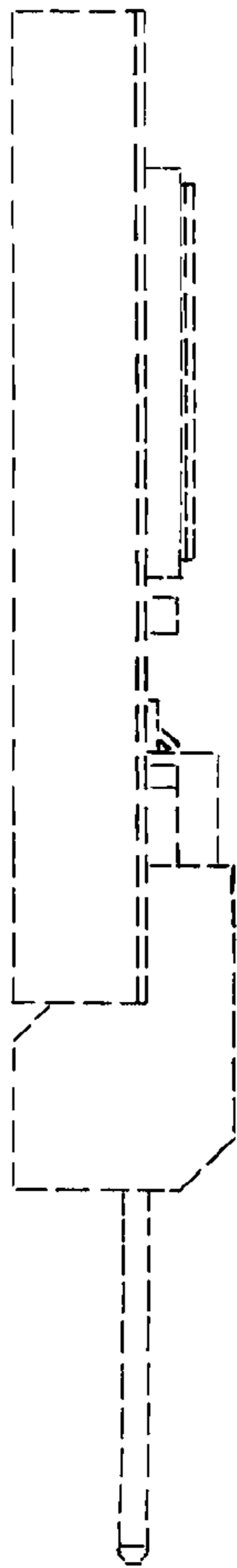


Fig. 3

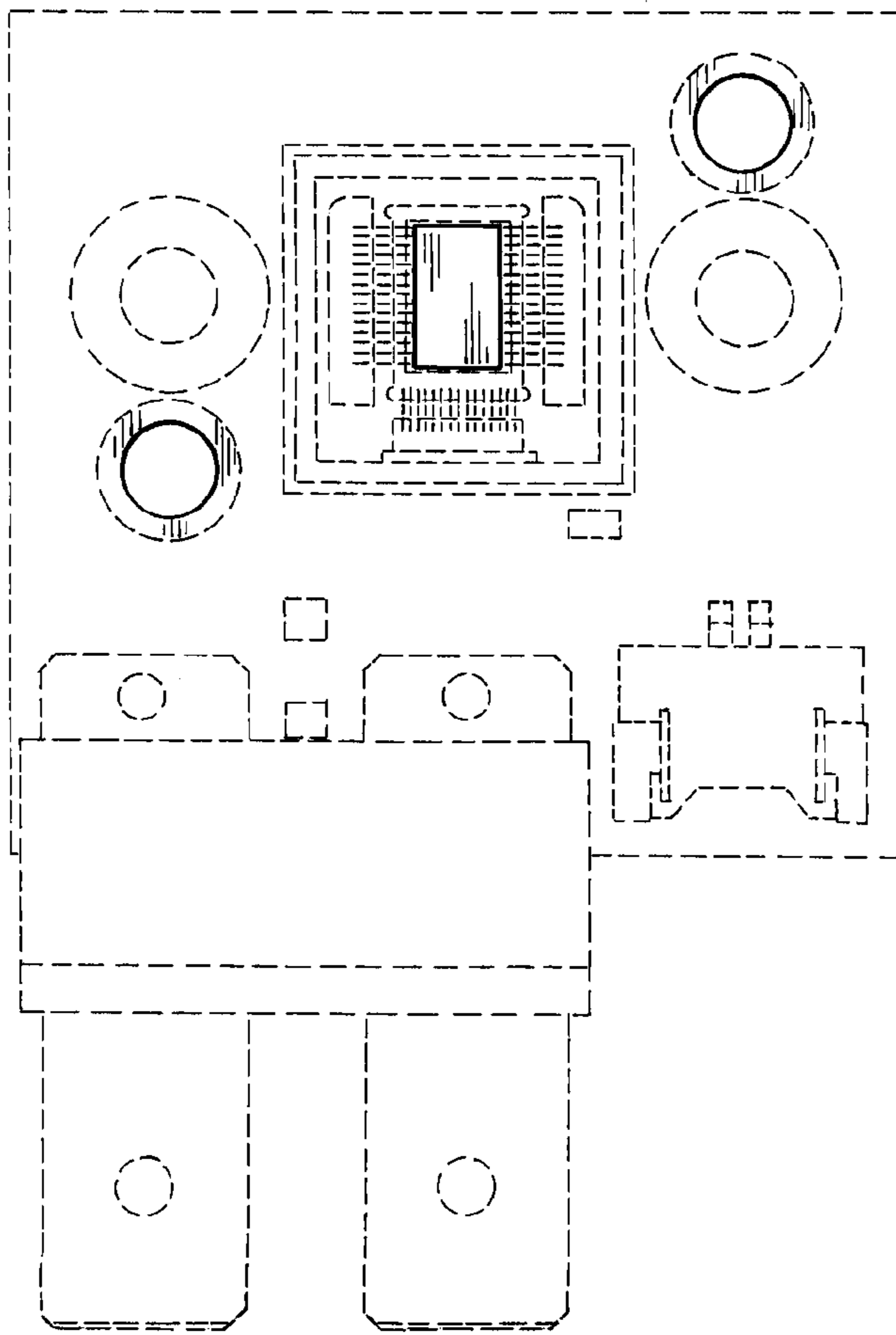


Fig. 2

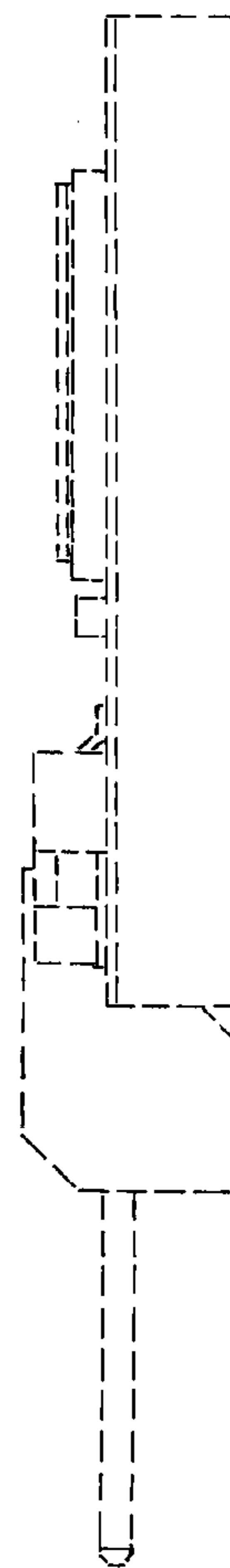


Fig. 4

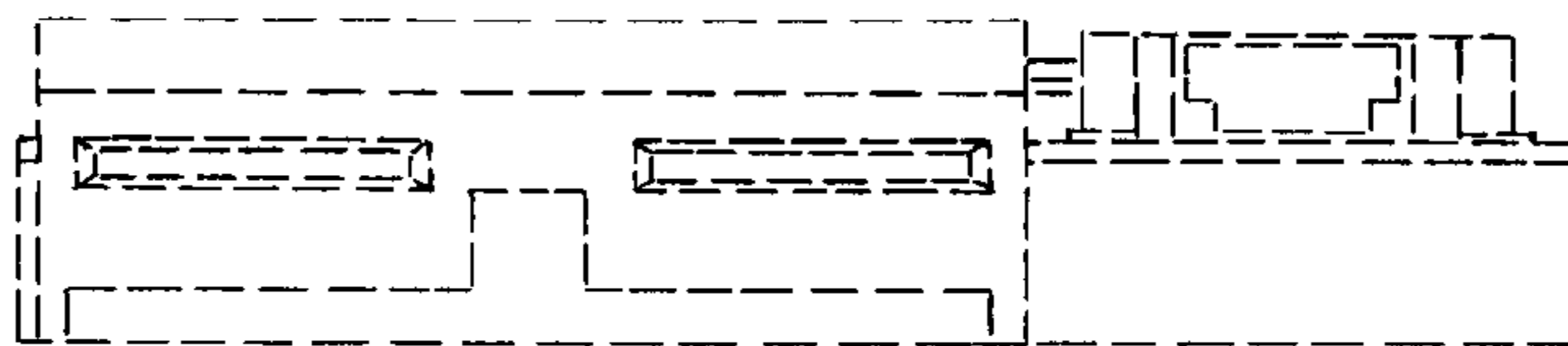


Fig. 6