



US00D623606S

(12) **United States Design Patent**  
**Nakai et al.**

(10) **Patent No.:** **US D623,606 S**

(45) **Date of Patent:** **\*\* Sep. 14, 2010**

(54) **REMOTE CONTROLLER FOR AIR-CONDITIONER**

D577,616 S \* 9/2008 Edgar ..... D10/50  
D582,802 S \* 12/2008 Branson et al. .... D10/50  
D596,964 S \* 7/2009 Wang et al. .... D10/50

(75) Inventors: **So Nakai**, Chiyoda-ku (JP); **Azumi Suzuki**, Chiyoda-ku (JP)

\* cited by examiner

(73) Assignee: **Mitsubishi Electric Corporation**, Tokyo (JP)

*Primary Examiner*—Selina Sikder

(74) *Attorney, Agent, or Firm*—Sughrue Mion, PLLC

(\*\*) Term: **14 Years**

(57) **CLAIM**

(21) Appl. No.: **29/353,730**

The ornamental design for a remote controller for air-conditioner, as shown and described.

(22) Filed: **Jan. 13, 2010**

**DESCRIPTION**

(30) **Foreign Application Priority Data**

Jul. 27, 2009 (JP) ..... 2009-017034

FIG. 1 is a front, top and right side perspective view of a remote controller for air-conditioner, showing my new design;

(51) **LOC (9) Cl.** ..... **14-03**

FIG. 2 is a front elevational view thereof;

(52) **U.S. Cl.** ..... **D13/168**

FIG. 3 is a rear elevational view thereof;

(58) **Field of Classification Search** ..... D13/168;  
D10/49, 50; D14/336, 341; 340/825.22,  
340/825.24, 825.25, 825.31, 825.36, 825.69,  
340/825.72; 341/176; 455/352; 345/156  
See application file for complete search history.

FIG. 4 is a top plan view thereof;

FIG. 5 is a bottom plan view thereof;

FIG. 6 is a left side elevational view thereof;

FIG. 7 is a right side elevational view thereof;

(56) **References Cited**

**U.S. PATENT DOCUMENTS**

5,720,176 A \* 2/1998 Manson et al. .... 62/89  
D416,910 S \* 11/1999 Vasquez ..... D14/218  
D449,586 S \* 10/2001 Aketa et al. .... D13/168  
D493,148 S \* 7/2004 Shibata et al. .... D13/168  
D501,463 S \* 2/2005 Hisatsune ..... D14/218  
D541,225 S \* 4/2007 Katsuyama et al. .... D13/168  
D556,700 S \* 12/2007 Igarashi ..... D13/168

FIG. 8 is an enlarged cross-sectional view thereof; taken along line 8—8 of FIG. 2, with the internal system omitted;

FIG. 9 is an enlarged cross-sectional view thereof; taken along line 9—9 of FIG. 2, with the internal system omitted; and,

FIG. 10 is an enlarged cross-sectional view thereof; taken along line 10—10 of FIG. 2, with the internal system omitted.

**1 Claim, 5 Drawing Sheets**

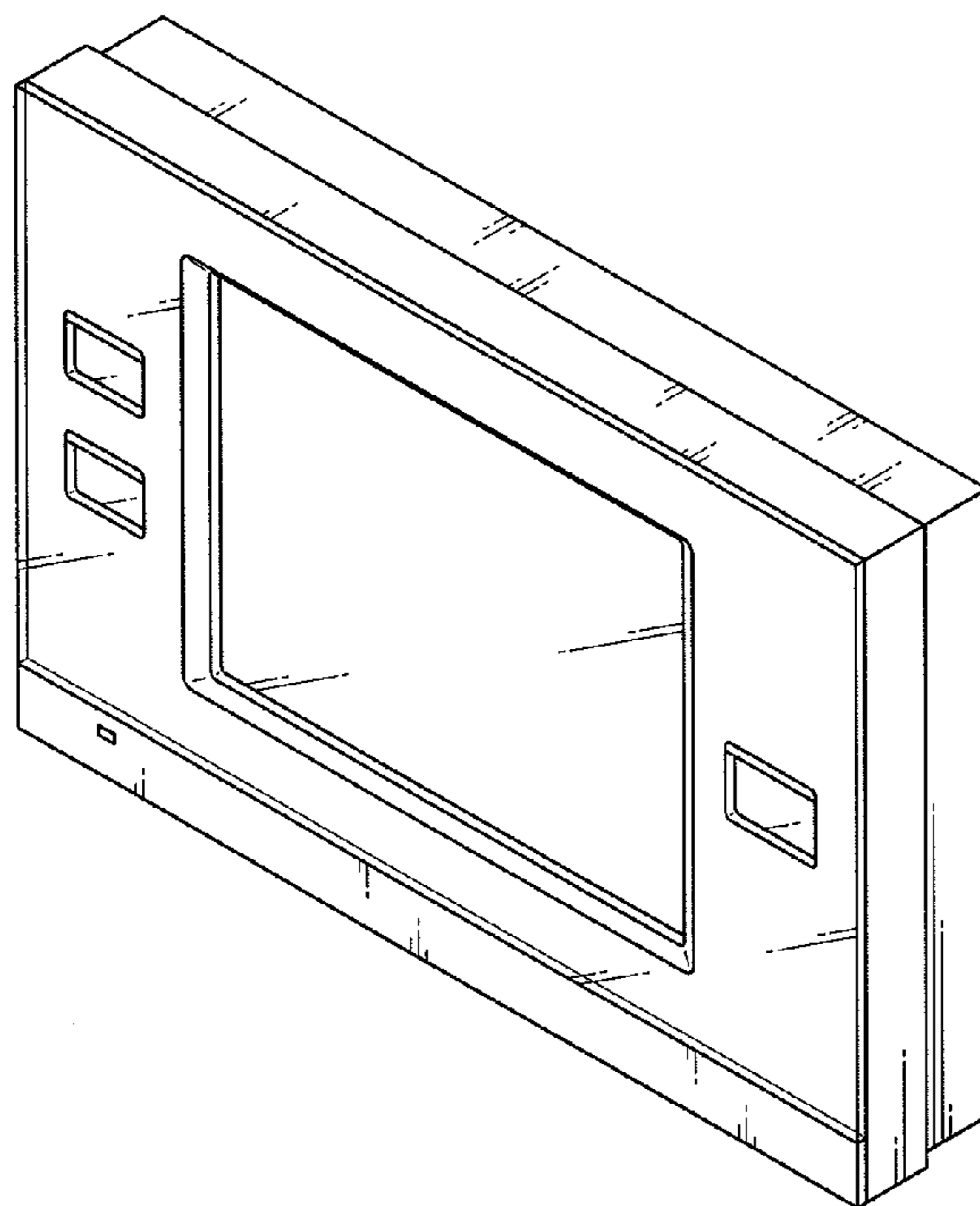


FIG. 1

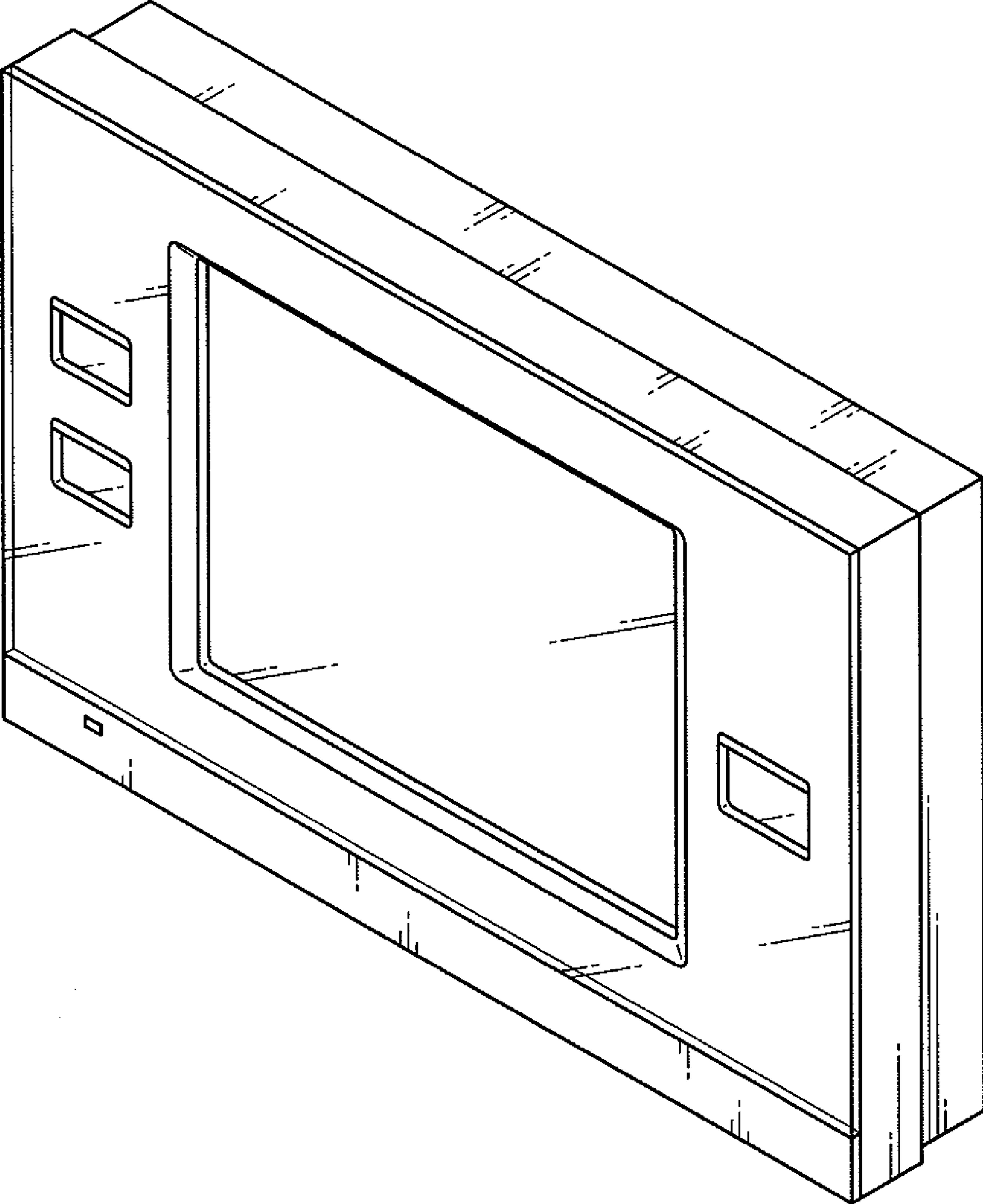


FIG.2

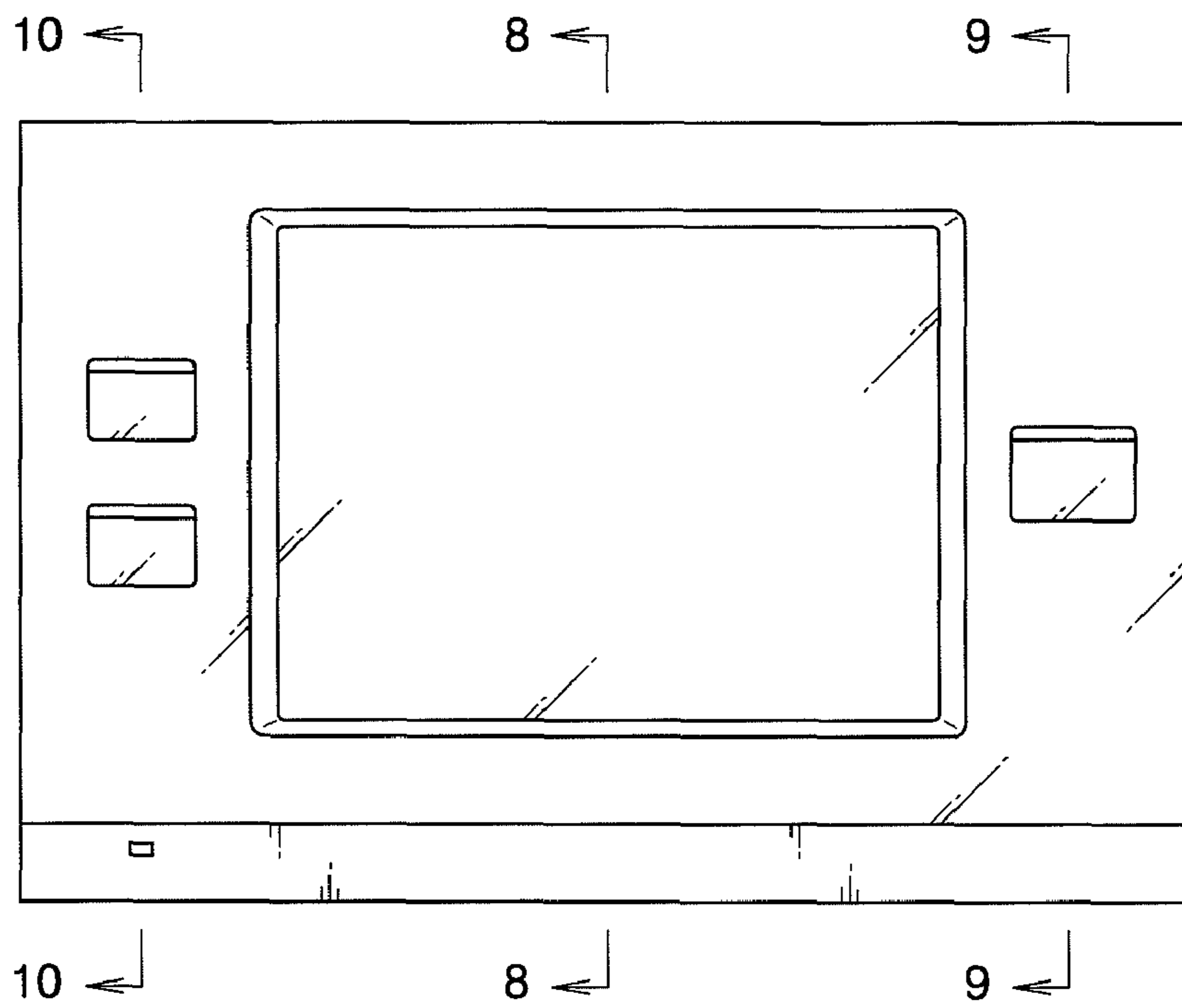


FIG.3

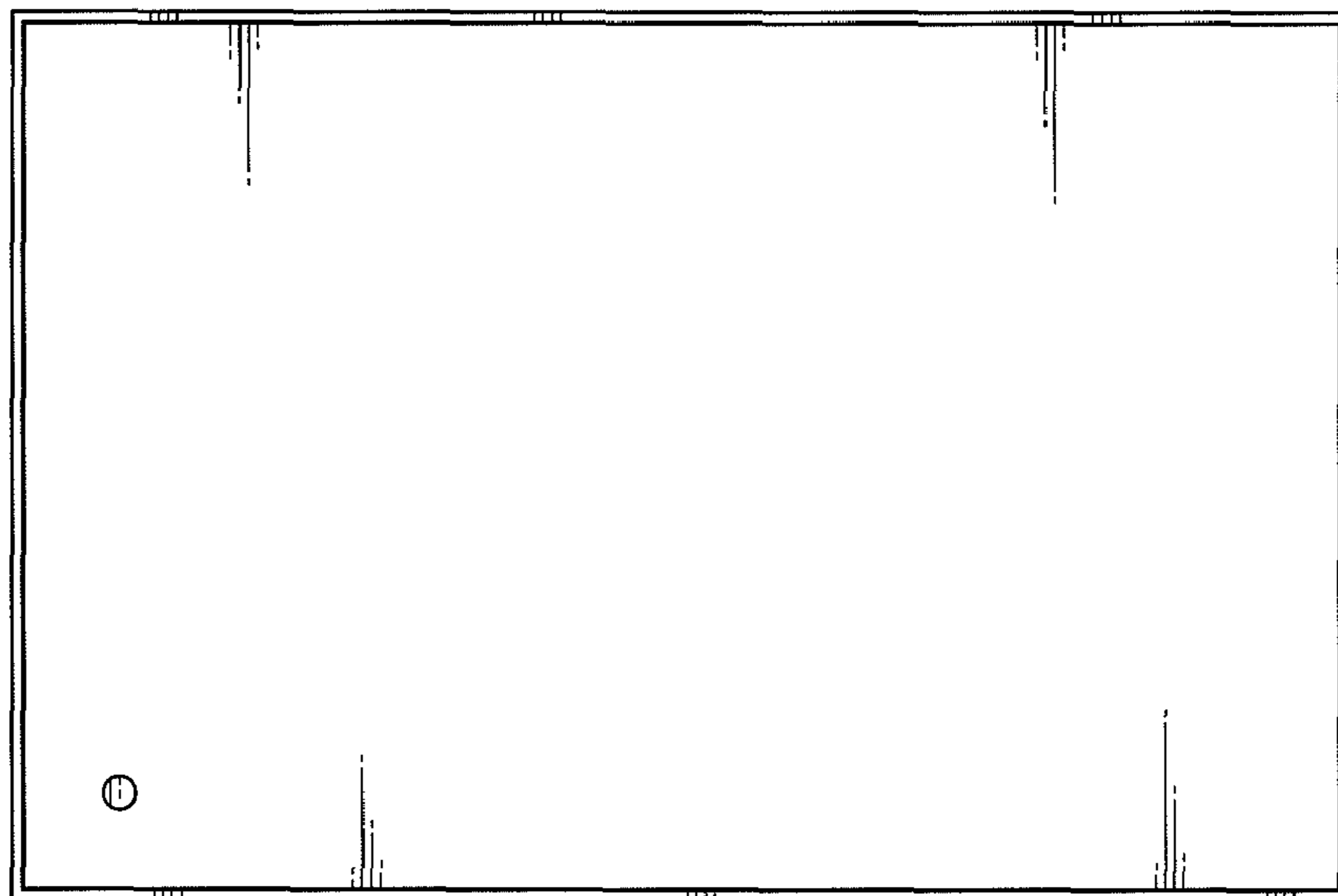


FIG.4

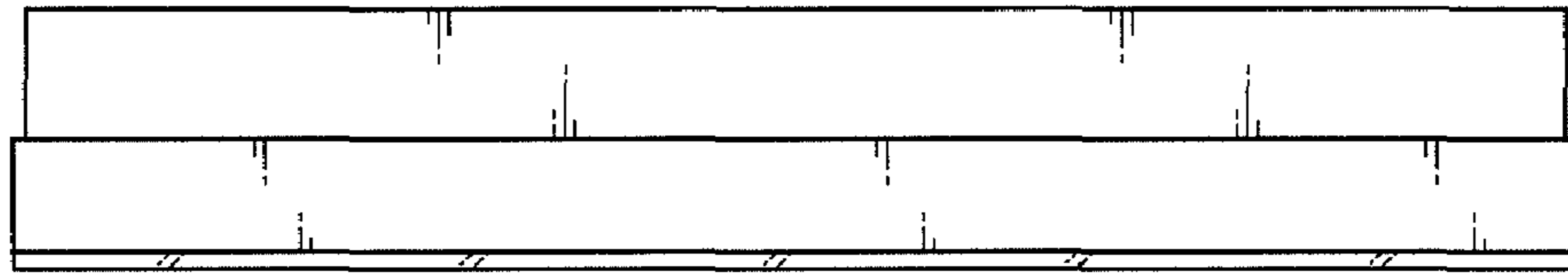


FIG.5

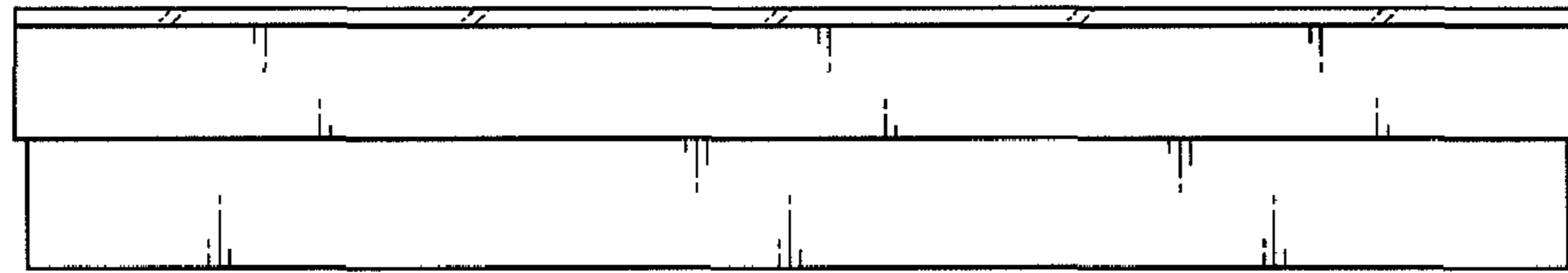


FIG.6

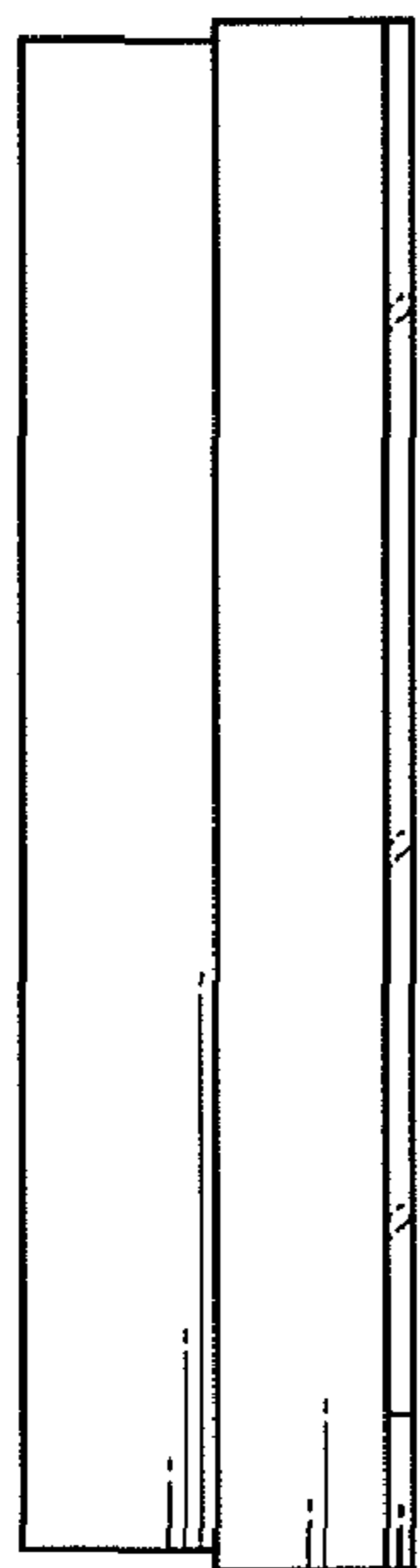


FIG.7

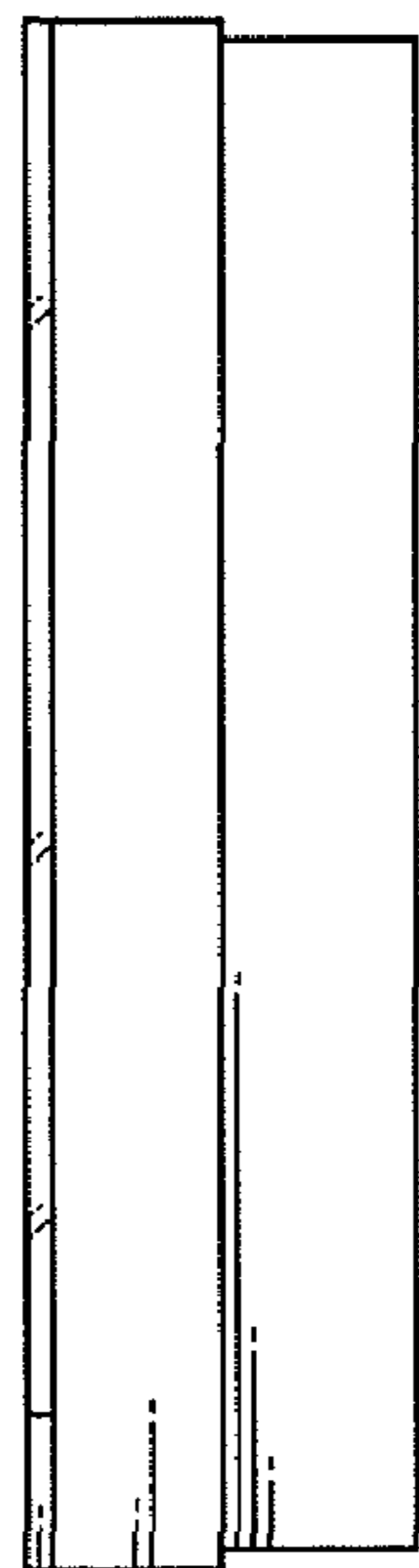


FIG.8

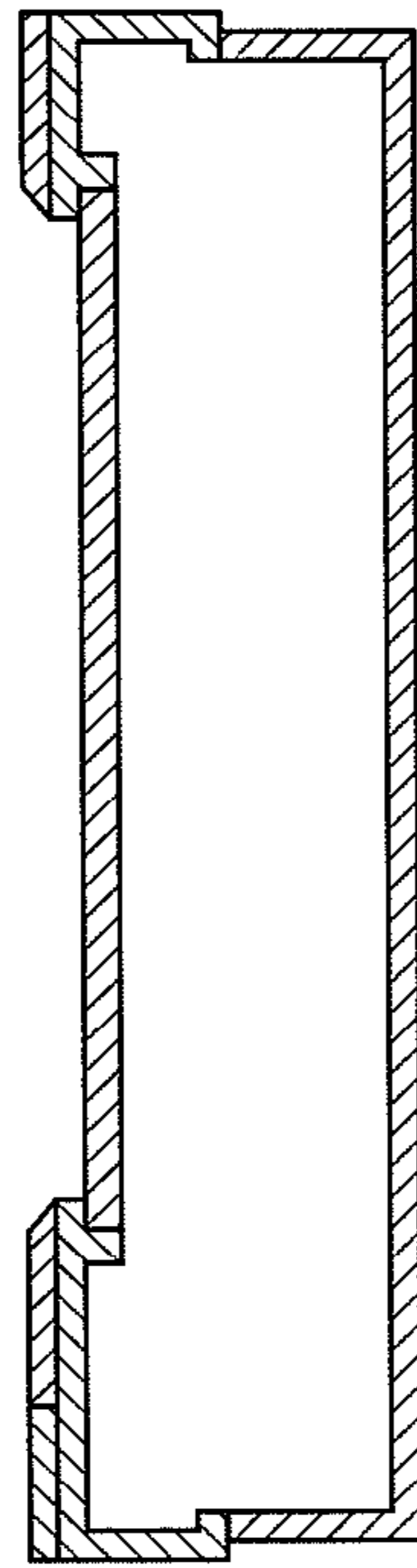


FIG.9

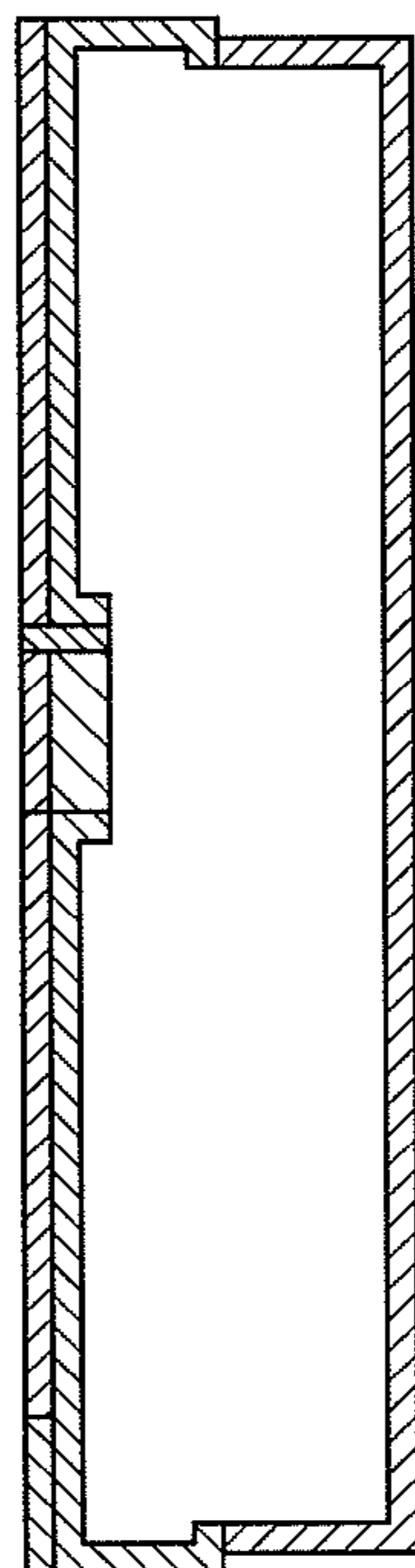


FIG. 10

