



US00D623605S

(12) **United States Design Patent**  
**Flowers et al.**

(10) **Patent No.:** **US D623,605 S**  
(45) **Date of Patent:** **\*\* Sep. 14, 2010**

(54) **ENCLOSURE AND FRAME FOR A REMOTE CONTROL**

(75) Inventors: **Maureen E. Flowers**, Center Valley, PA (US); **Edward M. Felegy, Jr.**, Macungie, PA (US); **Stephen Sibley**, Center Valley, PA (US); **Gregory M. Snyder**, Germansville, PA (US); **Gregory Altonen**, Easton, PA (US); **Elliot G. Jacoby**, Glenside, PA (US); **Noel Mayo**, Philadelphia, PA (US)

D525,948 S 8/2006 Blair et al.  
D527,711 S 9/2006 Spira et al.  
D528,404 S 9/2006 Spira  
D528,992 S 9/2006 Hobart et al.  
D540,748 S 4/2007 Larson et al.  
D541,221 S 4/2007 Spira  
D541,755 S 5/2007 Spira  
D542,226 S 5/2007 Spira  
D542,227 S 5/2007 Larson et al.

(Continued)

(73) Assignee: **Lutron Electronics Co., Inc.**, Coopersburg, PA (US)

**OTHER PUBLICATIONS**

Lutron Electronics Co., Inc., RadioRA Visor Control Transmitter Specification Submittal Sheet, Jan. 2002, 2 pages.

(\*\*) Term: **14 Years**

(Continued)

(21) Appl. No.: **29/346,292**

(22) Filed: **Oct. 29, 2009**

*Primary Examiner*—Selina Sikder  
(74) *Attorney, Agent, or Firm*—Mark E. Rose; Philip N. Smith; Bridget L. McDonough

(51) **LOC (9) Cl.** ..... **14-03**

(52) **U.S. Cl.** ..... **D13/168**

(58) **Field of Classification Search** ..... D13/164,  
D13/168, 177; D10/104, 106; D14/218,  
D14/247; 340/825.22, 825.24, 825.25, 825.31,  
340/825.36, 825.69, 825.72; 341/176; 455/352  
See application file for complete search history.

(57) **CLAIM**

We claim the ornamental design for an enclosure and frame for a remote control, as shown and described.

(56) **References Cited**

**DESCRIPTION**

**U.S. PATENT DOCUMENTS**

D309,890 S 8/1990 Cheng  
D313,973 S 1/1991 Walker  
D315,145 S \* 3/1991 Pearlman et al. .... D13/169  
5,036,168 A 7/1991 Kikuchi et al.  
D331,741 S \* 12/1992 Fujiyoshi ..... D13/169  
D391,878 S 3/1998 Alleyne  
D391,924 S 3/1998 Mayo et al.  
D392,202 S 3/1998 Nitzberg  
D407,695 S 4/1999 Hwang  
D450,313 S \* 11/2001 Koinuma ..... D14/218  
D484,493 S \* 12/2003 Oross et al. .... D14/218  
D496,335 S 9/2004 Spira  
D518,447 S 4/2006 Spira  
D519,939 S \* 5/2006 Hedderich et al. .... D13/164

FIG. 1 is a perspective view of an enclosure and frame for a remote control according to our new design.

FIG. 2 is a front view thereof.

FIG. 3 is a left side view thereof.

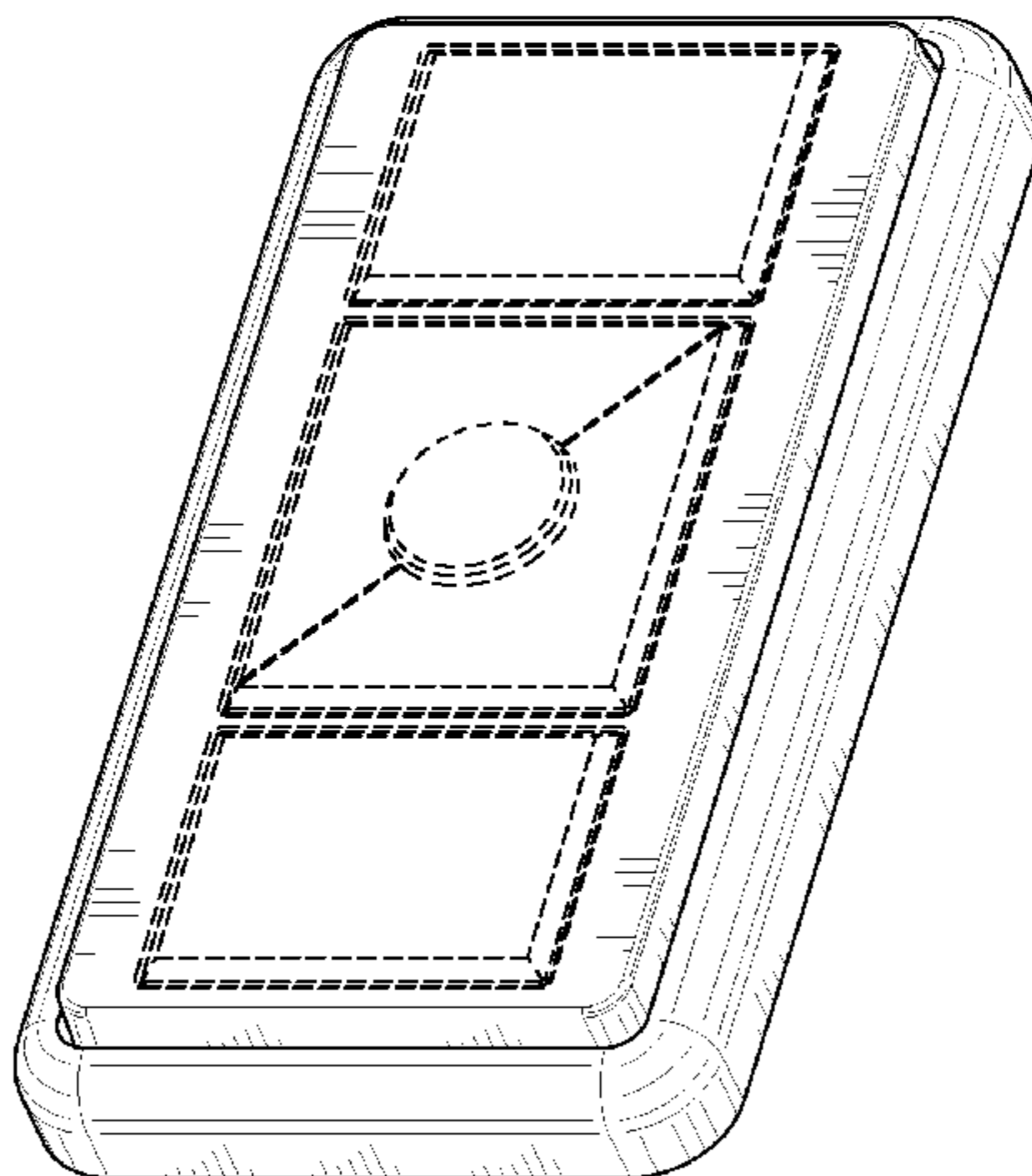
FIG. 4 is a right side view thereof.

FIG. 5 is a top view thereof; and,

FIG. 6 is a bottom view thereof.

The rear view forms no part of the design and is omitted. The portions of the drawings appearing in broken line are for environment only and do not form a part of the claimed design.

**1 Claim, 4 Drawing Sheets**



U.S. PATENT DOCUMENTS

D542,737 S 5/2007 Spira  
D569,813 S \* 5/2008 Charleux et al. .... D13/168  
D592,606 S 5/2009 Felegy, Jr. et al.  
D592,607 S 5/2009 Felegy, Jr. et al.  
D592,608 S 5/2009 Felegy, Jr. et al.  
D592,609 S 5/2009 Felegy, Jr. et al.  
D592,611 S 5/2009 Altonen et al.  
D596,143 S 7/2009 Felegy, Jr. et al.  
D602,446 S 10/2009 Felegy, Jr. et al.  
D604,702 S 11/2009 Felegy, Jr. et al.  
D606,030 S 12/2009 Felegy, Jr. et al.  
D606,500 S 12/2009 Snyder et al.  
2008/0111491 A1 5/2008 Spira  
2008/0218099 A1 9/2008 Newman  
2009/0251352 A1 10/2009 Altonen et al.

OTHER PUBLICATIONS

Lutron Electronics Co., Inc., RadioRA Visor Control Transmitter Installation Instruction Sheet, Nov. 2001, 2 pages.  
Lutron Electronics Co., Inc., Aurora Wireless Lighting Control Brochure, Nov. 2006, 2 pages.  
Lutron Electronics Co., Inc., Maestro Wireless Remote Lighting Control Brochure, Sep. 2007, 2 pages.  
U.S. Appl. No. 29/328,023, filed Nov. 8, 2008, Felegy, Jr. et al.

U.S. Appl. No. 29/330,451, filed Jan. 7, 2009, Felegy, Jr. et al.  
U.S. Appl. No. 29/330,445, filed Jan. 7, 2009, Felegy, Jr. et al.  
U.S. Appl. No. 29/330,449, filed Jan. 7, 2009, Felegy, Jr. et al.  
U.S. Appl. No. 29/330,779, filed Jan. 14, 2009, Felegy, Jr. et al.  
U.S. Appl. No. 29/332,627, filed Feb. 20, 2009, Snyder et al.  
U.S. Appl. No. 29/332,632, filed Feb. 20, 2009, Snyder et al.  
U.S. Appl. No. 29/332,636, filed Feb. 20, 2009, Snyder et al.  
U.S. Appl. No. 29/335,141, filed Apr. 9, 2009, Altonen et al.  
U.S. Appl. No. 29/345,905, filed Oct. 23, 2009, Felegy, Jr. et al.  
U.S. Appl. No. 29/345,916, filed Oct. 23, 2009, Felegy, Jr. et al.  
U.S. Appl. No. 29/345,922, filed Oct. 23, 2009, Jacoby et al.  
U.S. Appl. No. 29/345,927, filed Oct. 23, 2009, Jacoby et al.  
U.S. Appl. No. 29/346,332, filed Oct. 30, 2009, Felegy, Jr. et al.  
U.S. Appl. No. 29/346,701, filed Nov. 4, 2009, Felegy, Jr. et al.  
U.S. Appl. No. 29/346,750, filed Nov. 5, 2009, Petrillo et al.  
U.S. Appl. No. 29/352,417, filed Dec. 21, 2009, Felegy, Jr. et al.  
U.S. Appl. No. 29/352,419, filed Dec. 21, 2009, Felegy, Jr. et al.  
U.S. Appl. No. 29/352,424, filed Dec. 21, 2009, Felegy, Jr. et al.  
Belkin International Inc., Conserve Surge Protector Manual, 2008, 4 pages.  
Belkin International Inc., Conserve Surge Protector Quick Start Guide, 2008, 2 pages.  
Ziff Davis Publishing Holdings Inc., Hands On: Belkin Conserve Surge Protector, Gearlog Blog, Sep. 2, 2008, 1 page.

\* cited by examiner

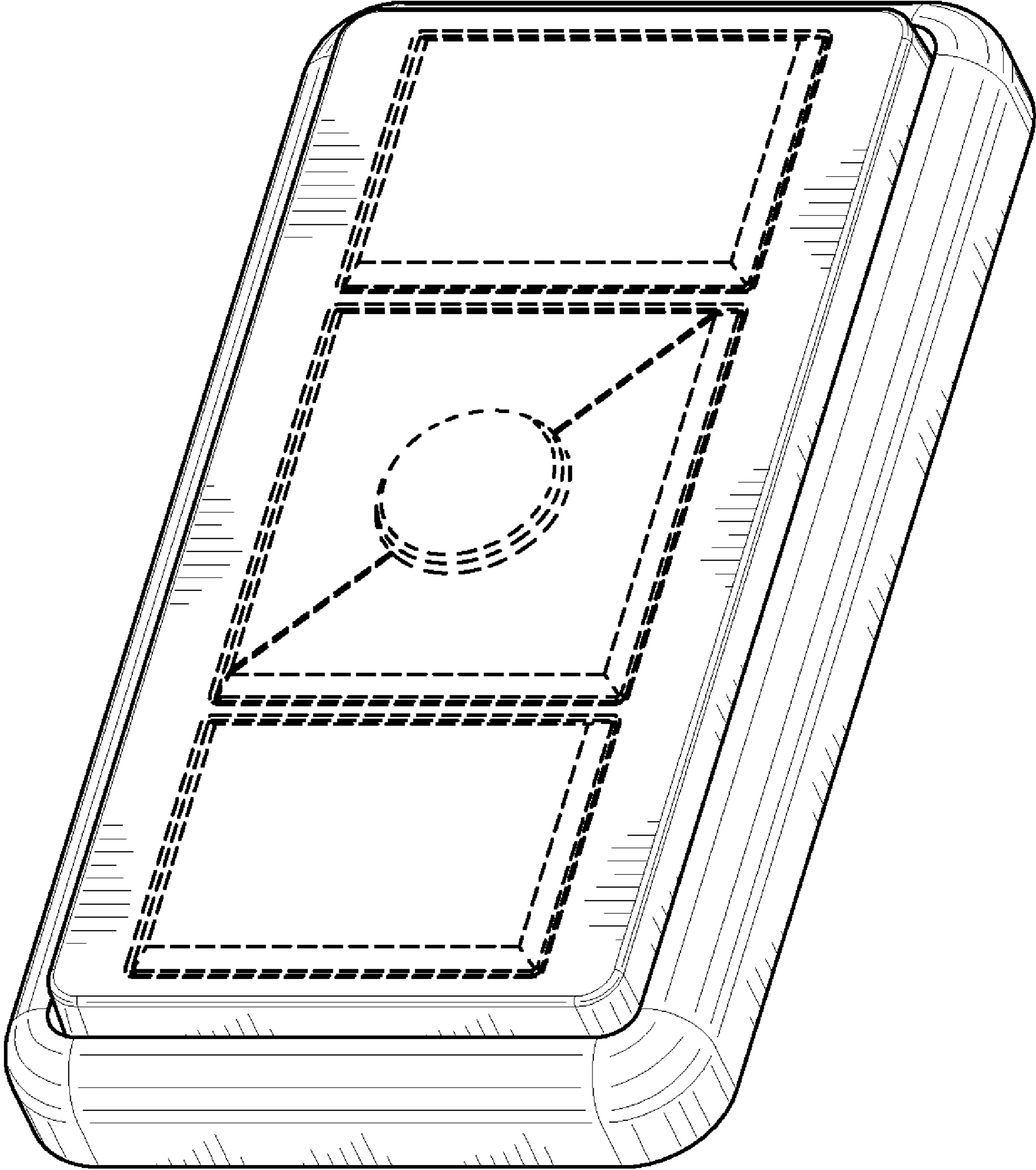


Fig. 1

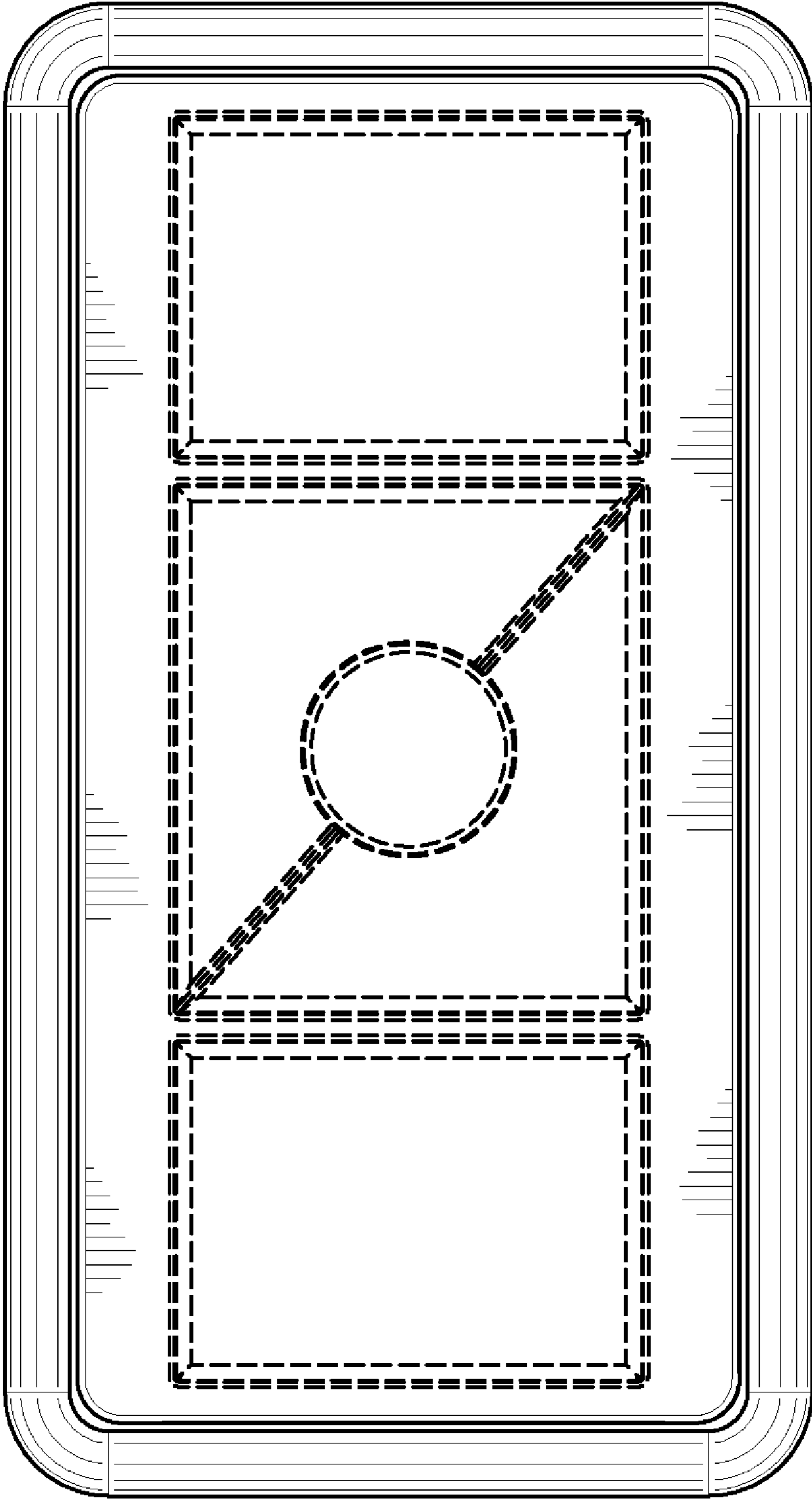


Fig. 2

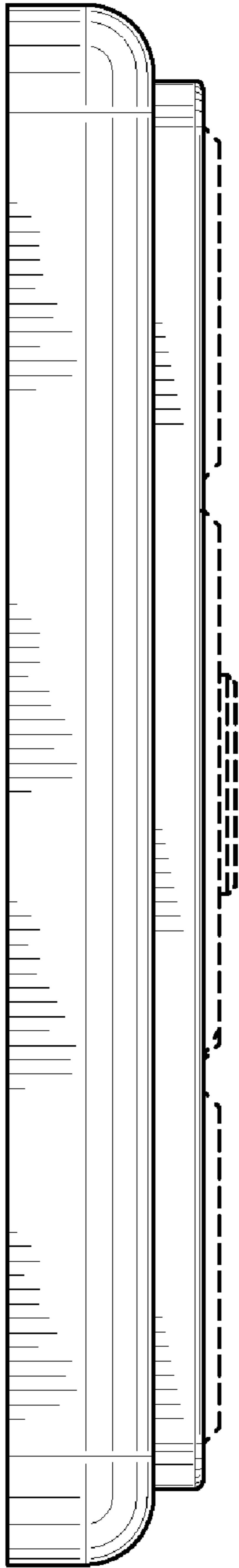


Fig. 3

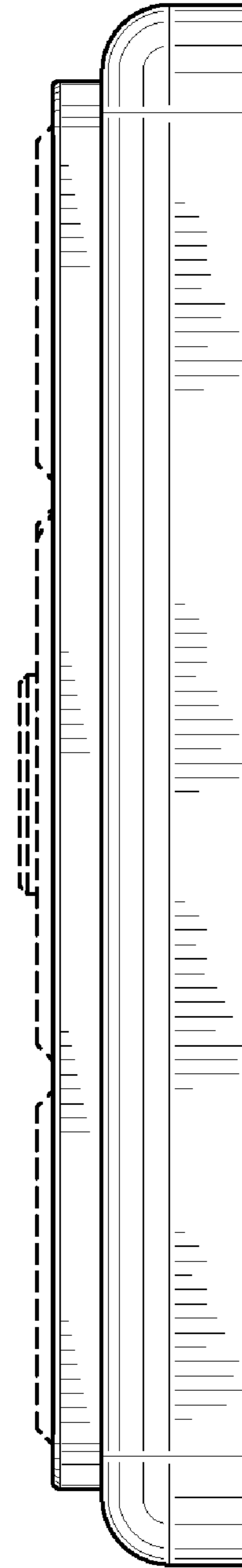


Fig. 4

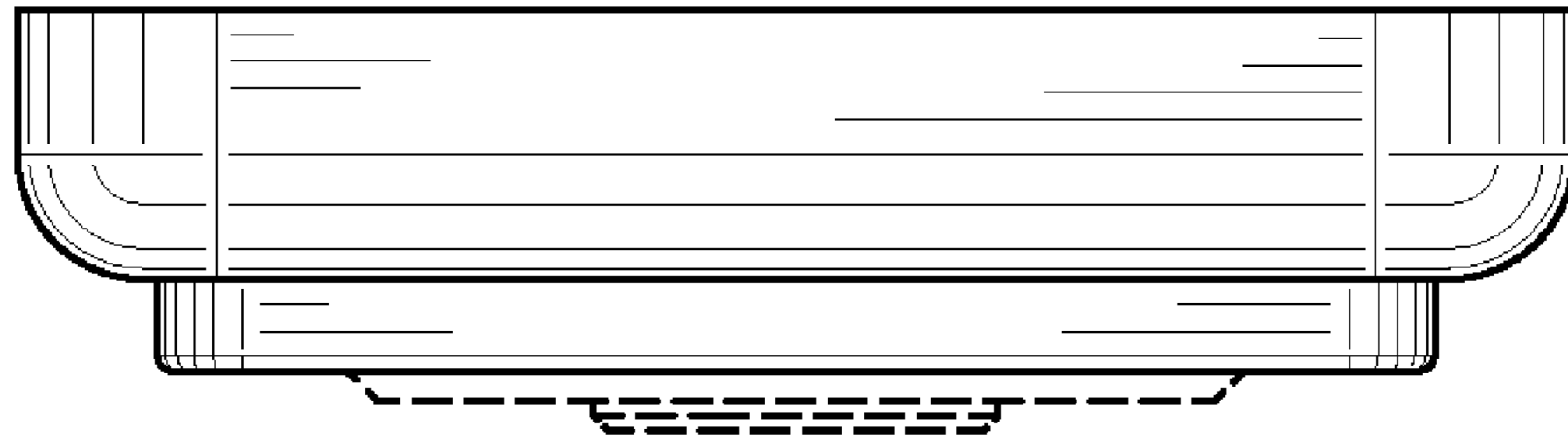


Fig. 5

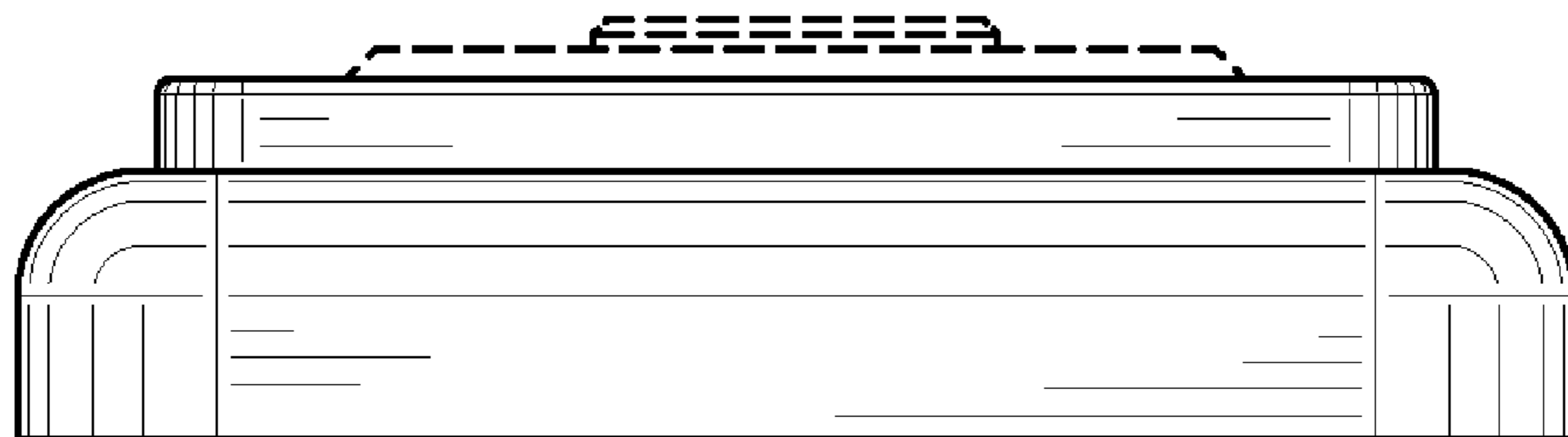


Fig. 6