



US00D623603S

(12) **United States Design Patent**  
**Amidon**

(10) **Patent No.:** **US D623,603 S**

(45) **Date of Patent:** **\*\* Sep. 14, 2010**

(54) **RCA CONNECTOR**

2008/0248688 A1\* 10/2008 Amidon ..... 439/578

(75) Inventor: **Jeremy Amidon**, Marcellus, NY (US)

\* cited by examiner

(73) Assignee: **John Mezzalingua Associates, Inc., E.**  
Syracuse, NY (US)

*Primary Examiner*—Daniel D Bui  
(74) *Attorney, Agent, or Firm*—Schmeiser, Olsen & Watts,  
LLP

(\*\*) Term: **14 Years**

(21) Appl. No.: **29/353,036**

(22) Filed: **Dec. 31, 2009**

(57) **CLAIM**

The ornamental design for an RCA connector, as shown and described.

(51) **LOC (9) Cl.** ..... **13-03**

(52) **U.S. Cl.** ..... **D13/154; D13/133**

(58) **Field of Classification Search** ..... D13/133,  
D13/154, 184; 439/578, 583, 584, 668, 669,  
439/675, 751, 825, 851

See application file for complete search history.

**DESCRIPTION**

FIG. 1 is a front perspective view showing my design for an RCA connector;

FIG. 2 is a top view thereof, the claimed portion of which is a mirror image to a bottom view;

FIG. 3 is a right side view thereof, the claimed portion of which is a mirror image to a left side view;

FIG. 4 is a front view thereof, on a larger scale; and,

FIG. 5 is a rear view thereof.

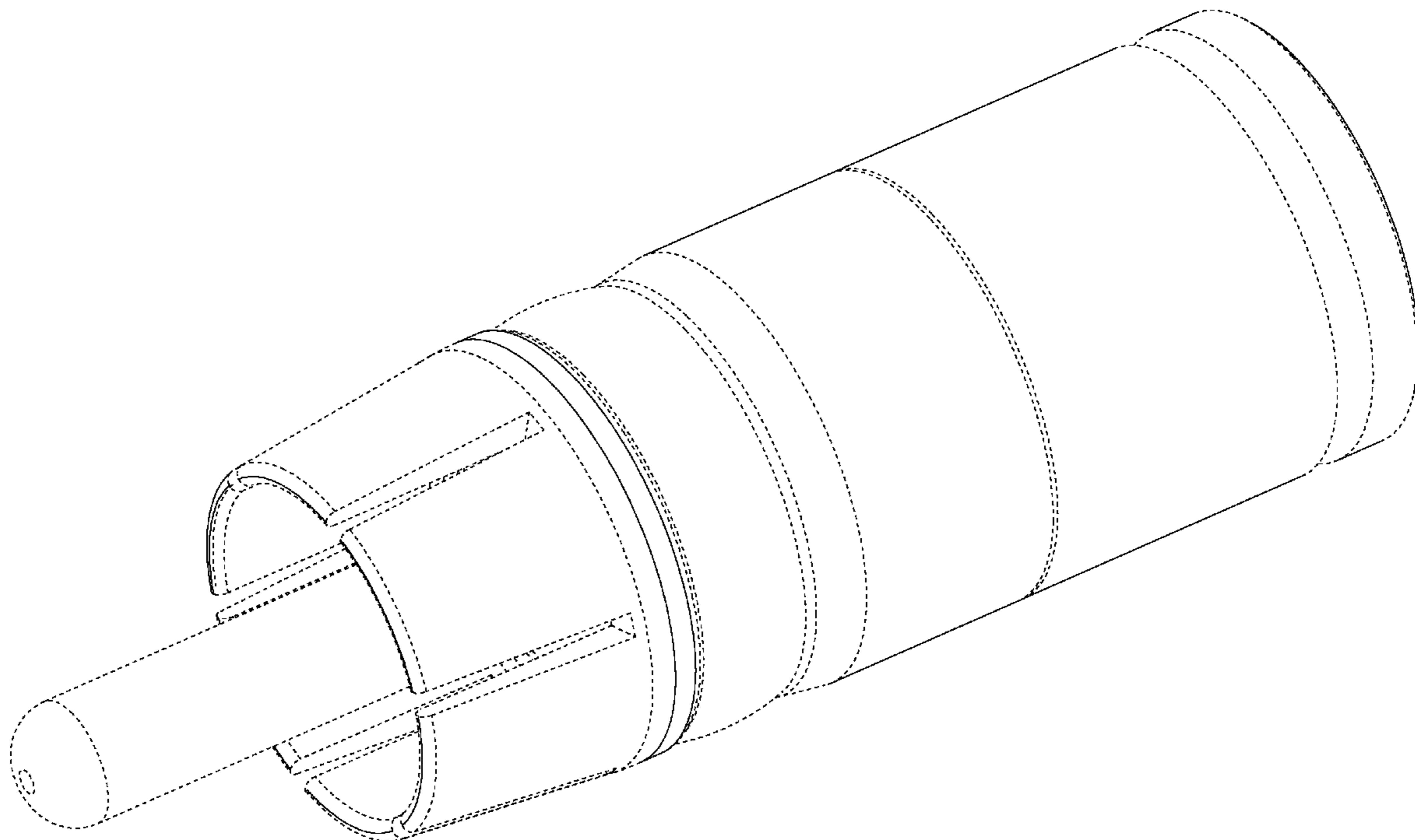
The broken line portion of the figure drawings is included to show unclaimed subject matter only and forms no part of the claimed design.

(56) **References Cited**

U.S. PATENT DOCUMENTS

D325,023 S *	3/1992	Lee et al. ....	D13/133
D367,036 S *	2/1996	Lee .....	D13/133
D371,762 S *	7/1996	Lee .....	D13/133
D376,580 S *	12/1996	Lee .....	D13/133
D403,302 S *	12/1998	Awbrey .....	D13/133
D450,297 S *	11/2001	Lee .....	D13/133
D530,669 S *	10/2006	Shing .....	D13/133

**1 Claim, 5 Drawing Sheets**



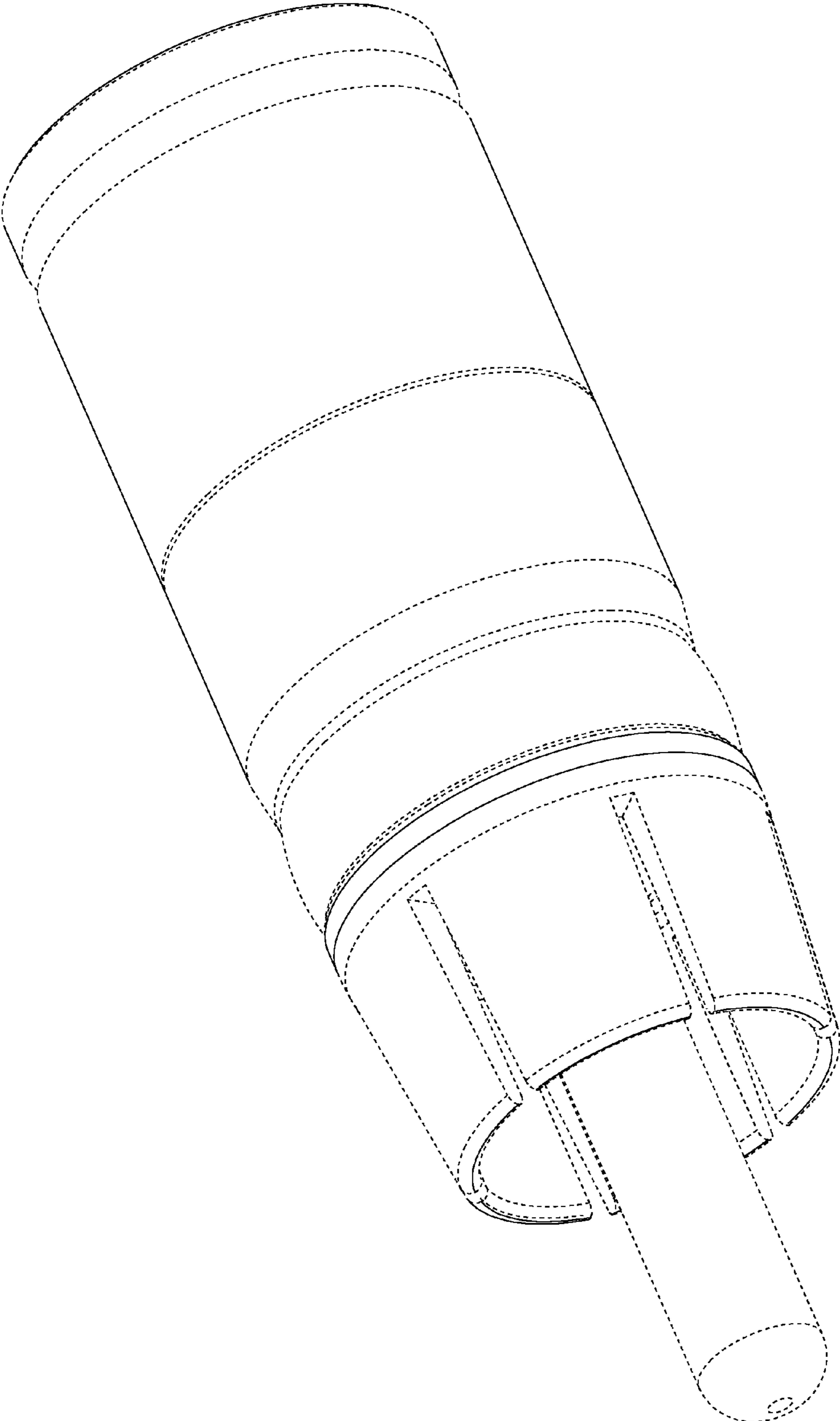


FIG.1

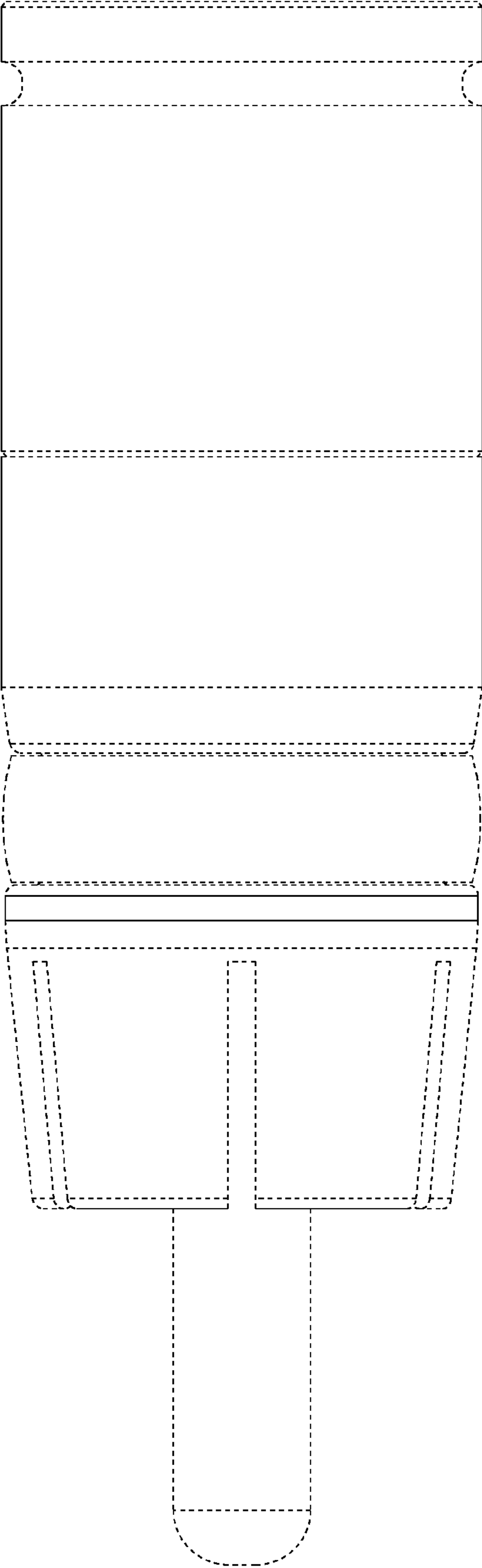


FIG.2

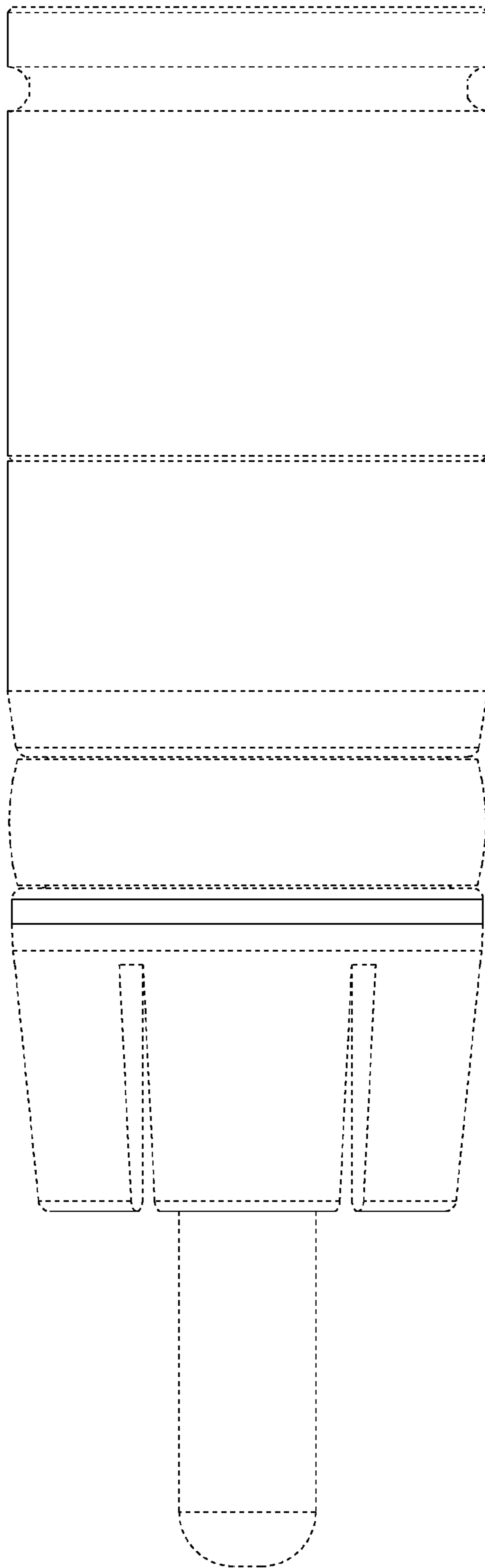


FIG.3

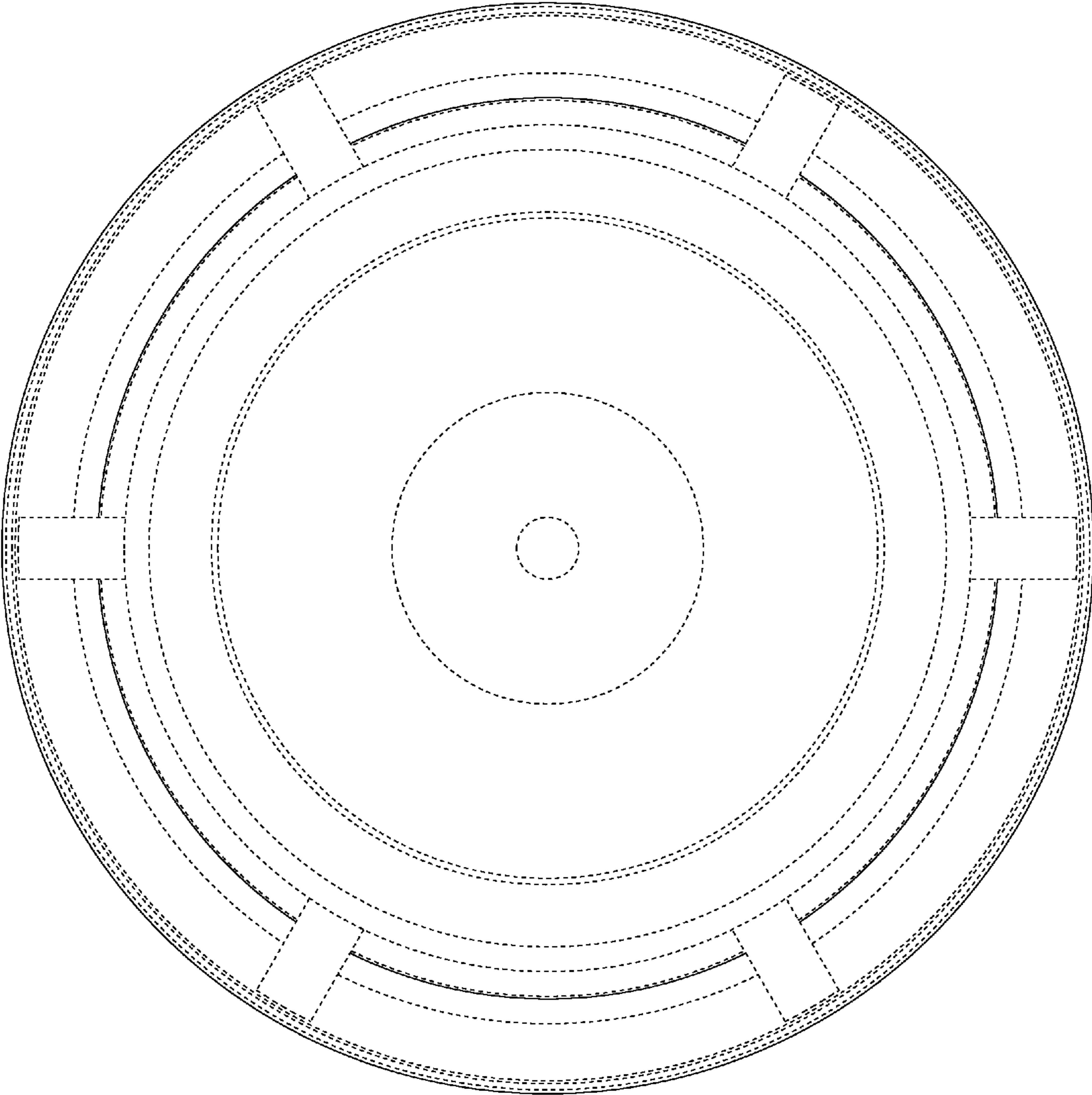


FIG.4

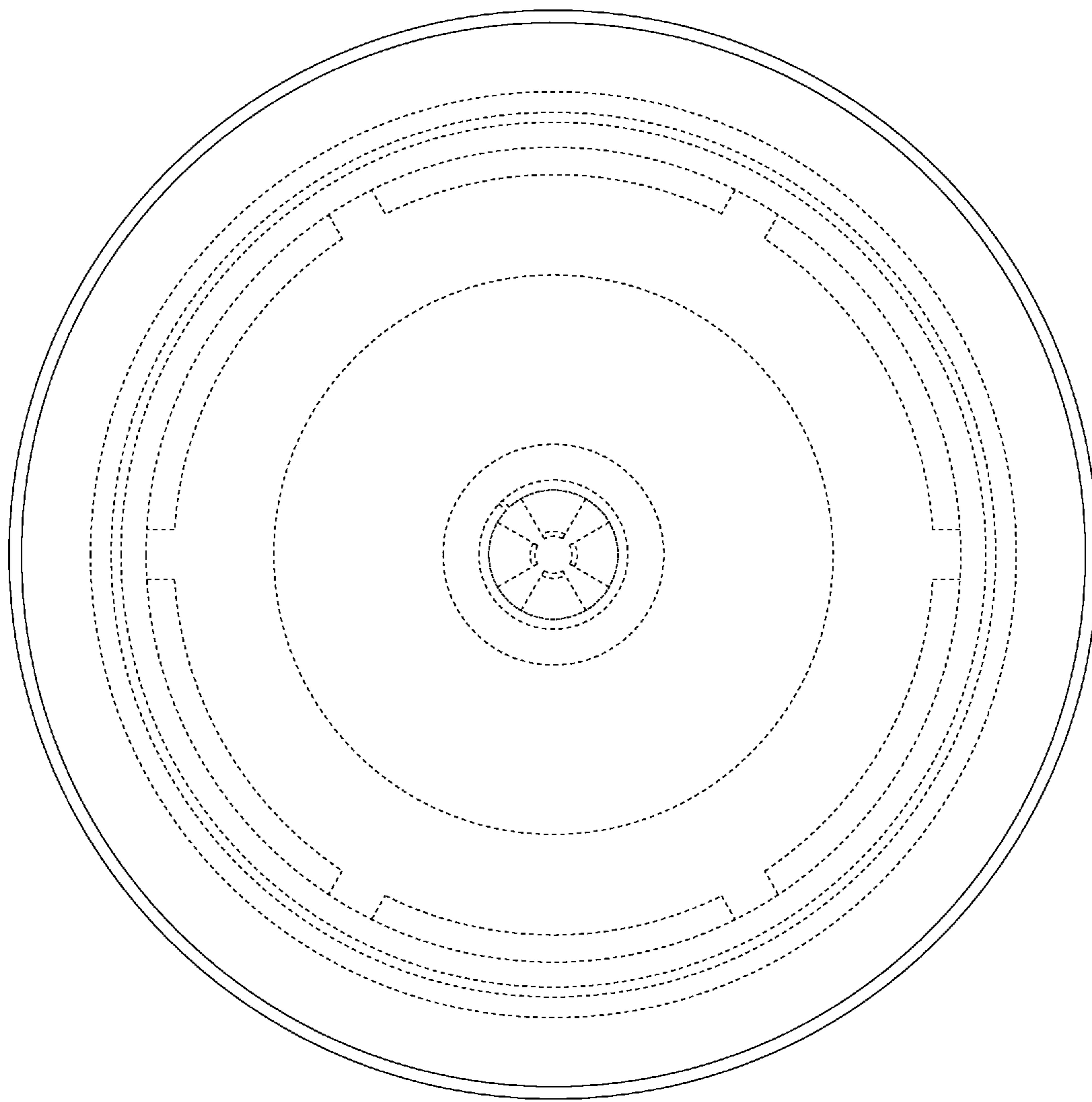


FIG. 5