



US00D623602S

(12) **United States Design Patent**
Amidon

(10) **Patent No.:** **US D623,602 S**

(45) **Date of Patent:** **** Sep. 14, 2010**

(54) **HIGH DEFINITION MULTIMEDIA
INTERFACE CONNECTOR**

(75) Inventor: **Jeremy Amidon**, Marcellus, NY (US)

(73) Assignee: **John Mezzalingua Associates, Inc.**, E.
Syracuse, NY (US)

(**) Term: **14 Years**

(21) Appl. No.: **29/353,035**

(22) Filed: **Dec. 31, 2009**

(51) **LOC (9) Cl.** **13-03**

(52) **U.S. Cl.** **D13/154; D13/147**

(58) **Field of Classification Search** D13/133,
D13/146-147, 153, 154, 156, 184; 439/79,
439/248, 258, 274, 350, 353, 358, 447, 476.1,
439/660, 607.1, 607.2, 607.4, 607.5, 607.17,
439/607.25, 607.34, 607.41, 607.53, 677,
439/680, 682, 686

See application file for complete search history.

(56) **References Cited**

U.S. PATENT DOCUMENTS

D381,629 S *	7/1997	Goto	D13/147
D416,543 S *	11/1999	Tsai	D13/153
D416,869 S *	11/1999	Tsai	D13/153
D451,473 S *	12/2001	Goto	D13/147
D488,779 S *	4/2004	Goto	D13/146

D549,660 S *	8/2007	Zenri et al.	D13/147
D574,774 S *	8/2008	Amidon	D13/133
D574,779 S *	8/2008	Amidon	D13/147
D577,673 S *	9/2008	Amidon	D13/133
D580,861 S *	11/2008	Amidon	D13/133

* cited by examiner

Primary Examiner—Daniel D Bui

(74) *Attorney, Agent, or Firm*—Schmeiser, Olsen & Watts,
LLP

(57) **CLAIM**

The ornamental design for a high definition multimedia inter-
face connector, as shown and described.

DESCRIPTION

FIG. 1 is a front perspective view showing my design for a
high definition multimedia interface connector;

FIG. 2 is a top view thereof;

FIG. 3 is a bottom view thereof;

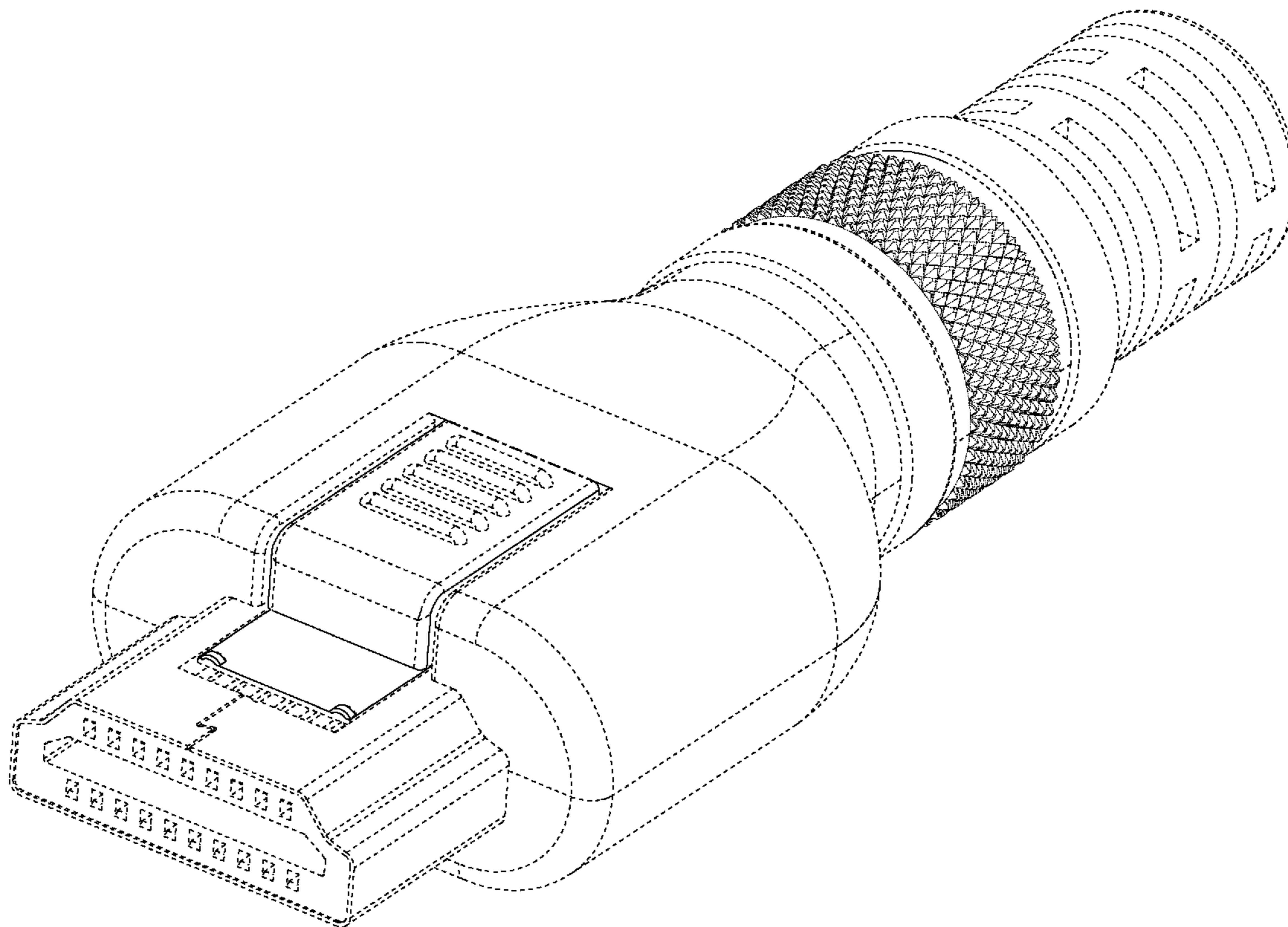
FIG. 4 is a right side view thereof, the claimed portion of
which is a minor image to a left side view;

FIG. 5 is a front view thereof on a larger scale; and,

FIG. 6 is a rear view thereof.

The broken line portion of the figure drawings is included to
show unclaimed subject matter only and forms no part of the
claimed design.

1 Claim, 6 Drawing Sheets



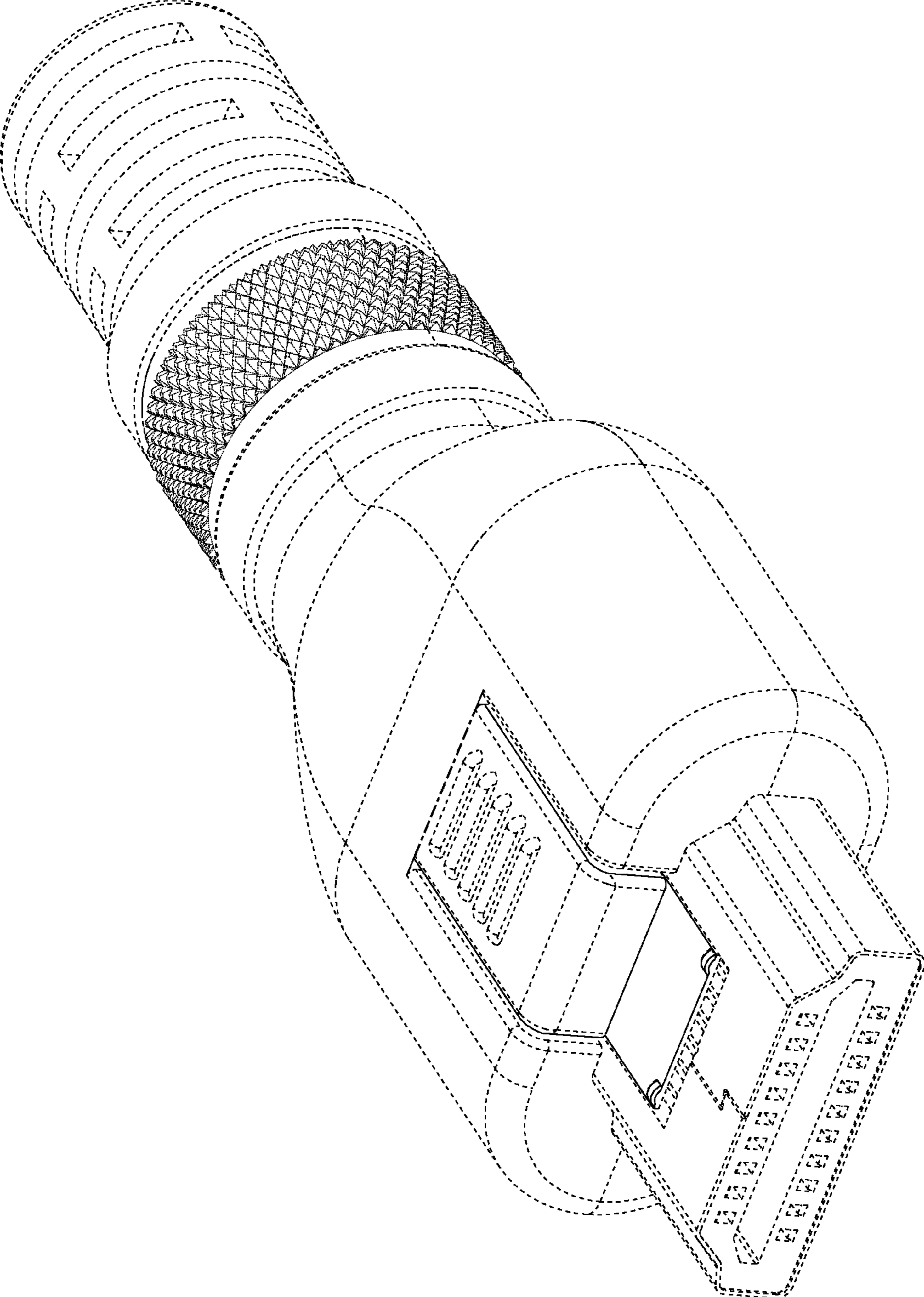


FIG.1

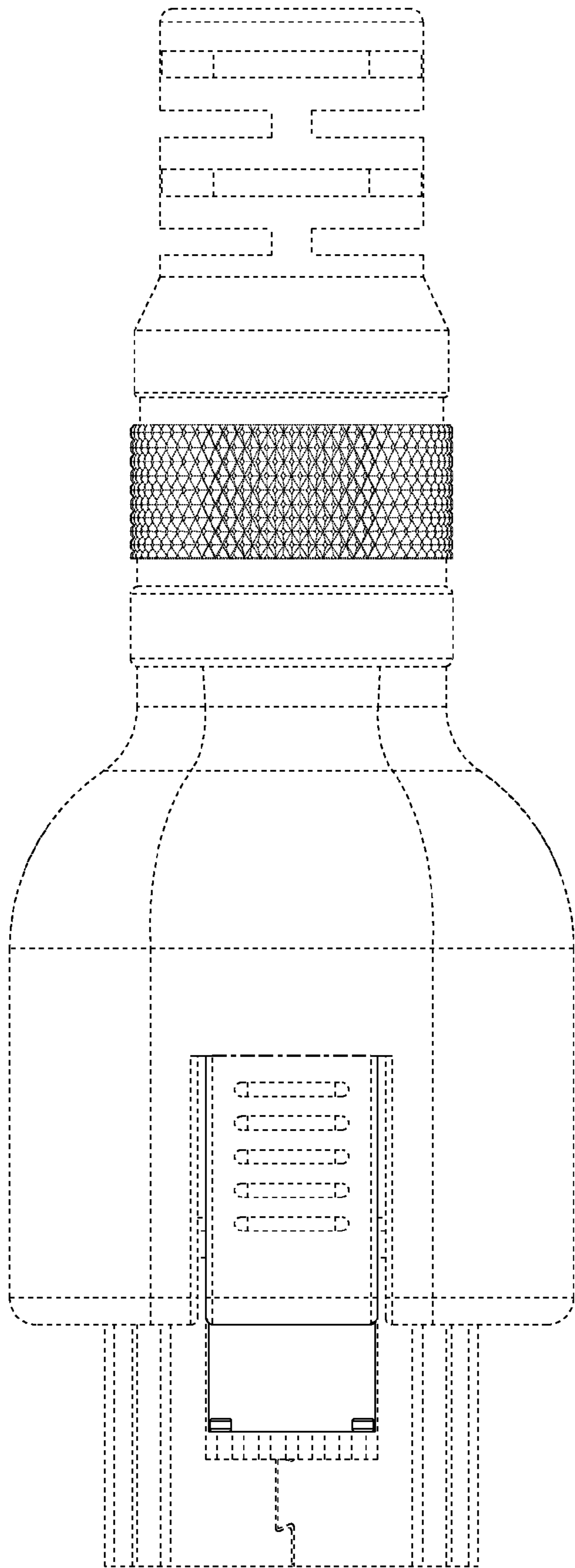


FIG.2

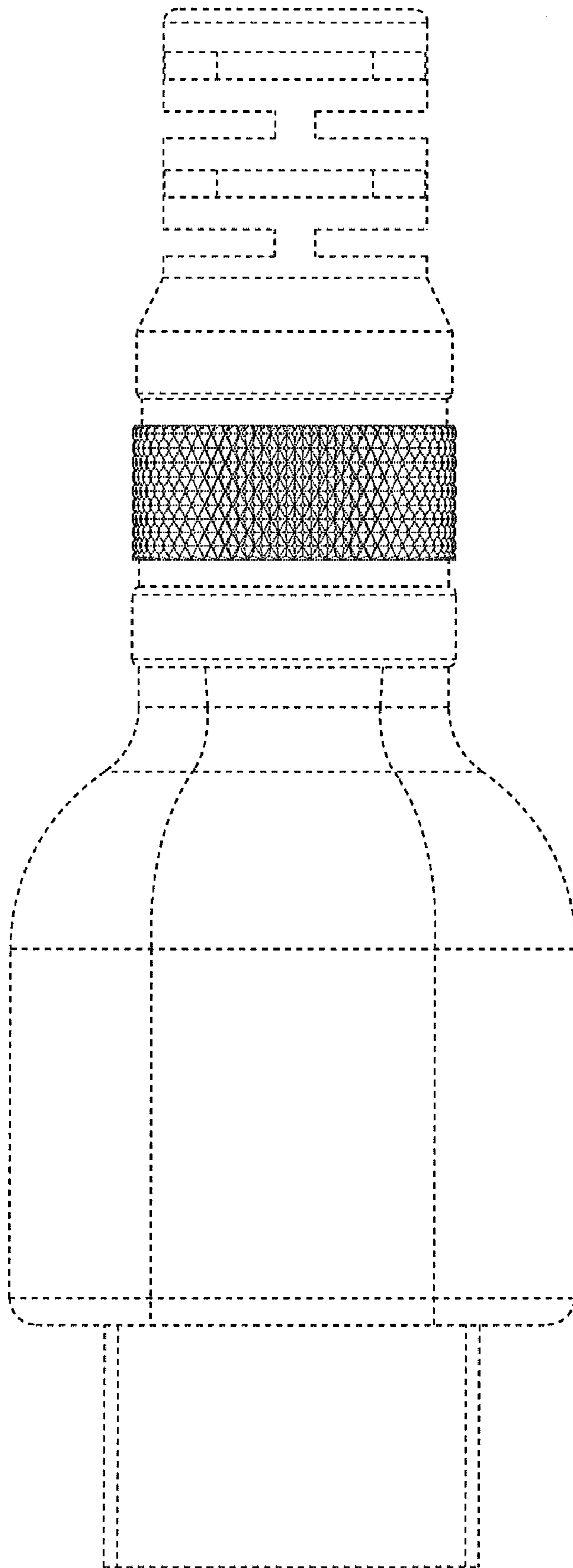


FIG.3

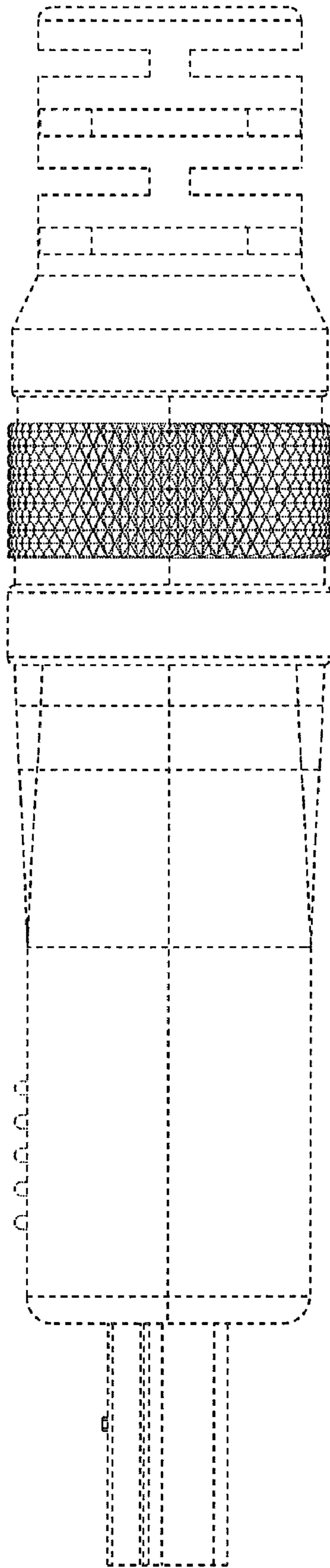


FIG.4

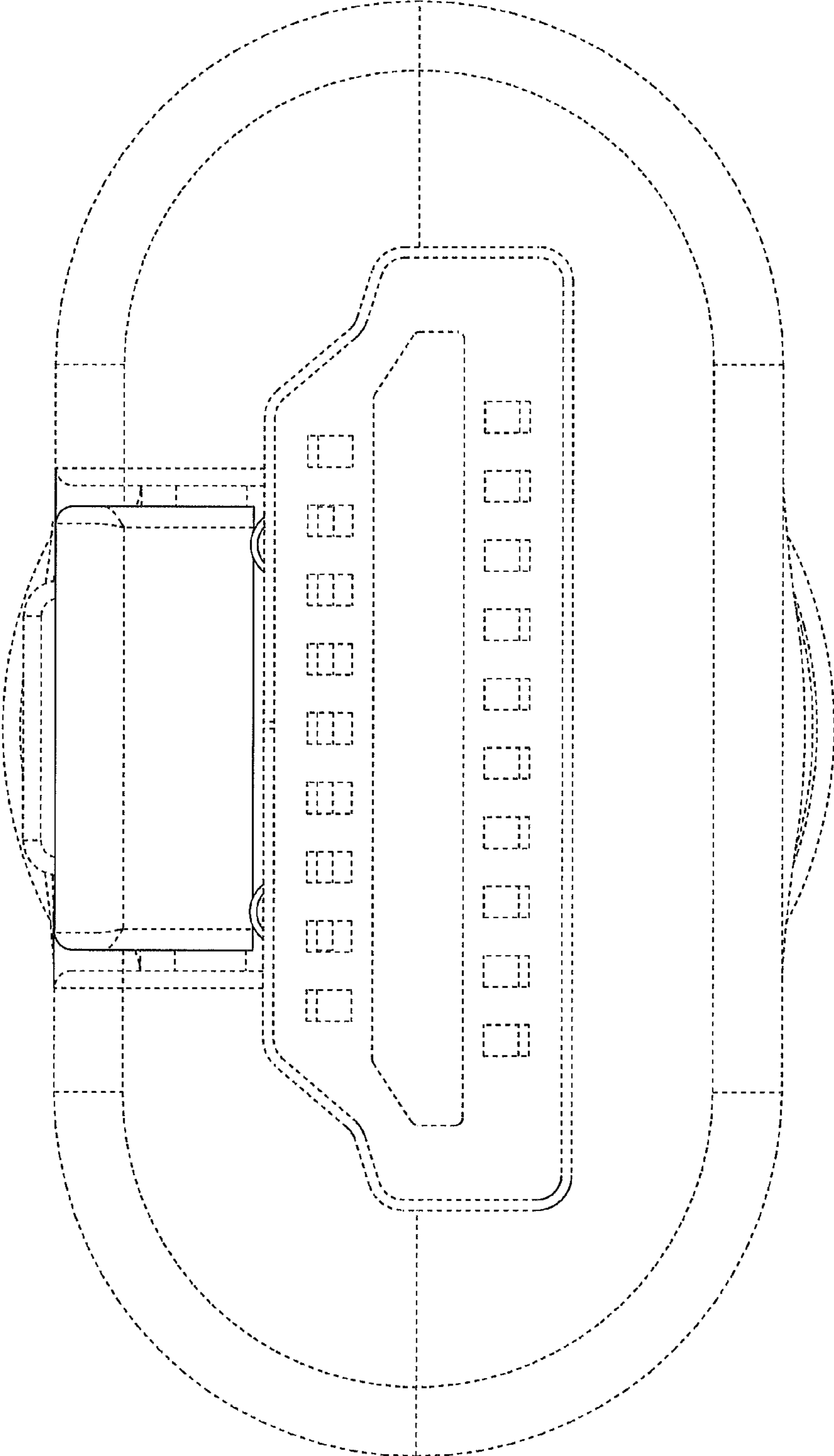


FIG.5

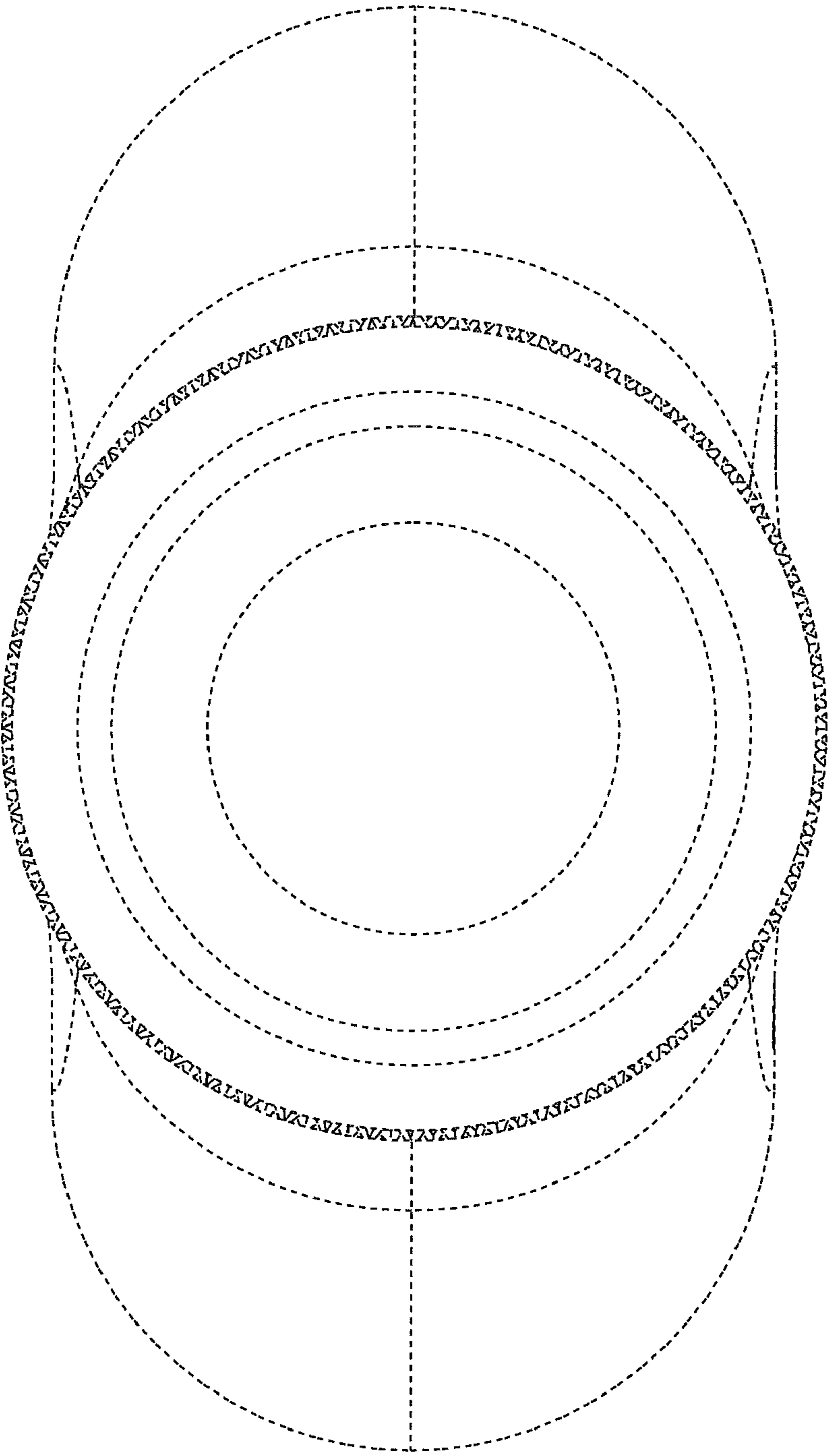


FIG.6