



US00D623600S

(12) **United States Design Patent**
Baker

(10) **Patent No.:** **US D623,600 S**

(45) **Date of Patent:** **** Sep. 14, 2010**

(54) **CABLE IRON CROSS**

(76) **Inventor:** **Dale A. Baker**, 1393 E. Highland Rd.,
Twinsburg, OH (US) 44087

(**) **Term:** **14 Years**

(21) **Appl. No.:** **29/299,537**

(22) **Filed:** **Dec. 28, 2007**

(51) **LOC (9) Cl.** **13-03**

(52) **U.S. Cl.** **D13/154; D13/133**

(58) **Field of Classification Search** D13/133,
D13/151, 154, 199; 439/13, 20, 22, 135,
439/246, 306, 480, 476.1, 578, 583-585,
439/805; D26/73, 4; 362/653; 343/713;
156/63

See application file for complete search history.

(56) **References Cited**

U.S. PATENT DOCUMENTS

D215,200 S *	9/1969	Dobyns	D9/667
D434,009 S	11/2000	Lee		
D513,697 S	1/2006	Elwell		
D516,509 S *	3/2006	Baker	D13/133
D520,458 S	5/2006	Wada		
D531,580 S	11/2006	Nishio		
D557,659 S	12/2007	Ashida		
D582,349 S *	12/2008	Baker	D13/154
D582,350 S *	12/2008	Baker	D13/154
D585,432 S *	1/2009	Baker	D14/223
D585,433 S *	1/2009	Baker	D14/223

D597,033 S *	7/2009	Baker	D13/154
D610,549 S *	2/2010	Baker	D13/154
D611,000 S *	3/2010	Baker	D13/154
D611,221 S *	3/2010	Parks	D99/5

* cited by examiner

Primary Examiner—Daniel D Bui

Assistant Examiner—Thomas J Johannes

(74) *Attorney, Agent, or Firm*—Larson & Larson, P.A.; Frank Liebenow

(57) **CLAIM**

The ornamental design for a cable iron cross, as shown and described.

DESCRIPTION

FIG. 1 is a front elevation view of a cable iron cross showing my new design;

FIG. 2 is a rear elevation view thereof;

FIG. 3 is a right side elevation view thereof;

FIG. 4 is a left side elevation view thereof;

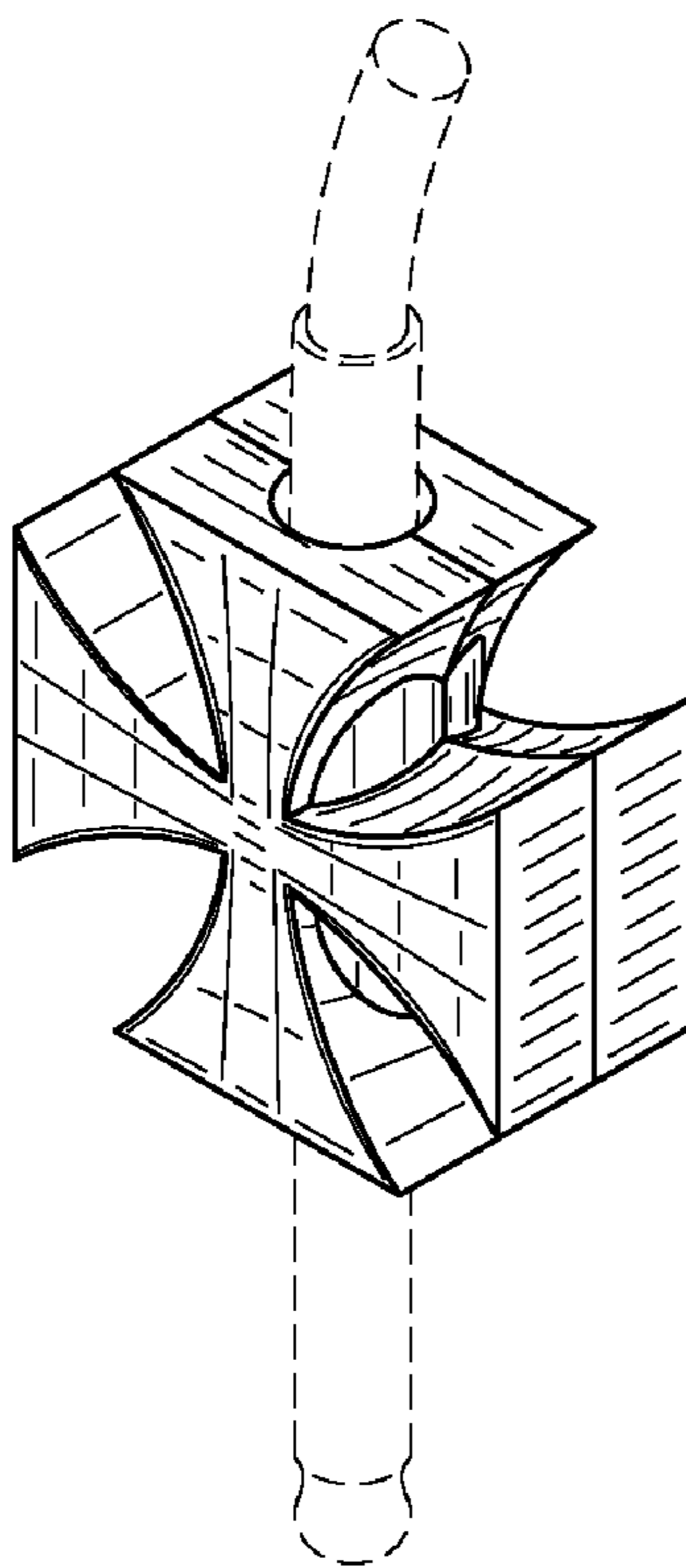
FIG. 5 is a top plan view thereof;

FIG. 6 is a bottom plan view thereof; and,

FIG. 7 is a perspective view thereof.

The broken line portion of the figure drawings is included to show unclaimed subject matter only and forms no part of the claimed design.

1 Claim, 3 Drawing Sheets



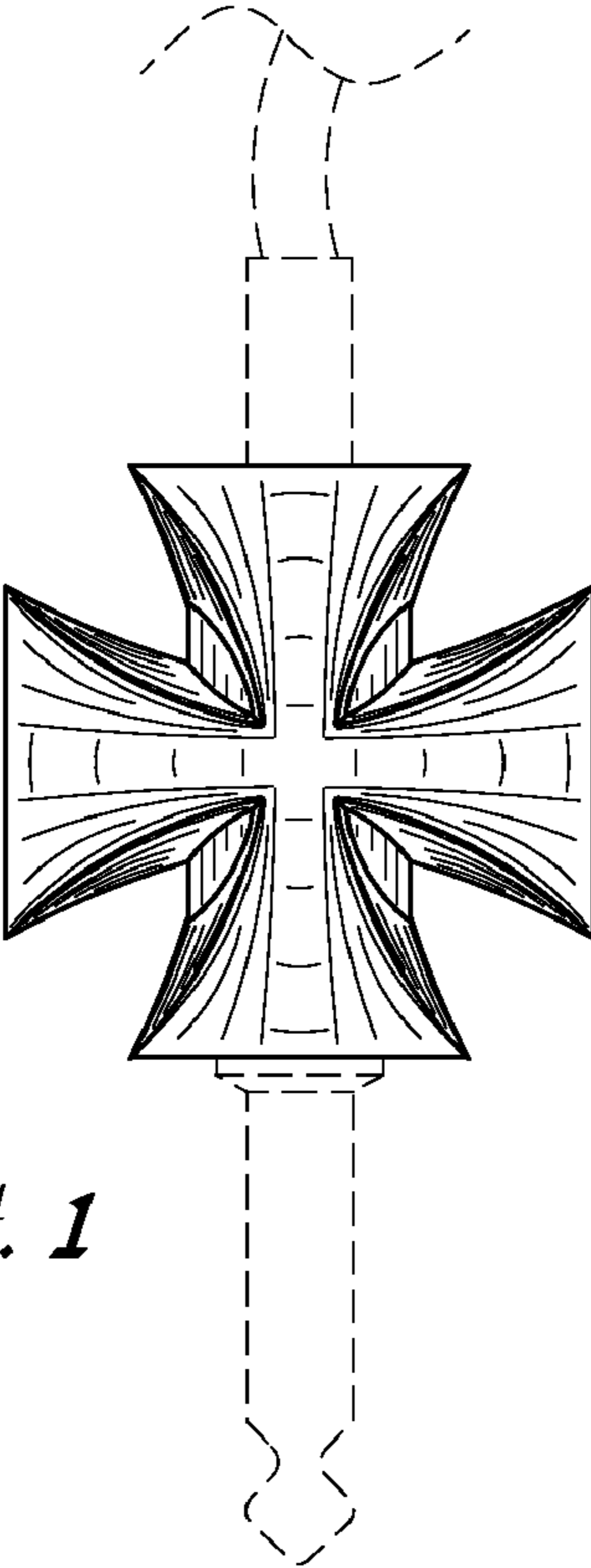


FIG. 1

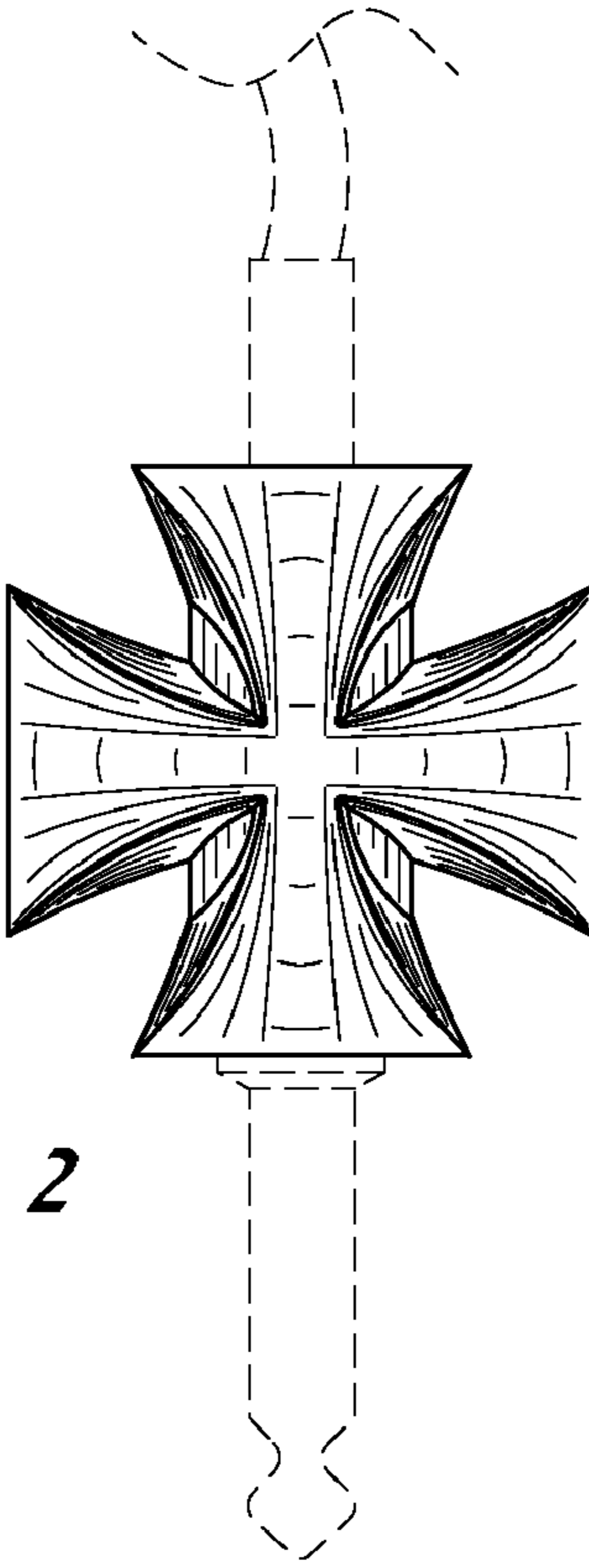


FIG. 2

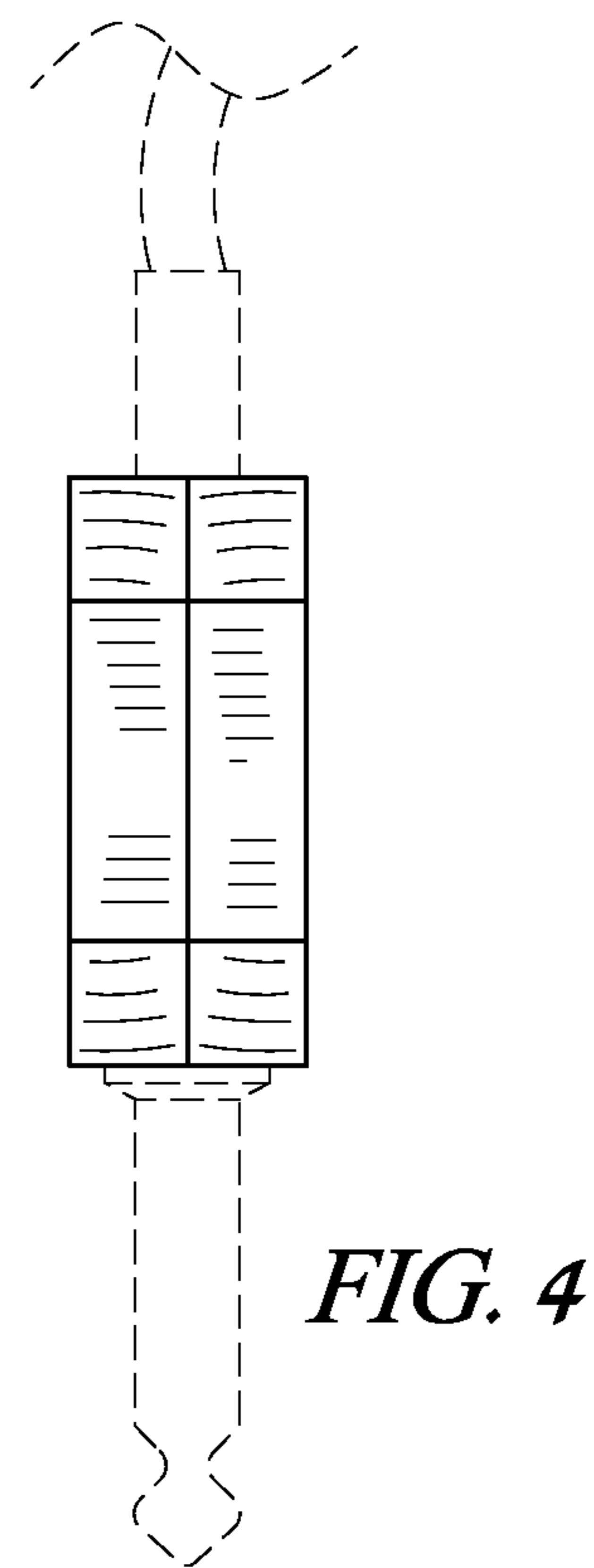
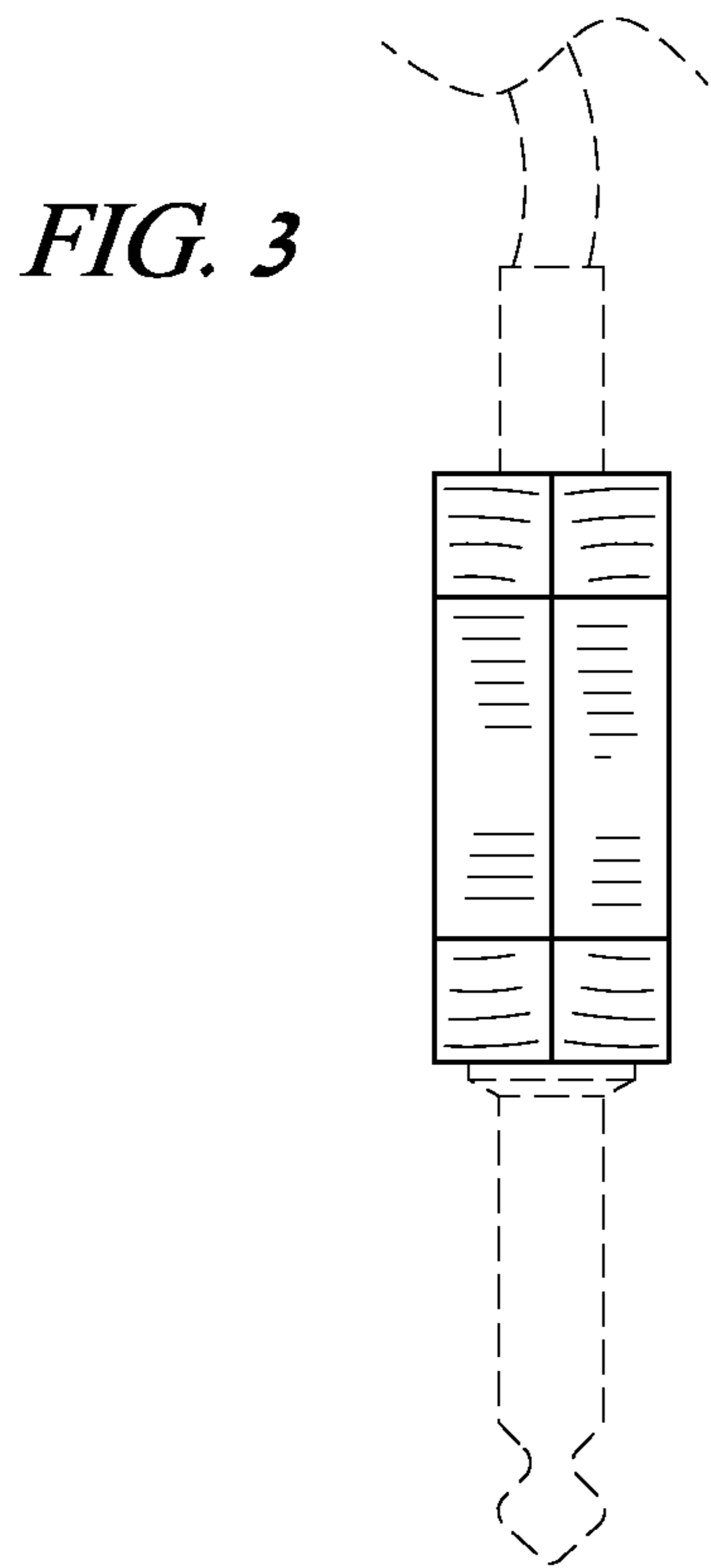


FIG. 5

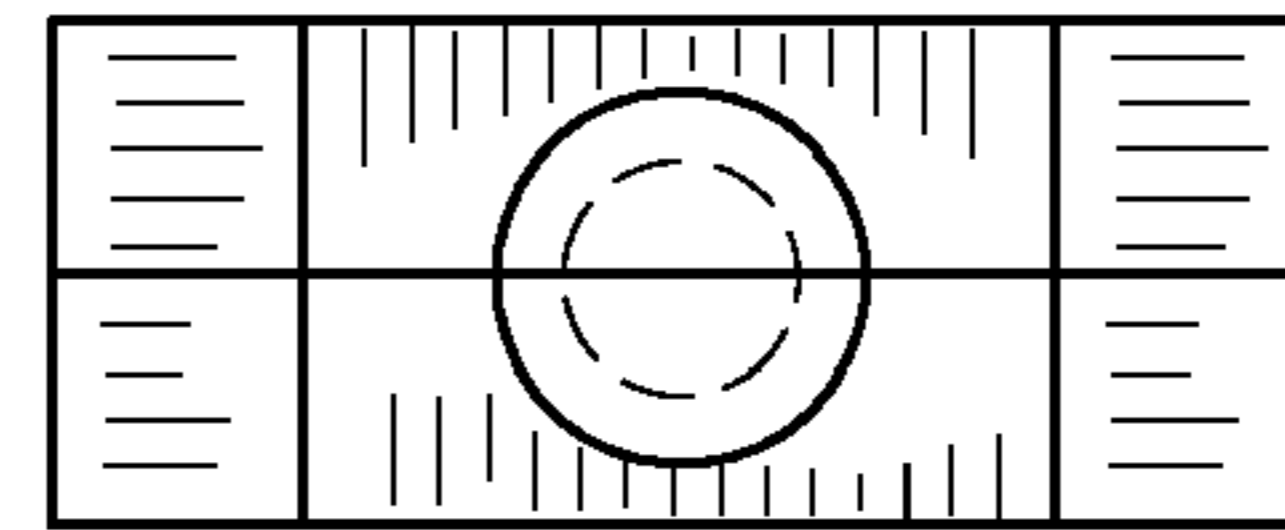
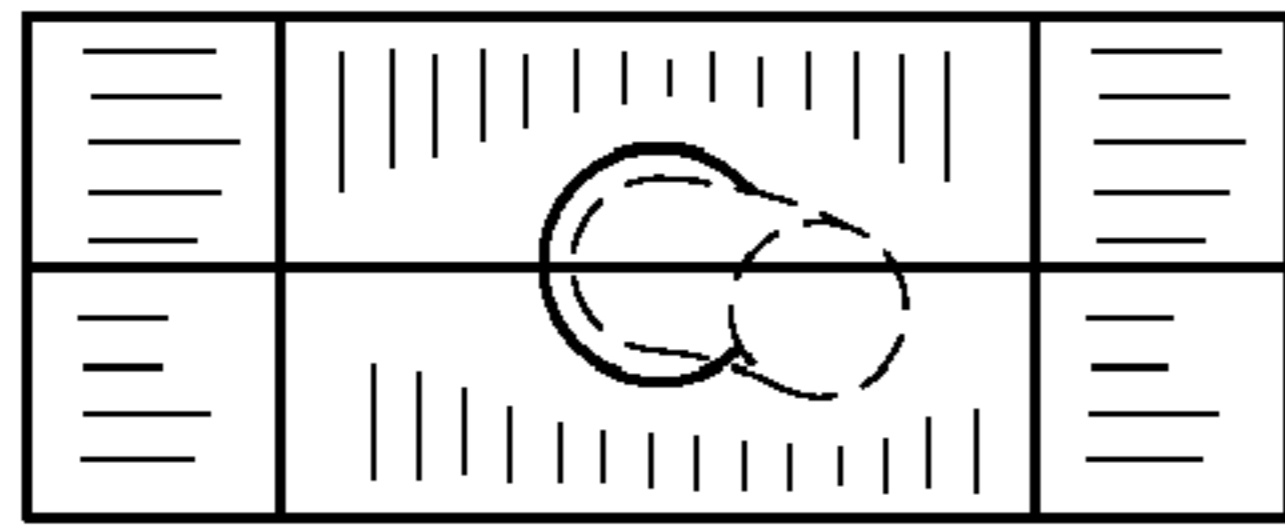


FIG. .6

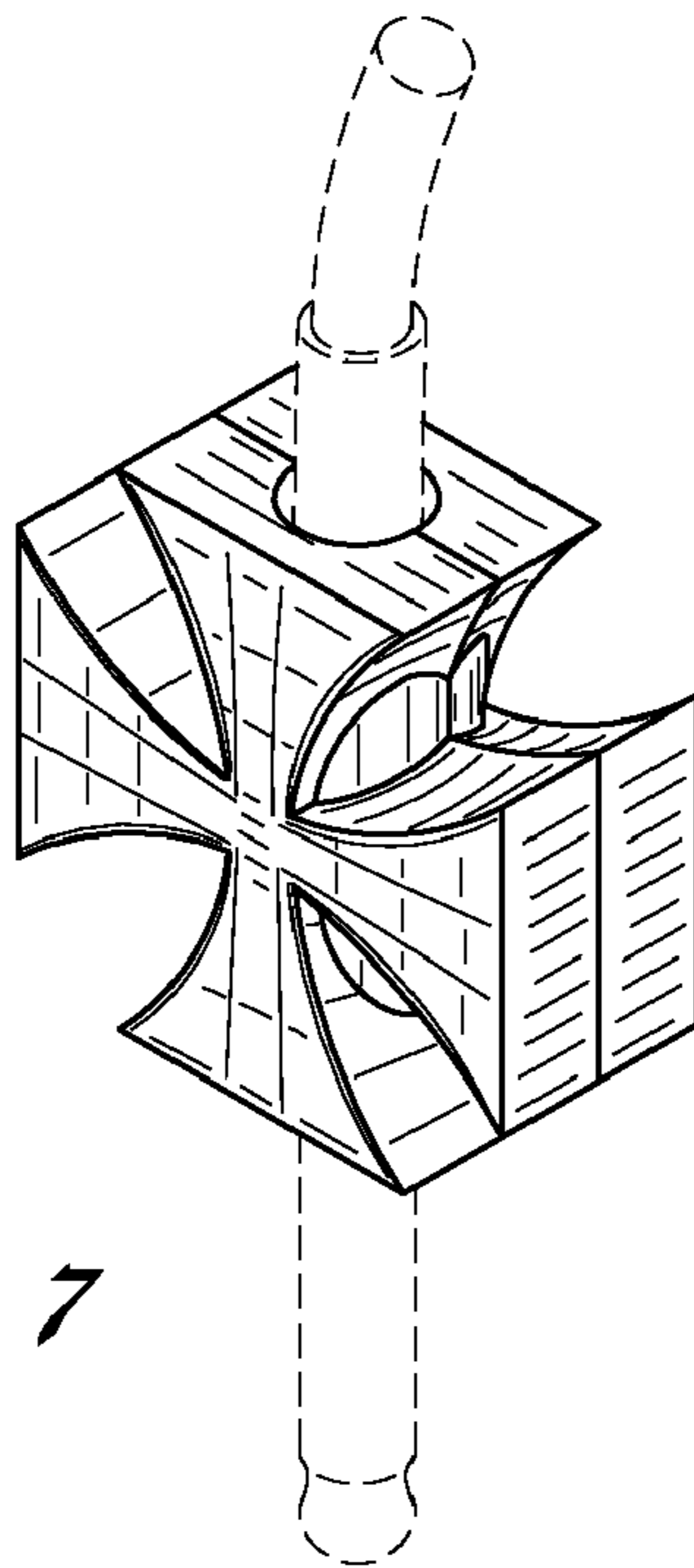


FIG. 7