



US00D623598S

(12) **United States Design Patent**
Kondo

(10) **Patent No.:** **US D623,598 S**

(45) **Date of Patent:** **** Sep. 14, 2010**

(54) **ADAPTER**

(75) Inventor: **Hayato Kondo, Yao (JP)**

(73) Assignee: **Hosiden Corporation, Yao-shi (JP)**

(**) Term: **14 Years**

(21) Appl. No.: **29/311,842**

(22) Filed: **Jul. 8, 2009**

(30) **Foreign Application Priority Data**

Jan. 9, 2009 (JP) 2009-000344

(51) **LOC (9) Cl.** **13-03**

(52) **U.S. Cl.** **D13/151**

(58) **Field of Classification Search** D13/133,
D13/146, 147, 151, 154, 158, 184, 199; D14/125,
D14/217, 230, 239, 299; 174/59; 333/100,
333/101, 206; 439/63, 579, 578, 581, 709
See application file for complete search history.

(56) **References Cited**

U.S. PATENT DOCUMENTS

D396,691 S * 8/1998 Shen D13/147
D404,713 S * 1/1999 Hsiang D13/147
D409,985 S * 5/1999 Hsiang D13/151
D452,682 S * 1/2002 Inoue D13/151
D452,850 S * 1/2002 Inoue D13/151
D506,445 S * 6/2005 Mahoney D13/154
D521,939 S * 5/2006 Mahoney D13/151

D532,385 S * 11/2006 Shapson D14/125
D607,413 S * 1/2010 Egan et al. D13/151

* cited by examiner

Primary Examiner—Daniel D Bui

Assistant Examiner—Thomas J Johannes

(74) *Attorney, Agent, or Firm*—Kratz, Quintos & Hanson, LLP

(57) **CLAIM**

The ornamental design for an adapter, as shown and described.

DESCRIPTION

FIG. 1 is a front elevational view of the adapter showing my new design;

FIG. 2 is a rear elevational view thereof;

FIG. 3 is a top plan view thereof;

FIG. 4 is a bottom plan view thereof;

FIG. 5 is a right side elevational view thereof;

FIG. 6 is a left side elevational view thereof;

FIG. 7 is a top, front and right side perspective view thereof; and,

FIG. 8 is a bottom, rear and left side perspective view thereof.

The broken line portion of the figure drawings is included to show unclaimed subject matter only and forms no part of the claimed design.

1 Claim, 8 Drawing Sheets

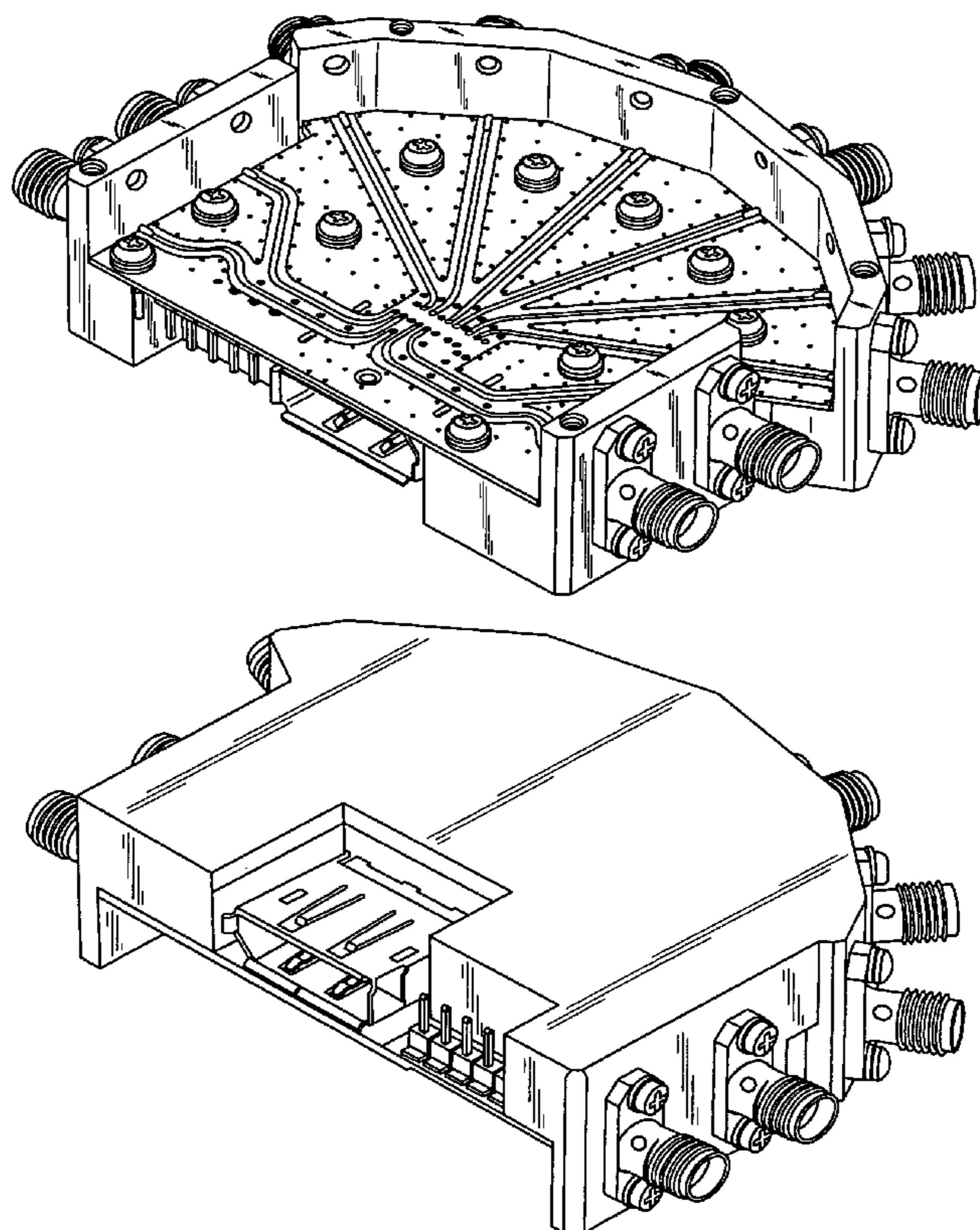


FIG. 1

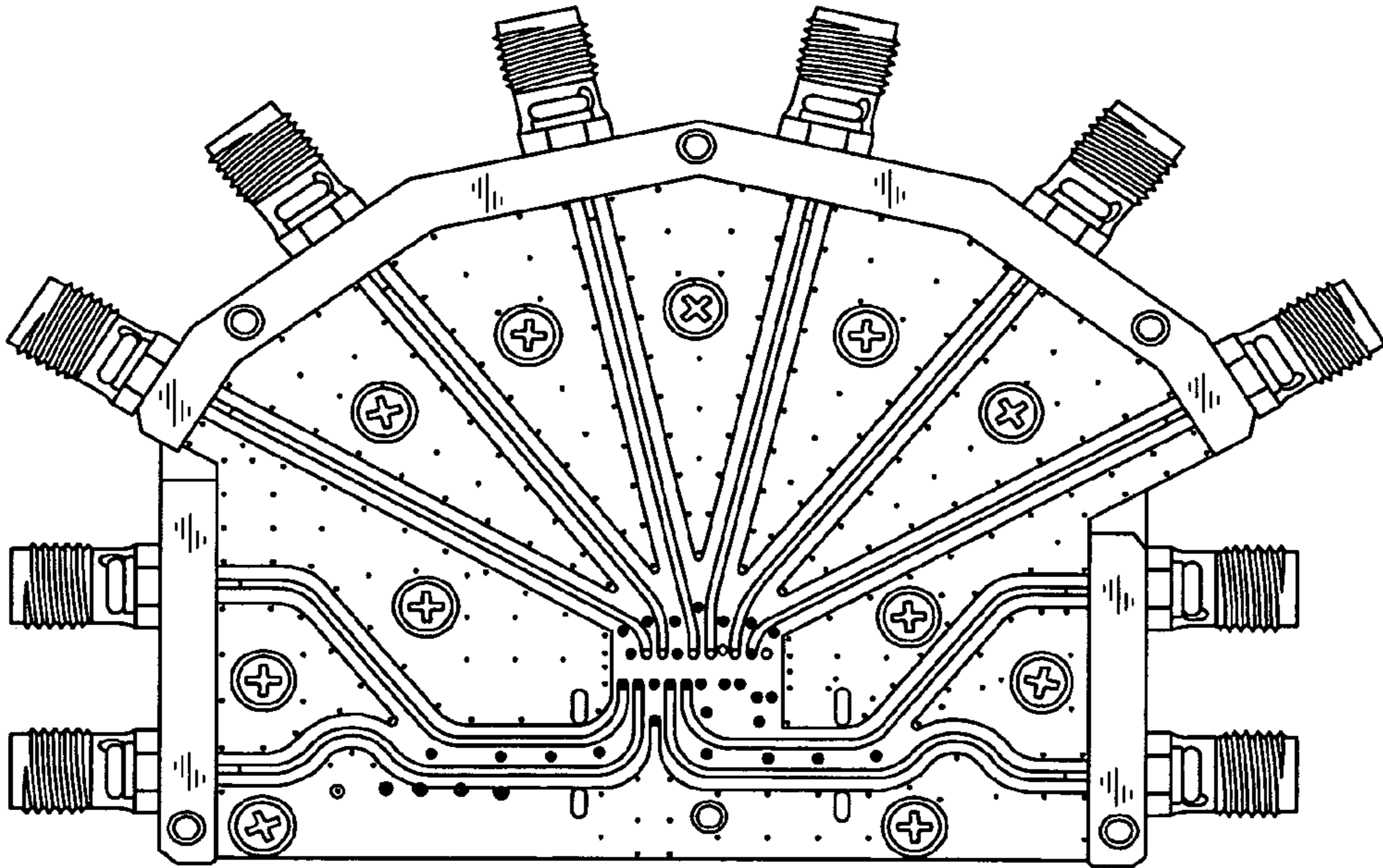


FIG.2

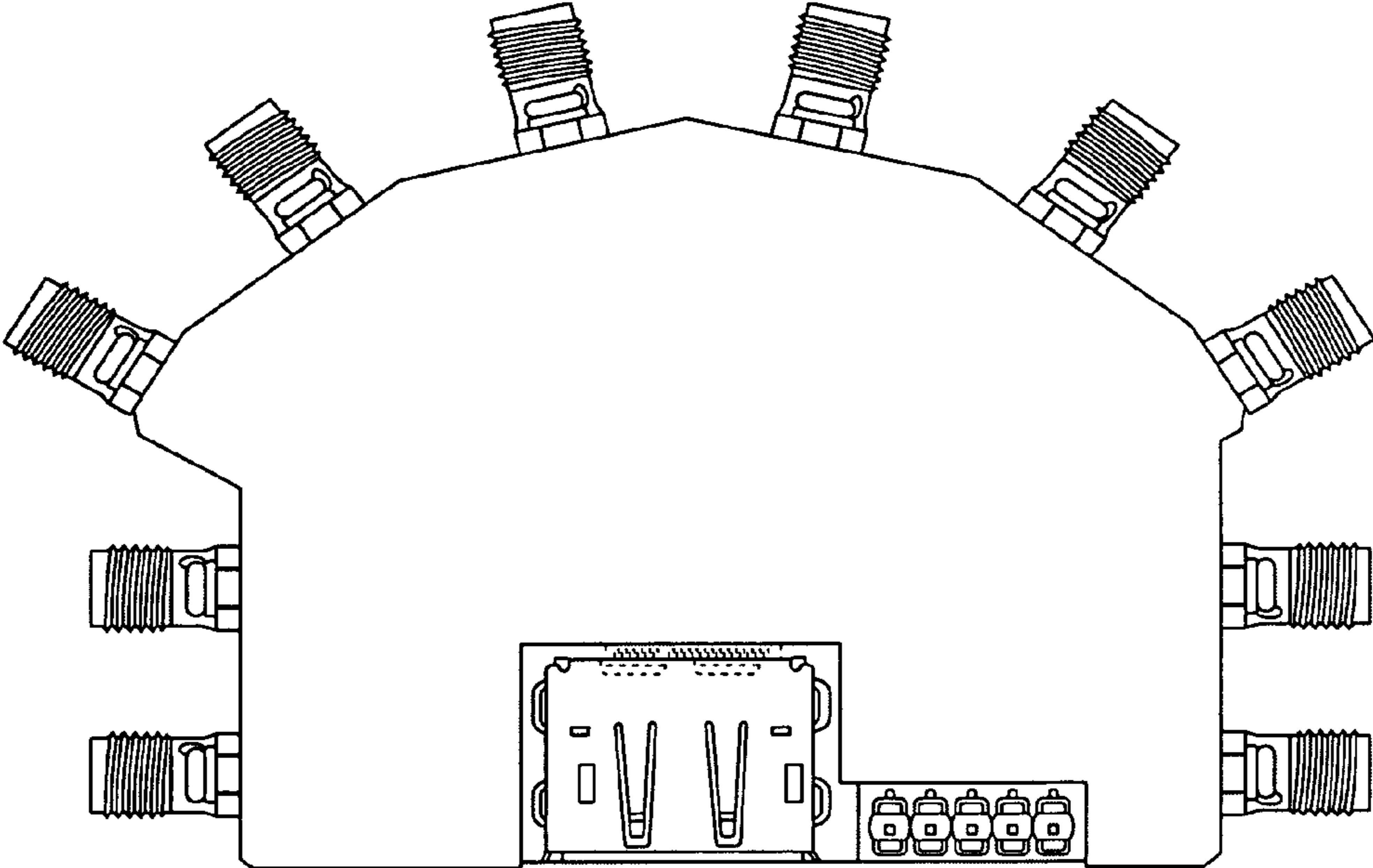


FIG.3

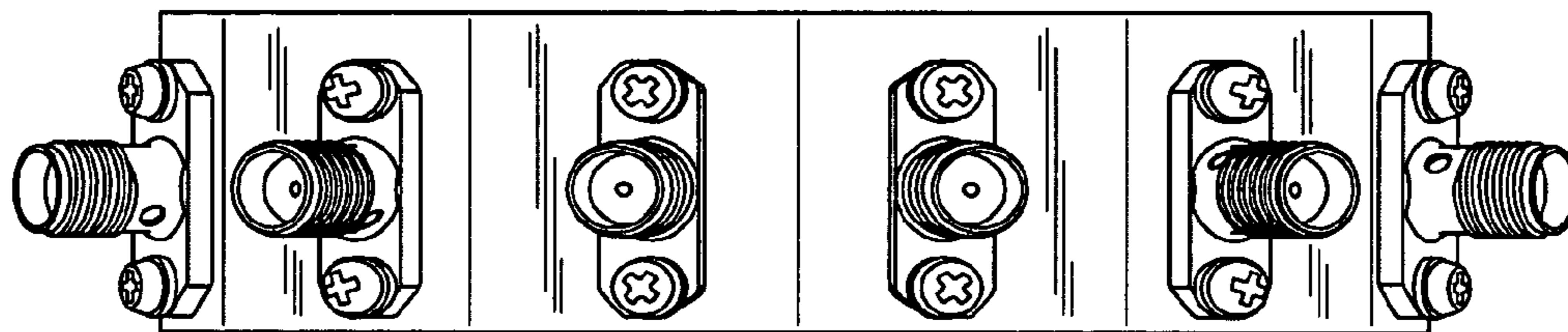


FIG.4

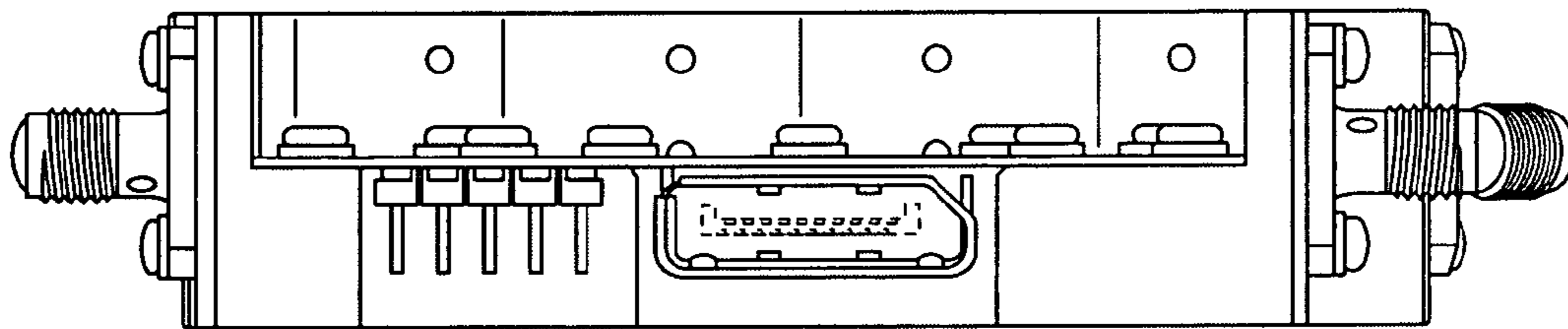


FIG. 5

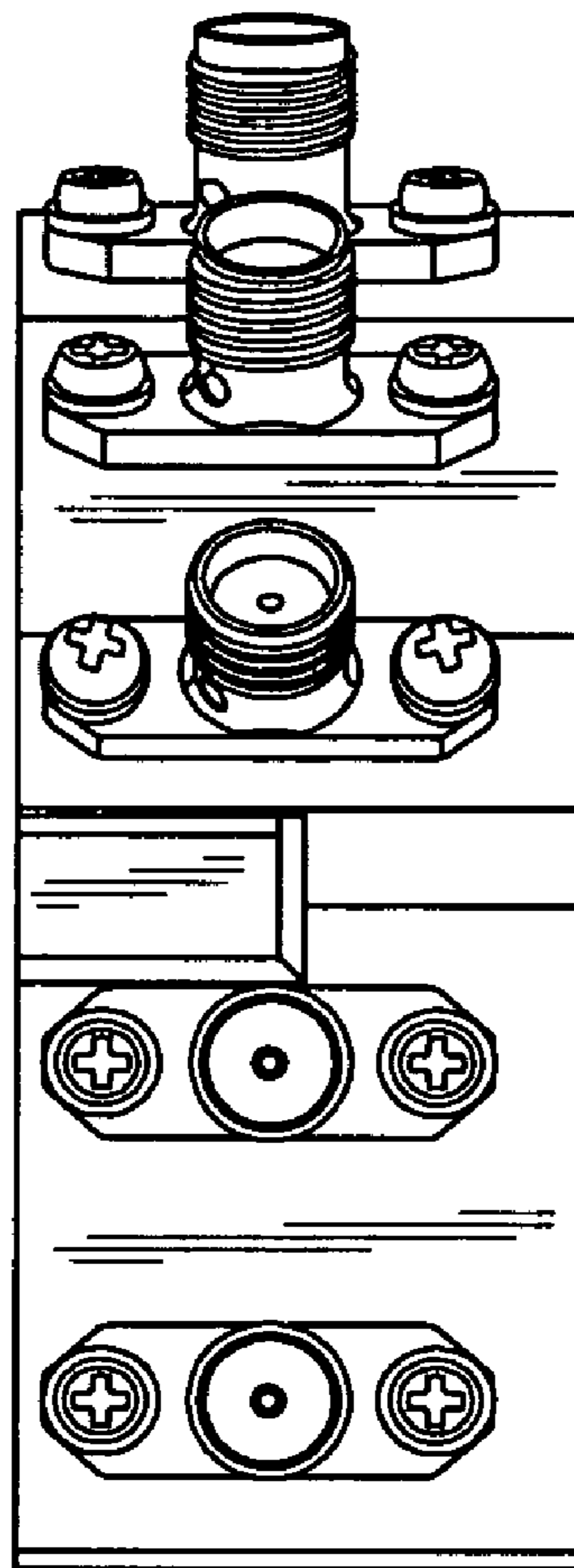


FIG.6

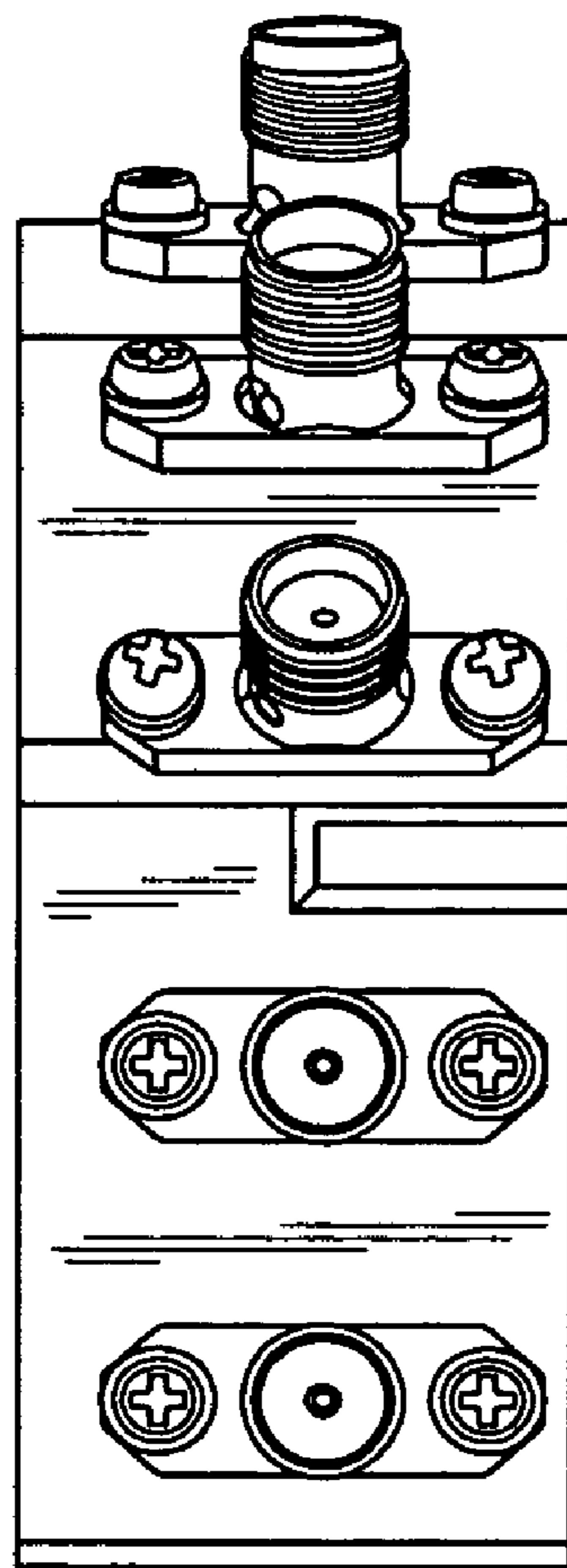


FIG. 7

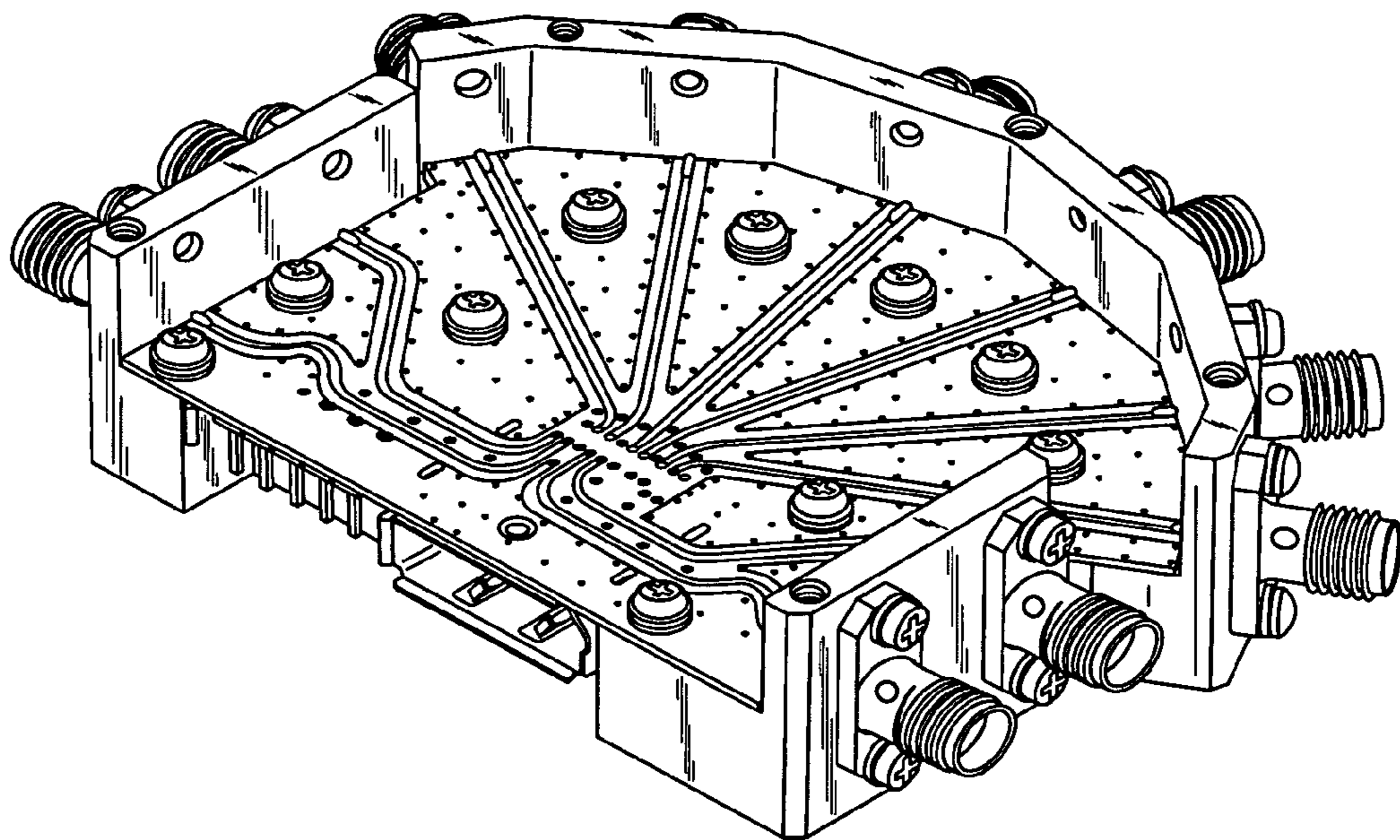


FIG.8

