



US00D623595S

(12) **United States Design Patent**
Ruffner

(10) **Patent No.:** **US D623,595 S**

(45) **Date of Patent:** **** Sep. 14, 2010**

(54) **TRAVEL ADAPTER**

(76) **Inventor:** **Walter Ruffner**, P.O. Box 93, Jolly Harbour (AG)

(**) **Term:** **14 Years**

(21) **Appl. No.:** **29/320,902**

(22) **Filed:** **Jul. 8, 2008**

(51) **LOC (9) Cl.** **13-03**

(52) **U.S. Cl.** **D13/139.1; D13/137.2; D13/110**

(58) **Field of Classification Search** D13/138.1, D13/138.2, 139.1, 139.2, 139.3, 139.4, 139.5, D13/139.6, 139.7, 139.8, 137.1, 137.2, 137.3, D13/137.4, 107, 108, 110, 133, 146, 151, D13/152, 153, 156, 162, 162.1, 163, 171, D13/177; 174/66, 202, 206, 53, 59, 60; 363/146, 363/15, 34; 320/111, 114, 115; 439/108, 439/172, 173, 344, 373

See application file for complete search history.

(56) **References Cited**

U.S. PATENT DOCUMENTS

4,626,052	A *	12/1986	Rumble	439/173
D381,624	S *	7/1997	Muller et al.	D13/110
5,851,123	A *	12/1998	Chou	439/172
D421,960	S *	3/2000	Savicki et al.	D13/138.2
D446,187	S *	8/2001	Lam et al.	D13/137.2
6,330,144	B1 *	12/2001	Lee et al.	361/115
D480,358	S *	10/2003	Klant	D13/110
6,699,052	B1 *	3/2004	Poran	439/172
7,220,139	B1 *	5/2007	Chang et al.	439/172

D561,694	S *	2/2008	Lam	D13/137.1
D574,321	S *	8/2008	Osiecki et al.	D13/107
D595,230	S *	6/2009	Peck	D13/139.1
D609,642	S *	2/2010	Gandolfi et al.	D13/137.2

OTHER PUBLICATIONS

Swiss Travel Products, World Travel Adapter 2, May 12, 2009, http://swissworldtravel.com/index.php?main_page=product_info&cPath=1&products_id=8&zenid=5epethbav2tIgtmtca7qveq571.*

* cited by examiner

Primary Examiner—Jennifer Rivard

Assistant Examiner—Angela J Lee

(74) *Attorney, Agent, or Firm*—Grossman, Tucker, Perreault & Pflieger, PLLC

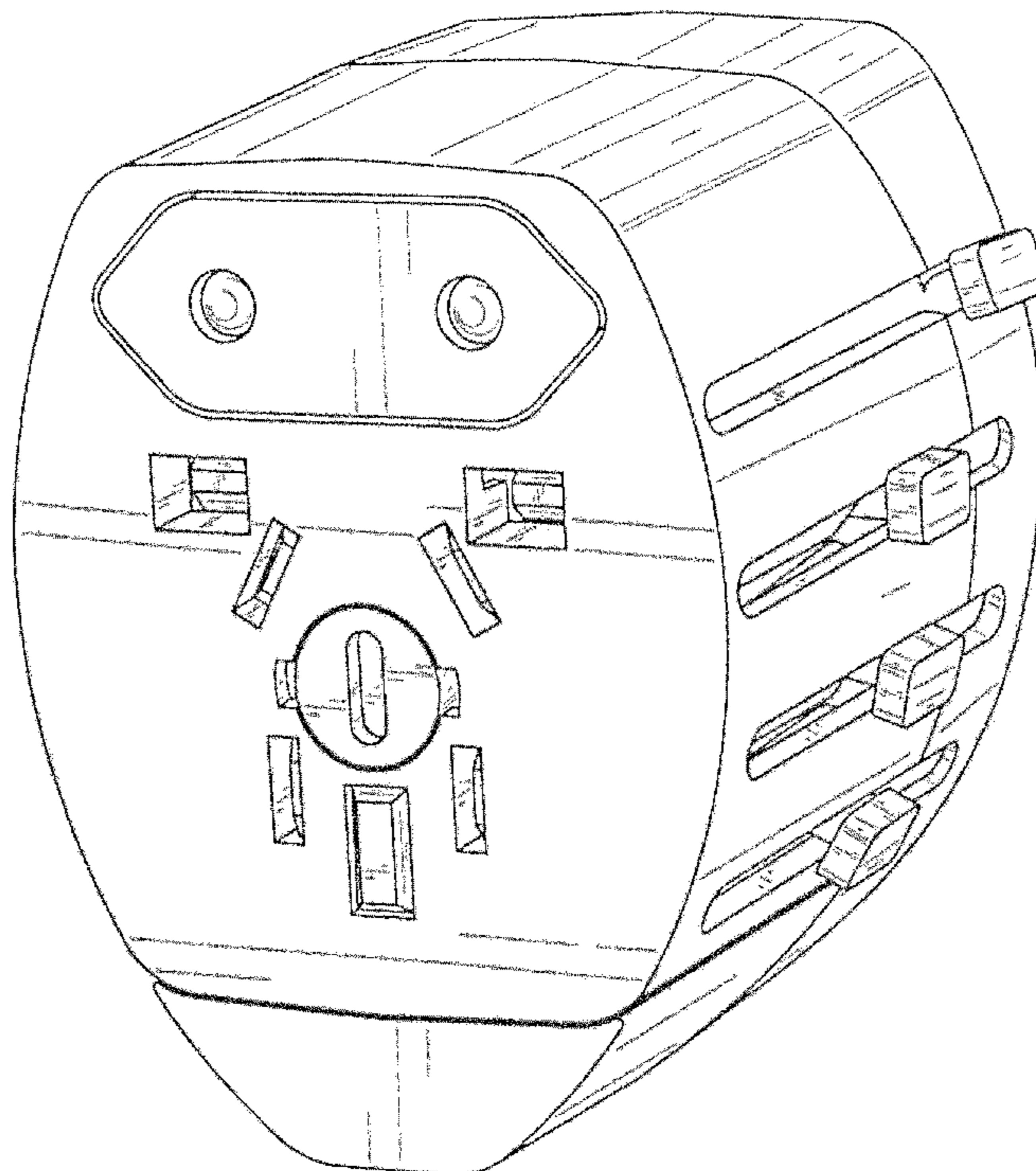
(57) **CLAIM**

The ornamental design for a travel adapter, as shown and described.

DESCRIPTION

FIG. 1 is a perspective top end view of the travel adapter; FIG. 2 is a top end view of the travel adapter shown in FIG. 1; FIG. 3 is a bottom end view of the travel adapter shown in FIG. 1; FIG. 4 is a left side view of the travel adapter shown in FIG. 1; FIG. 5 is a right view of the travel adapter shown in FIG. 1; FIG. 6 is a rear view of the travel adapter shown in FIG. 1; and, FIG. 7 is a front view of the travel adapter shown in FIG. 1.

1 Claim, 7 Drawing Sheets



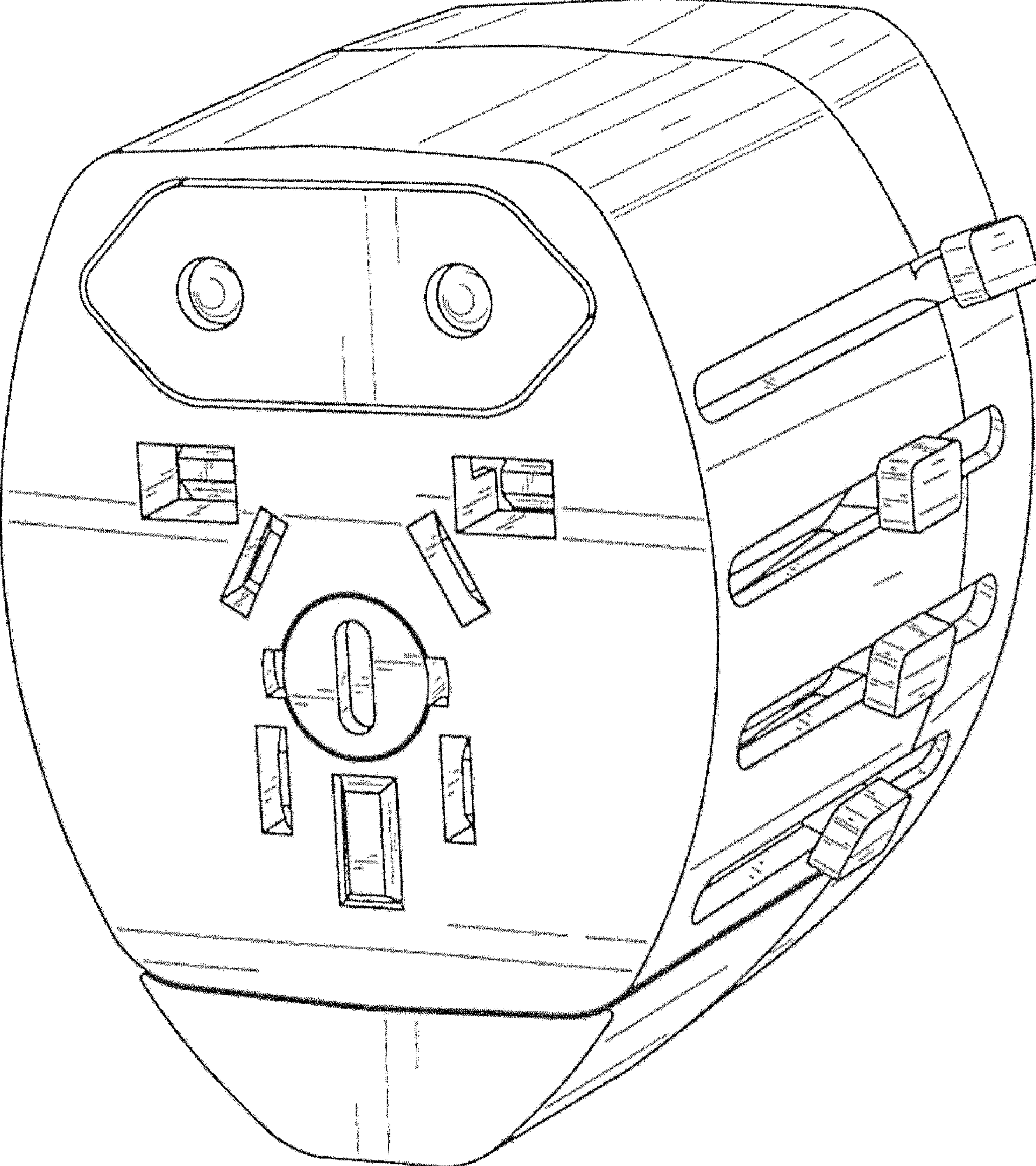


FIG. 1

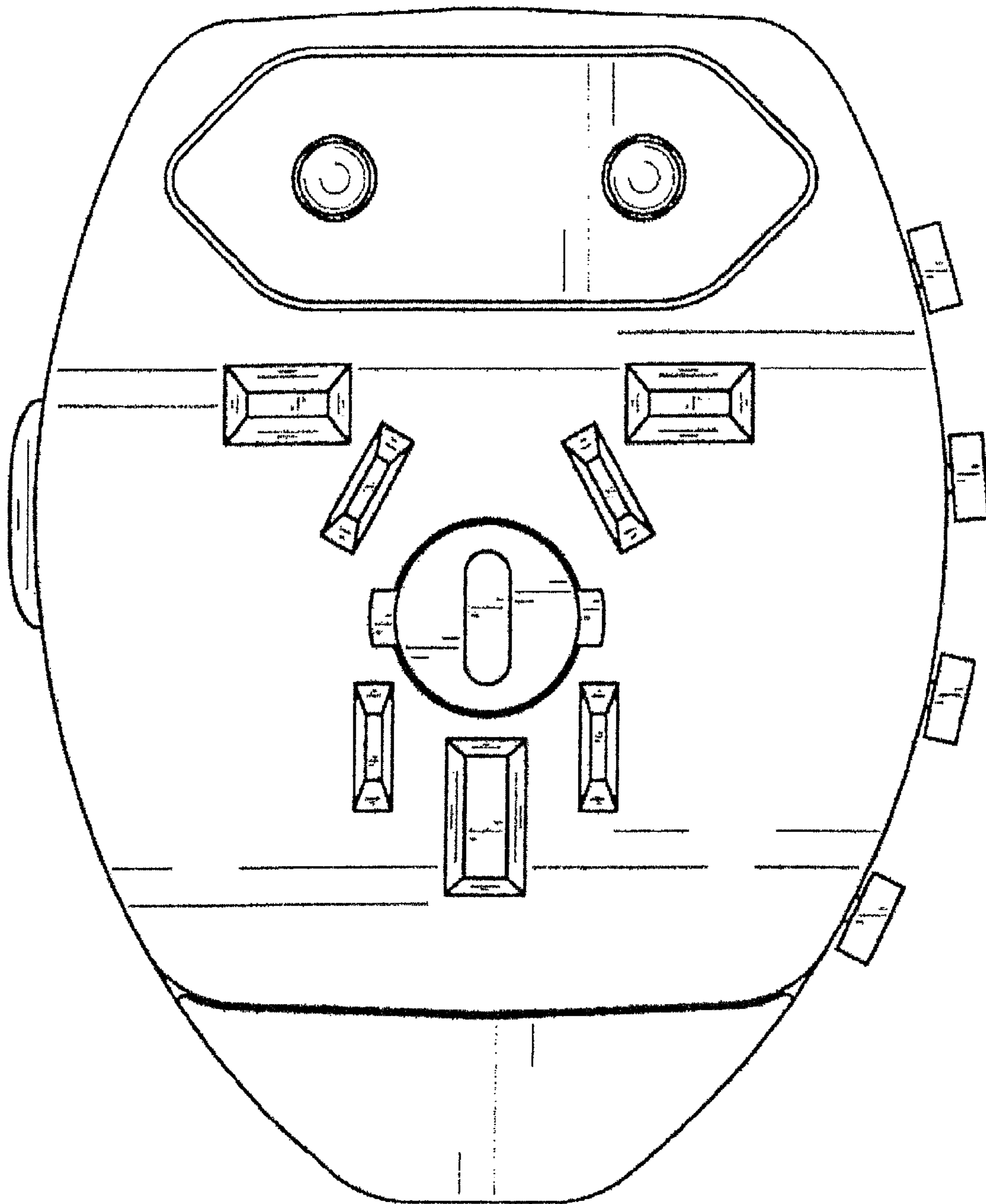


FIG. 2

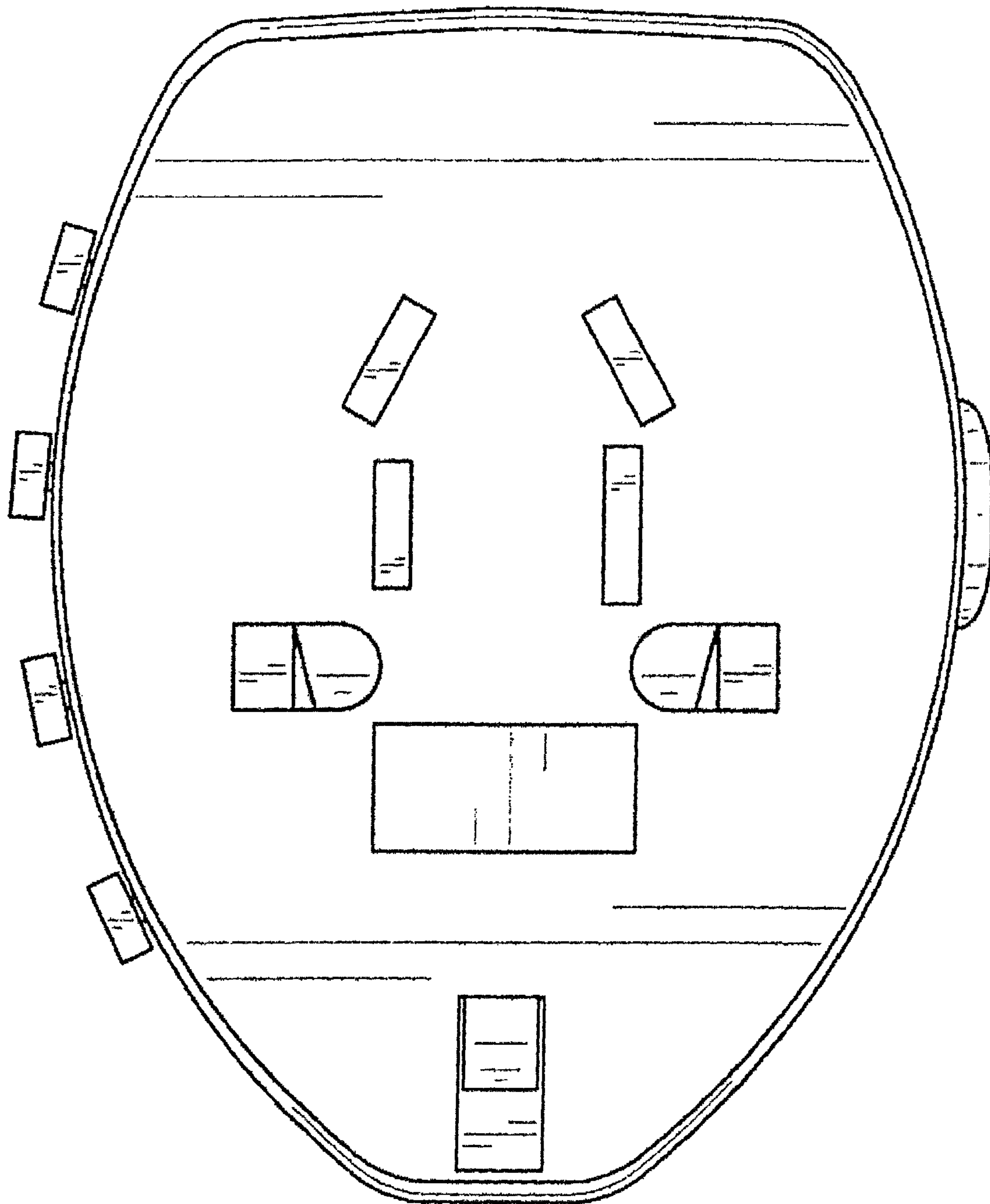


FIG. 3

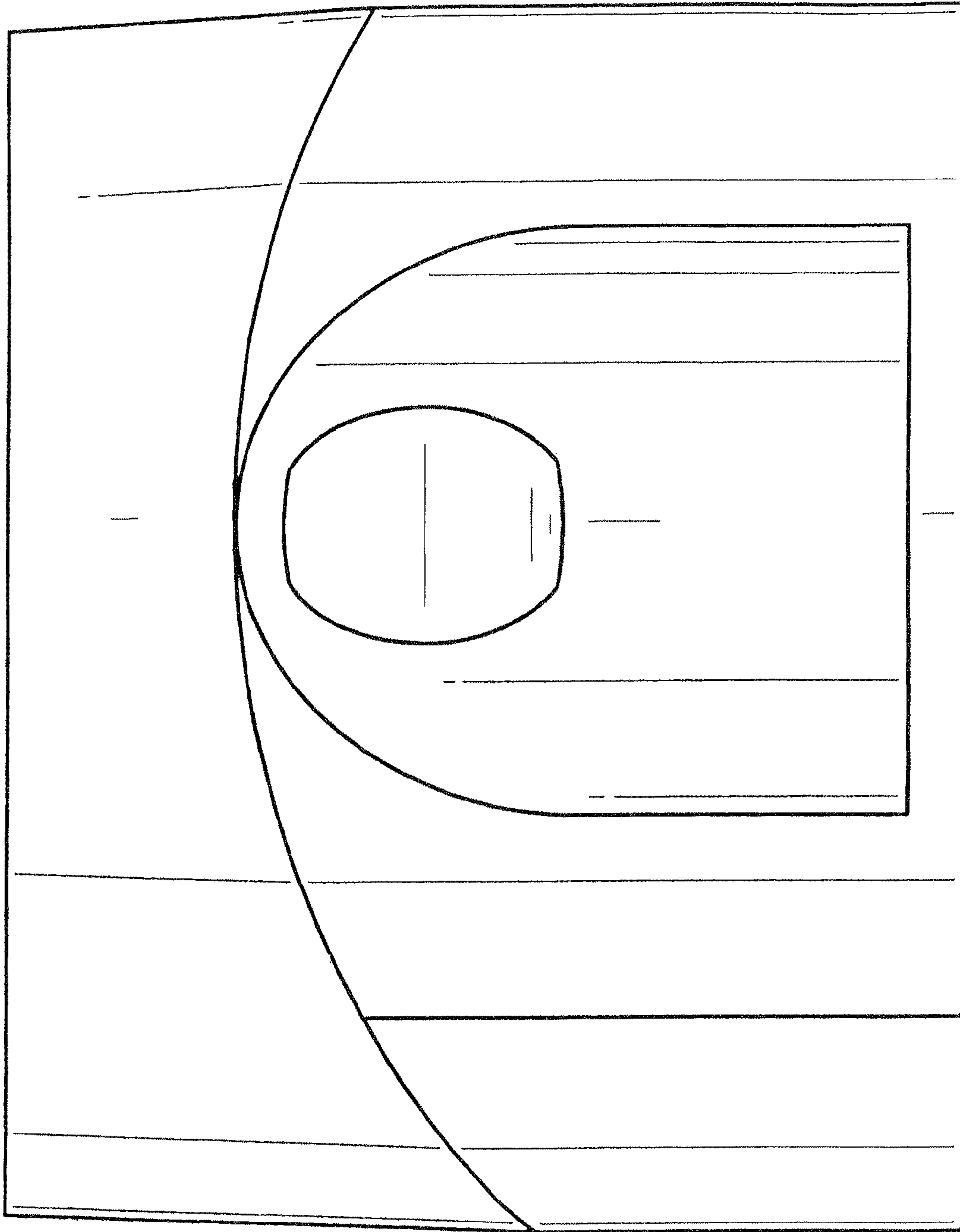


FIG. 4

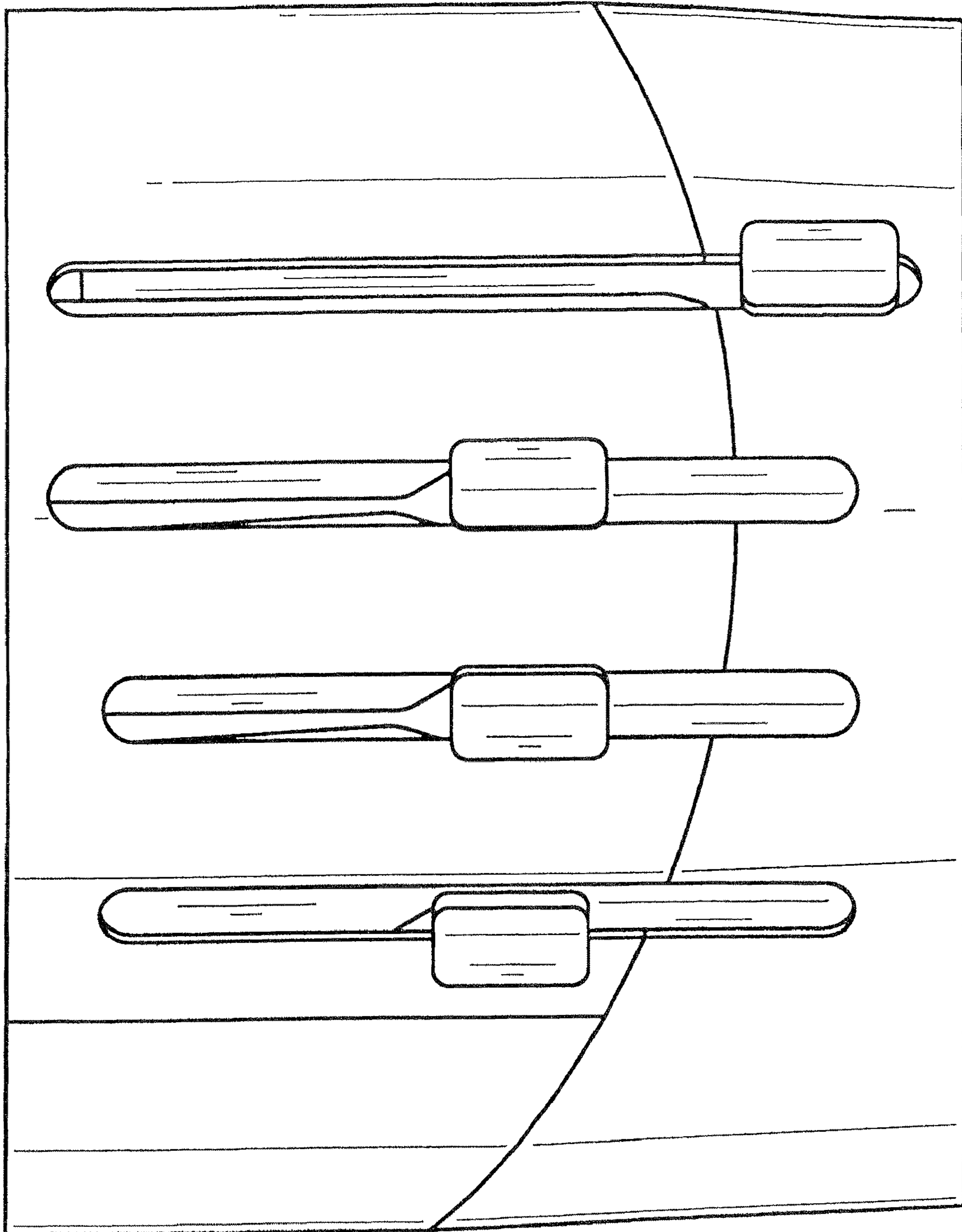


FIG. 5

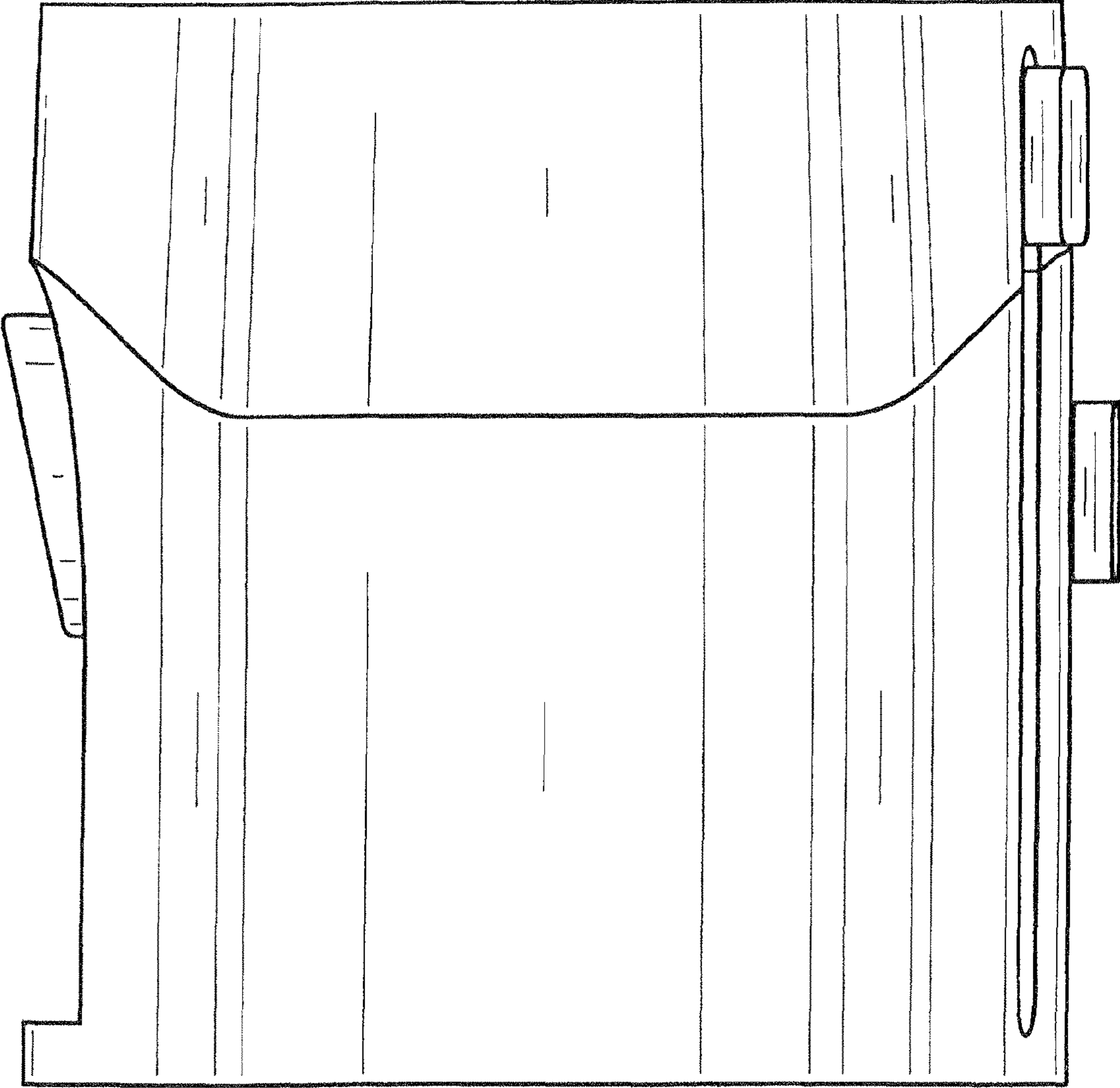


FIG. 6

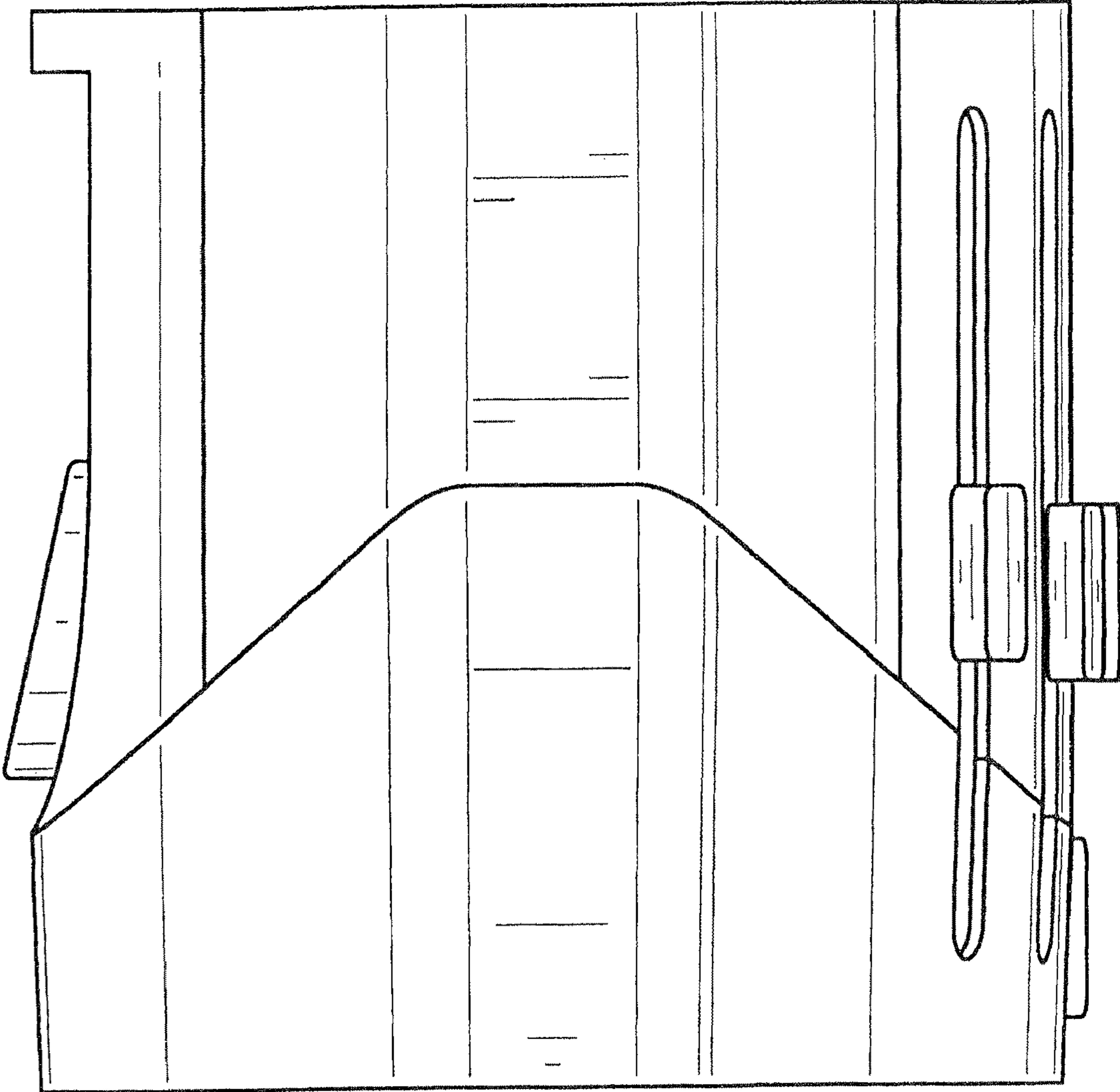


FIG. 7