



US00D623594S

(12) **United States Design Patent**  
**Akana et al.**

(10) **Patent No.:** **US D623,594 S**  
(45) **Date of Patent:** **\*\* Sep. 14, 2010**

(54) **POWER PLUG**

(75) Inventors: **Jody Akana**, San Francisco, CA (US);  
**Bartley K. Andre**, Menlo Park, CA  
(US); **Jeremy Bataillou**, San Francisco,  
CA (US); **Daniel J. Coster**, San  
Francisco, CA (US); **Danielle De Iuliis**,  
San Francisco, CA (US); **Evans**  
**Hankey**, San Francisco, CA (US);  
**Richard P. Howarth**, San Francisco, CA  
(US); **Jonathan P. Ive**, San Francisco,  
CA (US); **Duncan Robert Kerr**, San  
Francisco, CA (US); **Shin Nishibori**,  
Portola Valley, CA (US); **Matthew Dean**  
**Rohrbach**, San Francisco, CA (US);  
**Peter Russell-Clarke**, San Francisco,  
CA (US); **Christopher J. Stringer**,  
Woodside, CA (US); **Eugene Antony**  
**Whang**, San Francisco, CA (US); **Rico**  
**Zorkendorfer**, San Francisco, CA (US)

(73) Assignee: **Apple Inc.**, Cupertino, CA (US)

(\*\*) Term: **14 Years**

(21) Appl. No.: **29/345,427**

(22) Filed: **Oct. 15, 2009**

(51) **LOC (9) Cl.** ..... **13-03**

(52) **U.S. Cl.** ..... **D13/138.2**

(58) **Field of Classification Search** ..... D13/138.1,  
D13/138.2, 139.1, 139.2, 139.3, 139.4, 139.5,  
D13/139.6, 139.7, 139.8, 137.1, 137.2, 137.3,  
D13/137.4, 107, 108, 110, 133, 146, 151,  
D13/152, 153, 156, 162, 162.1, 163, 171,  
D13/177; 174/66, 202, 206, 53, 59, 60; 363/146,  
363/15, 34; 320/111, 114, 115; 439/108,  
439/172, 173, 344, 373

See application file for complete search history.

(56) **References Cited**

**U.S. PATENT DOCUMENTS**

2,771,590 A \* 11/1956 Nauslar ..... 439/644

3,382,355 A 5/1968 Prifogle et al.  
3,495,205 A \* 2/1970 Ricci ..... 439/103  
D243,090 S \* 1/1977 Lawrence et al. .... D13/139.7  
D244,298 S \* 5/1977 Stropkay ..... D13/138.1  
4,954,091 A \* 9/1990 Marble et al. .... 439/103

(Continued)

**FOREIGN PATENT DOCUMENTS**

GB 2056189 3/1981

(Continued)

**OTHER PUBLICATIONS**

Images of Apple Power Plug, available at least as early as Oct. 15, 2008.

*Primary Examiner*—Jennifer Rivard

*Assistant Examiner*—Angela J Lee

(74) *Attorney, Agent, or Firm*—SAIDMAN DesignLaw Group

(57) **CLAIM**

The ornamental design for a power plug, as shown and described.

**DESCRIPTION**

FIG. 1 is a front perspective view of a POWER PLUG showing our new design;

FIG. 2 is a front view thereof;

FIG. 3 is a rear view thereof;

FIG. 4 is a left side view thereof;

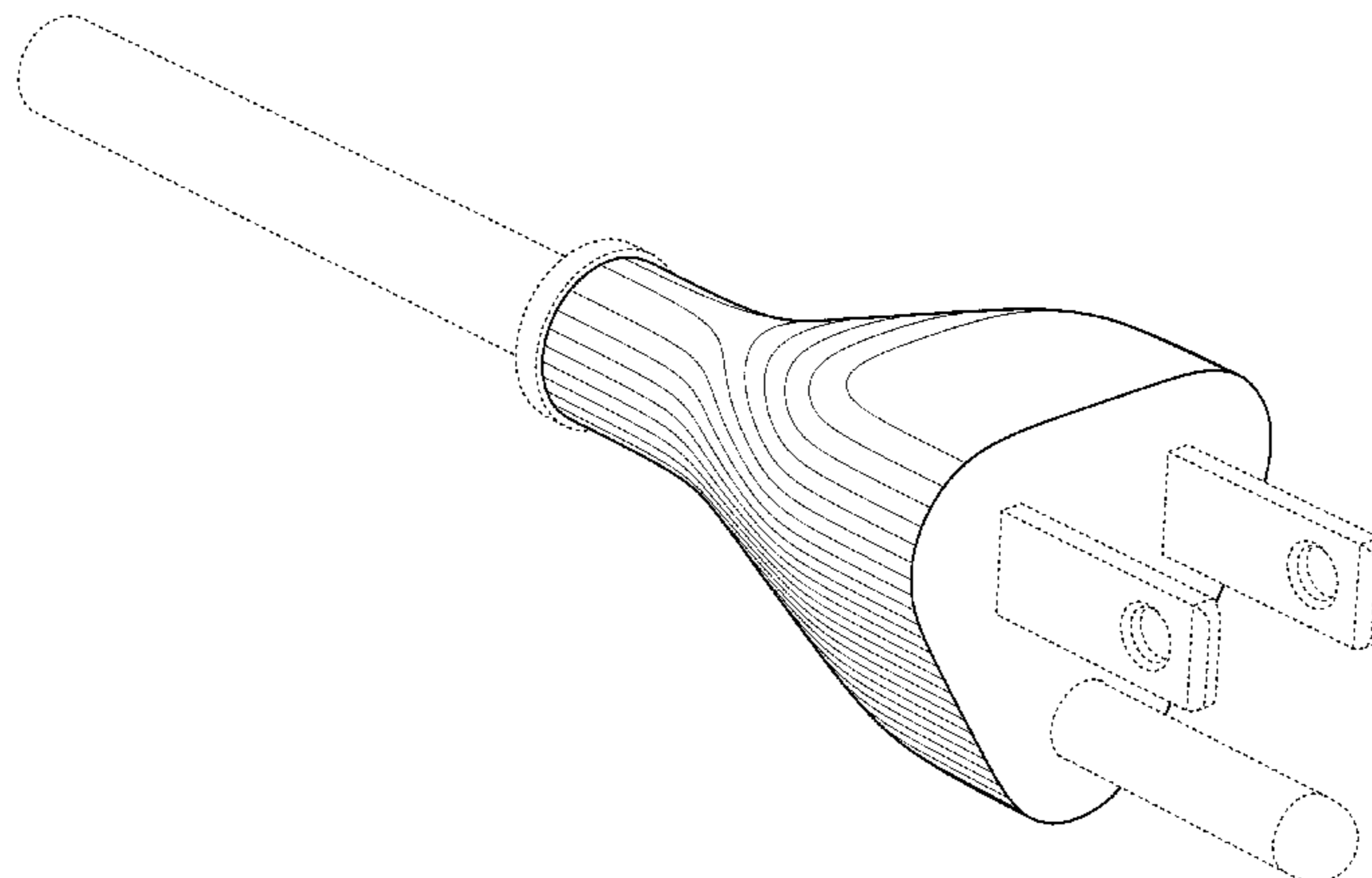
FIG. 5 is a right side view thereof;

FIG. 6 is a top view thereof; and,

FIG. 7 is a bottom view thereof.

The broken line showing is for the purpose of illustrating environmental structure and forms no part of the claimed design. The light gray shade lines on the surface portions indicate contour and not surface decoration.

**1 Claim, 4 Drawing Sheets**



# US D623,594 S

Page 2

---

## U.S. PATENT DOCUMENTS

D339,566 S \* 9/1993 Okamoto ..... D13/138.2  
D339,567 S \* 9/1993 Okamoto ..... D13/138.2  
D347,621 S \* 6/1994 Rinker ..... D13/138.2  
D353,362 S \* 12/1994 Dolson et al. .... D13/138.2  
5,622,509 A \* 4/1997 Smythe et al. .... 439/106  
D484,460 S \* 12/2003 Cheng et al. .... D13/137.4  
D498,462 S 11/2004 Andre et al.  
D509,187 S \* 9/2005 Levine ..... D13/110

D585,378 S \* 1/2009 Haber ..... D13/138.2

## FOREIGN PATENT DOCUMENTS

GB	2082852	3/1982
GB	2033323	8/1993
GB	2085449	7/1999
GB	2334829	9/1999

\* cited by examiner

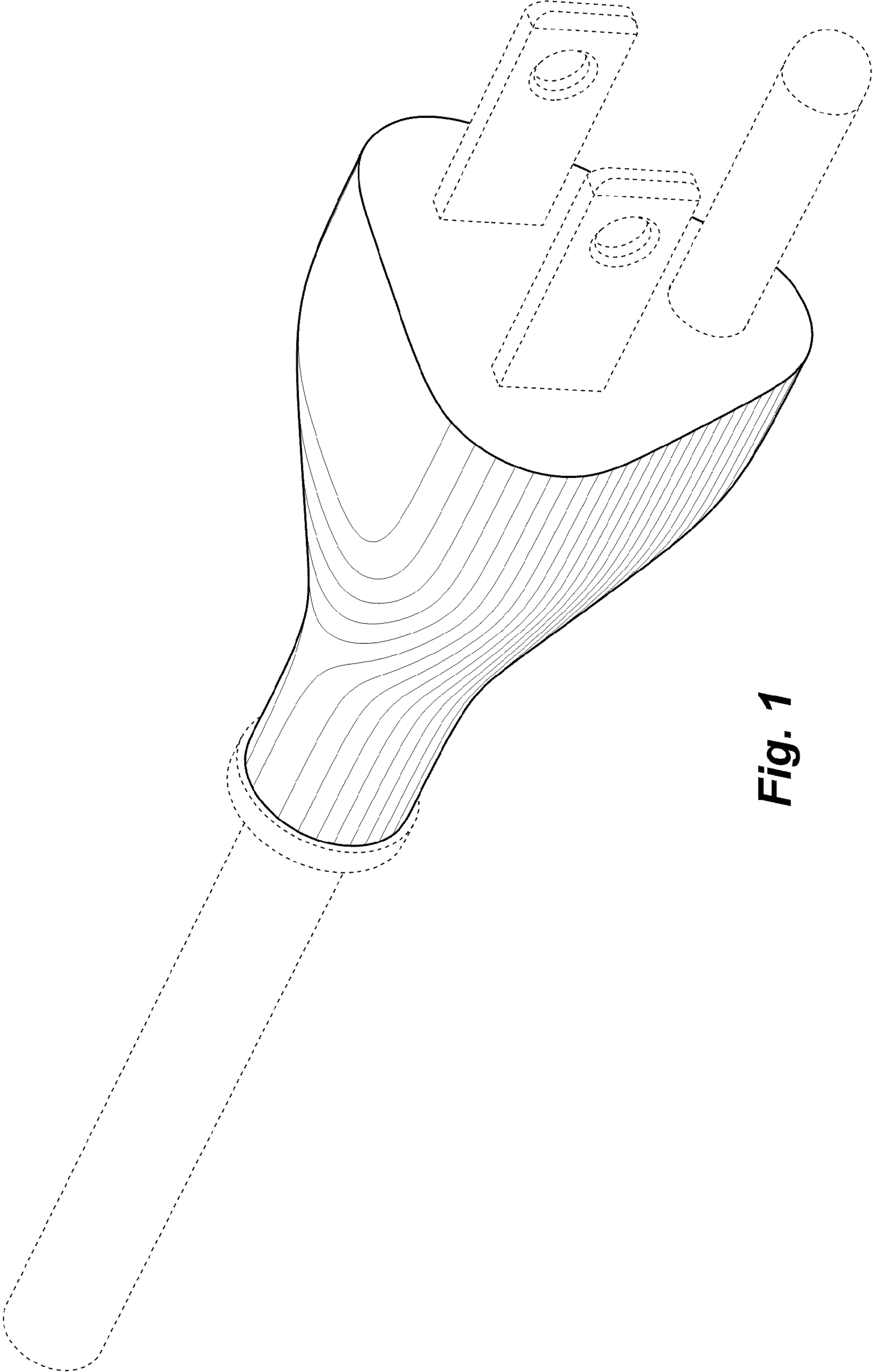
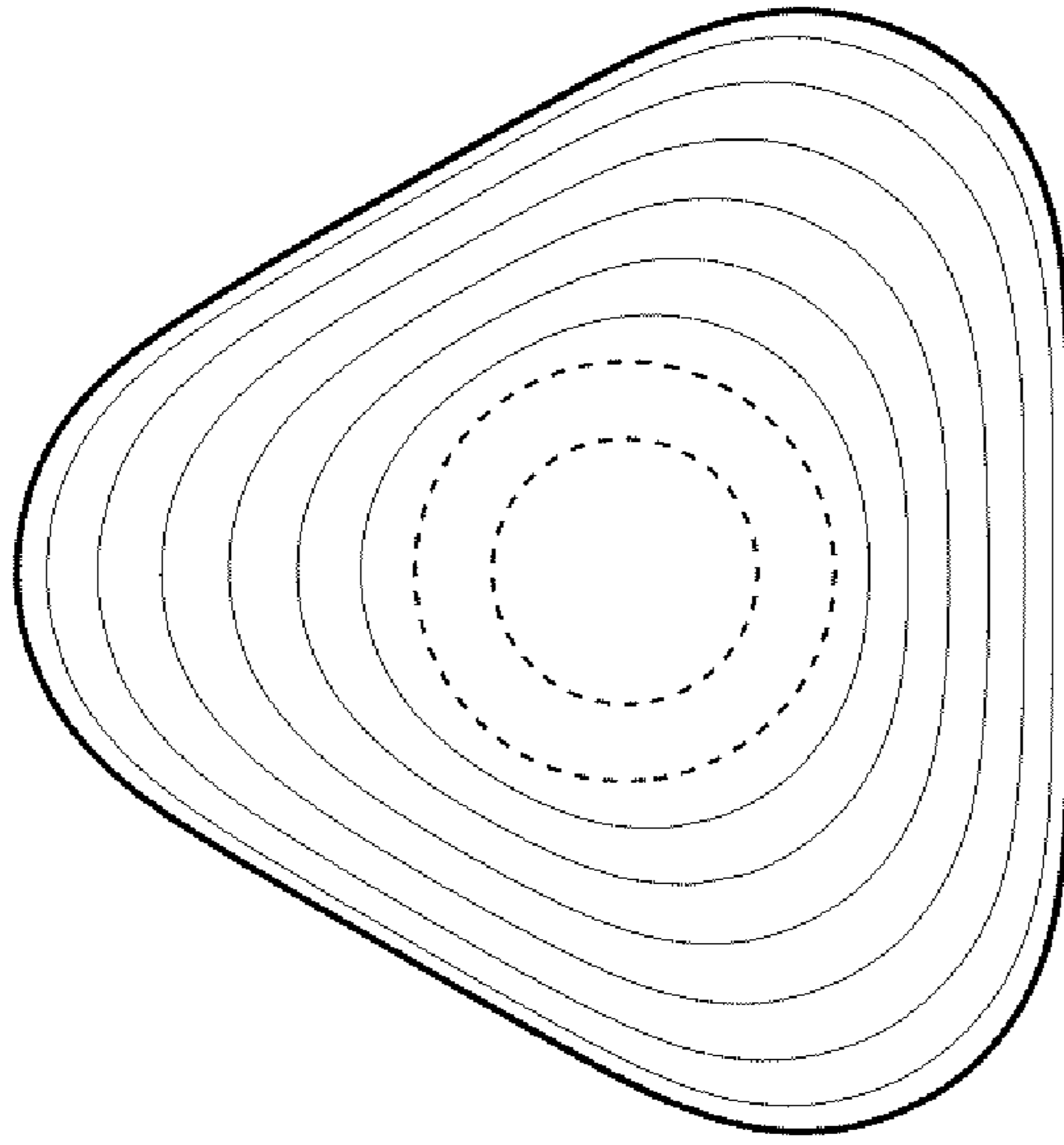
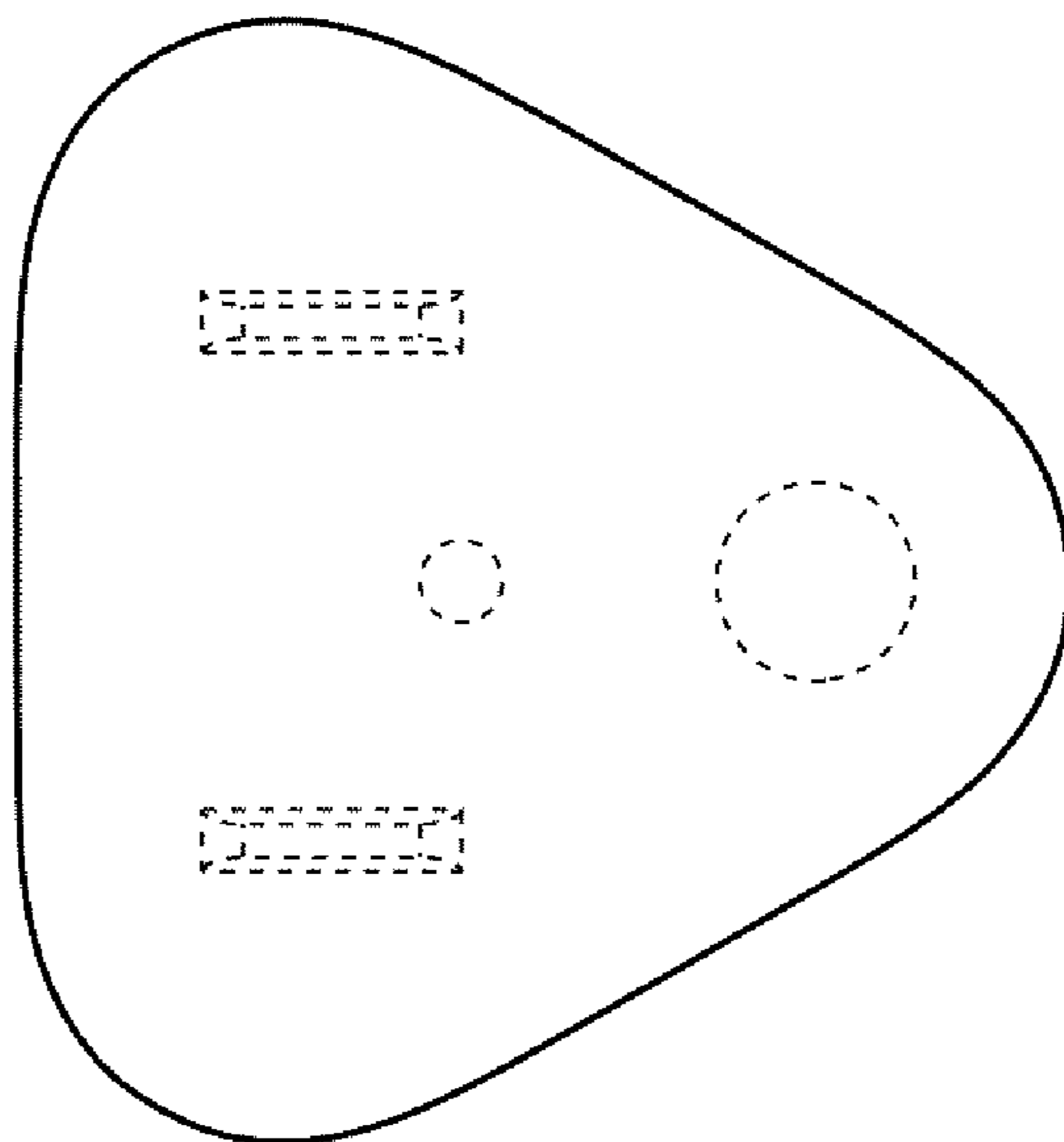


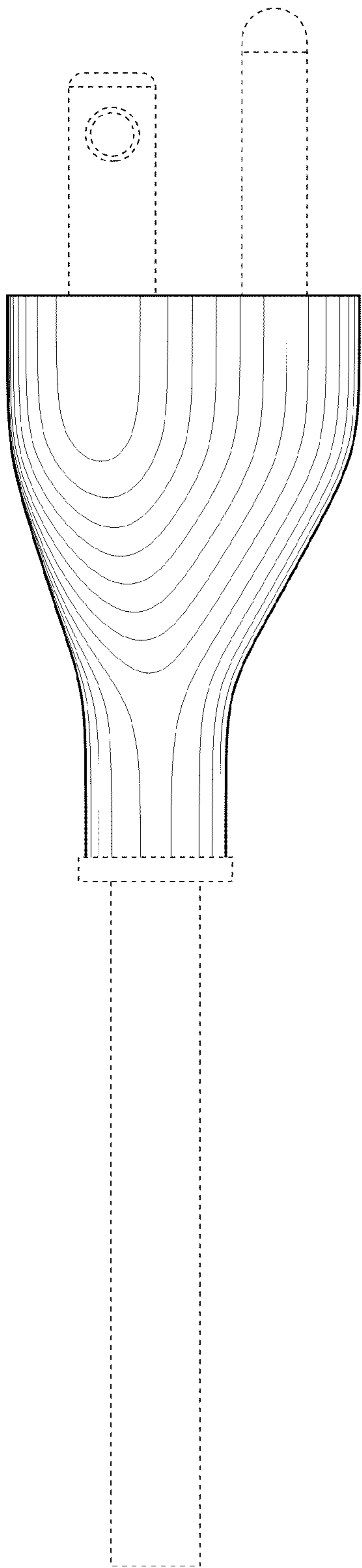
Fig. 1



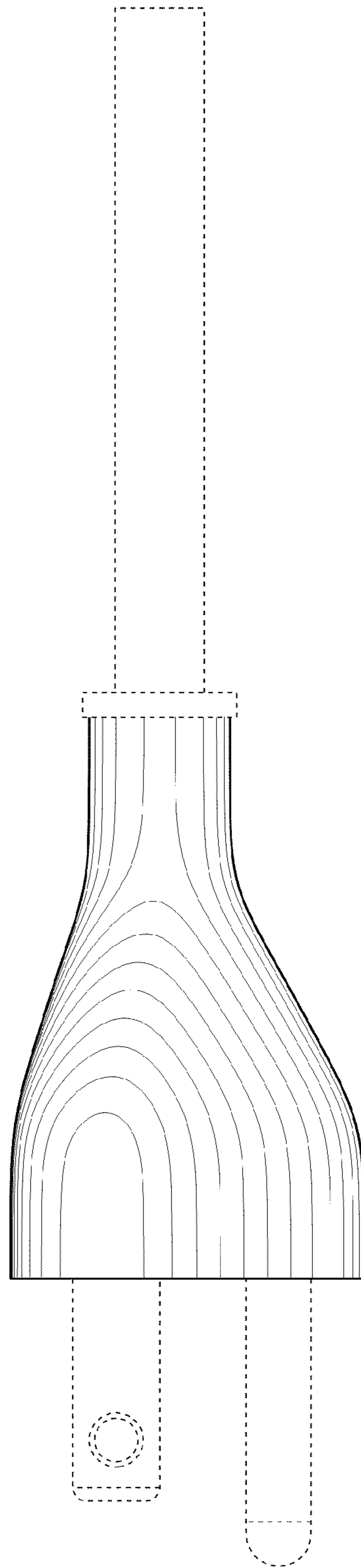
**Fig. 3**



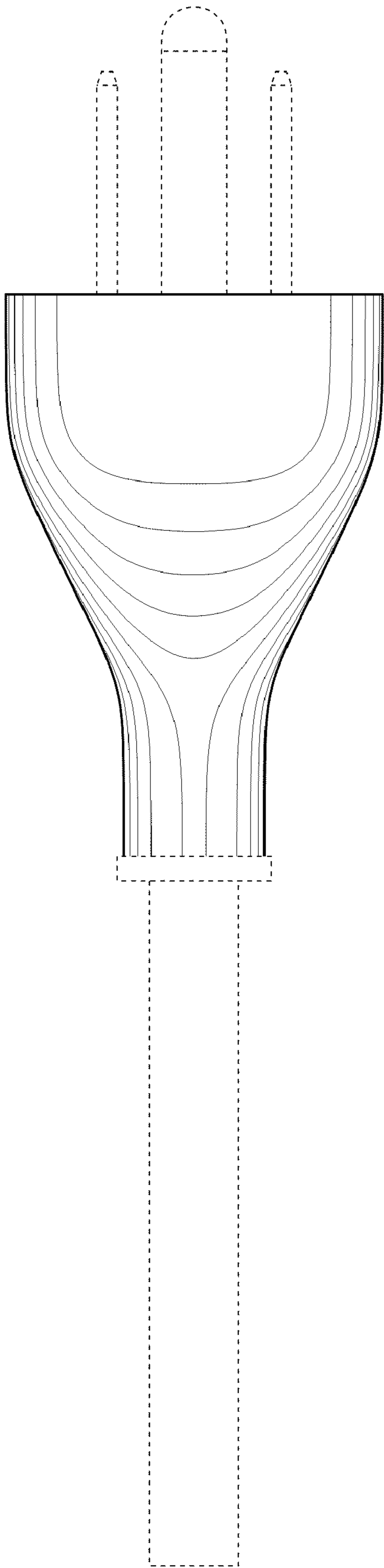
**Fig. 2**



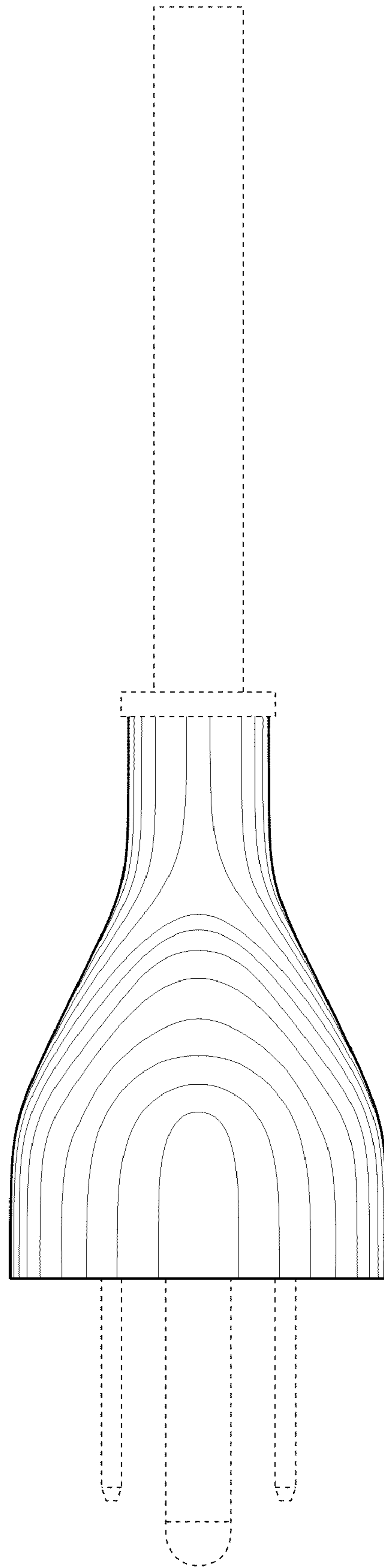
*Fig. 4*



*Fig. 5*



**Fig. 6**



**Fig. 7**