



US00D623593S

(12) **United States Design Patent**
Osada et al.

(10) **Patent No.:** **US D623,593 S**
(45) **Date of Patent:** **** Sep. 14, 2010**

(54) **LAMP SOCKET**

(75) Inventors: **Takeshi Osada**, Kanagawa (JP); **Satoshi Watanabe**, Kanagawa (JP); **Shizuka Sakamoto**, Kanagawa (JP); **Keiichi Shimizu**, Kanagawa (JP)

(73) Assignee: **Toshiba Lighting & Technology Corporation**, Kanagawa (JP)

(**) Term: **14 Years**

(21) Appl. No.: **29/357,007**

(22) Filed: **Mar. 5, 2010**

(30) **Foreign Application Priority Data**

Sep. 8, 2009 (JP) 2009-020667

(51) **LOC (9) Cl.** **13-03**

(52) **U.S. Cl.** **D13/134**

(58) **Field of Classification Search** D13/123, D13/133, 134, 136, 147, 149, 179; D26/138, D26/140; 362/217, 147, 223, 260, 294; 439/241, 439/242, 243, 244, 239, 226, 240; 165/80.3, 165/104.33, 151, 122, 185; 257/706, 707, 257/718-722; 361/687, 695, 697, 700, 702, 361/704, 709, 710, 711, 719

See application file for complete search history.

(56) **References Cited**

U.S. PATENT DOCUMENTS

5,263,881 A * 11/1993 Henrici et al. 439/686
6,086,408 A * 7/2000 Tanigawa 439/419
D602,868 S * 10/2009 Vogt et al. D13/134

D602,869 S * 10/2009 Vogt et al. D13/134
2002/0031930 A1 * 3/2002 Metz 439/161

FOREIGN PATENT DOCUMENTS

EP 000911888-0001 4/2008
EP 000911888-0002 4/2008
EP 000911888-0003 4/2008
EP 000911888-0004 4/2008
JP 1361534 5/2009

* cited by examiner

Primary Examiner—Daniel D Bui

Assistant Examiner—Thomas J Johannes

(74) *Attorney, Agent, or Firm*—J.C. Patents

(57) **CLAIM**

The ornamental design for a lamp socket, as shown and described.

DESCRIPTION

FIG. 1 is a perspective view of a lamp socket showing our new design;

FIG. 2 is another perspective view thereof;

FIG. 3 is a front view thereof;

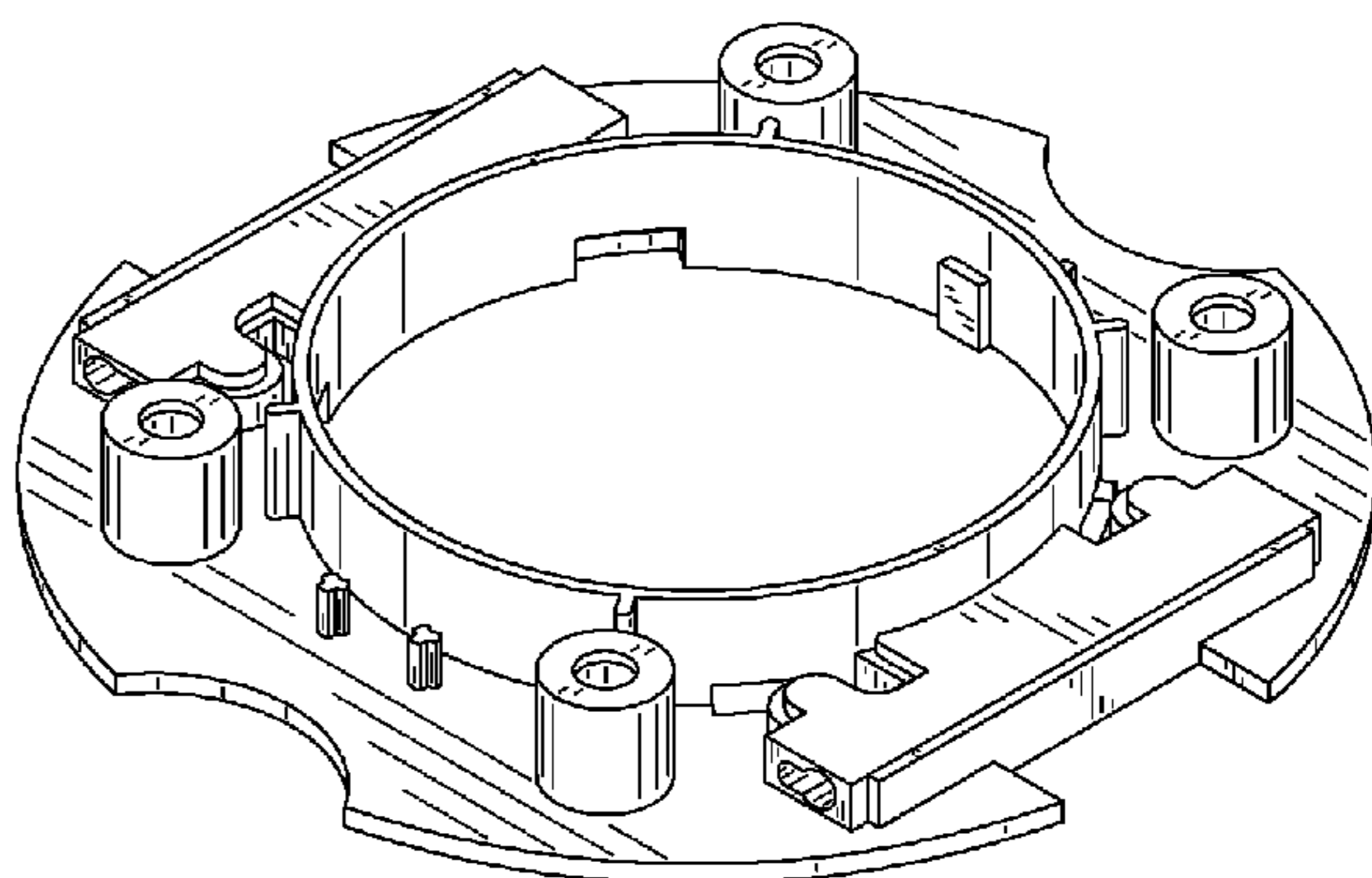
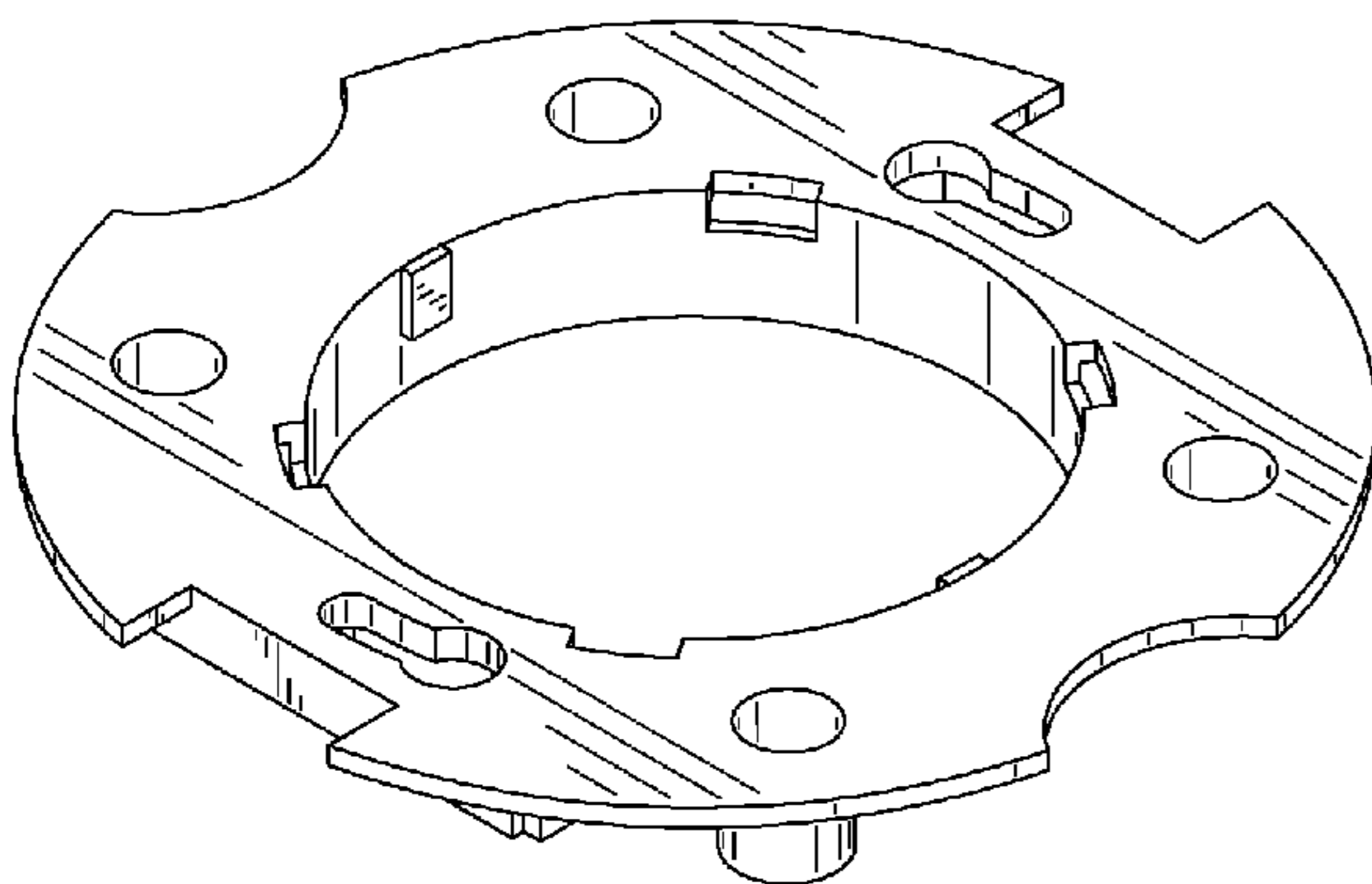
FIG. 4 is a rear view thereof;

FIG. 5 is a right side view thereof, the left side view being a mirror image of the right side view;

FIG. 6 is a top view thereof, the bottom view being a mirror image of the top view; and,

FIG. 7 is a cross-sectional view taken along line 7—7 in FIG. 3.

1 Claim, 6 Drawing Sheets



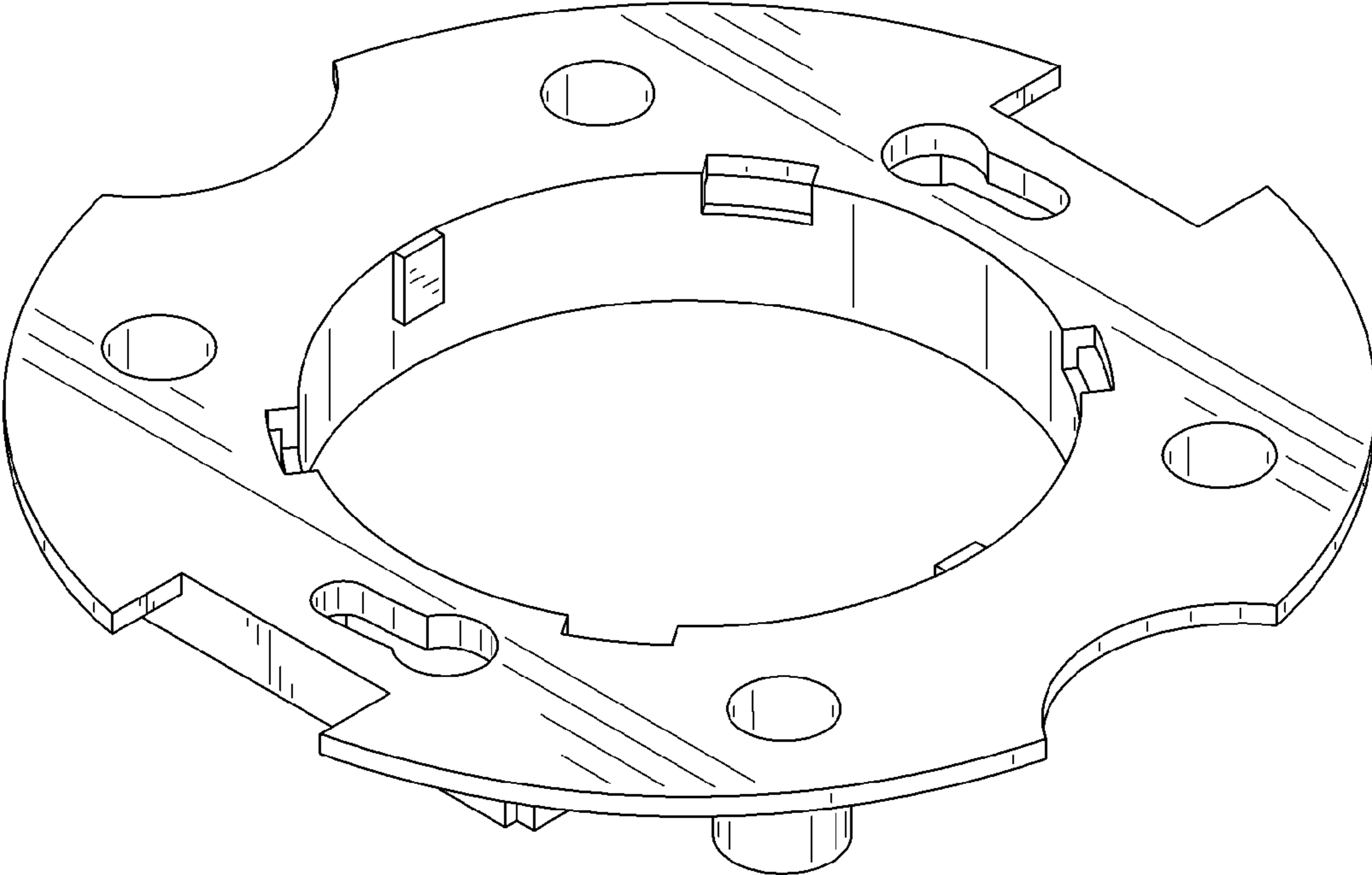


FIG. 1

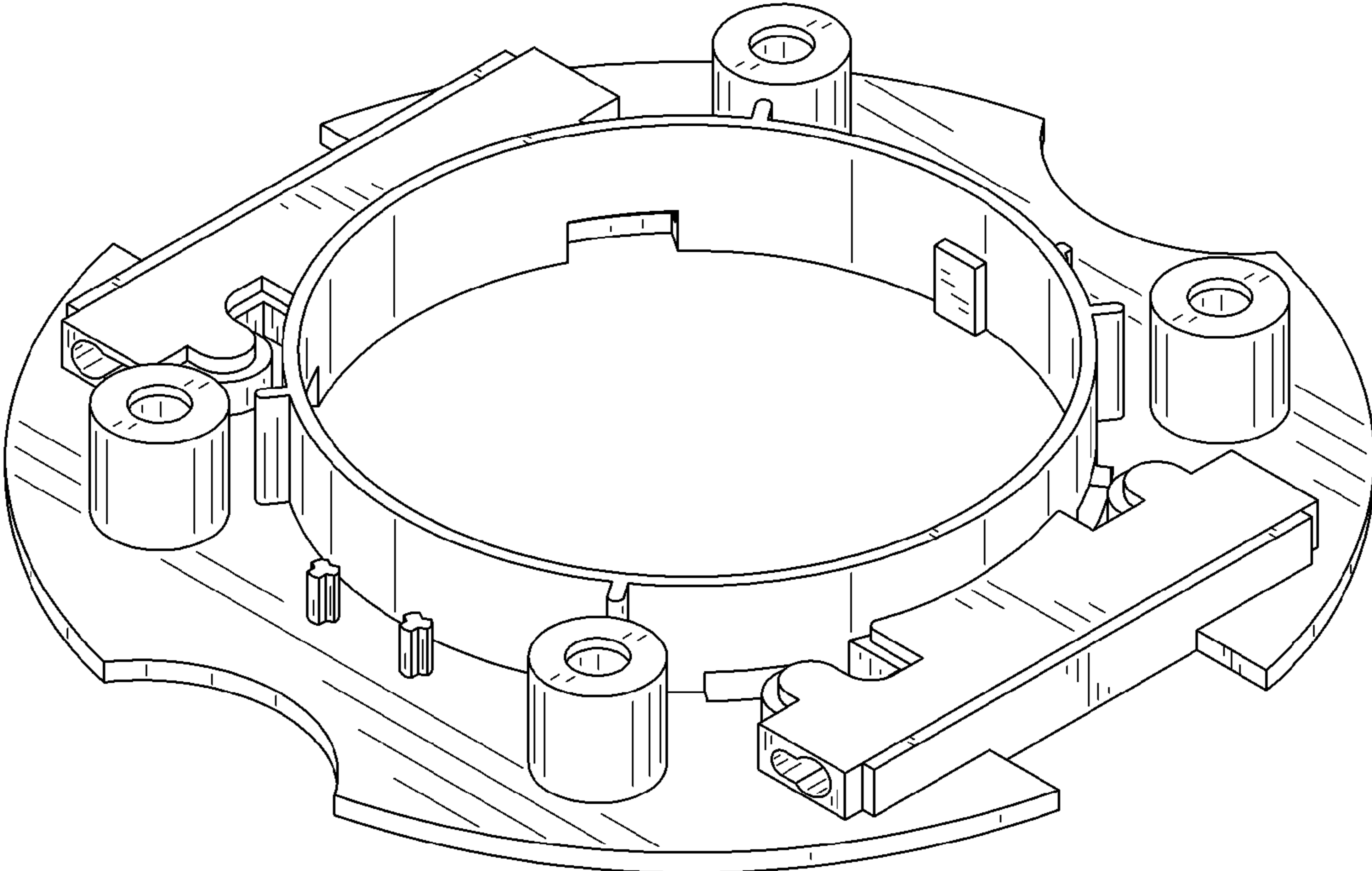


FIG. 2

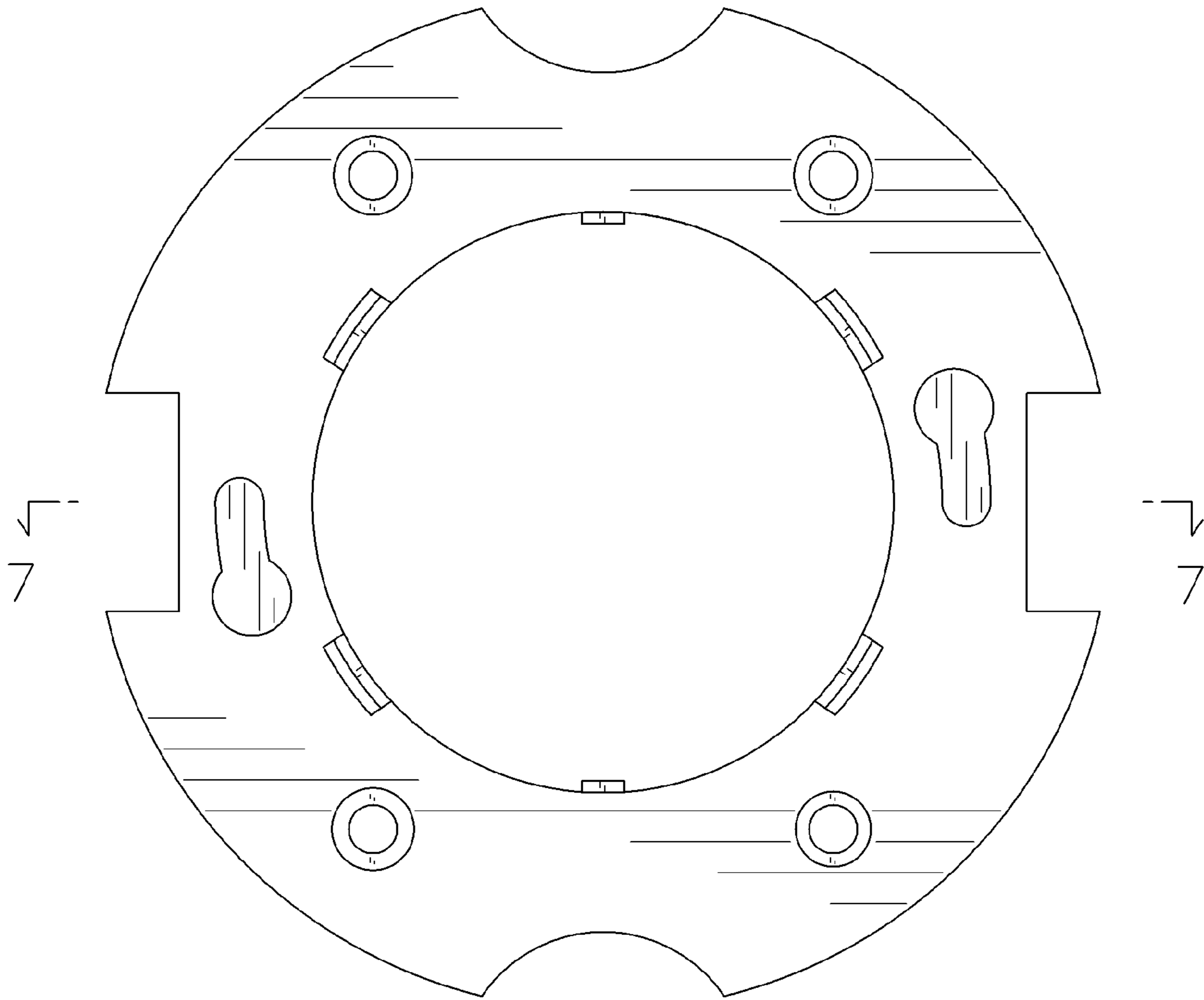


FIG. 3

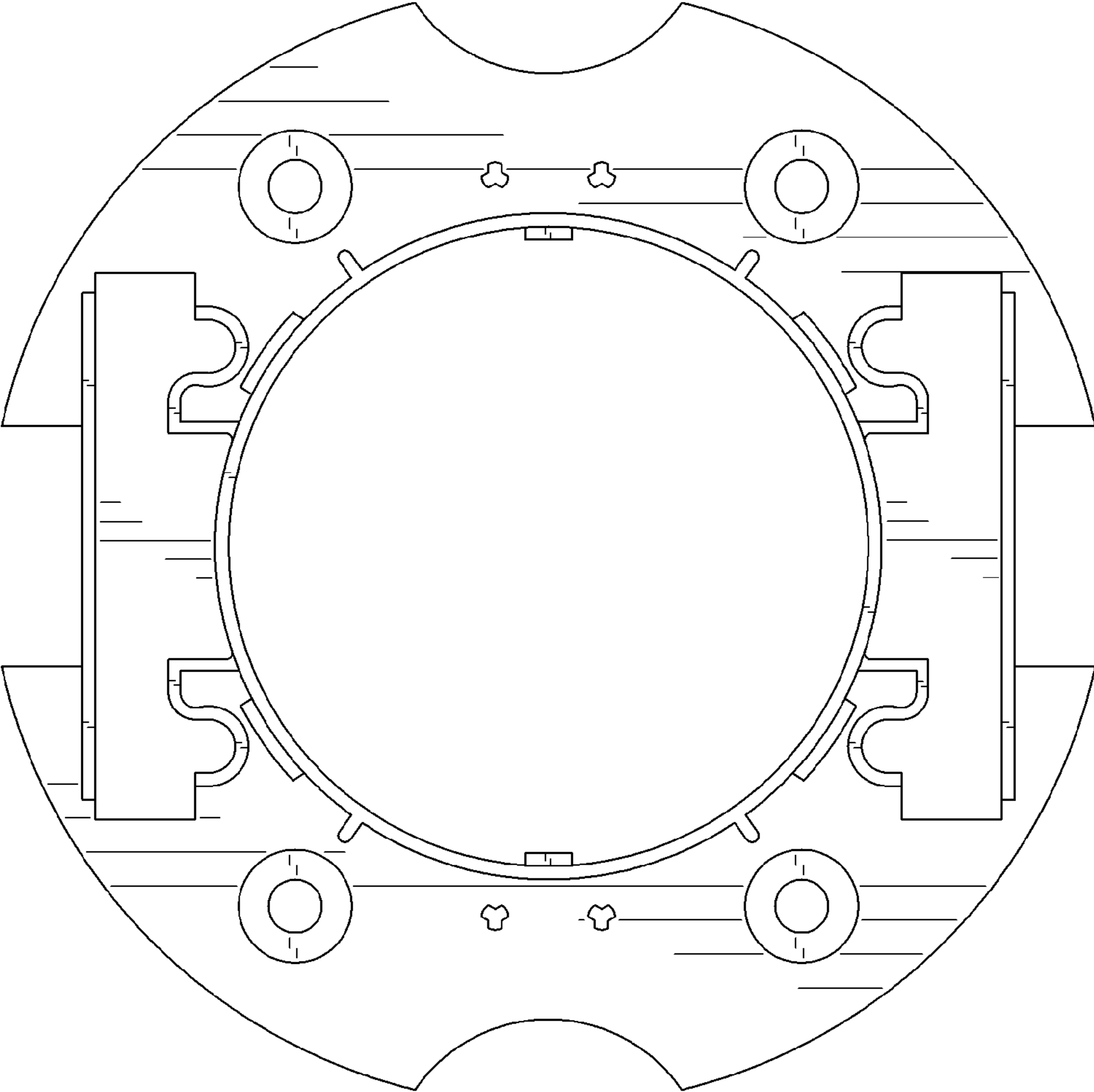


FIG. 4

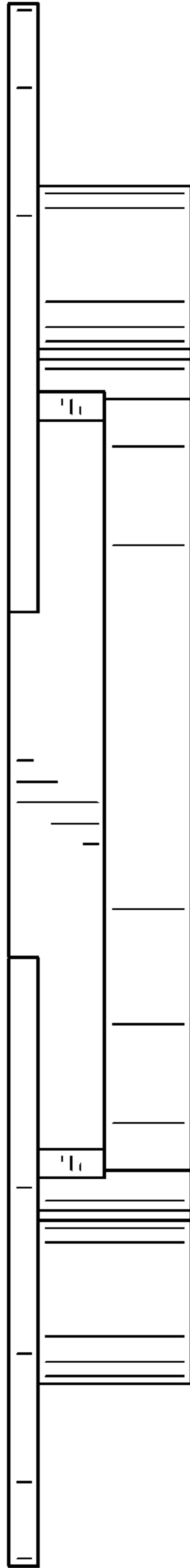


FIG. 5

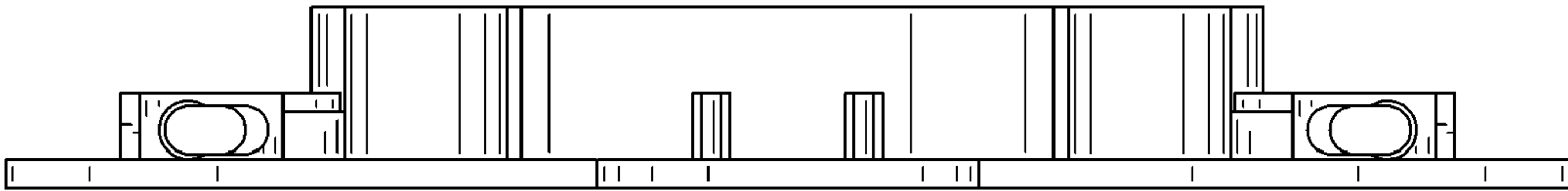


FIG. 6

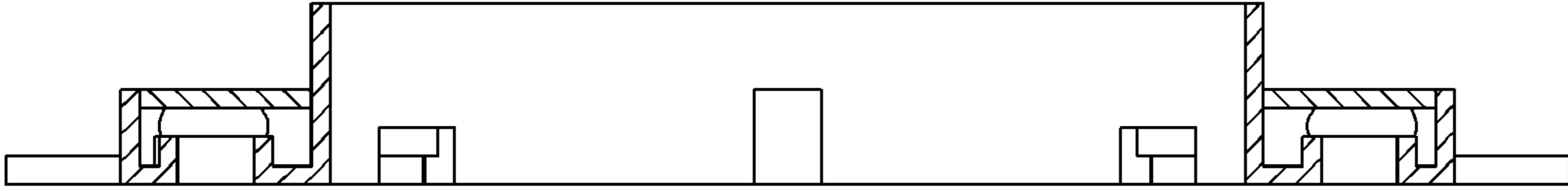


FIG. 7