



US00D623591S

(12) **United States Design Patent**
Wisniewski

(10) **Patent No.:** **US D623,591 S**

(45) **Date of Patent:** **** Sep. 14, 2010**

(54) **CELL PHONE CHARGING STATION**

(75) Inventor: **Alan Wisniewski**, Toronto (CA)

(73) Assignee: **Umbra LLC**, Buffalo, NY (US)

(**) Term: **14 Years**

(21) Appl. No.: **29/352,451**

(22) Filed: **Dec. 21, 2009**

(51) **LOC (9) Cl.** **13-02**

(52) **U.S. Cl.** **D13/108**

(58) **Field of Classification Search** D13/107-110,
D13/118-119, 184, 199; D14/251, 253,
D14/432, 434; 320/107-115

See application file for complete search history.

(56) **References Cited**

U.S. PATENT DOCUMENTS

- D328,277 S * 7/1992 Leman et al. D13/108
- D483,016 S * 12/2003 Ma et al. D13/108
- D489,323 S * 5/2004 Yoshida D13/108
- D489,325 S * 5/2004 Nakamura D13/110
- D508,459 S * 8/2005 Yoshida D13/108
- D510,091 S * 9/2005 Mori et al. D14/434
- D523,847 S * 6/2006 Naruki D14/224.1
- D535,615 S * 1/2007 Iwai D13/108
- D540,802 S * 4/2007 Hussaini et al. D14/434
- D561,182 S * 2/2008 Jenkins et al. D14/253

- D564,959 S * 3/2008 Heine et al. D13/107
- D608,351 S * 1/2010 Song D14/217

* cited by examiner

Primary Examiner—Rosemary K Tarca

(74) *Attorney, Agent, or Firm*—Simpson & Simpson, PLLC

(57) **CLAIM**

The ornamental design for a cell phone charging station, as shown and described.

DESCRIPTION

FIG. 1 is a perspective view of the present invention cell phone charging station;

FIG. 2 is a front elevational view of the cell phone charging station;

FIG. 3 is a rear elevational view of the cell phone charging station;

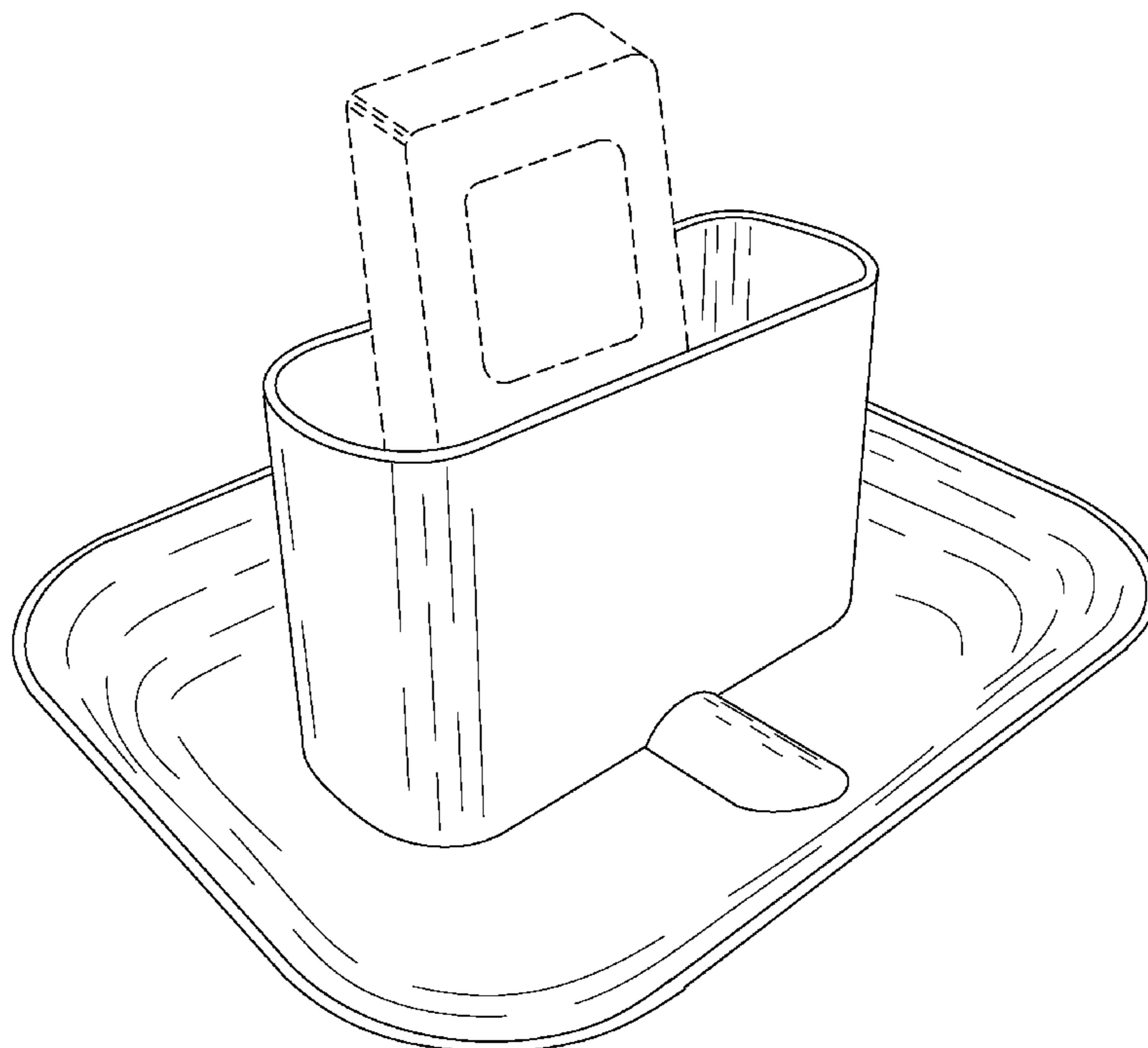
FIG. 4 is a right side elevational view of the cell phone charging station;

FIG. 5 is a top plan view of the cell phone charging station; and,

FIG. 6 is a bottom plan view of the cell phone charging station.

It should be appreciated that the left side elevational view is not shown as it is a mirror image of the right side elevational view. The broken line illustrations of a cell phone shown in FIG. 1 and portions of the cell phone charging station shown in FIGS. 5 and 6 are for illustrative purposes only and form no part of the claimed invention.

1 Claim, 4 Drawing Sheets



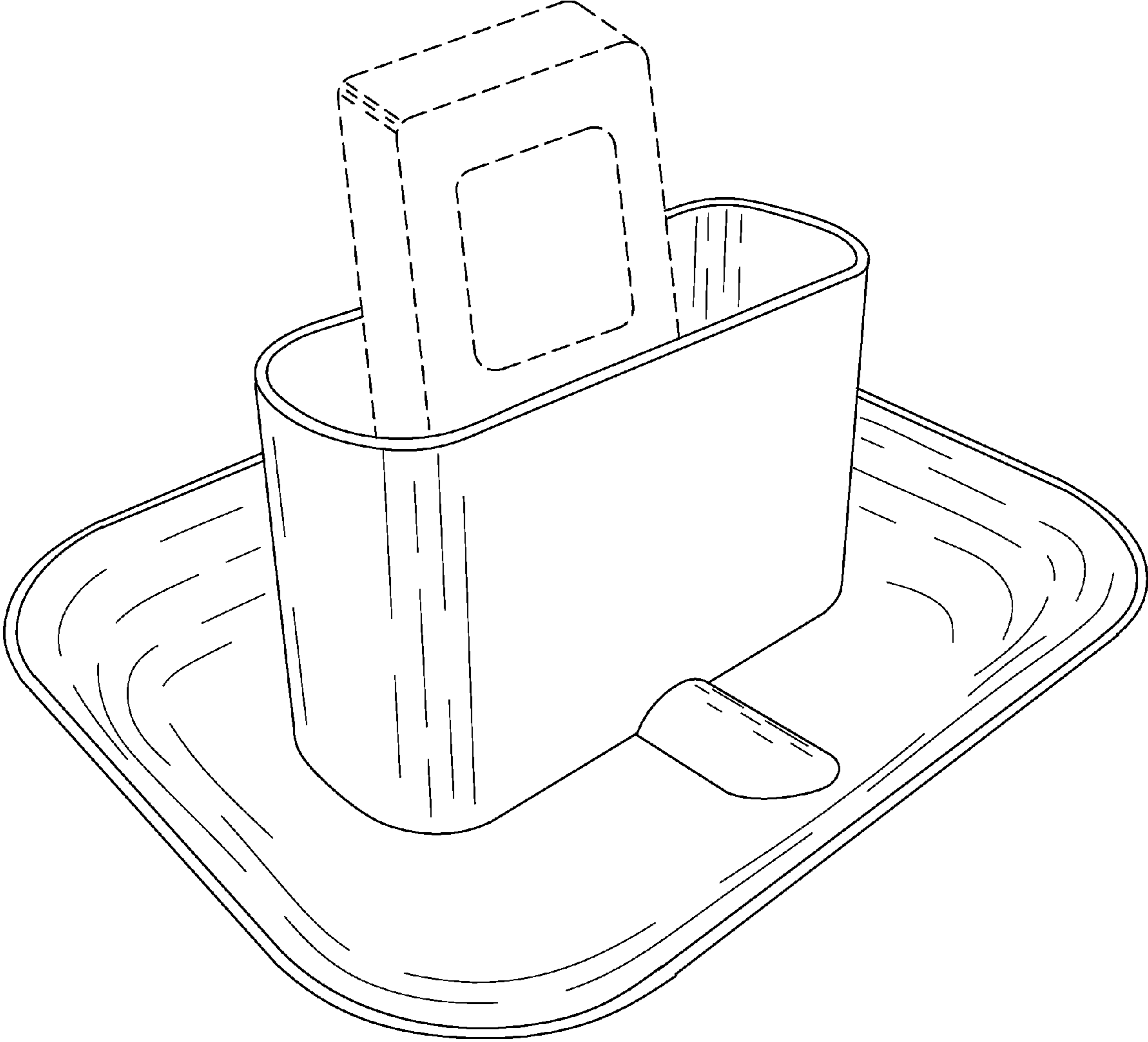


Fig. 1

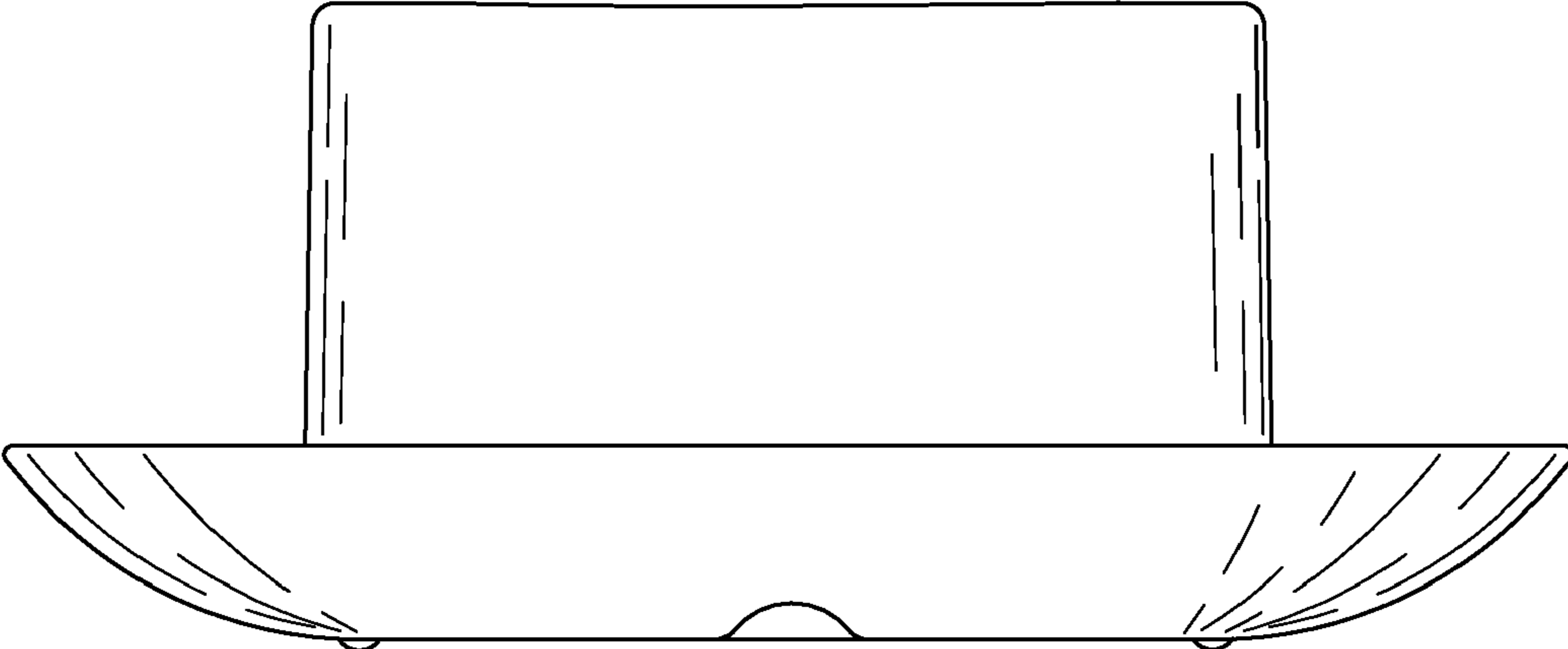


Fig. 2

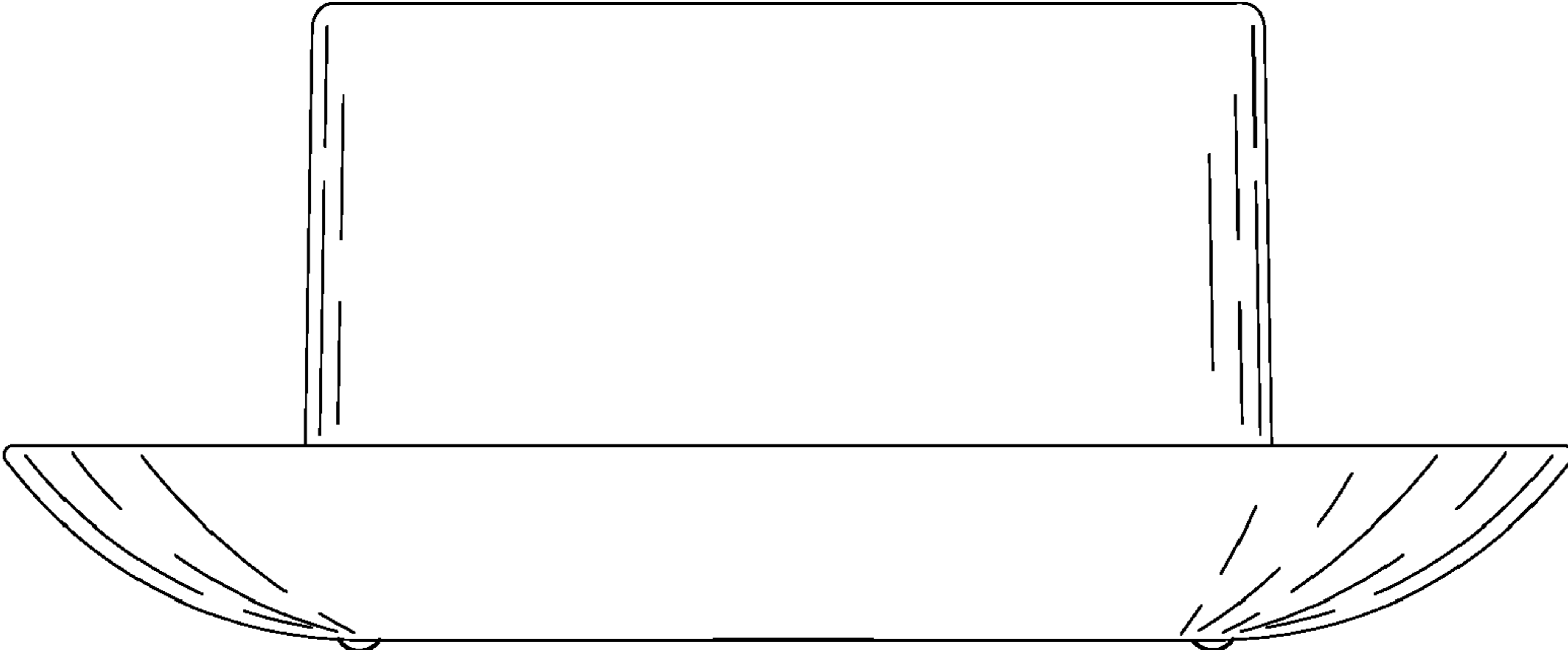


Fig. 3

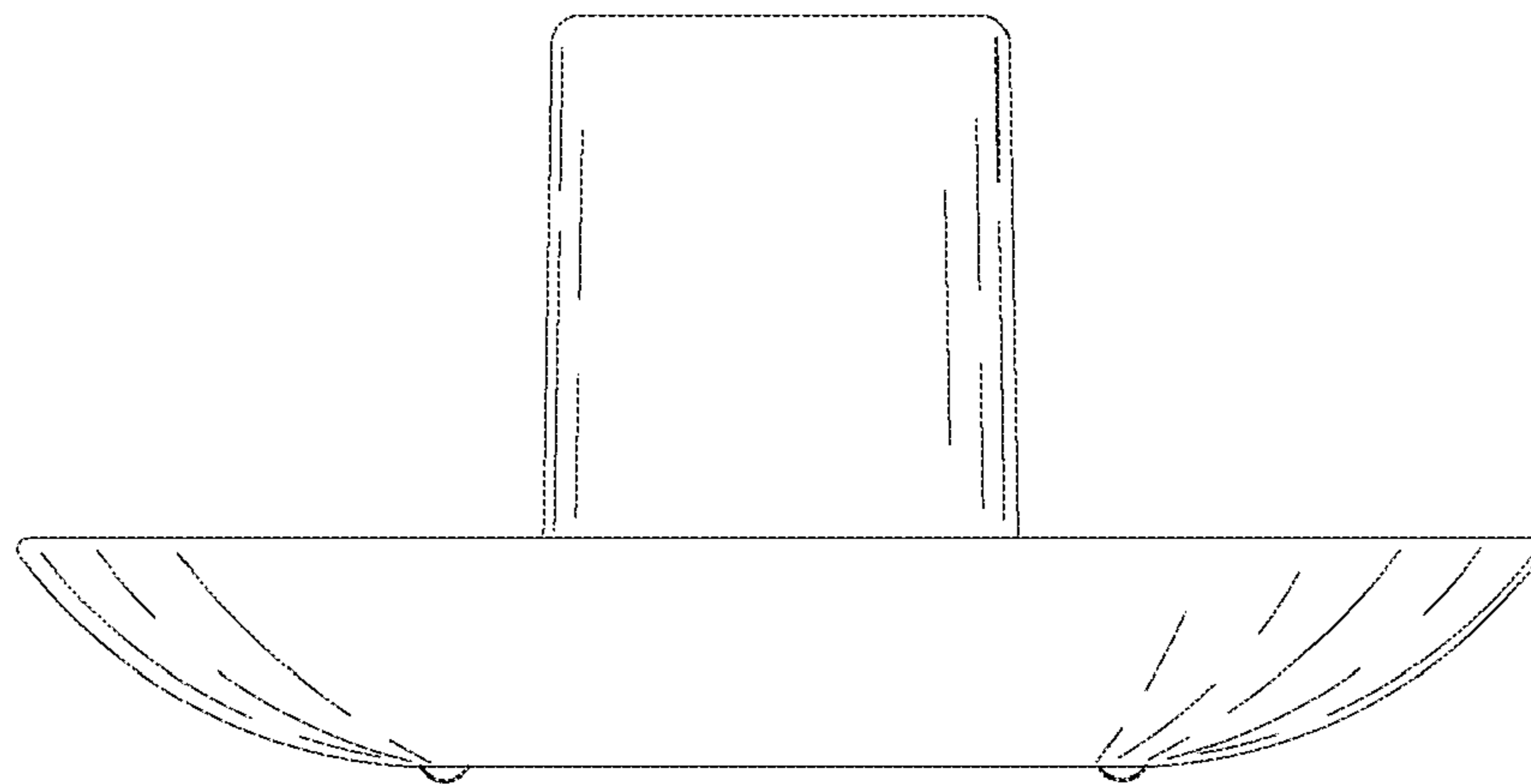


Fig. 4

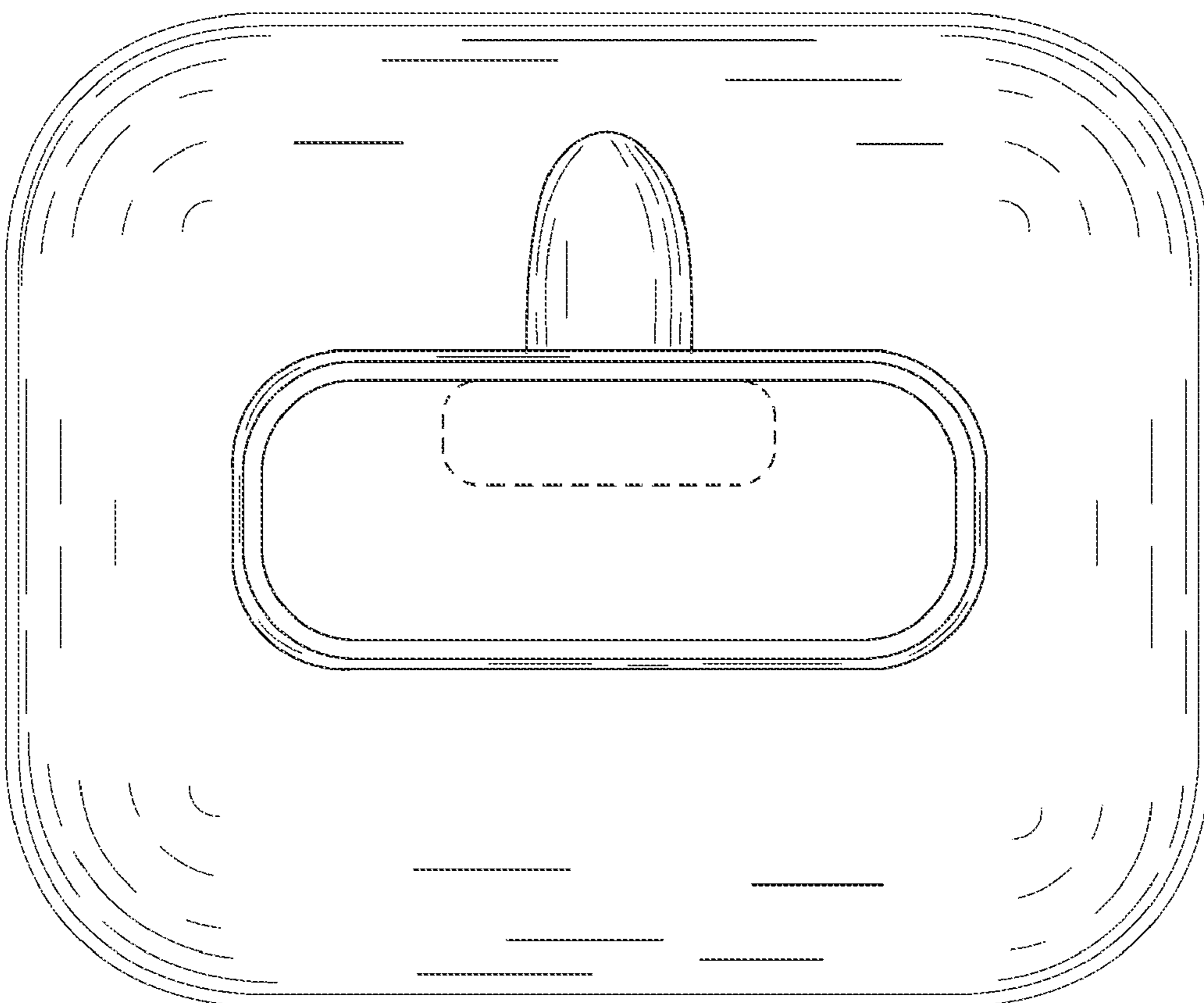


Fig. 5

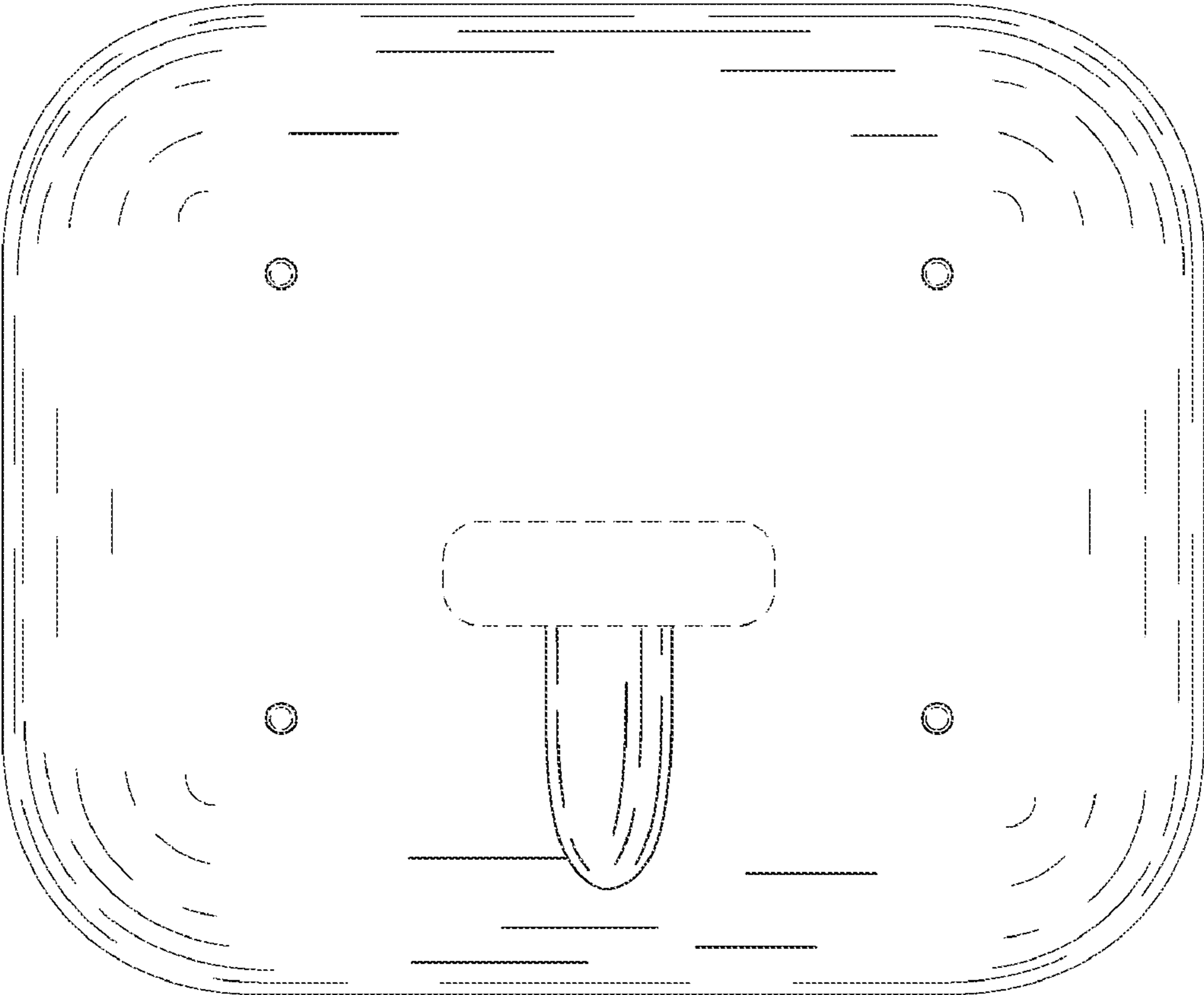


Fig. 6