



US00D623590S

(12) **United States Design Patent**  
**Otani et al.**

(10) **Patent No.:** **US D623,590 S**

(45) **Date of Patent:** **\*\* Sep. 14, 2010**

(54) **STORAGE BATTERY**

(75) Inventors: **Kazuumi Otani**, Kyoto (JP); **Takeshi Nabesaka**, Kyoto (JP)

(73) Assignee: **Nintendo Co., Ltd.**, Kyoto (JP)

(\*\*) Term: **14 Years**

(21) Appl. No.: **29/356,292**

(22) Filed: **Feb. 23, 2010**

(30) **Foreign Application Priority Data**

Aug. 25, 2009 (JP) ..... 2009-019453

(51) **LOC (9) Cl.** ..... **13-02**

(52) **U.S. Cl.** ..... **D13/103**

(58) **Field of Classification Search** ..... D13/102–106,  
D13/110, 118–119, 184, 199; 429/96–100,  
429/163, 176

See application file for complete search history.

(56) **References Cited**

**U.S. PATENT DOCUMENTS**

D344,061 S *	2/1994	Tse	.....	D13/103
D383,725 S *	9/1997	Settsu	.....	D13/103
D398,578 S *	9/1998	Chambers et al.	.....	D13/103
D399,484 S *	10/1998	Higgins et al.	.....	D13/103
D400,496 S *	11/1998	Barber et al.	.....	D13/103
D400,848 S *	11/1998	Clark et al.	.....	D13/103
D404,356 S *	1/1999	Higgins et al.	.....	D13/103
D409,975 S *	5/1999	Zeller	.....	D13/103
D411,165 S *	6/1999	Deslyper et al.	.....	D13/103
D439,877 S *	4/2001	Vacheron et al.	.....	D13/103
D444,448 S *	7/2001	Robinson et al.	.....	D13/103
D457,133 S	5/2002	Yoneyama		
D474,149 S *	5/2003	Kawahata et al.	.....	D13/103
D478,866 S	8/2003	Nakai		
D480,355 S *	10/2003	Pepin et al.	.....	D13/103
D481,995 S *	11/2003	Yokota	.....	D13/103
D509,182 S *	9/2005	Takeshita et al.	.....	D13/103

D516,019 S *	2/2006	Ohsako et al.	.....	D13/103
D516,503 S *	3/2006	Takeshita et al.	.....	D13/103
D538,222 S *	3/2007	Curello et al.	.....	D13/103
D538,226 S *	3/2007	Lyman et al.	.....	D13/119
D555,587 S	11/2007	Yamamoto et al.		
D585,366 S *	1/2009	Burchette	.....	D13/103
D590,334 S *	4/2009	Tatehata et al.	.....	D13/103
D590,336 S *	4/2009	Tatehata et al.	.....	D13/103
D590,337 S *	4/2009	Tatehata et al.	.....	D13/103
D590,769 S *	4/2009	Tatehata et al.	.....	D13/103
D592,130 S *	5/2009	Tatehata et al.	.....	D13/103
D594,402 S *	6/2009	Inoue et al.	.....	D13/103
D597,483 S *	8/2009	Wahl et al.	.....	D13/103
D601,494 S *	10/2009	Otani et al.	.....	D13/103
D614,124 S *	4/2010	Mistyurik	.....	D13/103
2005/0208345 A1 *	9/2005	Yoon et al.	.....	429/7
2008/0254348 A1 *	10/2008	Hatta et al.	.....	429/94
2008/0292954 A1 *	11/2008	Park	.....	429/163
2009/0202893 A1 *	8/2009	Ishihara et al.	.....	429/98

\* cited by examiner

*Primary Examiner*—Rosemary K Tarcza

(74) *Attorney, Agent, or Firm*—Nixon & Vanderhye, P.C.

(57) **CLAIM**

The ornamental design for a storage battery, as shown and described.

**DESCRIPTION**

FIG. 1 is a front, top and right perspective view of a storage battery of our new design;

FIG. 2 is a rear, bottom and left perspective view thereof;

FIG. 3 is a front view thereof;

FIG. 4 is a rear view thereof;

FIG. 5 is a right side view thereof, a left side view being a mirror image thereof;

FIG. 6 is a top plan view thereof; and,

FIG. 7 is a bottom plan view thereof.

**1 Claim, 2 Drawing Sheets**

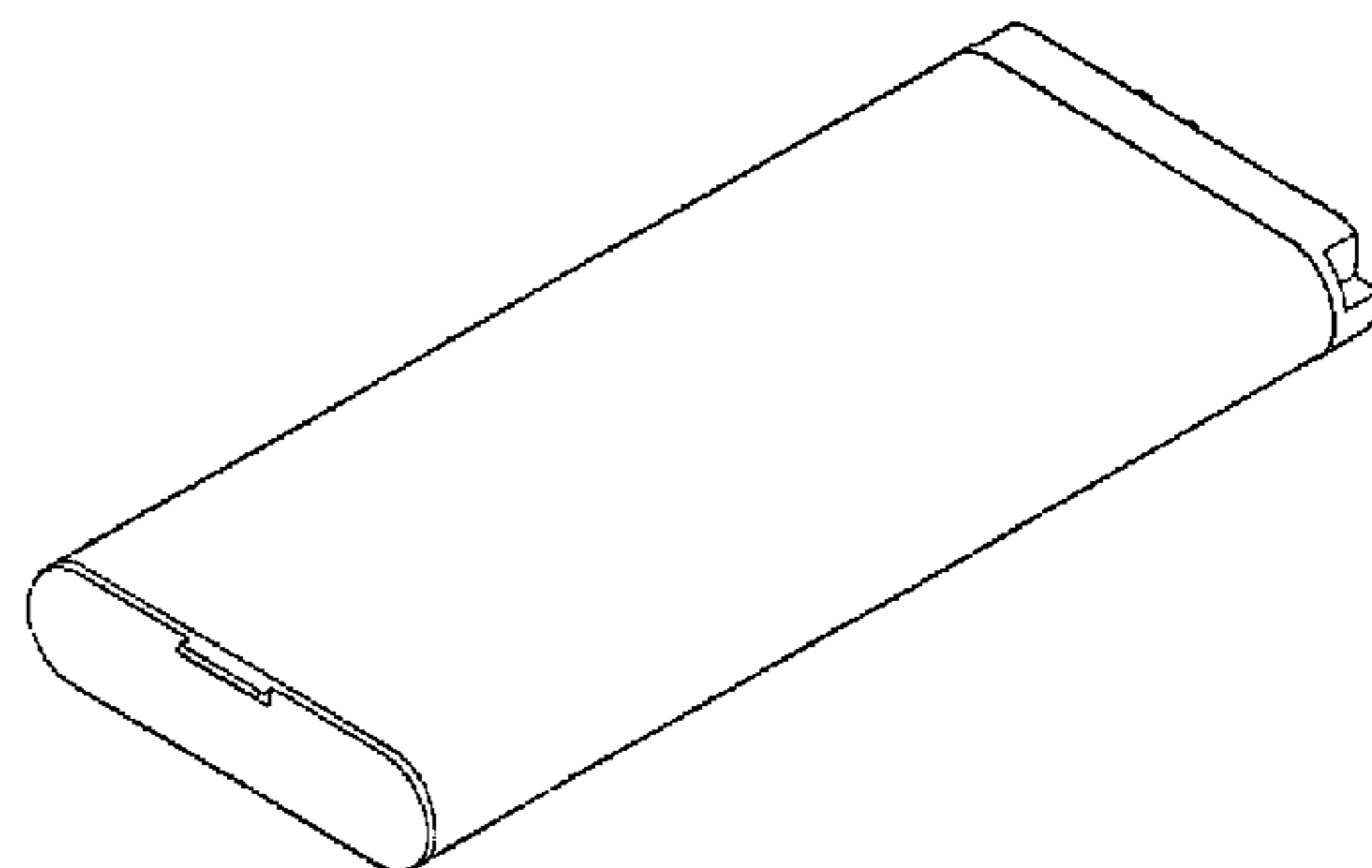
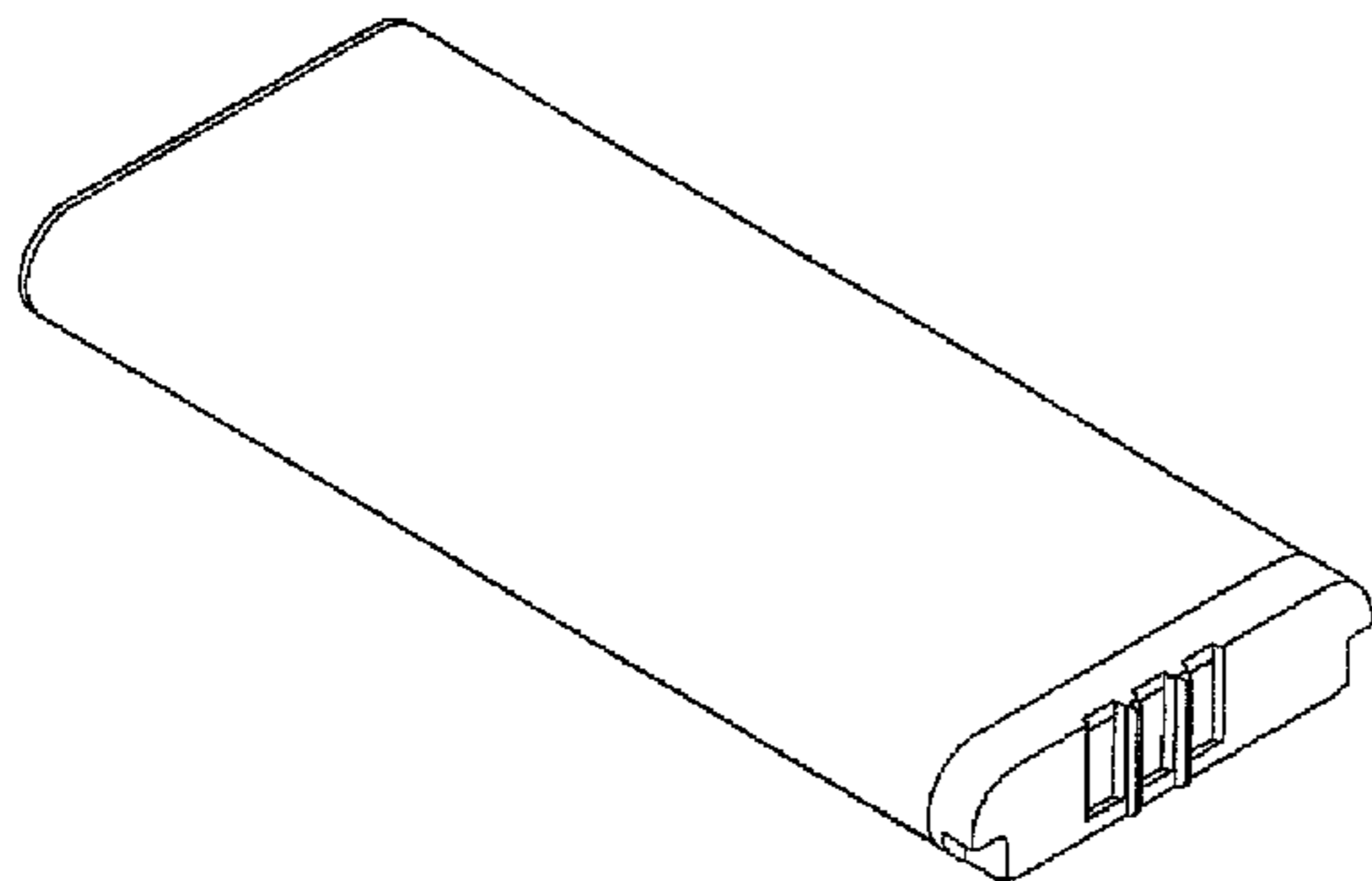


FIG. 1

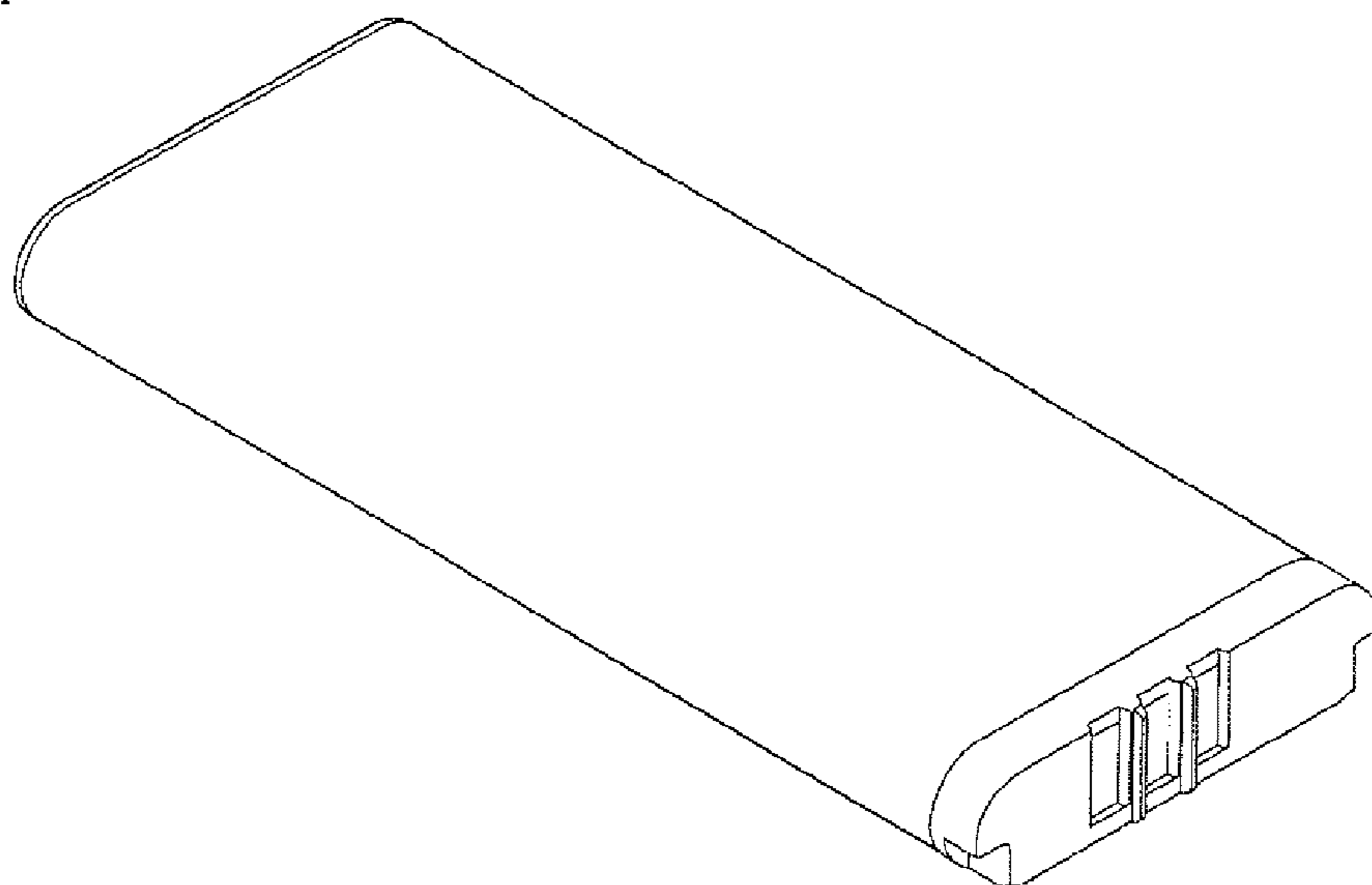


FIG. 2

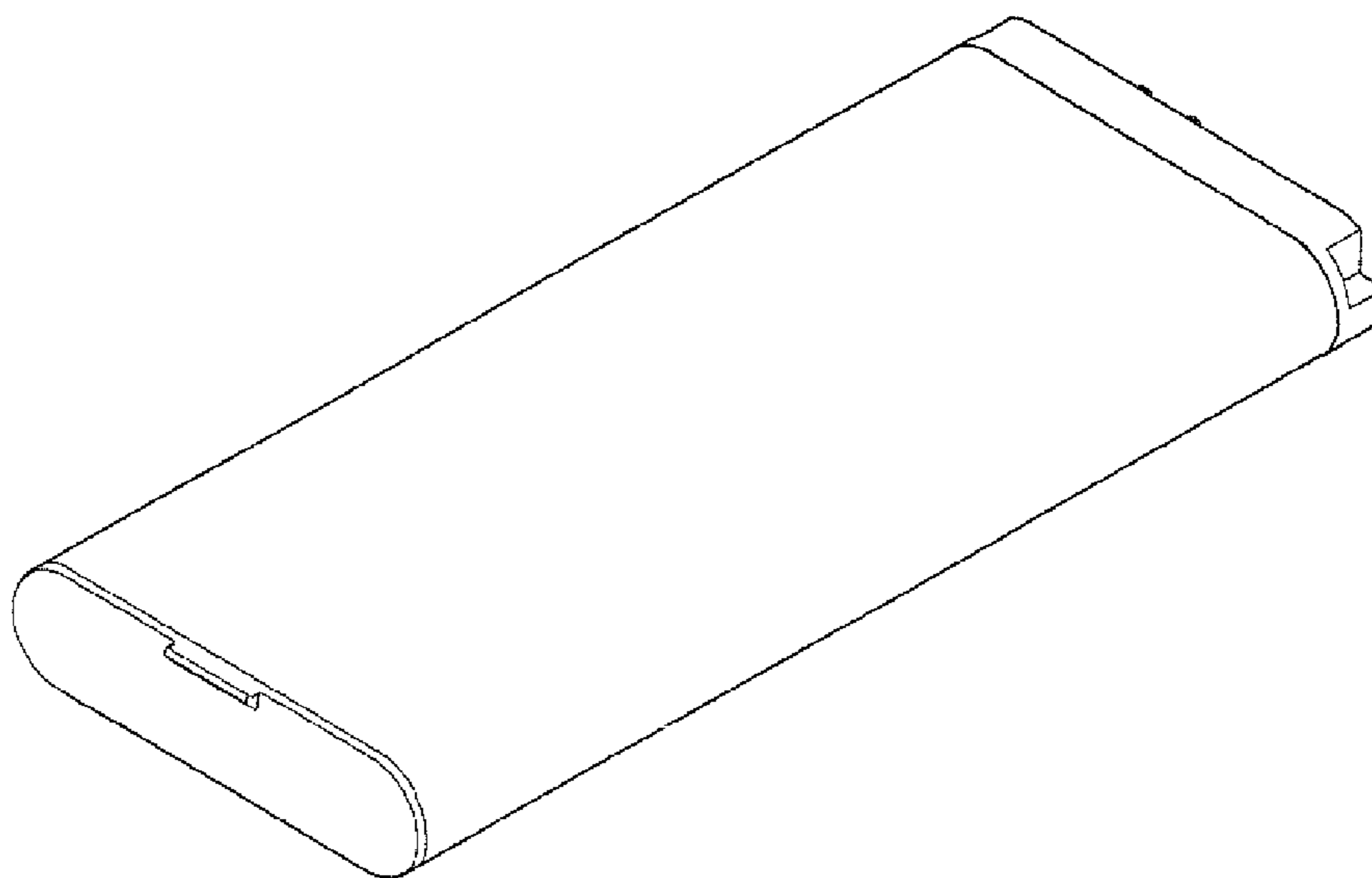


FIG. 3

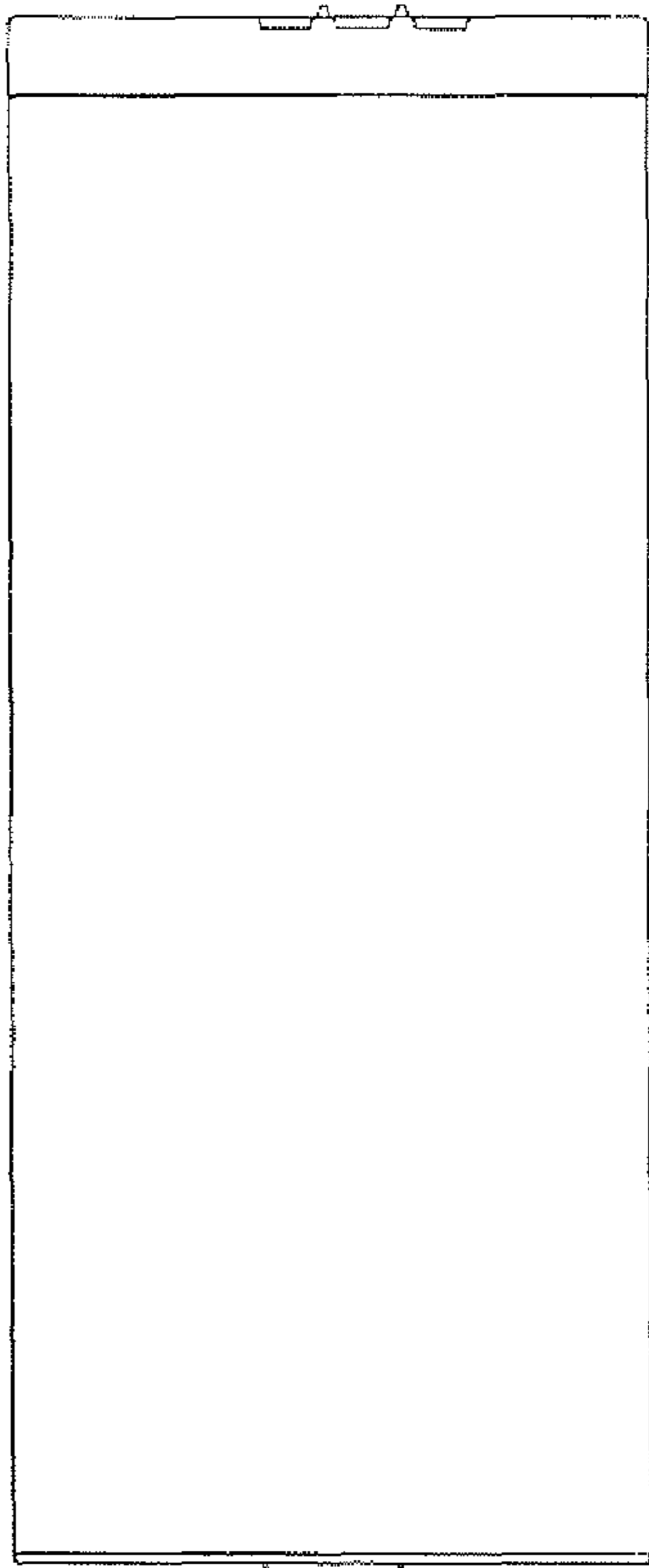


FIG. 4

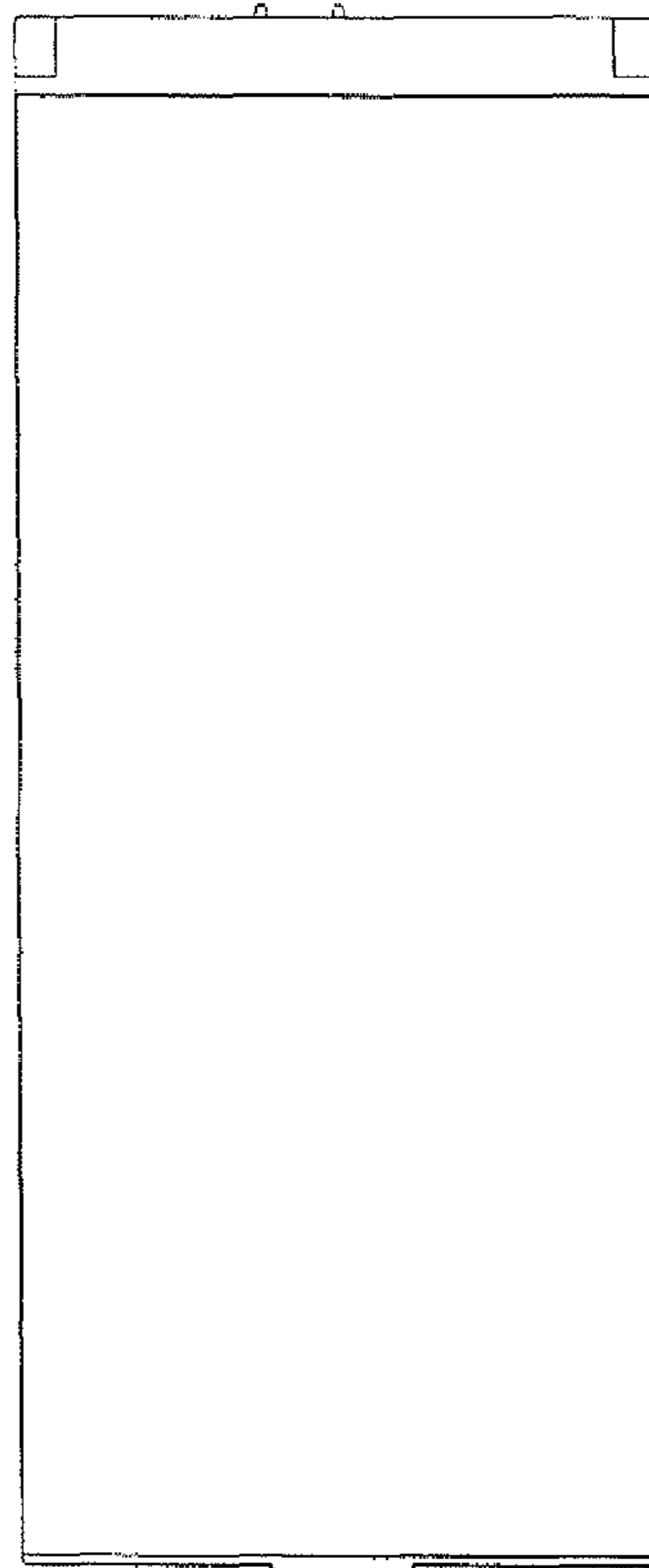


FIG. 5

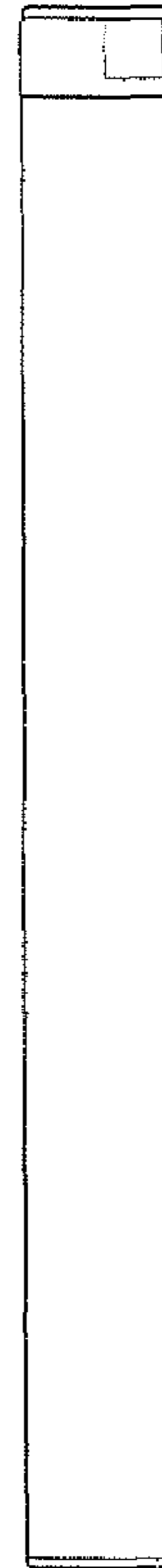


FIG. 6

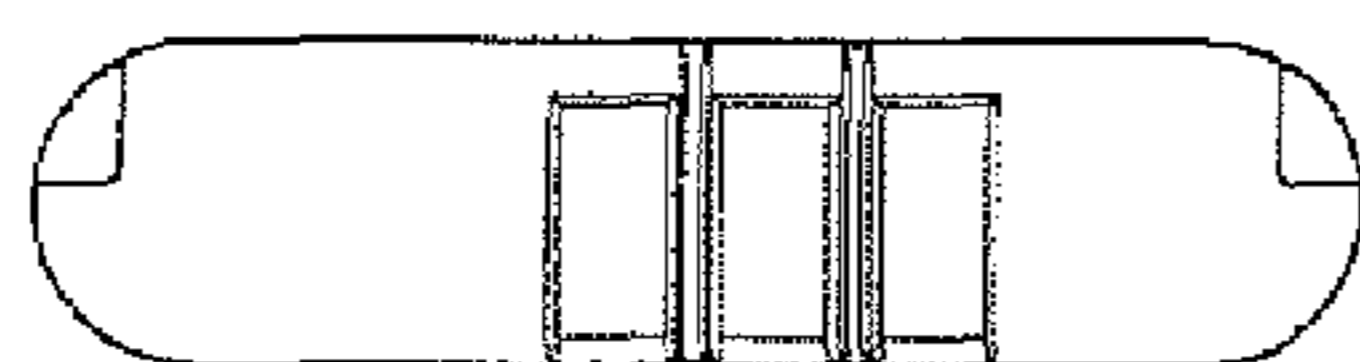


FIG. 7

